



US00D952360S

(12) **United States Design Patent**
Zhao

(10) **Patent No.:** **US D952,360 S**
(45) **Date of Patent:** **** May 24, 2022**

- (54) **ELECTRONIC PHOTO FRAME**
- (71) Applicant: **Shenzhen Gaoxinde Electronic Commerce Co., Ltd.**, Guangdong (CN)
- (72) Inventor: **Jingdan Zhao**, Guangdong (CN)
- (73) Assignee: **Shenzhen Gaoxinde Electronic Commerce Co., Ltd.**, Guangdong (CN)
- (**) Term: **15 Years**
- (21) Appl. No.: **29/779,002**
- (22) Filed: **Apr. 15, 2021**
- (51) **LOC (13) Cl.** **06-07**
- (52) **U.S. Cl.**
USPC **D6/310; D14/230**
- (58) **Field of Classification Search**
USPC **D6/300–314**
CPC . **A47G 1/00; A47G 1/06; A47G 1/005; A47G 1/0627; A47G 1/0638; A47G 1/14; A47G 1/141; A47G 1/142; A47G 1/10; A47G 1/0633**
See application file for complete search history.

- D884,367 S * 5/2020 Gao D14/371
- D901,192 S * 11/2020 Wang D14/371
- D905,974 S * 12/2020 Chen D14/341
- D908,371 S 1/2021 Wang
- D908,372 S * 1/2021 Wang D6/300
- D909,078 S 2/2021 Wang
- D919,307 S * 5/2021 Ross, III D14/230
- D936,978 S * 11/2021 Peng D6/308

* cited by examiner

Primary Examiner — Deanna L Pratt
(74) *Attorney, Agent, or Firm* — ScienBiziP, P.C.

(57) **CLAIM**

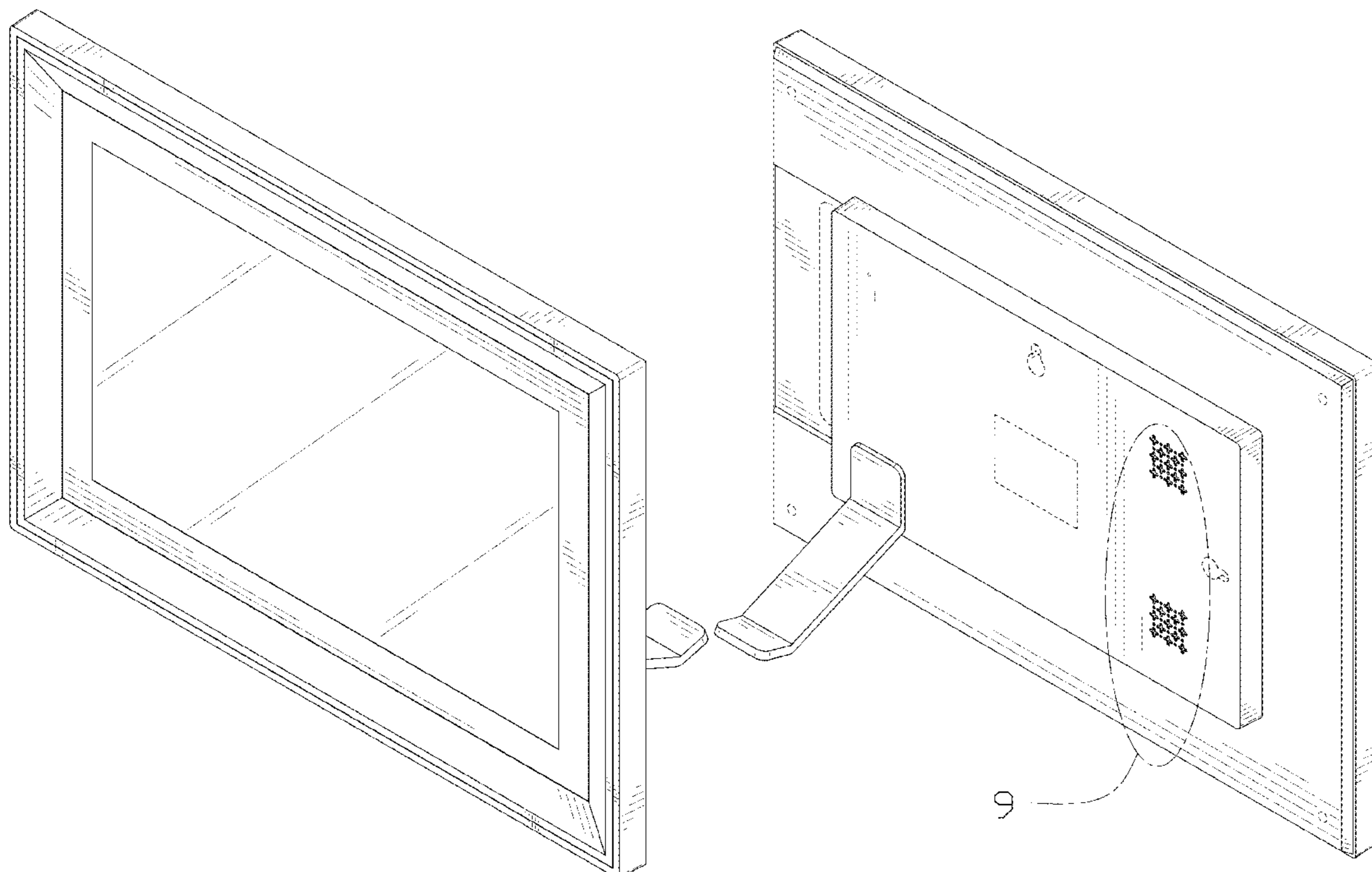
The ornamental design for an electronic photo frame, as shown and described.

DESCRIPTION

FIG. 1 is a front, right, and top perspective view of an electronic photo frame, showing my design.
 FIG. 2 is a rear, left, and top perspective view thereof.
 FIG. 3 is a front elevation view thereof.
 FIG. 4 is a rear elevation view thereof.
 FIG. 5 is a left side elevation view thereof.
 FIG. 6 is a right side elevation view thereof.
 FIG. 7 is a top plan view thereof.
 FIG. 8 is a bottom plan view thereof; and,
 FIG. 9 is a partial enlarged view of an area labeled 9 in FIG. 2 comprising a back wall.
 The broken lines shown in the drawings are included for the purpose of illustrating portions of the electronic photo frame that form no part of the claimed design.

1 Claim, 9 Drawing Sheets

- (56) **References Cited**
U.S. PATENT DOCUMENTS
- D560,371 S * 1/2008 Liu D6/300
- D602,259 S * 10/2009 Finnegan D14/371
- D613,510 S * 4/2010 Tzeng D14/371
- D618,463 S * 6/2010 Nagase D6/310
- D811,752 S * 3/2018 Ross, III D14/230
- D882,966 S * 5/2020 Jiang D14/371
- D884,366 S * 5/2020 Gao D14/371



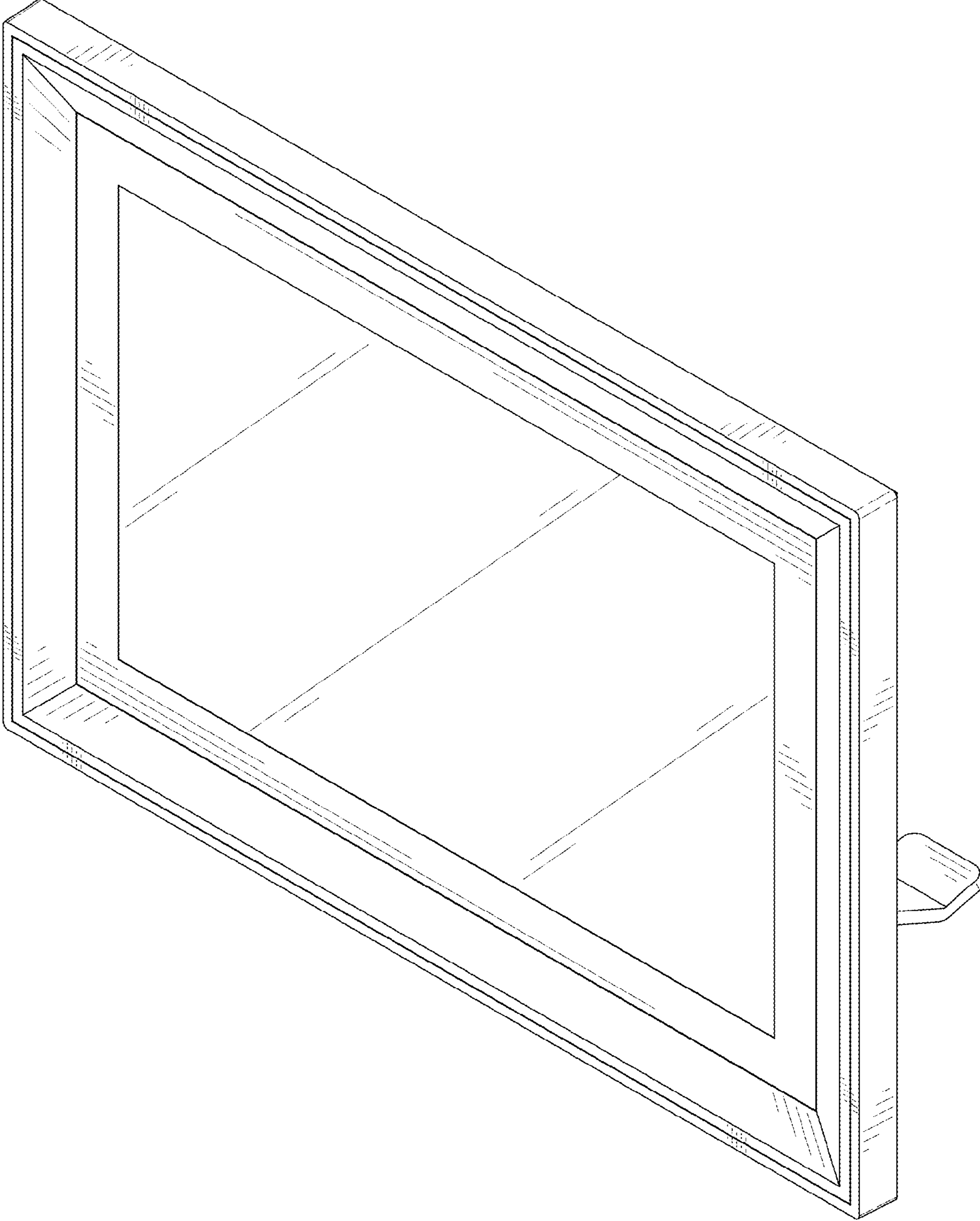
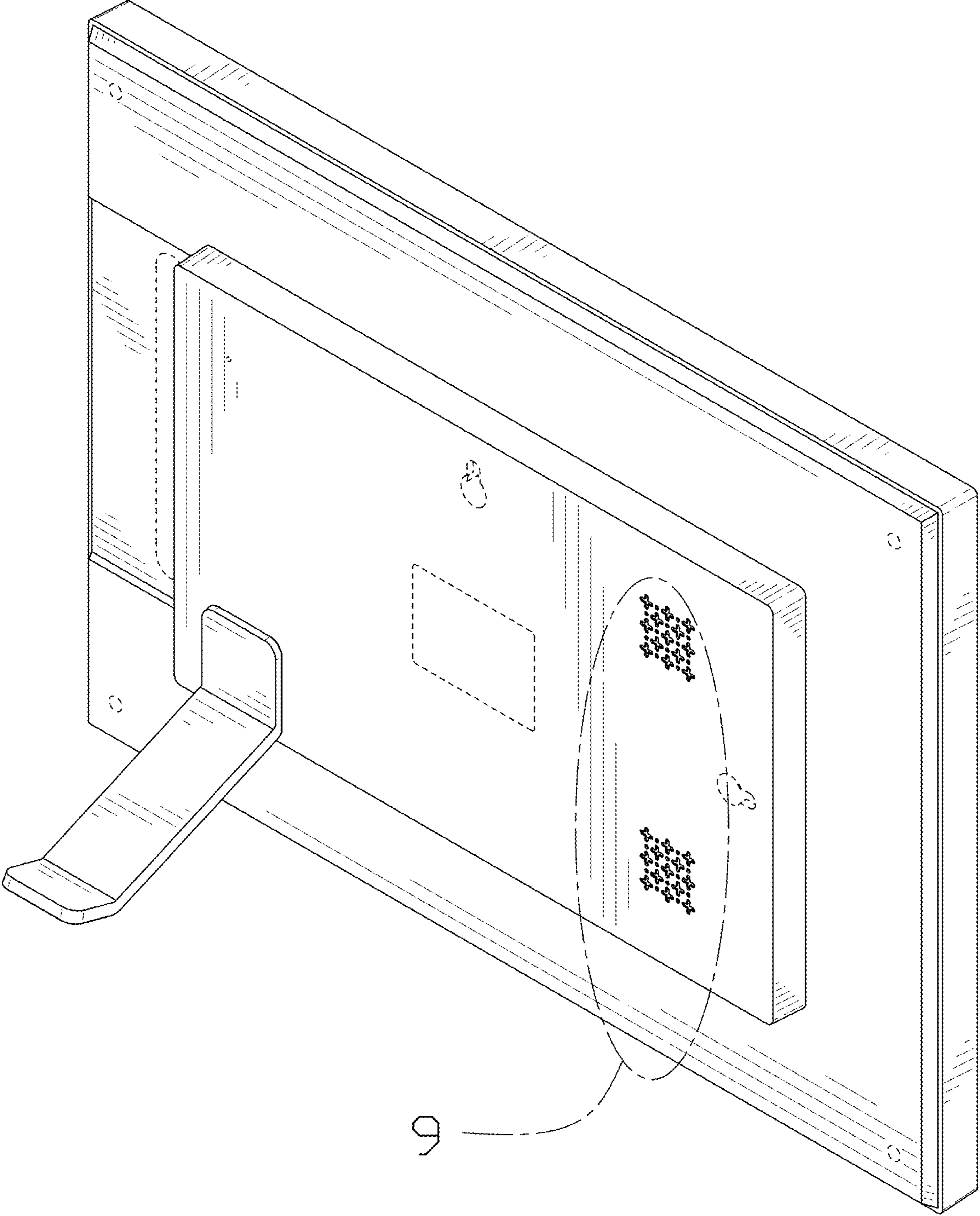


FIG. 1



9

FIG. 2

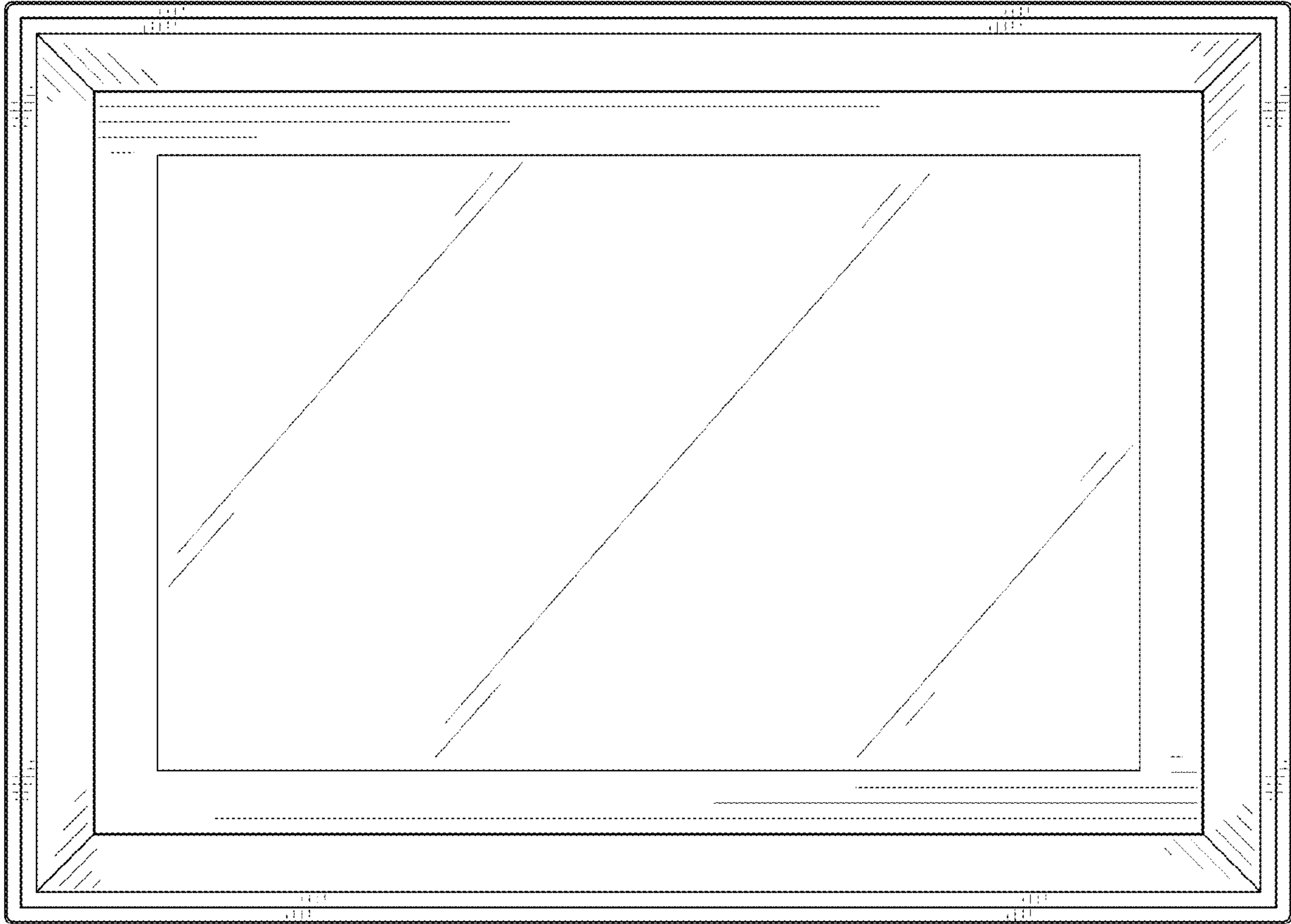


FIG. 3

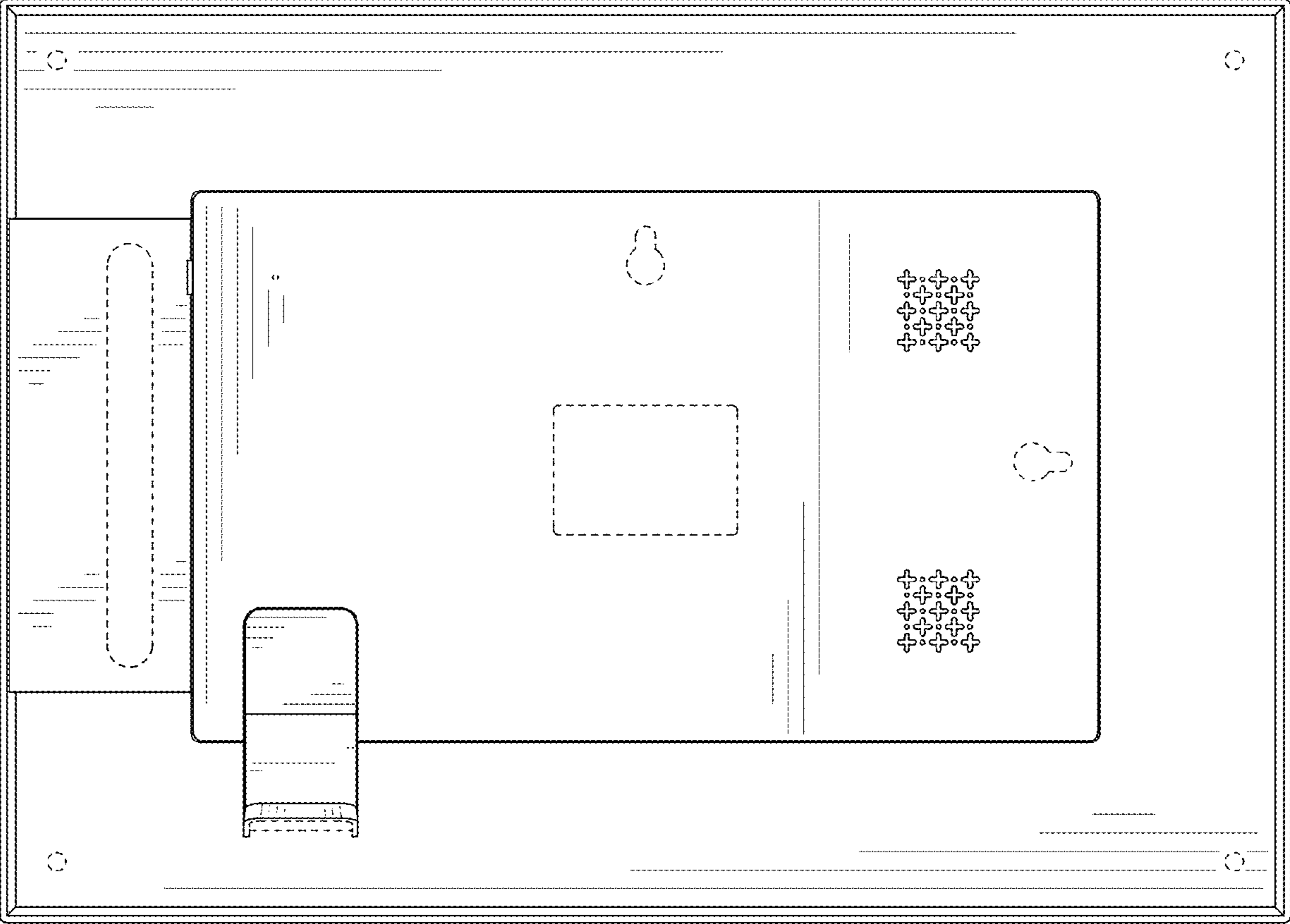


FIG. 4

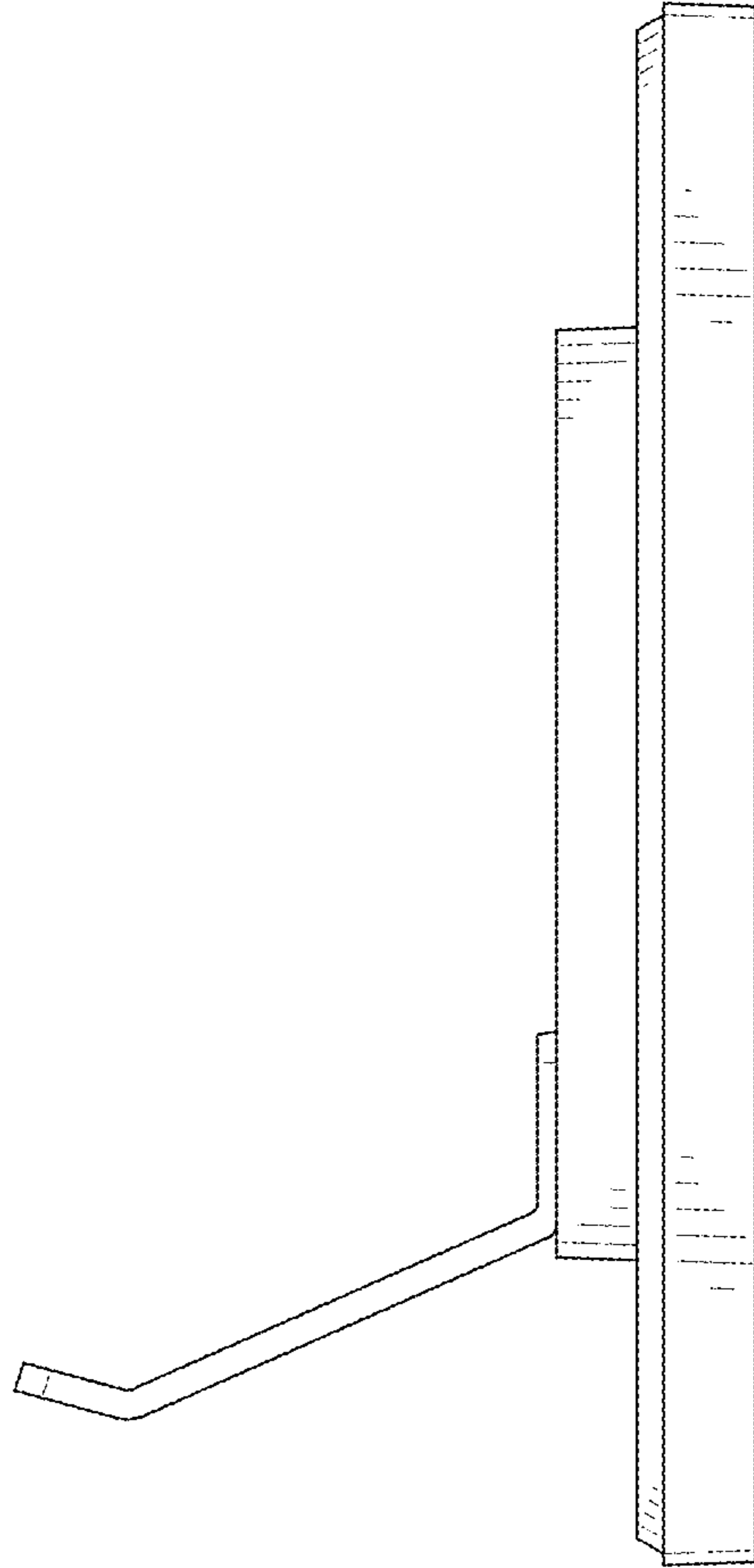


FIG. 5

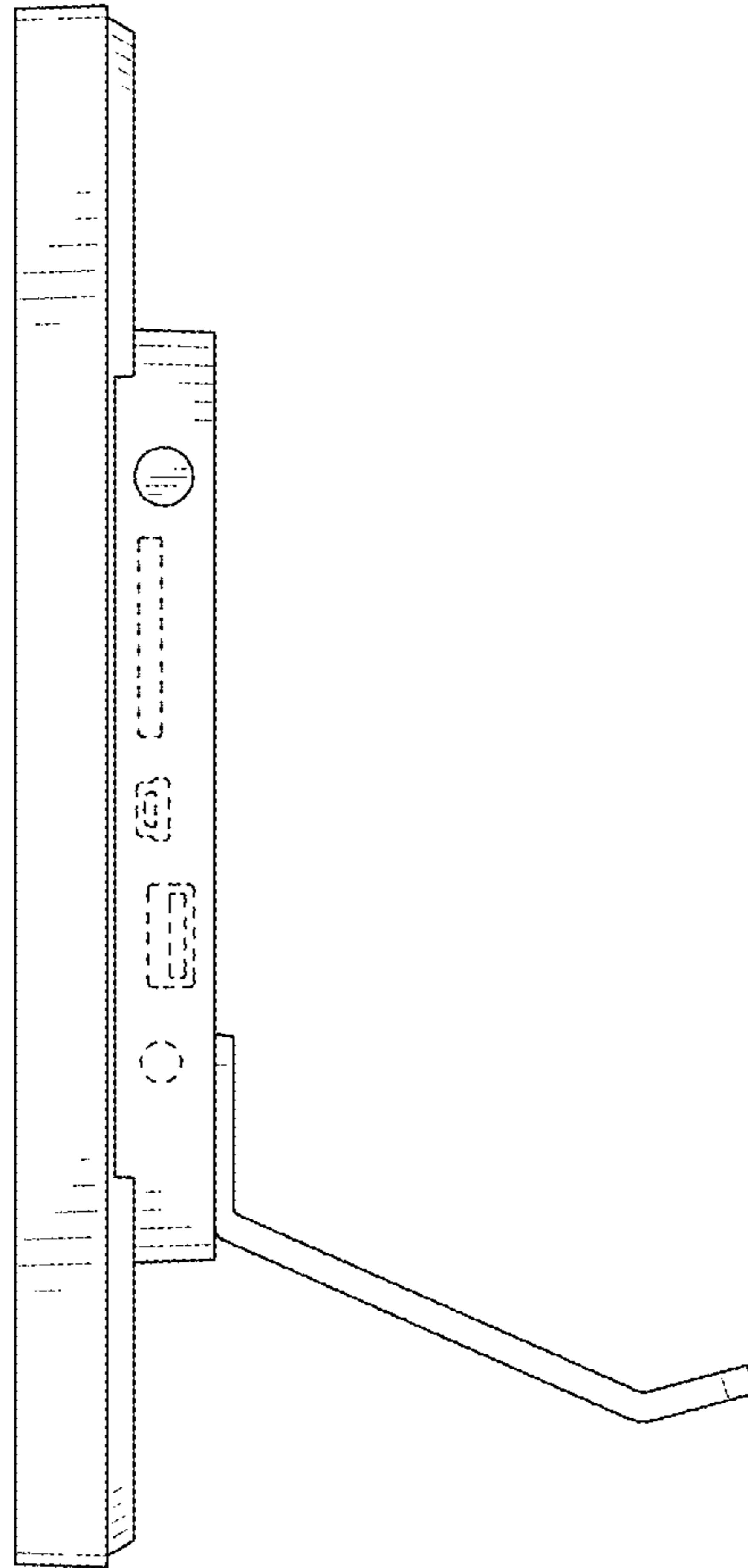


FIG. 6

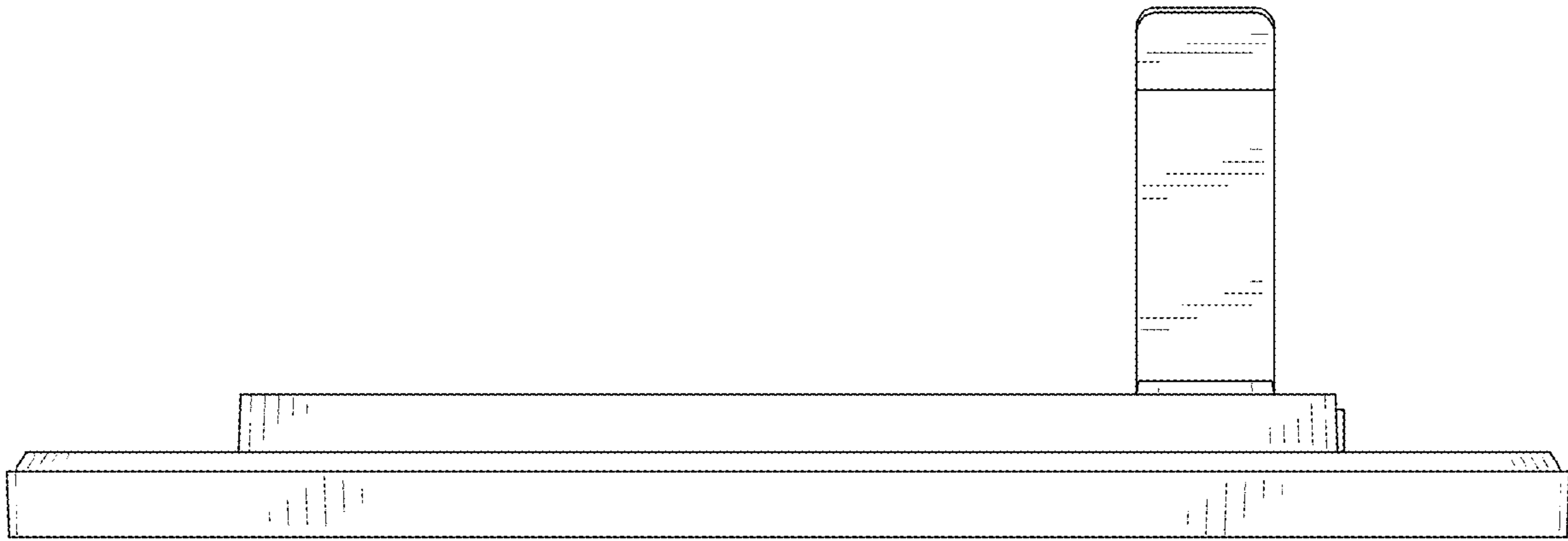


FIG. 7

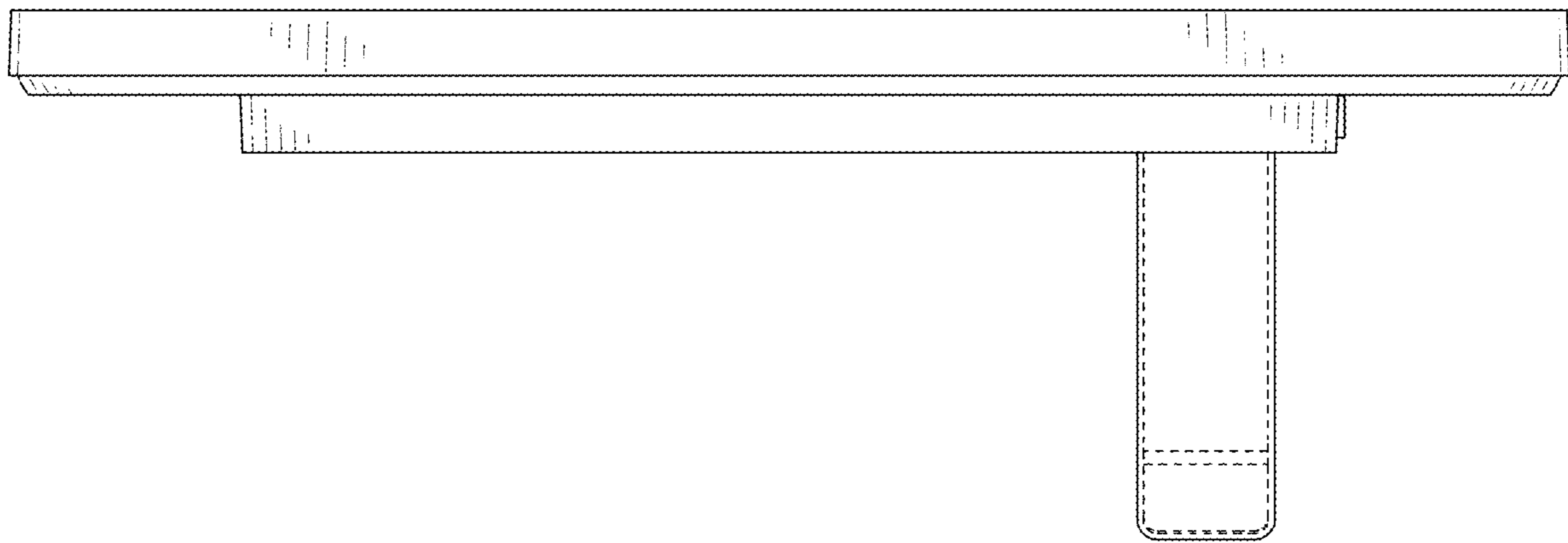


FIG. 8

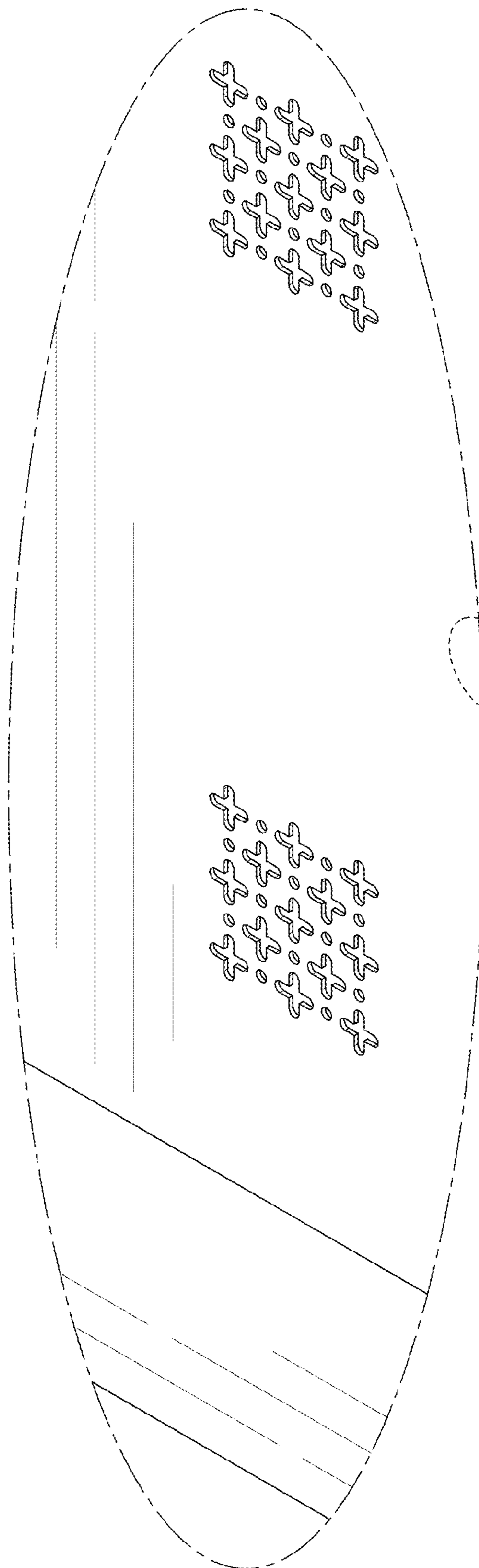


FIG. 9