



US00D952359S

(12) **United States Design Patent**
Yang et al.

(10) **Patent No.:** **US D952,359 S**

(45) **Date of Patent:** **** May 24, 2022**

(54) **MAKEUP MIRROR**
(71) Applicant: **DONGGUAN POWERME PLASTIC MFG. CO., LTD.**, Dongguan (CN)

(72) Inventors: **Guoxiang Yang**, Dongguan (CN);
Guowei Yang, Dongguan (CN)

(73) Assignee: **DONGGUAN POWERME PLASTIC MFG. CO., LTD.**, Dongguan (CN)

(**) Term: **15 Years**

(21) Appl. No.: **29/794,678**

(22) Filed: **Jun. 15, 2021**

(51) **LOC (13) Cl.** **06-07**

(52) **U.S. Cl.**
USPC **D6/309**

(58) **Field of Classification Search**
USPC D6/300-314
CPC A47G 1/00; A47G 2001/002; A45D 42/10;
F21V 33/004
See application file for complete search history.

(56) **References Cited**

U.S. PATENT DOCUMENTS

D840,699 S * 2/2019 Xie D6/309
D865,374 S 11/2019 Yang

D869,863 S * 12/2019 Liu D6/309
D871,084 S * 12/2019 Pestl D6/309
D874,161 S * 2/2020 Yang D6/309
D880,171 S 4/2020 Yang
D898,383 S * 10/2020 Zhou D6/300
D945,780 S * 3/2022 Liu D6/309
2019/0003699 A1* 1/2019 Mondora A45D 42/10

* cited by examiner

Primary Examiner — Deanna L Pratt

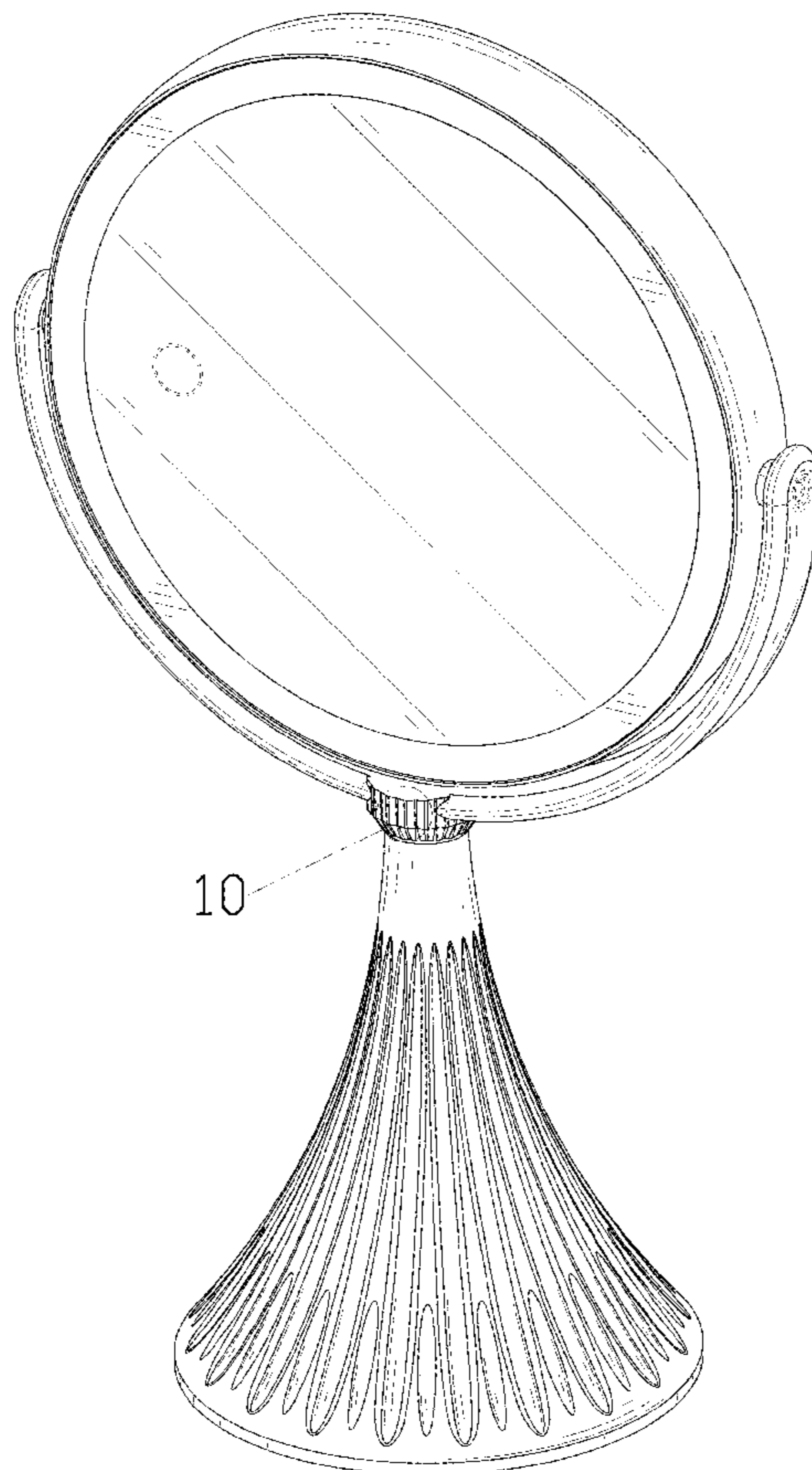
(57) **CLAIM**

The ornamental design for a makeup mirror, as shown and described.

DESCRIPTION

FIG. 1 is a perspective view of a makeup mirror showing my new design;
FIG. 2 is another perspective view thereof;
FIG. 3 is a front elevational view thereof;
FIG. 4 is a rear elevational view thereof;
FIG. 5 is a left side elevational view thereof;
FIG. 6 is a right side elevational view thereof;
FIG. 7 is a top plan view thereof;
FIG. 8 is a bottom plan view thereof;
FIG. 9 is a perspective view of the makeup mirror where the makeup mirror is in a configuration of use; and,
FIG. 10 is an enlarged view of portion 10 shown in FIG. 1.
The broken lines in the drawings depict portions of the makeup mirror that form no part of the claimed design.

1 Claim, 10 Drawing Sheets



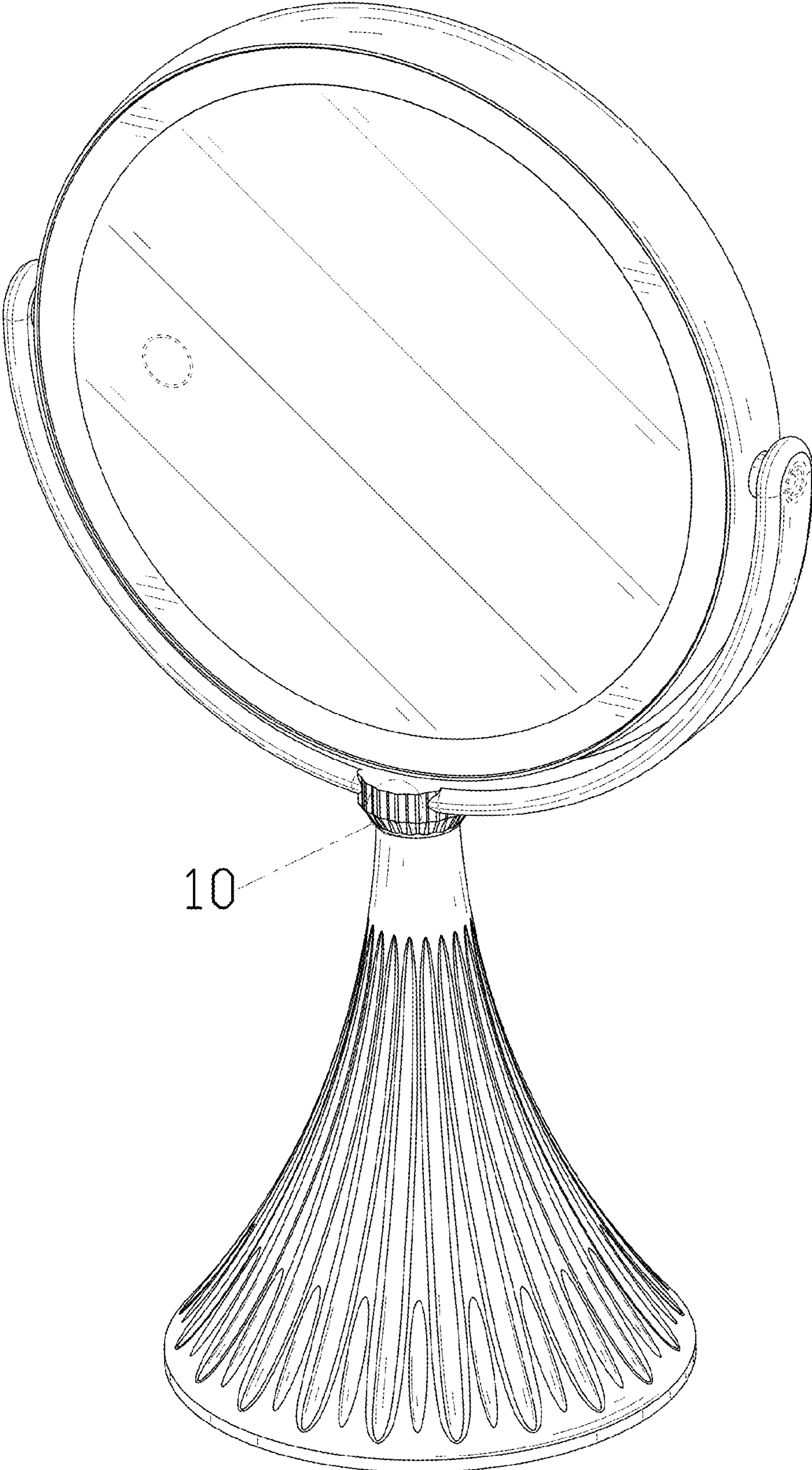


FIG. 1

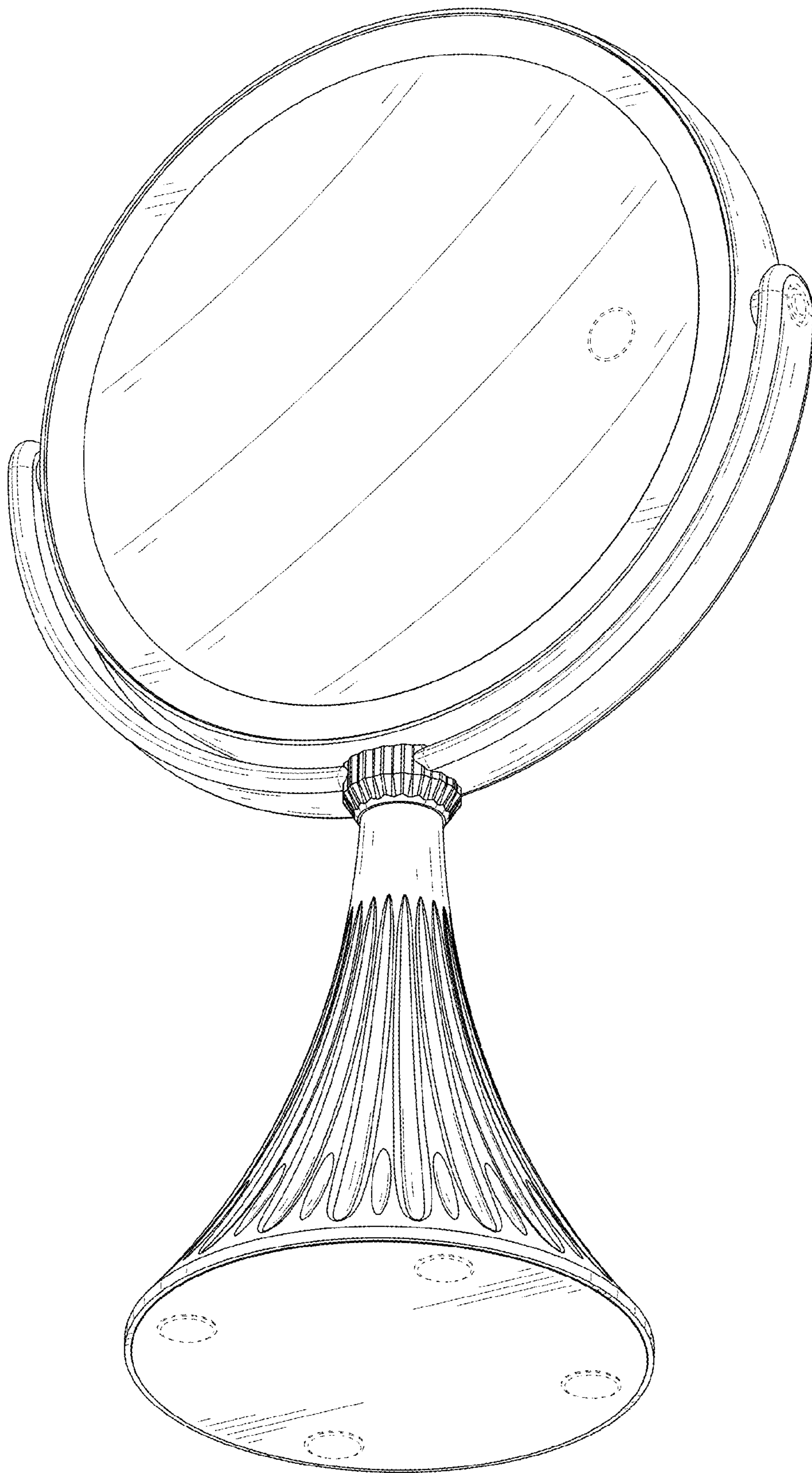


FIG. 2

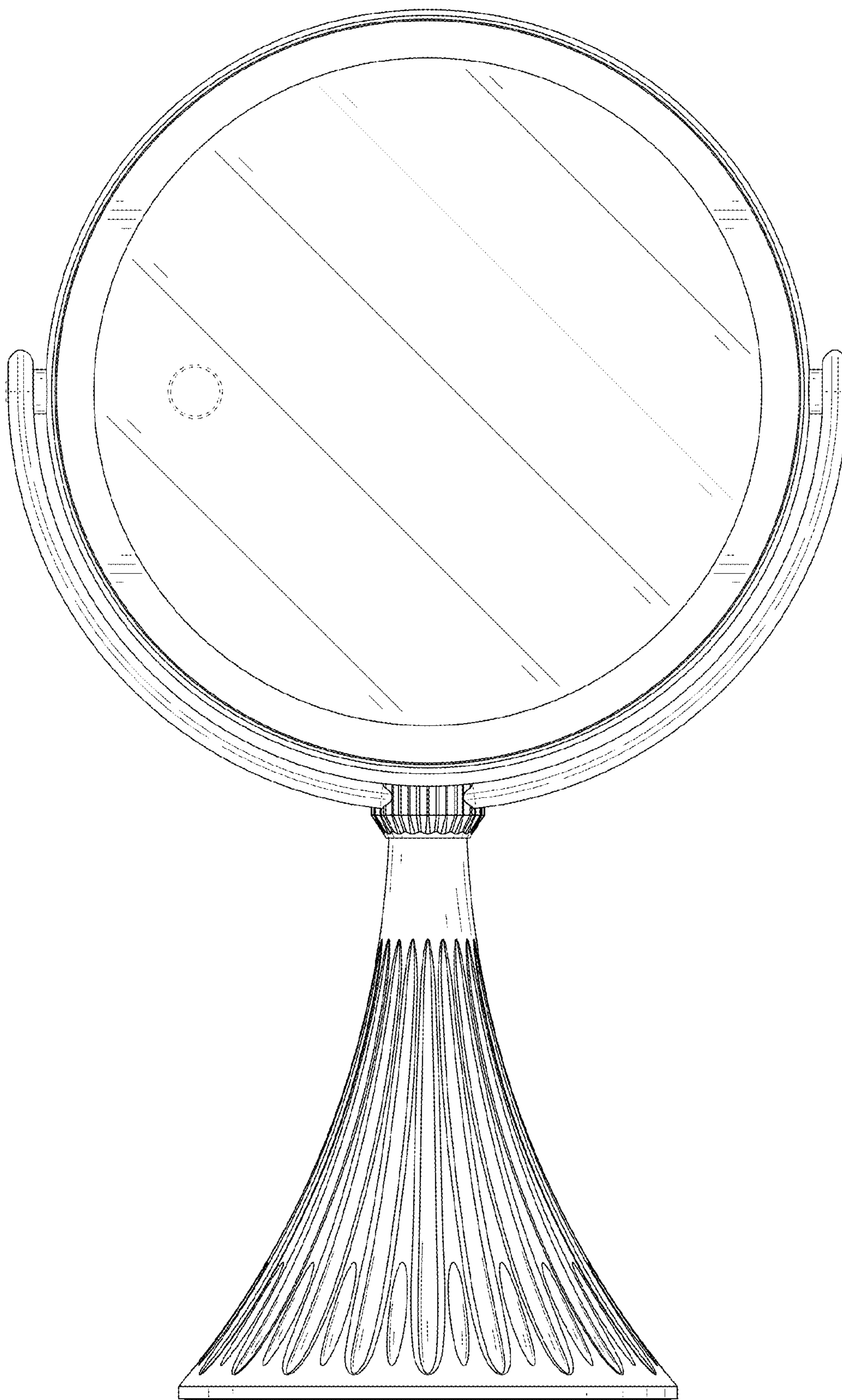


FIG. 3

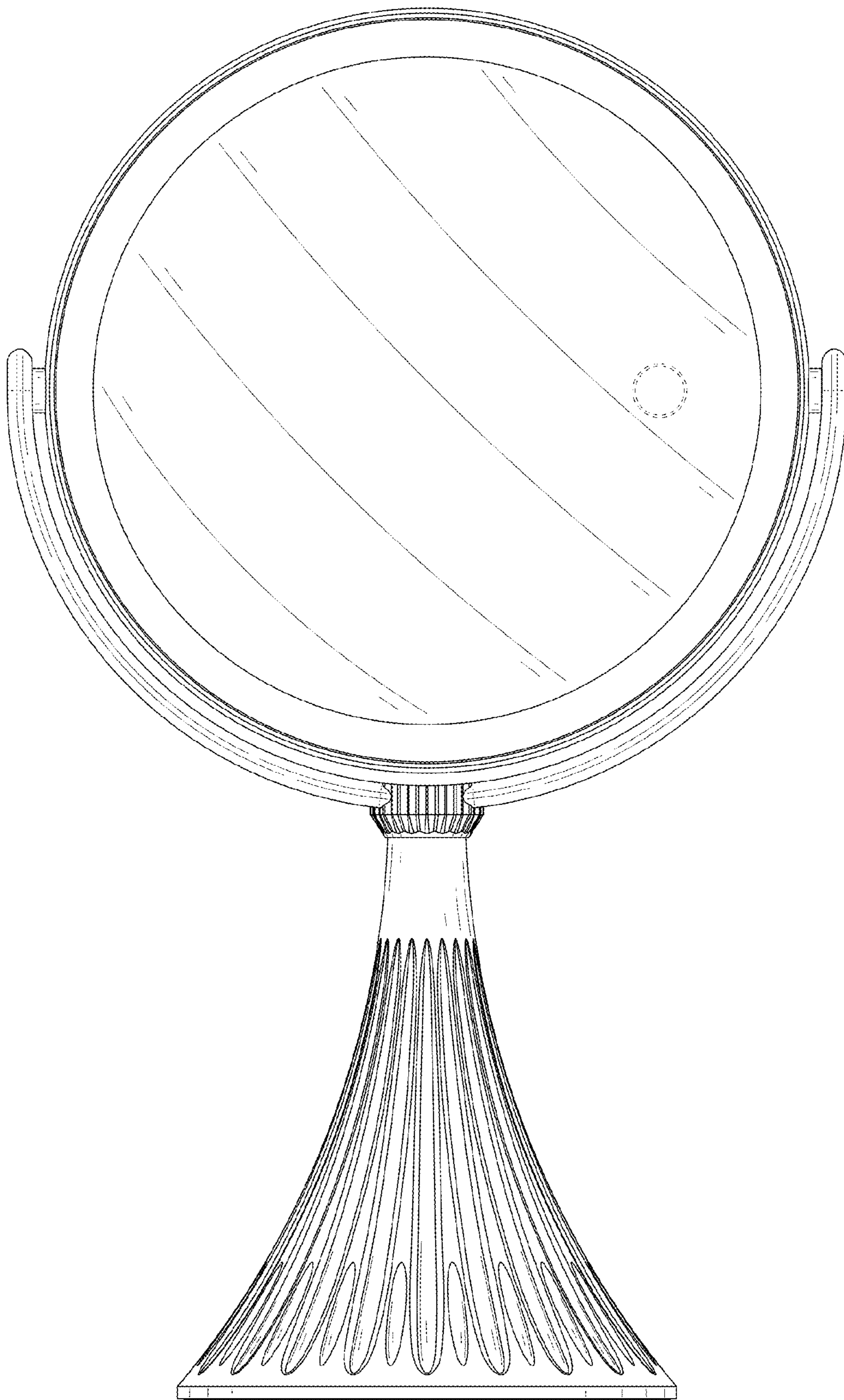


FIG. 4

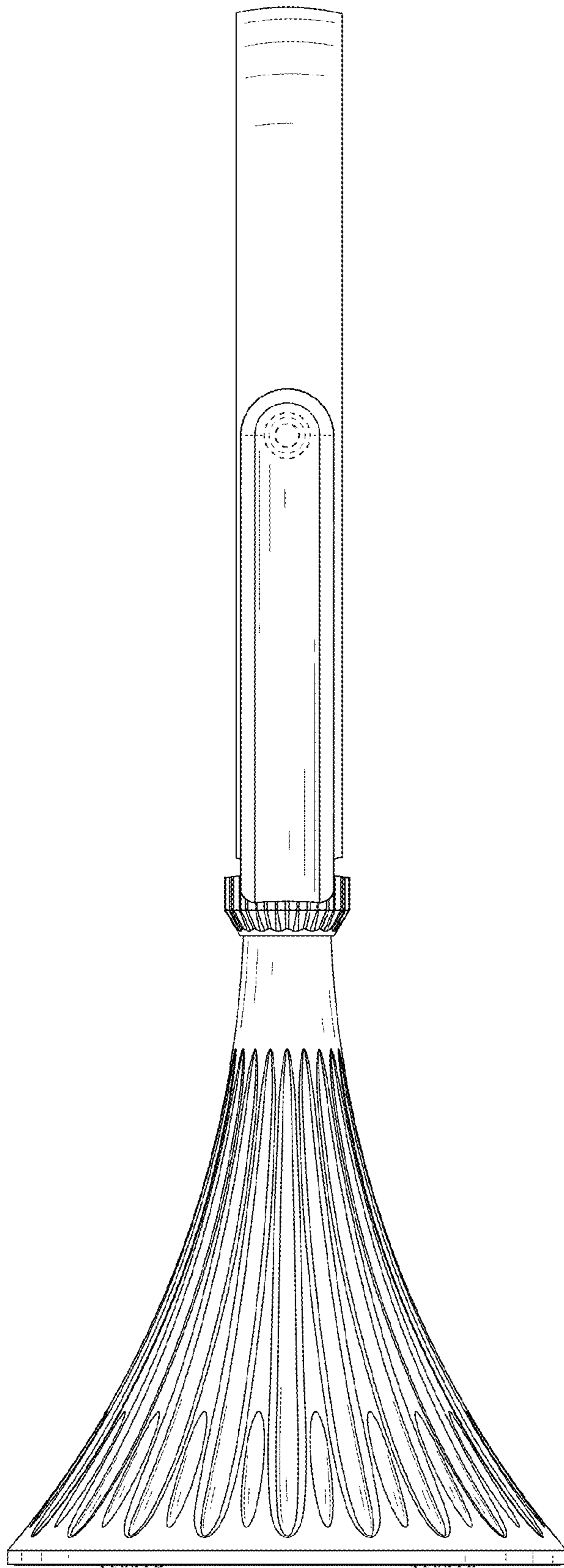


FIG. 5

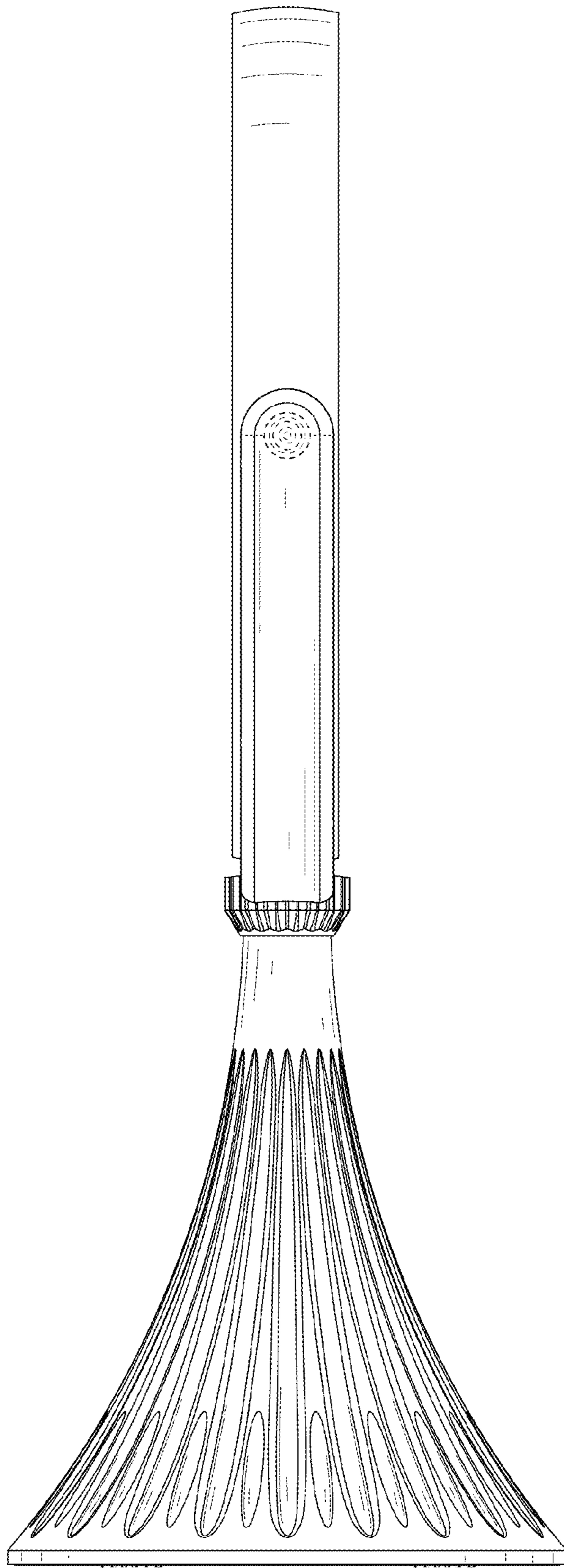


FIG. 6

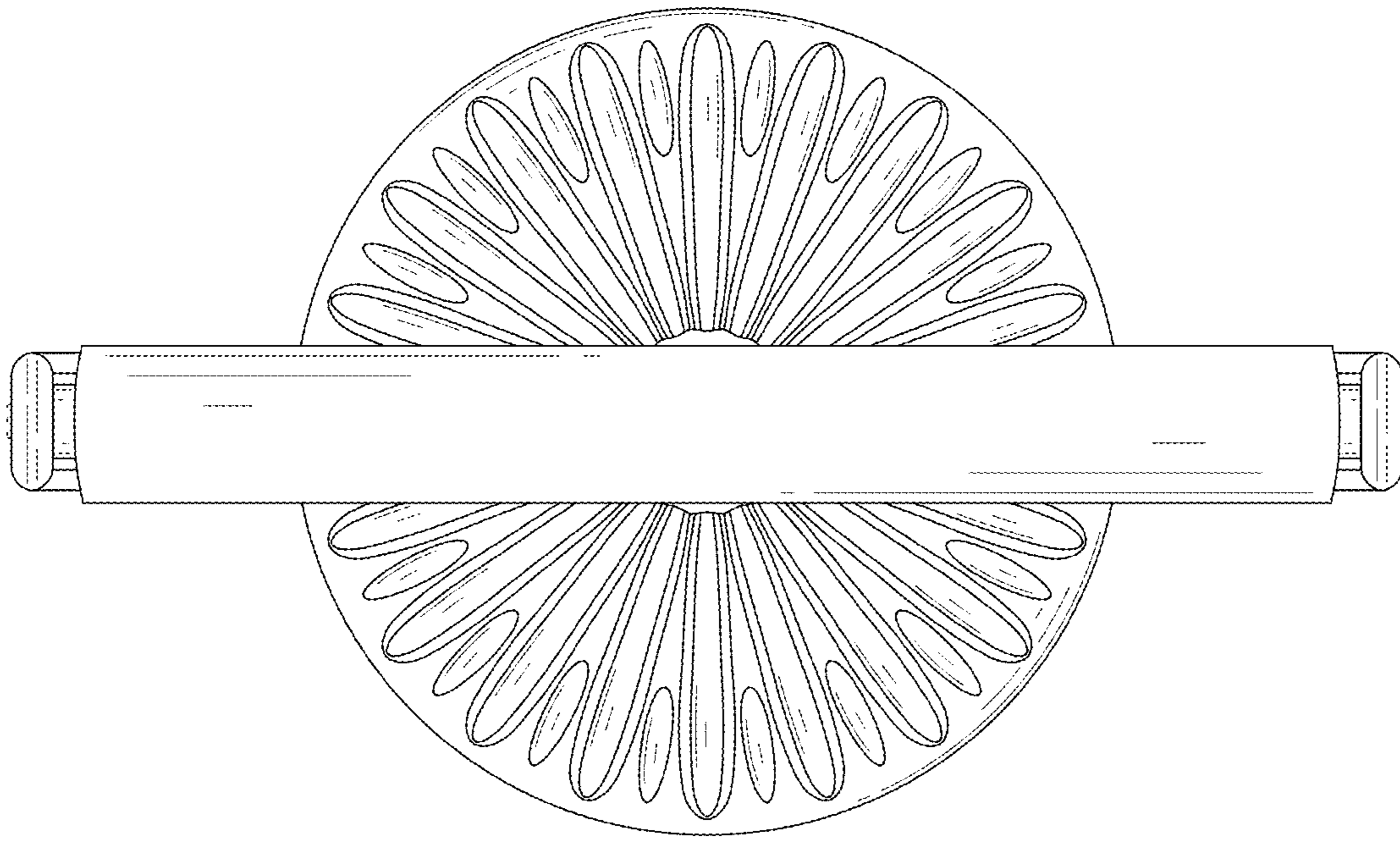


FIG. 7

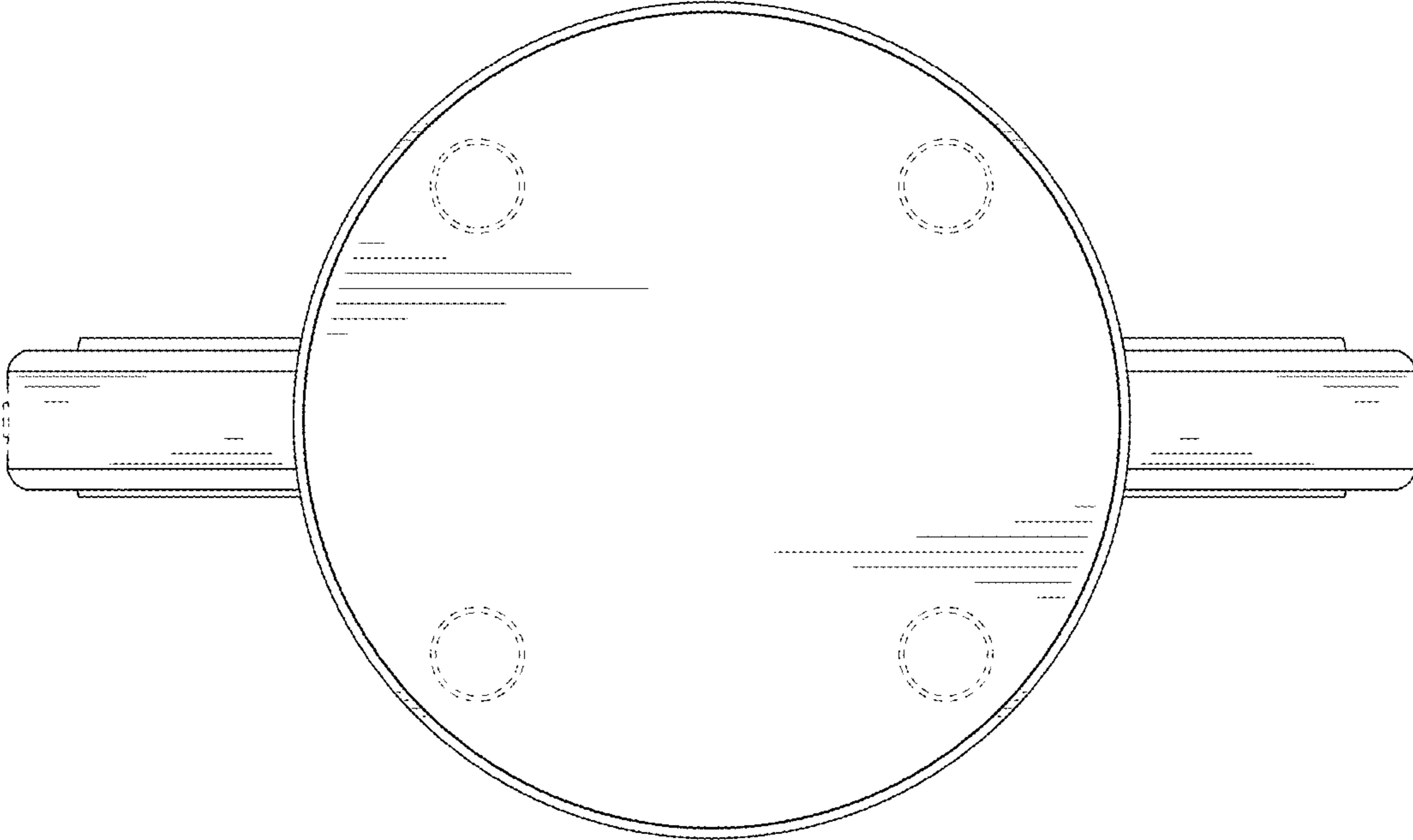


FIG. 8

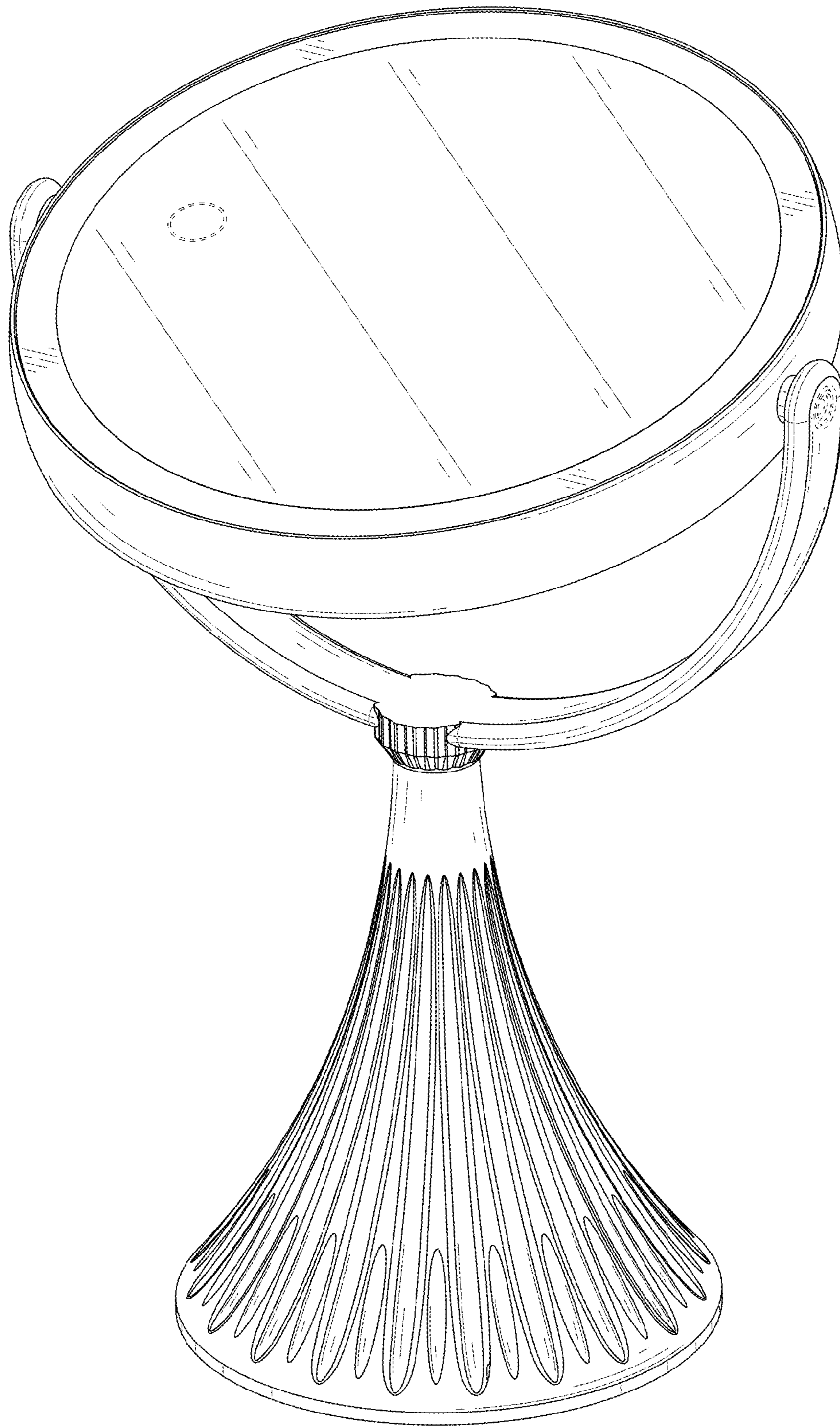


FIG. 9

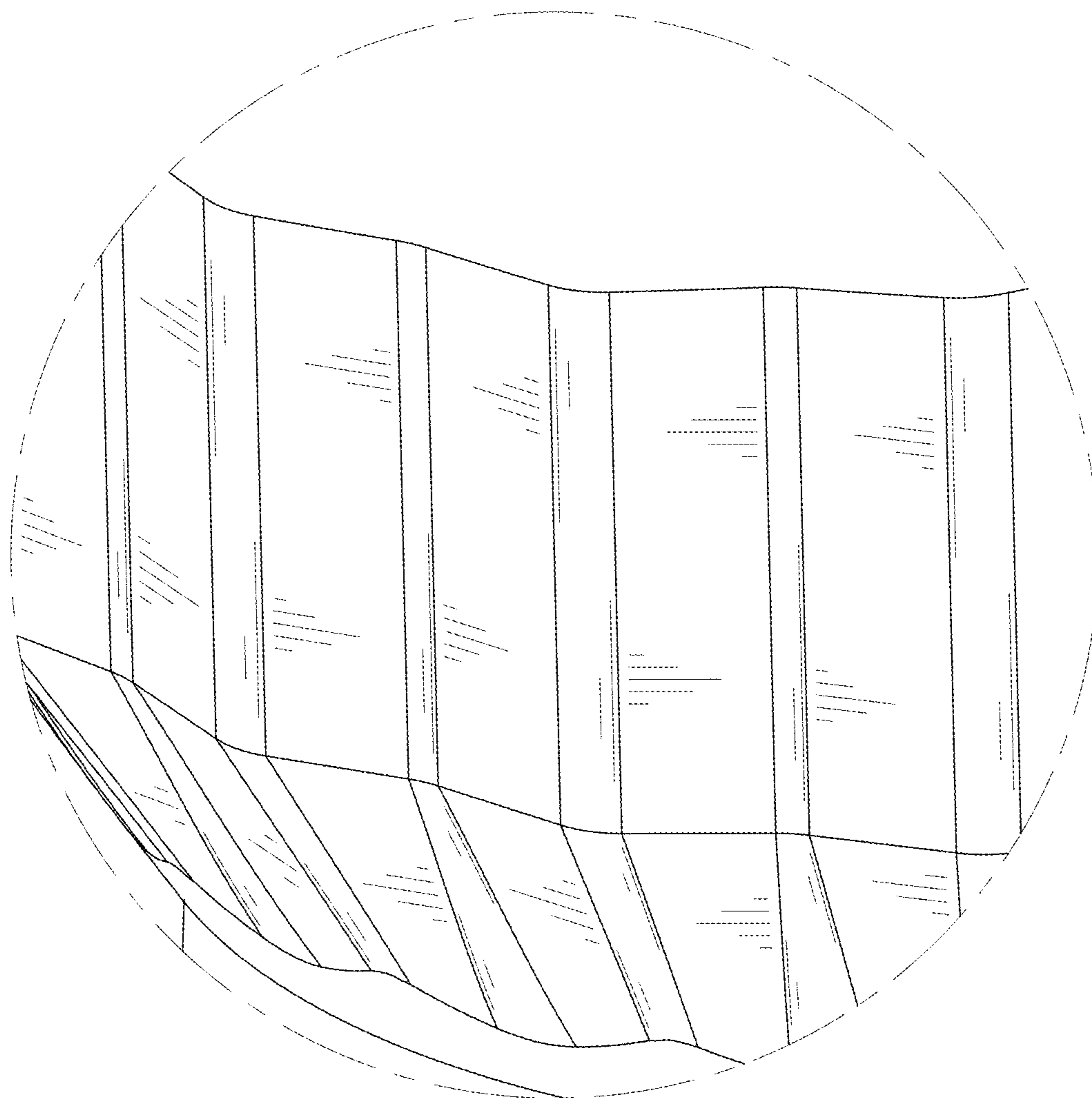


FIG. 10