



US00D952356S

(12) **United States Design Patent** (10) **Patent No.:** **US D952,356 S**
Xavier et al. (45) **Date of Patent:** **** May 24, 2022**

(54) **COSMETIC BRUSH**
(71) Applicant: **Practk LLC**, Mendota Heights, MN
(US)

D352,829 S * 11/1994 Perry D4/104
D354,625 S * 1/1995 Weissmann D4/109
D718,060 S * 11/2014 Filho D4/199
(Continued)

(72) Inventors: **Simone Rodrigues Oliveira Xavier**,
Fort Lauderdale, FL (US); **René Xavier**
Filho, Fort Lauderdale, FL (US)

FOREIGN PATENT DOCUMENTS

EP 0433839 A1 6/1991
EP 2087810 A1 8/2009
(Continued)

(73) Assignee: **Practk LLC**, Mendota Heights, MN
(US)

Primary Examiner — Karen E Eldridge Powers
(74) *Attorney, Agent, or Firm* — Dorsey & Whitney LLP

(**) Term: **15 Years**

(57) **CLAIM**

We claim the ornamental design for a cosmetic brush, as shown and described.

(21) Appl. No.: **29/703,689**

DESCRIPTION

(22) Filed: **Aug. 29, 2019**

(51) **LOC (13) Cl.** **04-02**

(52) **U.S. Cl.**
USPC **D4/135**

(58) **Field of Classification Search**
USPC D4/127, 130, 132, 133, 134, 135, 136,
D4/137, 138, 199; D28/7
CPC .. A46B 5/02; A46B 9/02; A46B 9/021; A46B
2200/1046
See application file for complete search history.

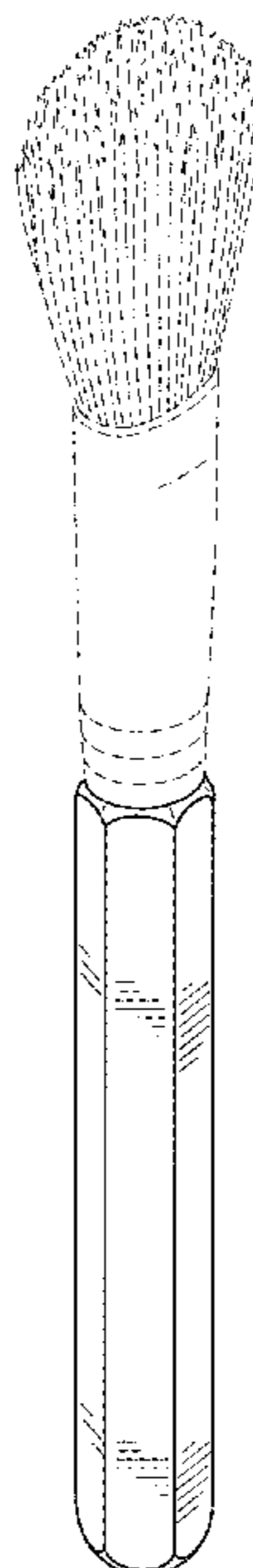
FIG. 1 is an isometric view of a cosmetic brush handle.
FIG. 2 is a front elevation view of a cosmetic brush.
FIG. 3 is a rear elevation view of the cosmetic brush of FIG. 1.
FIG. 4 is a left side elevation view of the cosmetic brush of FIG. 1.
FIG. 5 is a right side elevation view of the cosmetic brush of FIG. 1.
FIG. 6 is a top plan view of the cosmetic brush of FIG. 1.
FIG. 7 is a bottom plan view of the cosmetic brush of FIG. 1.
FIG. 8 is an alternate isometric view of the cosmetic brush.
FIG. 9 is a front view of the cosmetic brush of FIG. 8.
FIG. 10 is a rear view of the cosmetic brush of FIG. 8.
FIG. 11 is a left side view of the cosmetic brush of FIG. 8.
FIG. 12 is a right side view of the cosmetic brush of FIG. 8.
FIG. 13 is a top view of the cosmetic brush of FIG. 8; and,
FIG. 14 is a bottom view of the cosmetic brush of FIG. 8.
The broken lines in the drawings illustrate environment of the brush and form no part of the claimed design.

(56) **References Cited**

U.S. PATENT DOCUMENTS

D83,771 S * 3/1931 Trevillian D4/138
2,648,083 A 8/1953 Chesney et al.
D222,383 S * 10/1971 Noorlander D24/112
D241,891 S * 10/1976 Cannon et al. D4/104
D246,000 S * 10/1977 Yacos D28/57
D284,045 S * 6/1986 Thomas D28/59
D337,889 S * 8/1993 Benson 15/179
D347,943 S * 6/1994 Perry D4/104

1 Claim, 8 Drawing Sheets



(56)

References Cited

U.S. PATENT DOCUMENTS

D801,057 S * 10/2017 Xavier D4/135
D845,642 S * 4/2019 Muller D4/128
D862,901 S * 10/2019 Xavier D4/199
2011/0035895 A1 2/2011 Muhl et al.
2014/0259489 A1 9/2014 Dale
2020/0405048 A1* 12/2020 Pyne A46B 17/04

FOREIGN PATENT DOCUMENTS

KR 301032383.000 * 11/2019
KR 301032384.0000 * 11/2019
WO WO-D208072-001 * 11/2020

* cited by examiner

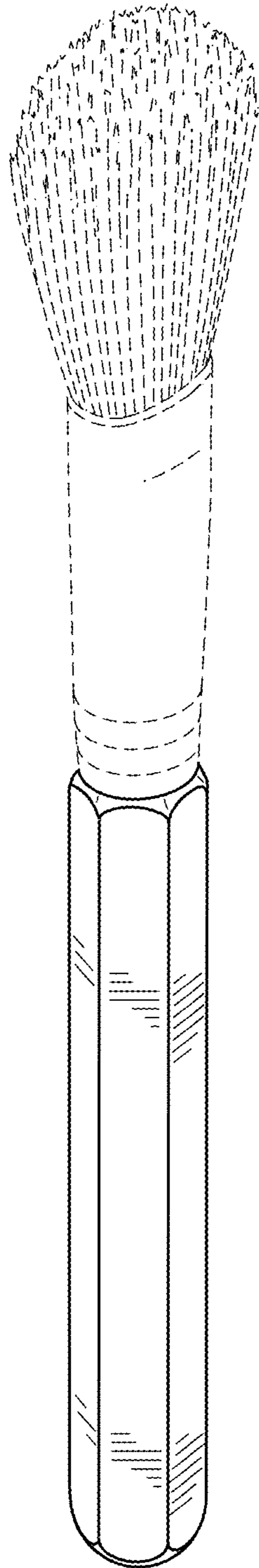


FIG. 1

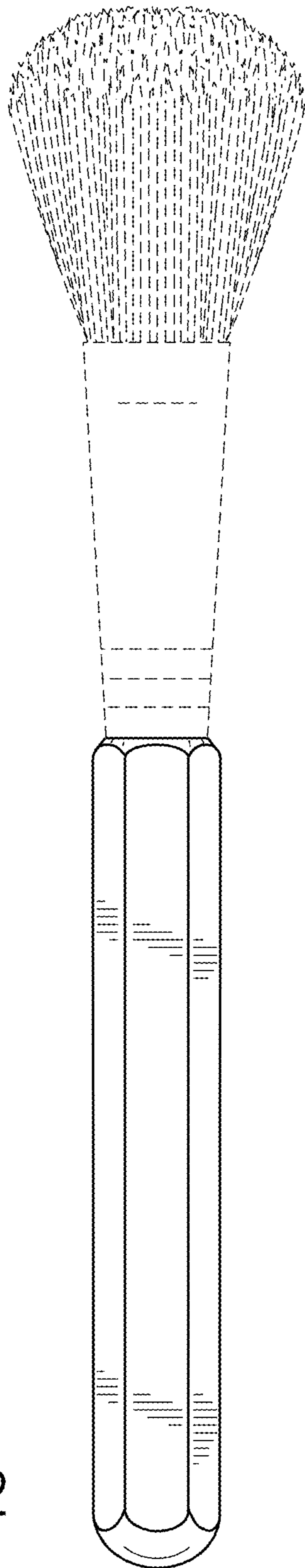


FIG. 2

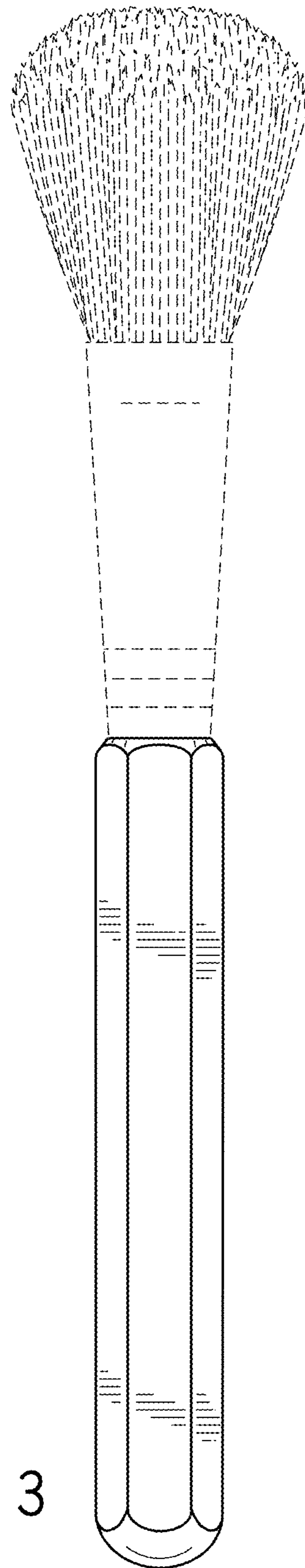


FIG. 3

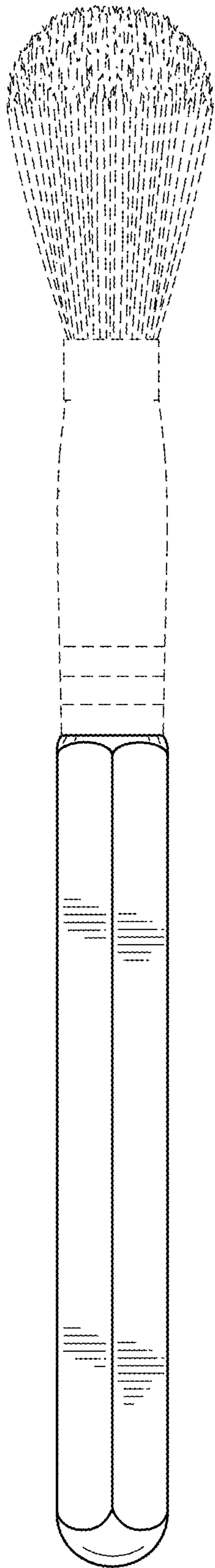


FIG. 4

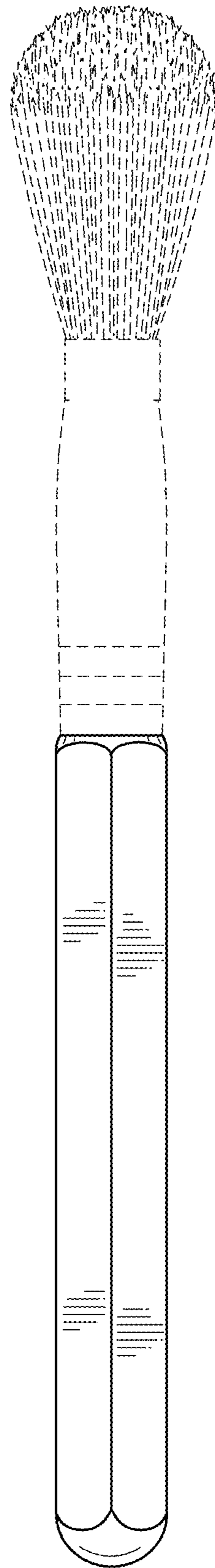


FIG. 5

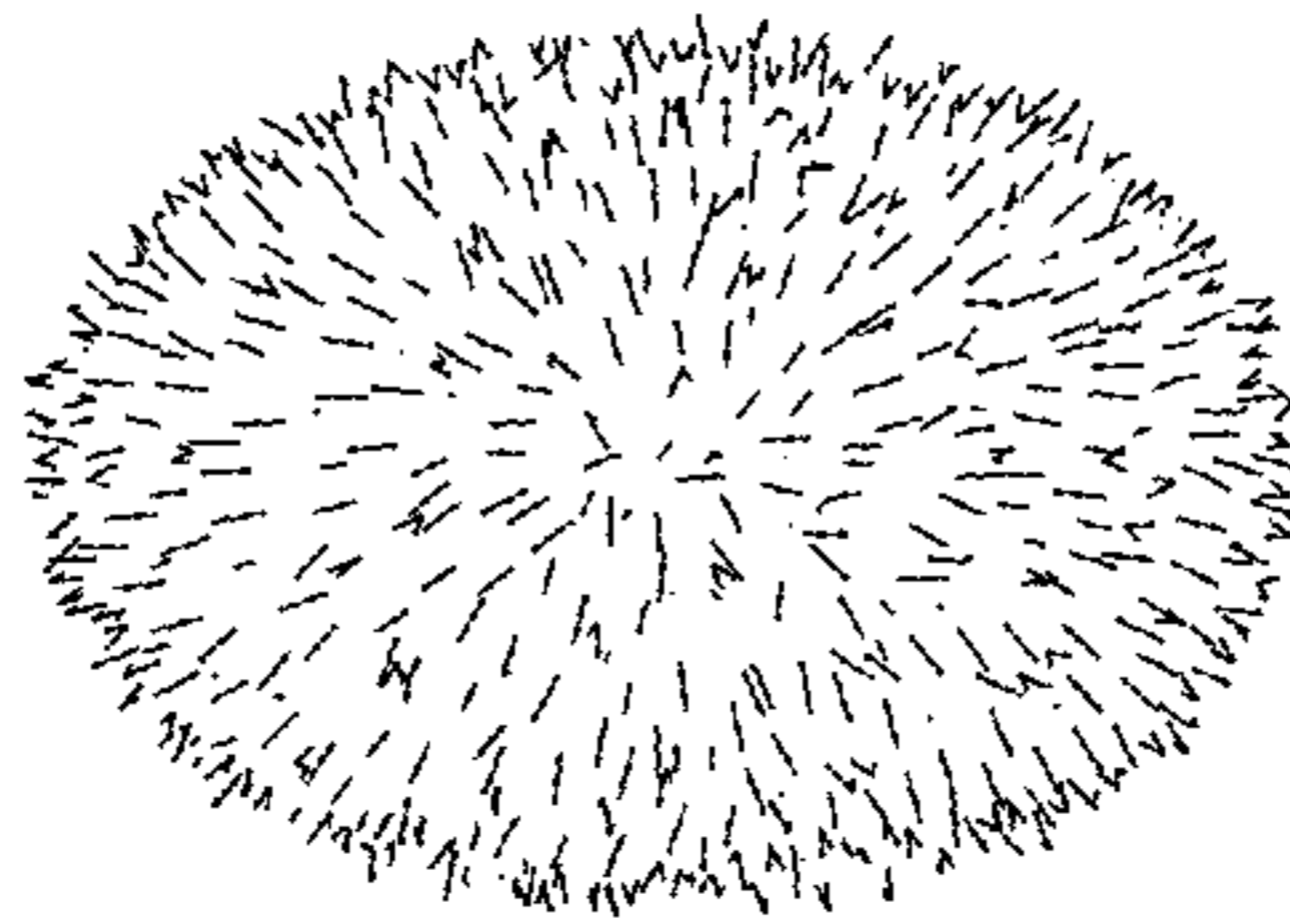


FIG. 6

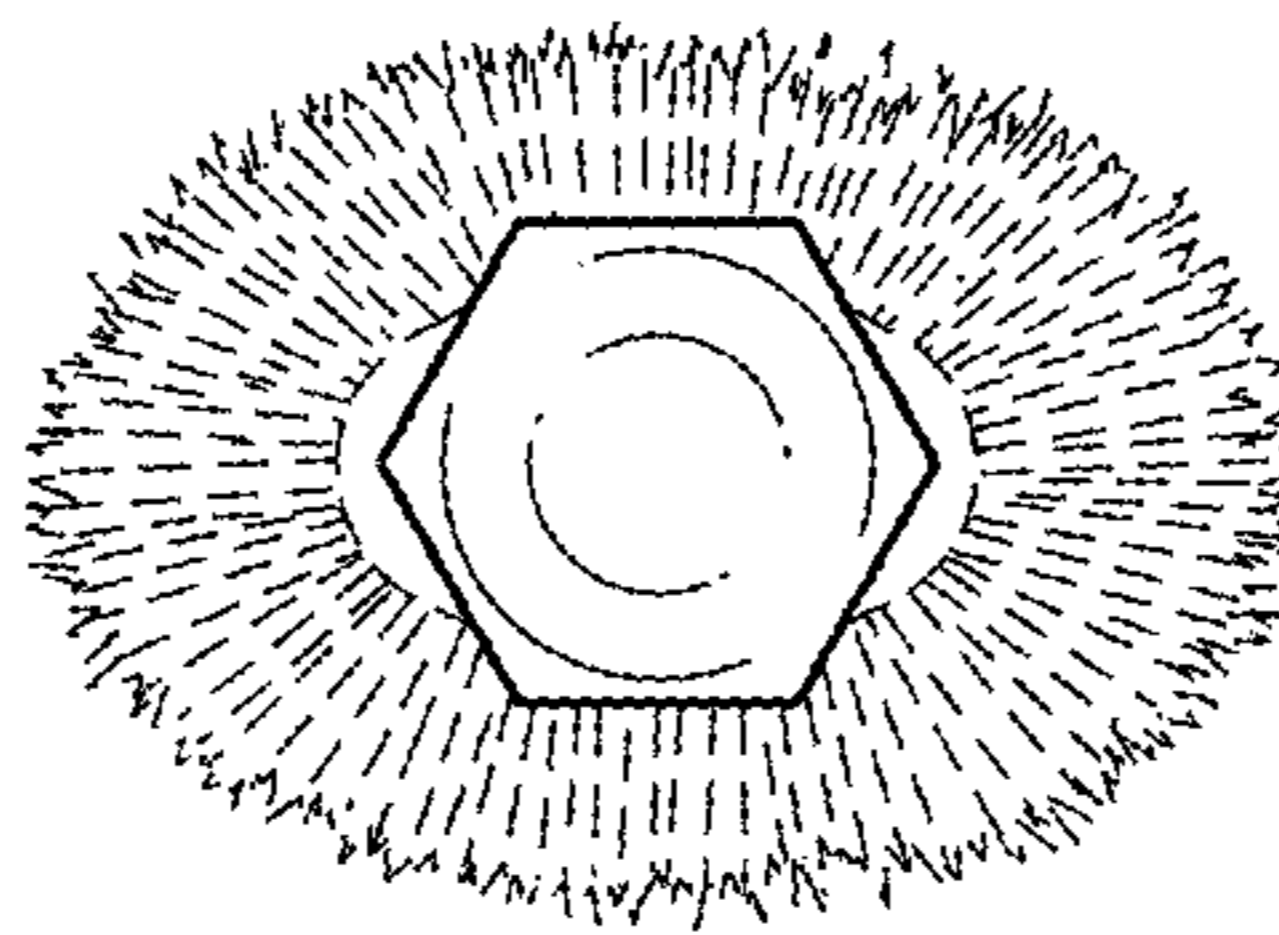


FIG. 7

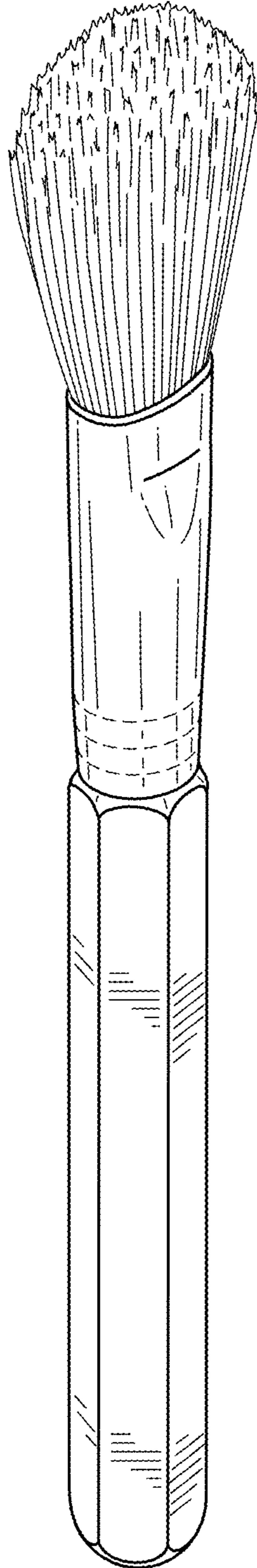


FIG. 8

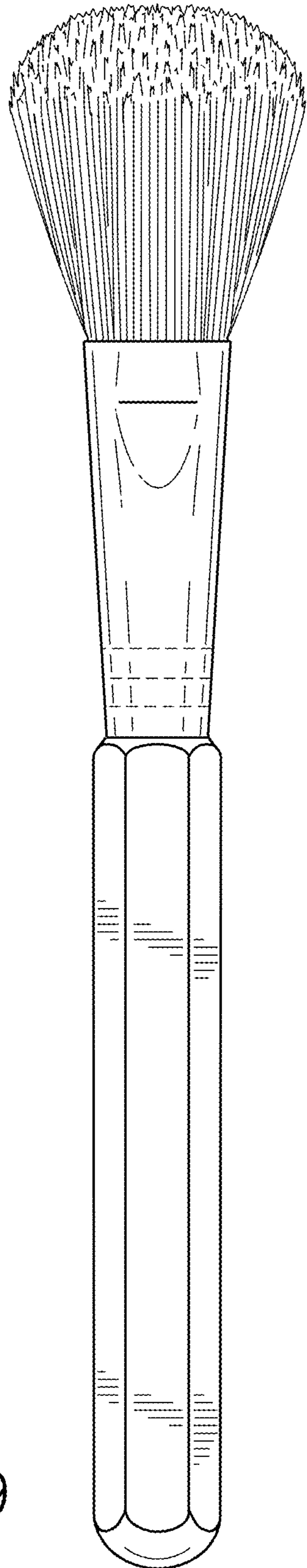


FIG. 9

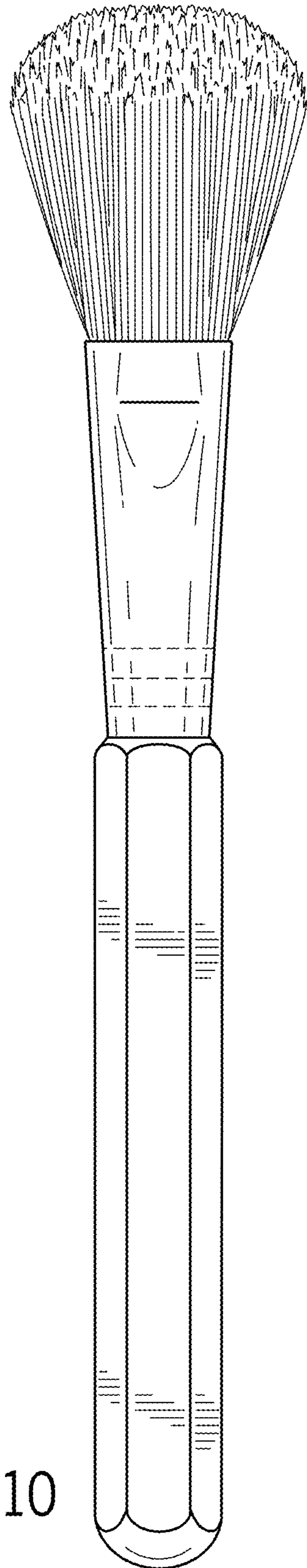


FIG. 10

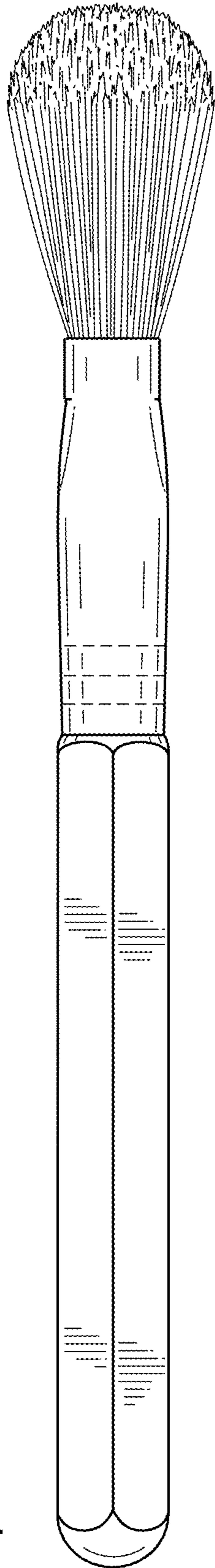


FIG. 11

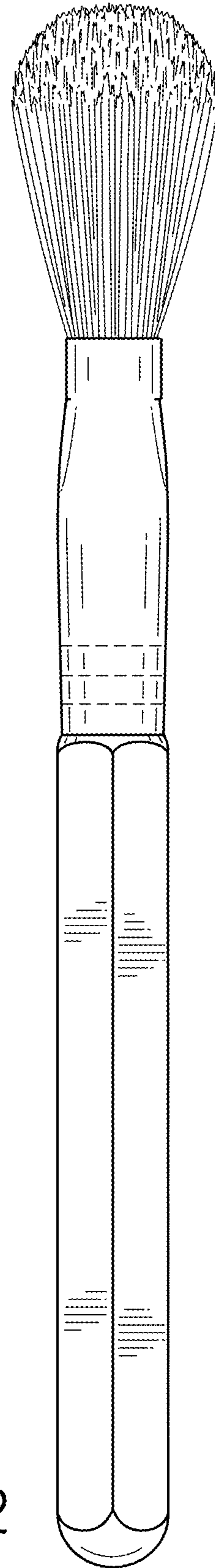


FIG. 12

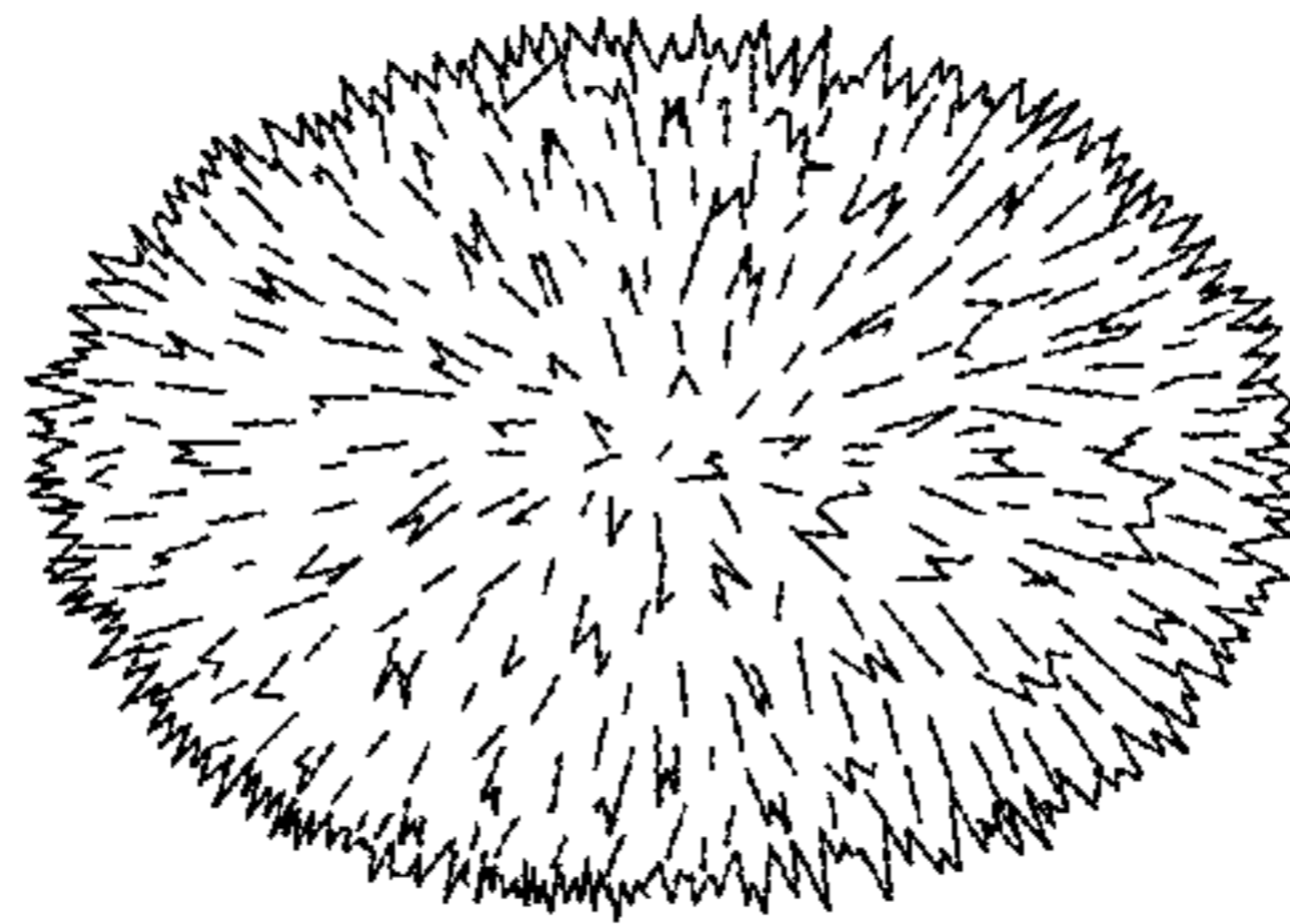


FIG. 13

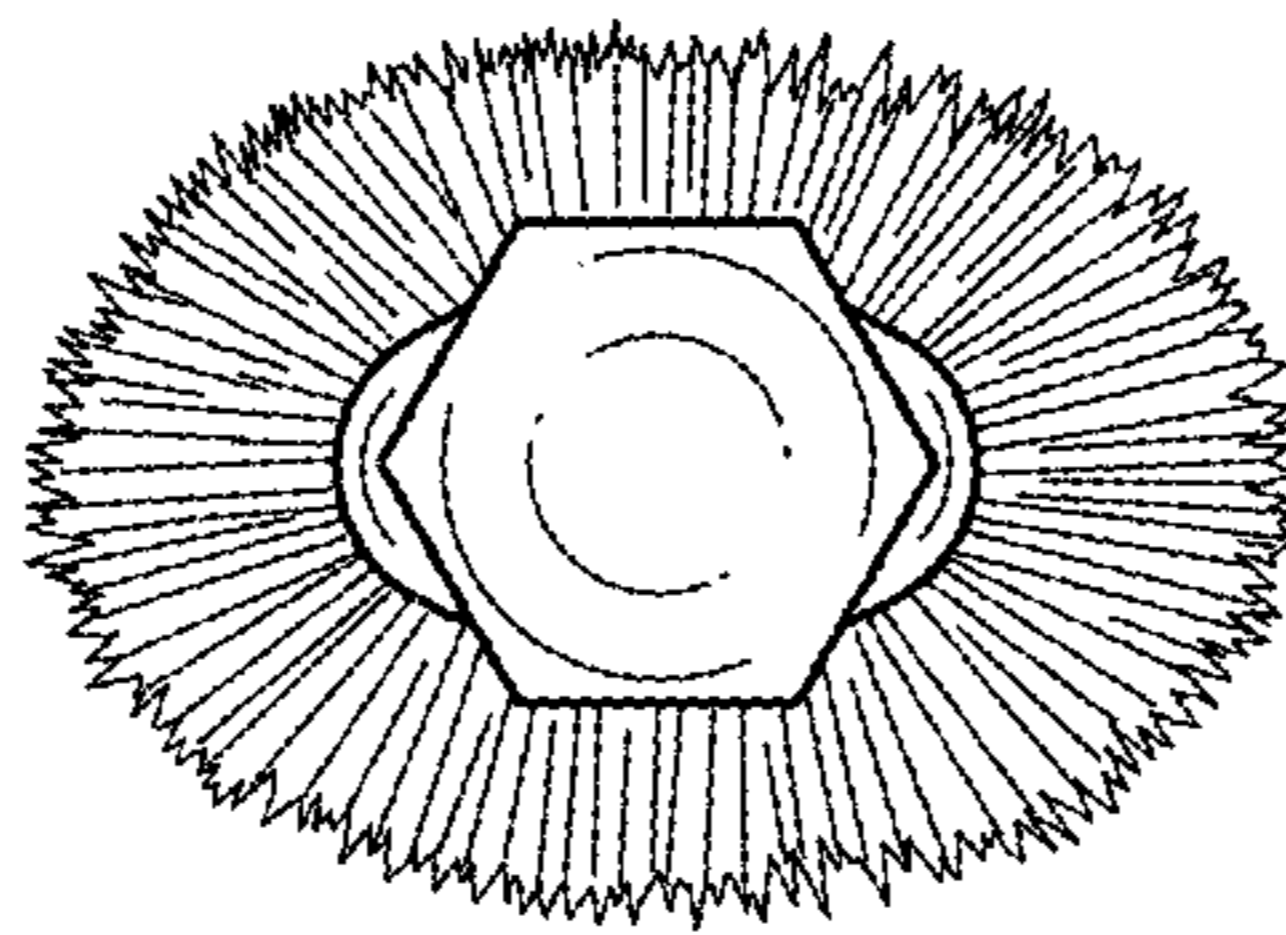


FIG. 14

UNITED STATES PATENT AND TRADEMARK OFFICE
CERTIFICATE OF CORRECTION

PATENT NO. : D952,356 S
APPLICATION NO. : 29/703689
DATED : May 24, 2022
INVENTOR(S) : Simone Rodrigues Oliveira Xavier and Rene Xavier Filho

Page 1 of 1

It is certified that error appears in the above-identified patent and that said Letters Patent is hereby corrected as shown below:

On the Title Page

The DESCRIPTION

“FIG. 2 is a front elevation view of a cosmetic brush.”

Should be:

--FIG. 2 is a front elevation view of a cosmetic brush handle.--

“FIG. 3 is a rear elevation view of the cosmetic brush of FIG. 1.”

Should be:

--FIG. 3 is a rear elevation view of the cosmetic brush handle of FIG. 1.--

“FIG. 4 is a left side elevation view of the cosmetic brush of FIG. 1.”

Should be:

--FIG. 4 is a left side elevation view of the cosmetic brush handle of FIG. 1.--

“FIG. 5 is a right side elevation view of the cosmetic brush of FIG. 1.”

Should be:

--FIG. 5 is a right side elevation view of the cosmetic brush handle of FIG. 1.--

“FIG. 6 is a top plan view of the cosmetic brush of FIG. 1.”

Should be:

--FIG. 6 is a top plan view of the cosmetic brush handle of FIG. 1.--

“FIG. 7 is a bottom plan view of the cosmetic brush of FIG. 1.”

Should be:

--FIG. 7 is a bottom plan view of the cosmetic brush handle of FIG. 1.--

Signed and Sealed this
Eighteenth Day of October, 2022
Katherine Kelly Vidal

Katherine Kelly Vidal
Director of the United States Patent and Trademark Office