



US00D952355S

(12) **United States Design Patent**
Huang

(10) **Patent No.:** **US D952,355 S**
(45) **Date of Patent:** **** May 24, 2022**

- (54) **BRUSH**
- (71) Applicant: **Zhiyong Huang**, Luoding (CN)
- (72) Inventor: **Zhiyong Huang**, Luoding (CN)
- (**) Term: **15 Years**
- (21) Appl. No.: **29/780,475**
- (22) Filed: **Apr. 25, 2021**
- (51) **LOC (13) Cl.** **04-02**
- (52) **U.S. Cl.**
USPC **D4/134**
- (58) **Field of Classification Search**
USPC D4/119, 120, 121, 127, 128, 130, 132,
D4/133, 134, 135, 136, 138, 199;
D24/211, 214, 215
CPC A46B 2200/10; A46B 2200/104; A46B
5/002; A46B 5/0025; A46B 5/0033; A46B
5/0037; A46B 5/02; A46B 9/023
See application file for complete search history.

(56) **References Cited**

U.S. PATENT DOCUMENTS

- D26,973 S * 4/1897 Shepherd D4/134
- D35,313 S * 11/1901 Wirt D24/211
- 825,910 A * 7/1906 Kleinsorgen A46B 7/06
15/201
- 1,367,385 A * 2/1921 Harrison A46B 9/10
15/202
- 2,796,620 A * 6/1957 Bressler A46B 7/06
15/201
- 3,140,499 A * 7/1964 Du Bois A46B 17/06
15/160
- D260,949 S * 9/1981 Megna 15/207.2
- D358,489 S * 5/1995 Balster D4/134
- D566,402 S * 4/2008 Neuner D4/136
- D568,612 S * 5/2008 Chan D4/120
- 8,857,005 B2 * 10/2014 Shim A46B 15/00
15/160
- D750,896 S * 3/2016 Park D4/136

D809,803 S 2/2018 Mao
D891,786 S 8/2020 Robbins
11,166,542 B2 * 11/2021 Sze A46B 5/0025

FOREIGN PATENT DOCUMENTS

CN 305476172 * 12/2019
GB 9008186373-0001 * 9/2020
IL 50846 * 3/2013

OTHER PUBLICATIONS

Honest Curltastic Detangling Brush Review | “Best Detangling Brush”?? | Does It Really Work? by Amber Cobbins [on-line]. [Posted to the Internet Oct. 18, 2019.] [Retrieved from the Internet Aug. 8, 2020.] URL: ><https://www.youtube.com/watch?v=sTam5LJGdkc>< (Year: 2019).*

(Continued)

Primary Examiner — Karen E Eldridge Powers

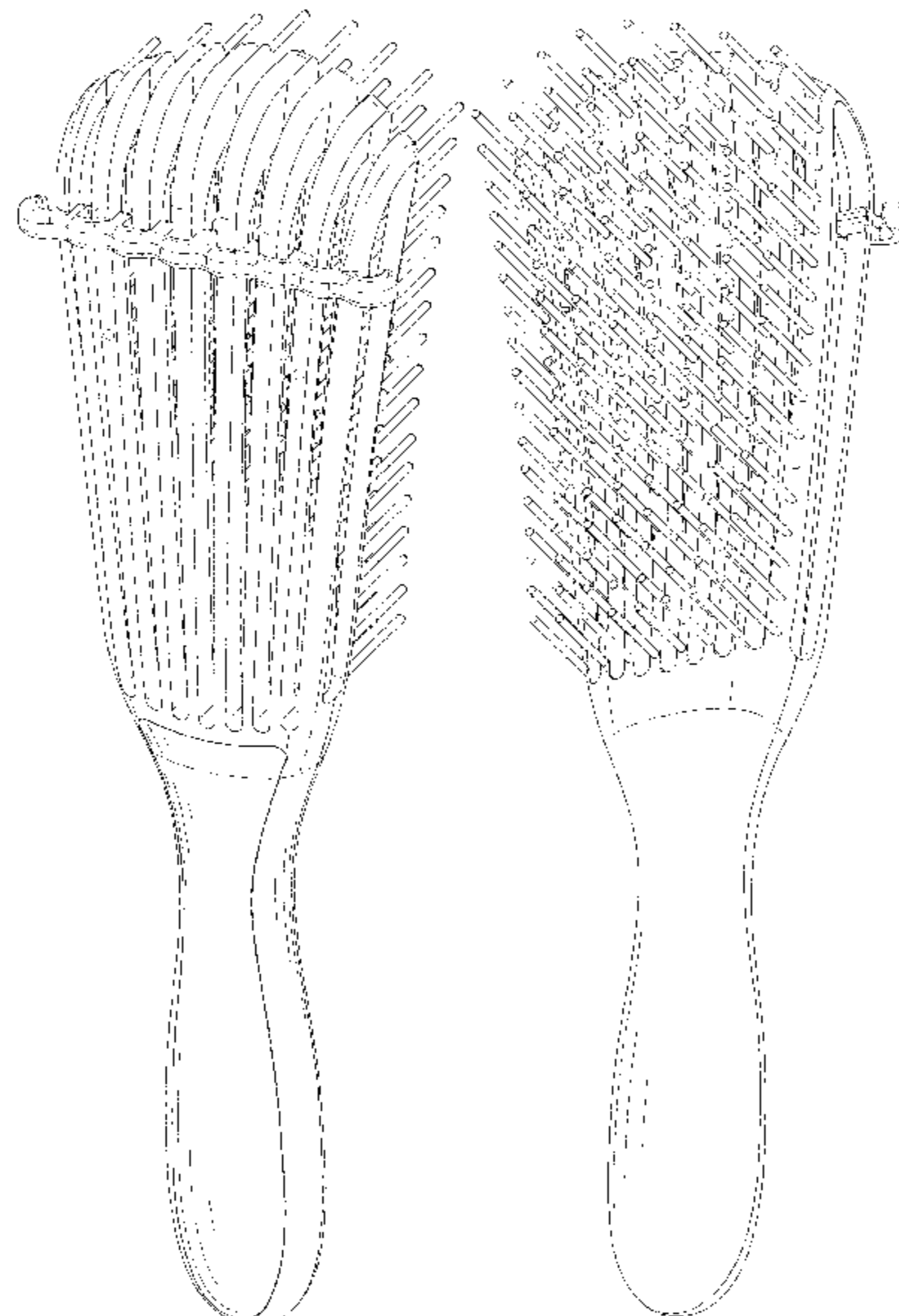
(57) **CLAIM**

The ornamental design for a brush, as shown and described.

DESCRIPTION

FIG. 1 is a top, front and right side perspective view of a brush showing my new design;
FIG. 2 is a bottom, rear and left side perspective view thereof;
FIG. 3 is a front elevational view thereof;
FIG. 4 is a rear elevational view thereof;
FIG. 5 is a left side elevational view thereof;
FIG. 6 is a right side elevational view thereof;
FIG. 7 is a top plan view thereof;
FIG. 8 is a bottom plan view thereof; and,
FIG. 9 is an enlarged view of portion 9 shown in FIG. 5.
The broken lines in the drawings depict portions of the brush that form no part of the claimed design.

1 Claim, 9 Drawing Sheets



(56)

References Cited

OTHER PUBLICATIONS

Eight-claw Comb™ Quick Detangle Brush—Depot Nation [on-line]. [Original publication date unknown; reviews with images undated.] [Retrieved from the Internet Aug. 6, 2020.] URL: >https://www.depotnation.co/products/eight-claw-comb-quick-detangle-brush#qv41ekzzi_D< (Year: 2020).*

Eight-Claw Comb Hair Soft Scalp Massage Brush . . . by Anself [on-line]. [[Original publication date unknown.] [Retrieved from the Internet Aug. 6, 2020.] URL: >https://www.walmart.com/ip/Eight-Claw-Comb-Hair-Soft-Scalp-Massage-Brush-Static-Scalp-Comb-Dry-Brush-Women-Detangle-Hairbrush/912857781?wmlspartner=wmtlabs&adid=22222222222359628109&wmlspartner=wmtlabs&w10=e&w11=o&w12=c&w13=75110517081636&w14=pla-4578710054760826&w15=&w16=&w17=&%20w10=Walmart&w12=912857781_10001040627&w14=hairbrush%20looks%20like%20rake&veh=sem&msclkid=fa0bc378ee5f1a6673639c546382b< (Year: 2020).*

Flexible detangling hair brush for thick hair by Metory [on-line]. [Original publication date unknown.] [Retrieved from the Internet Feb. 25, 2022.] URL: ><https://www.shmetory.com/product/Flexible-arms-detangling-hair-brush-for-thick-hair.html>< (Year: 2022).*

Hair detangling brush by Purpul Hair Products [on-line]. [Posted to the Internet Feb. 9, 2021.] [Retrieved from the Internet Feb. 25, 2022.] URL: ><https://www.facebook.com/purpulhairnaturalproducts/photos/a.1538608706211213/5144235388981842/>< (Year: 2021).*

* cited by examiner

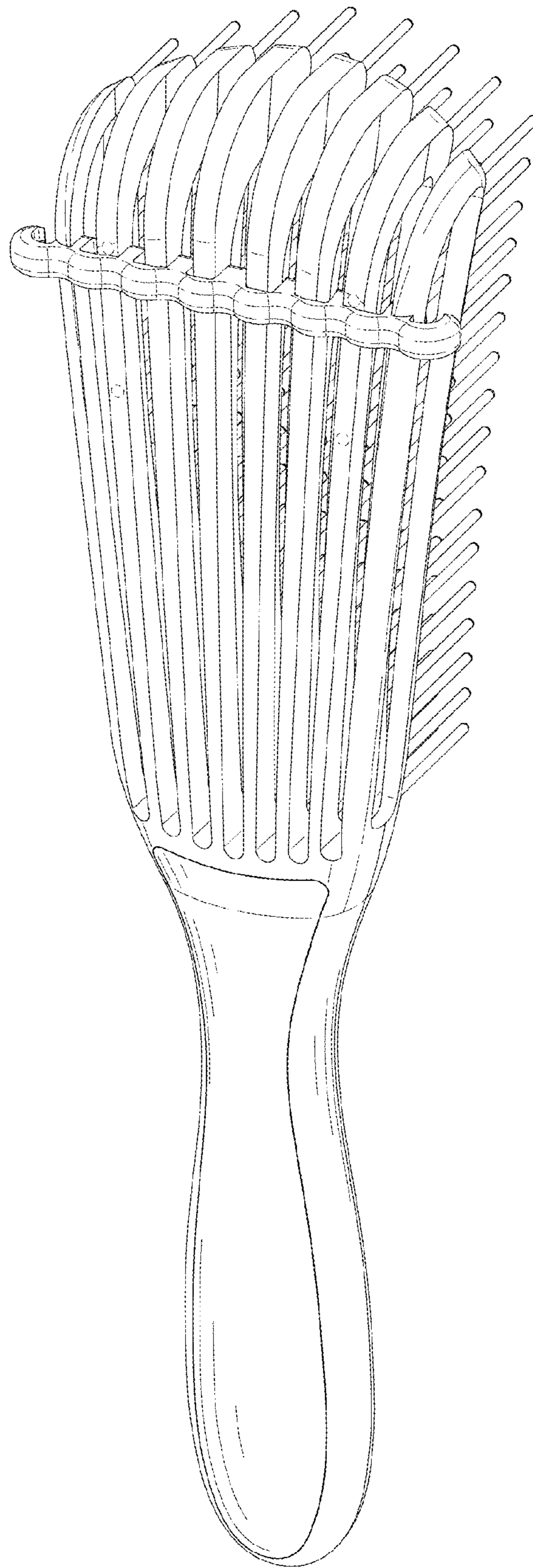


FIG. 1

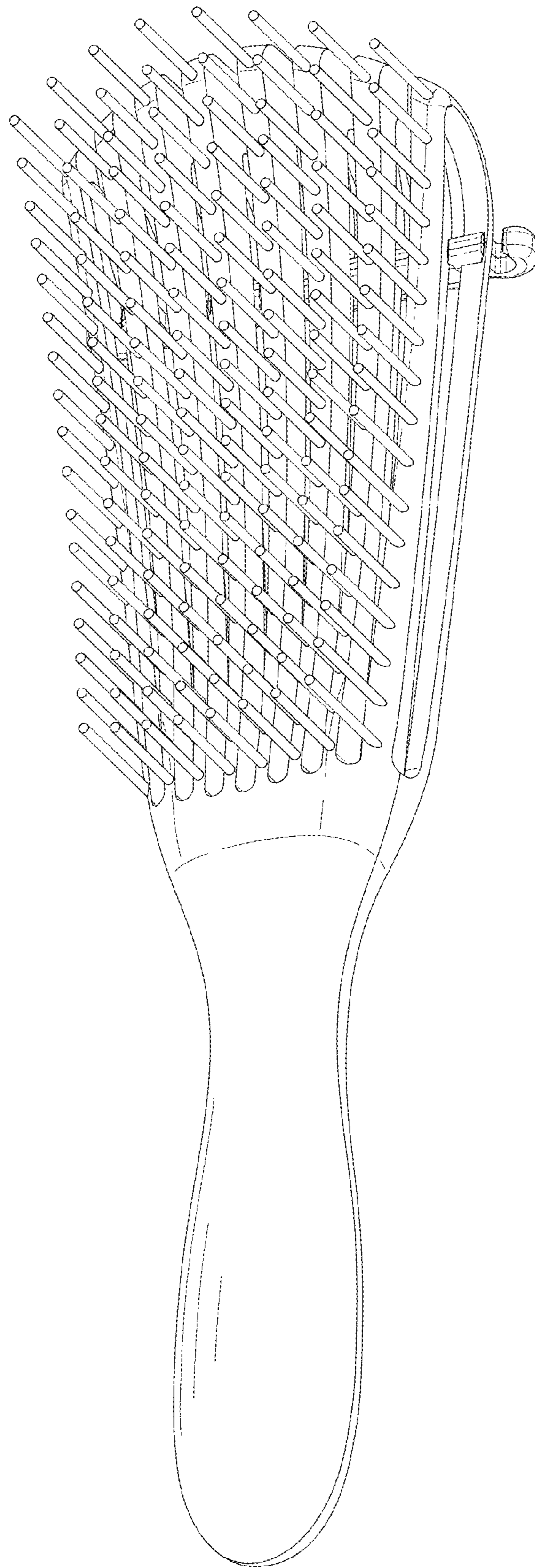


FIG. 2

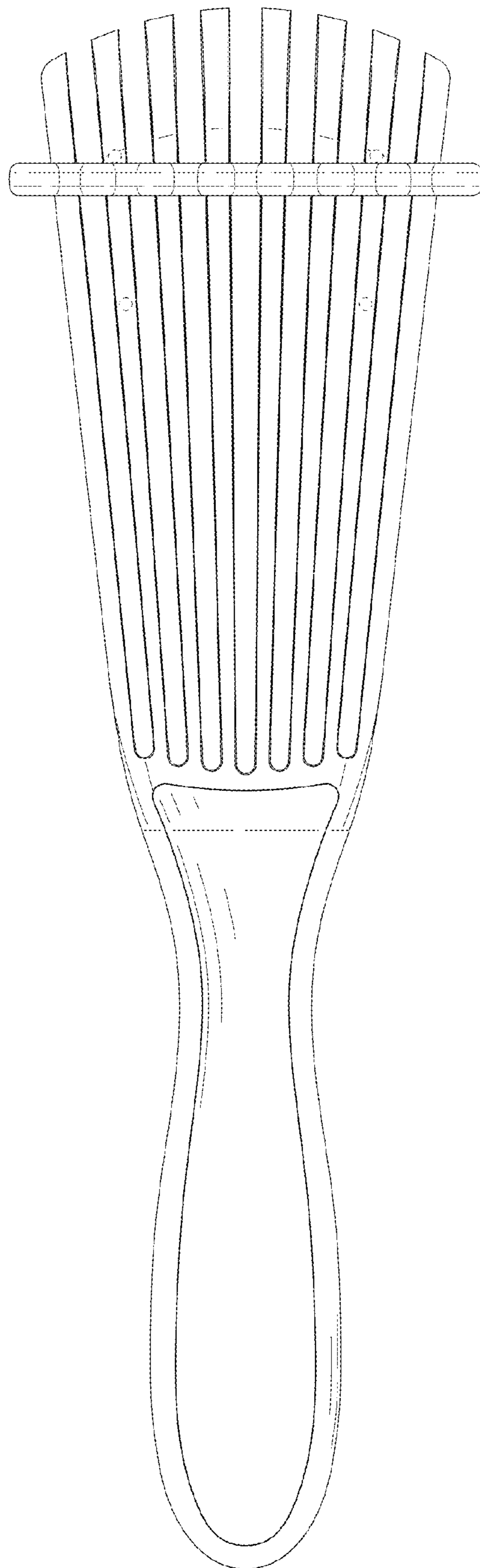


FIG. 3

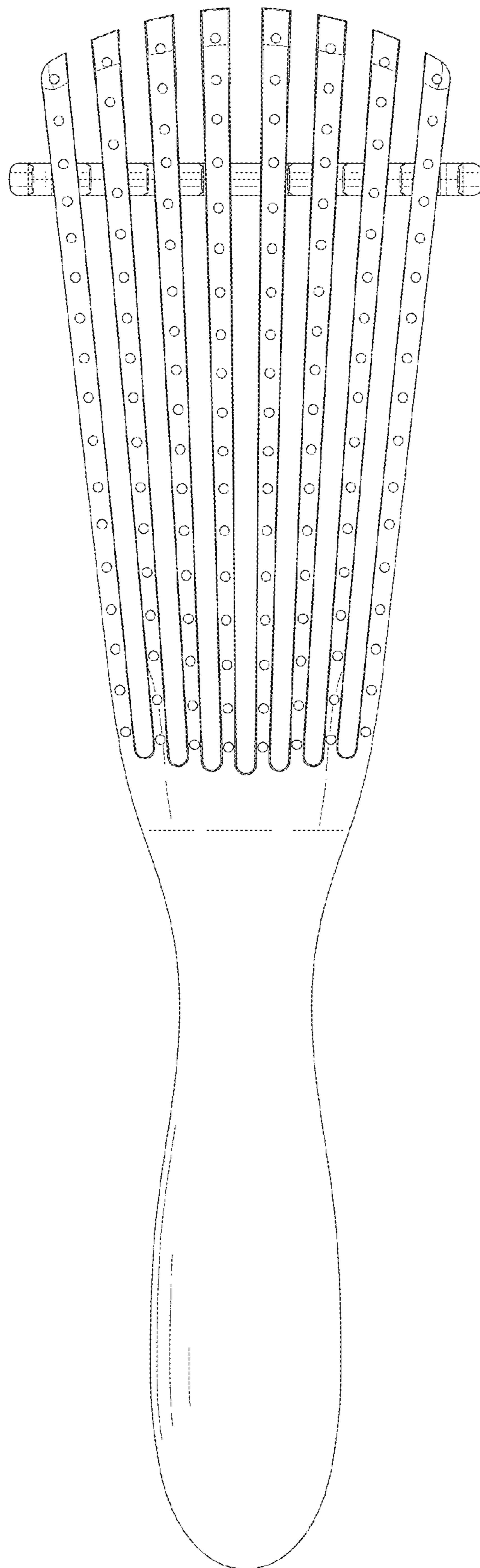


FIG. 4

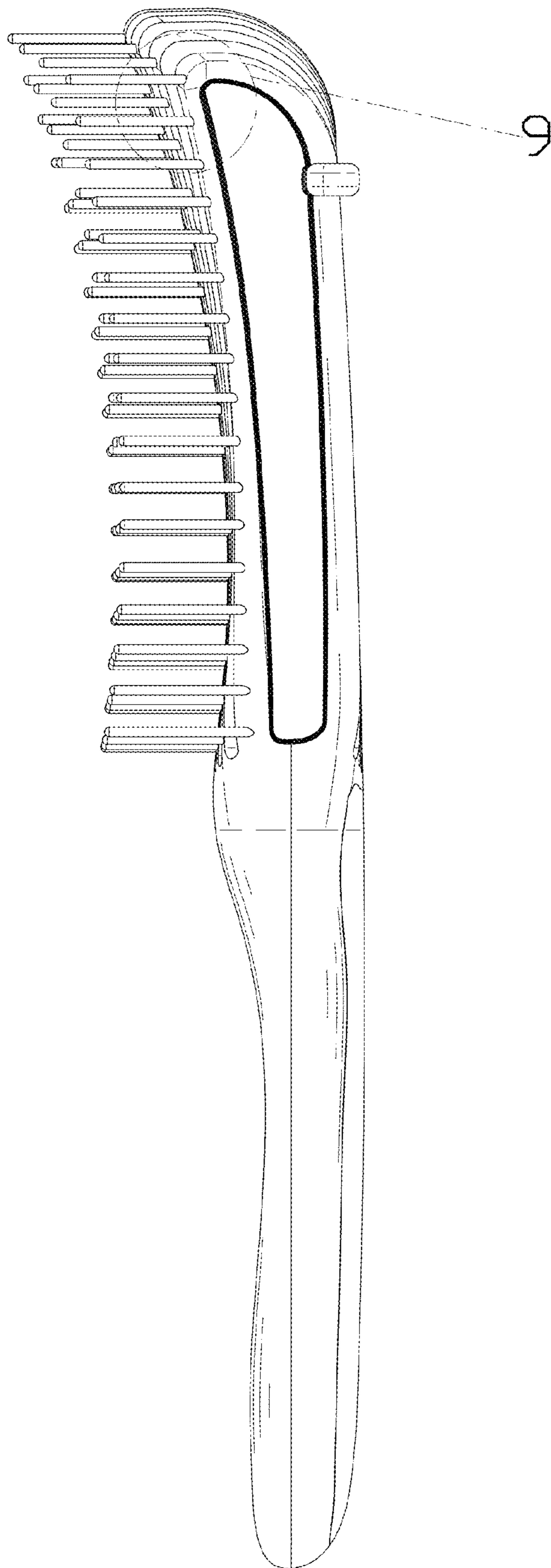


FIG. 5

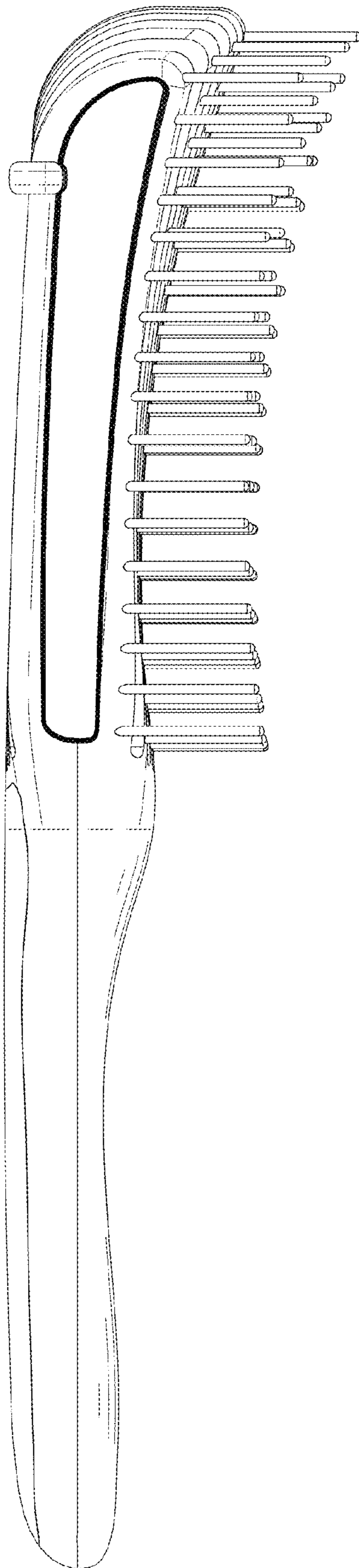


FIG. 6

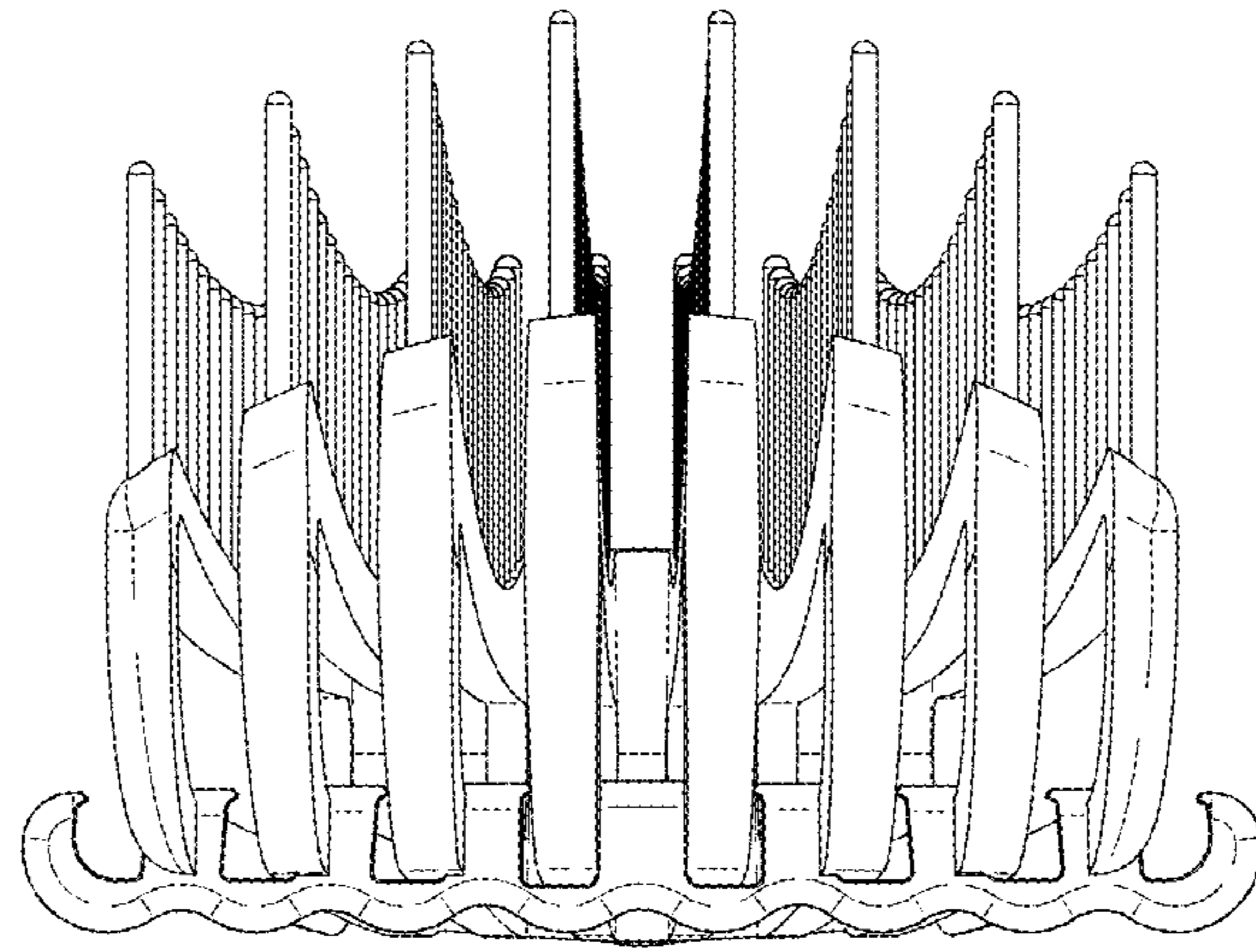


FIG. 7

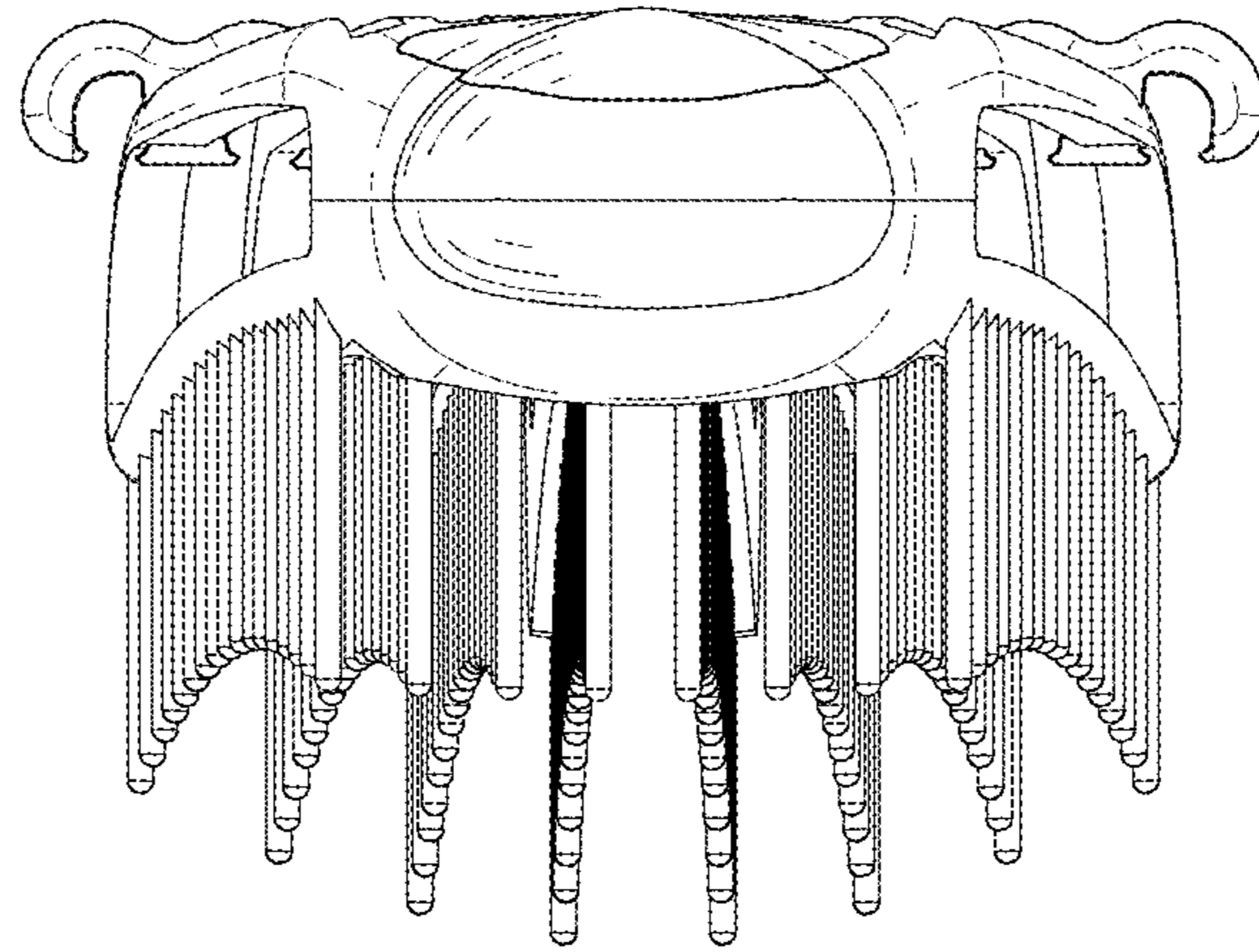


FIG. 8

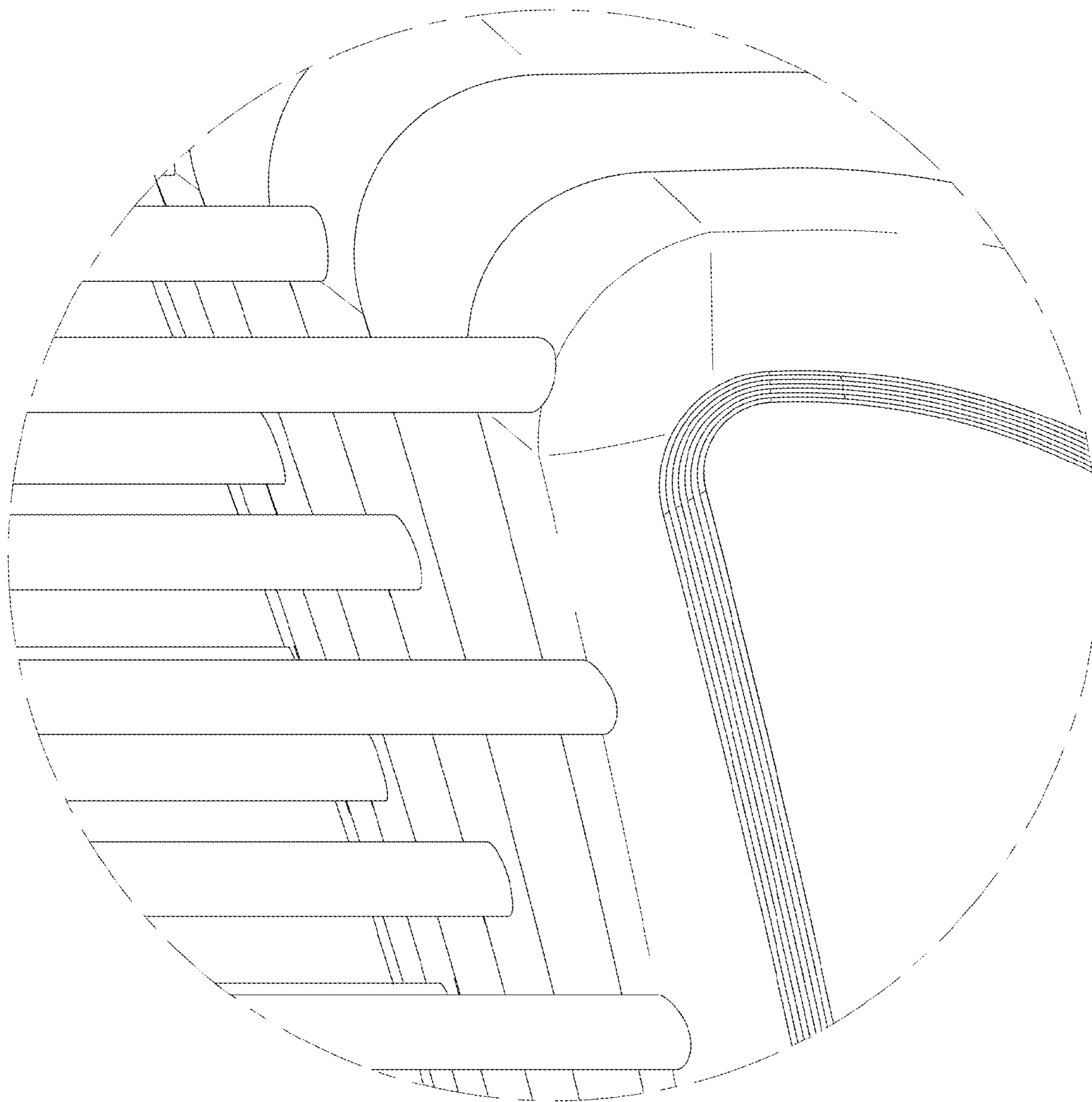


FIG. 9