



US00D952351S

(12) **United States Design Patent**  
**Langberg et al.**

(10) **Patent No.:** **US D952,351 S**

(45) **Date of Patent:** **\*\* May 24, 2022**

(54) **CHARGING CRADLE FOR SKINCARE BRUSH**

Sep. 14, 2021.] URL: >https://www.youtube.com/watch?v=K8WKjKumjcc< (Year: 2021).\*

(71) Applicant: **Church & Dwight Co., Inc.**, Princeton, NJ (US)

*Primary Examiner* — Karen E Eldridge Powers

(74) *Attorney, Agent, or Firm* — Womble Bond Dickinson (US) LLP

(72) Inventors: **Eric Langberg**, Milford, PA (US);  
**Aaron Szymanski**, Thomaston, CT (US)

(57) **CLAIM**

(73) Assignee: **Church & Dwight Co., Inc.**, Princeton, NJ (US)

The ornamental design for a charging cradle for skincare brush, as shown and described.

(\*\*) Term: **15 Years**

**DESCRIPTION**

(21) Appl. No.: **29/726,645**

FIG. 1 is a front, bottom and side perspective view of a first embodiment of a charging cradle for skincare brush of the present invention showing our new design;

(22) Filed: **Mar. 4, 2020**

FIG. 2 is a top plan view thereof;

(51) **LOC (13) Cl.** ..... **28-03**

FIG. 3 is a bottom plan view thereof;

(52) **U.S. Cl.**

FIG. 4 is a side elevation view thereof;

USPC ..... **D4/116; D4/100; D13/107; D13/108**

FIG. 5 is a front elevation view thereof;

(58) **Field of Classification Search**

USPC ..... D4/100, 102, 121, 127, 128, 129, 130,

FIG. 6 is a rear elevation view thereof;

D4/132, 133, 134, 135, 136, 137, 138,

FIG. 7 is a front, bottom and side perspective view of a second embodiment of a charging cradle for skincare brush of the present invention showing our new design;

(Continued)

FIG. 8 is a bottom plan view thereof;

(56) **References Cited**

**U.S. PATENT DOCUMENTS**

D237,319 S \* 10/1975 Sakai ..... D28/50  
7,325,311 B2 2/2008 Shimizu

(Continued)

FIG. 9 is a top plan view thereof;

FIG. 10 is a side elevation view thereof;

FIG. 11 is a front elevation view thereof;

FIG. 12 is a rear elevation view thereof;

FIG. 13 is a front, bottom and side perspective view of a third embodiment of a charging cradle for skincare brush of the present invention showing our new design;

**FOREIGN PATENT DOCUMENTS**

CN 303545103 1/2016  
CN 303721636 6/2016

(Continued)

FIG. 14 is a bottom plan view thereof;

FIG. 15 is a top plan view thereof;

FIG. 16 is a side elevation view thereof;

FIG. 17 is a front elevation view thereof; and,

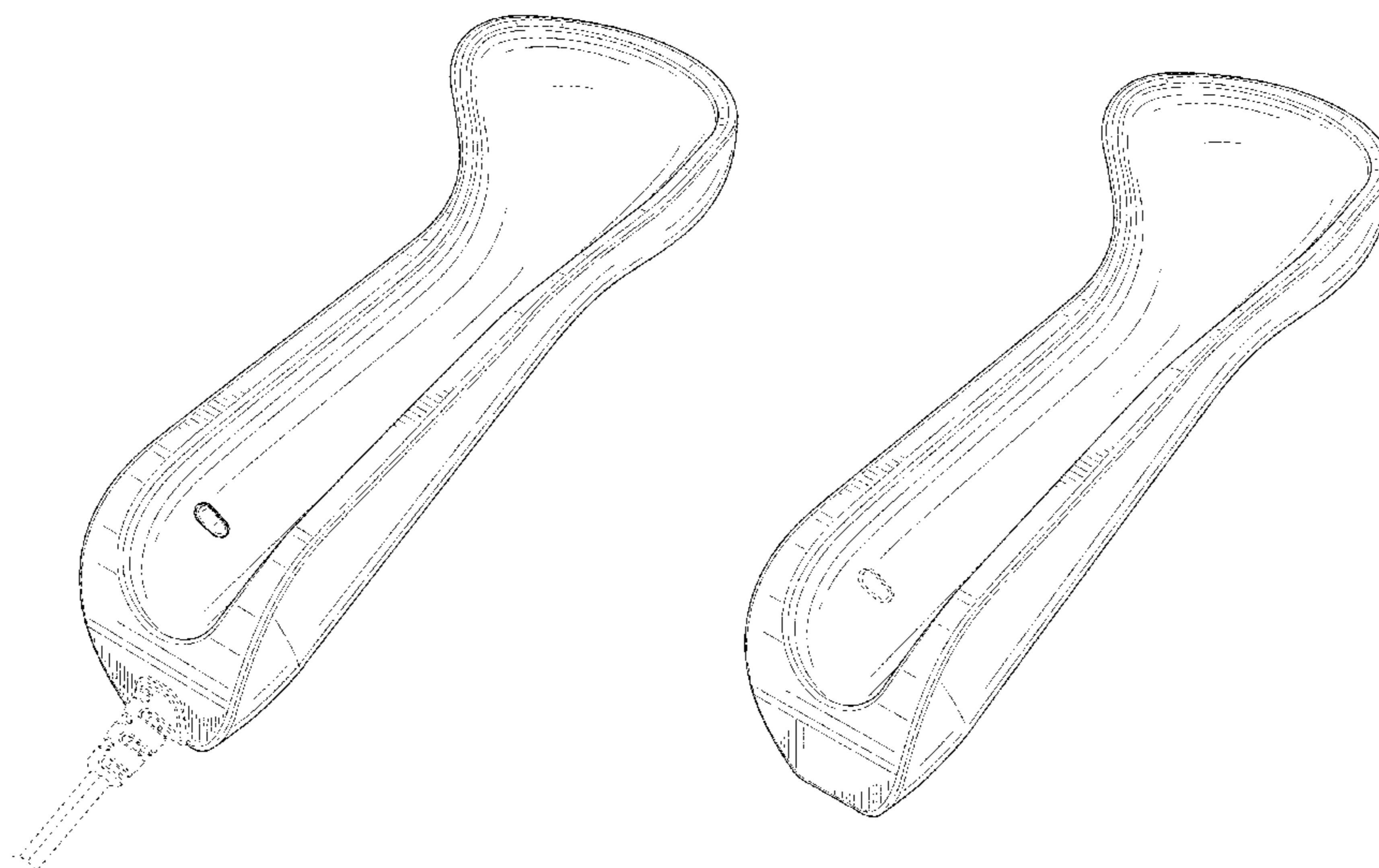
FIG. 18 is a rear elevation view thereof.

The broken lines shown herein depict environmental subject matter only and form no part of the claimed design.

**OTHER PUBLICATIONS**

Finishing Touch Flawless Cleanse Facial Cleanser and Massager [on-line]. [Published Aug. 7, 2021.] [Retrieved from the Internet

**1 Claim, 15 Drawing Sheets**



(58) **Field of Classification Search**  
 USPC ..... D4/199; D28/13, 24, 28, 25; D13/107,  
 D13/108  
 CPC .. A46B 5/02; A46B 9/005; A46B 9/02; A46B  
 9/023; A46B 9/06; A46B 15/0022; A46B  
 15/0024; A46B 15/003; A46B 5/0059;  
 A46B 15/0075; A46B 2200/1093; A46B  
 2200/104; A45D 2/001; A45D 2/002;  
 A45D 7/02; A45D 20/48  
 See application file for complete search history.

2016/0287034 A1 10/2016 Woodard et al.  
 2019/0008332 A1 1/2019 Johnstone et al.  
 2019/0176355 A1 6/2019 Mazarakis et al.  
 2019/0191862 A1 6/2019 Clos

**FOREIGN PATENT DOCUMENTS**

(56) **References Cited**  
 U.S. PATENT DOCUMENTS

8,590,162 B2 11/2013 Park et al.  
 9,421,146 B2 8/2016 Muraki et al.  
 9,889,282 B2 2/2018 Ungemach et al.  
 D816,343 S \* 5/2018 Tai ..... D4/100  
 D816,345 S \* 5/2018 Tai ..... D4/100  
 D818,272 S \* 5/2018 Tai ..... D4/100  
 10,058,168 B2 8/2018 Hendler et al.  
 10,349,731 B2 7/2019 Sueyoshi et al.  
 D893,101 S \* 8/2020 Szymanski ..... D28/45  
 D893,803 S \* 8/2020 Szymanski ..... D28/45  
 D905,965 S \* 12/2020 Xie ..... D4/100  
 D909,762 S \* 2/2021 He ..... D4/127  
 2010/0049177 A1 2/2010 Boone, III et al.  
 2013/0060176 A1 3/2013 Nichols  
 2015/0158192 A1 6/2015 Tucker et al.

CN 303846636 9/2016  
 CN 205625074 10/2016  
 CN 303897553 10/2016  
 CN 303908346 11/2016  
 CN 303990689 12/2016  
 CN 303828967 8/2017  
 CN 304247039 8/2017  
 CN 304258762 8/2017  
 CN 304258763 8/2017  
 CN 304823060 9/2018  
 CN 304994676 1/2019  
 CN 109528049 3/2019  
 CN 305150423 5/2019  
 CN 109953678 \* 7/2019  
 CN 305241949 \* 7/2019  
 CN 305363641 9/2019  
 CN 305556091 \* 1/2020  
 CN 305692470 \* 4/2020  
 CN 306287319 \* 1/2021  
 CN 306435079 \* 4/2021  
 EM 006598652-0001 \* 7/2019  
 EP 2 941 163 7/2016  
 EP 3 334 310 6/2018

\* cited by examiner

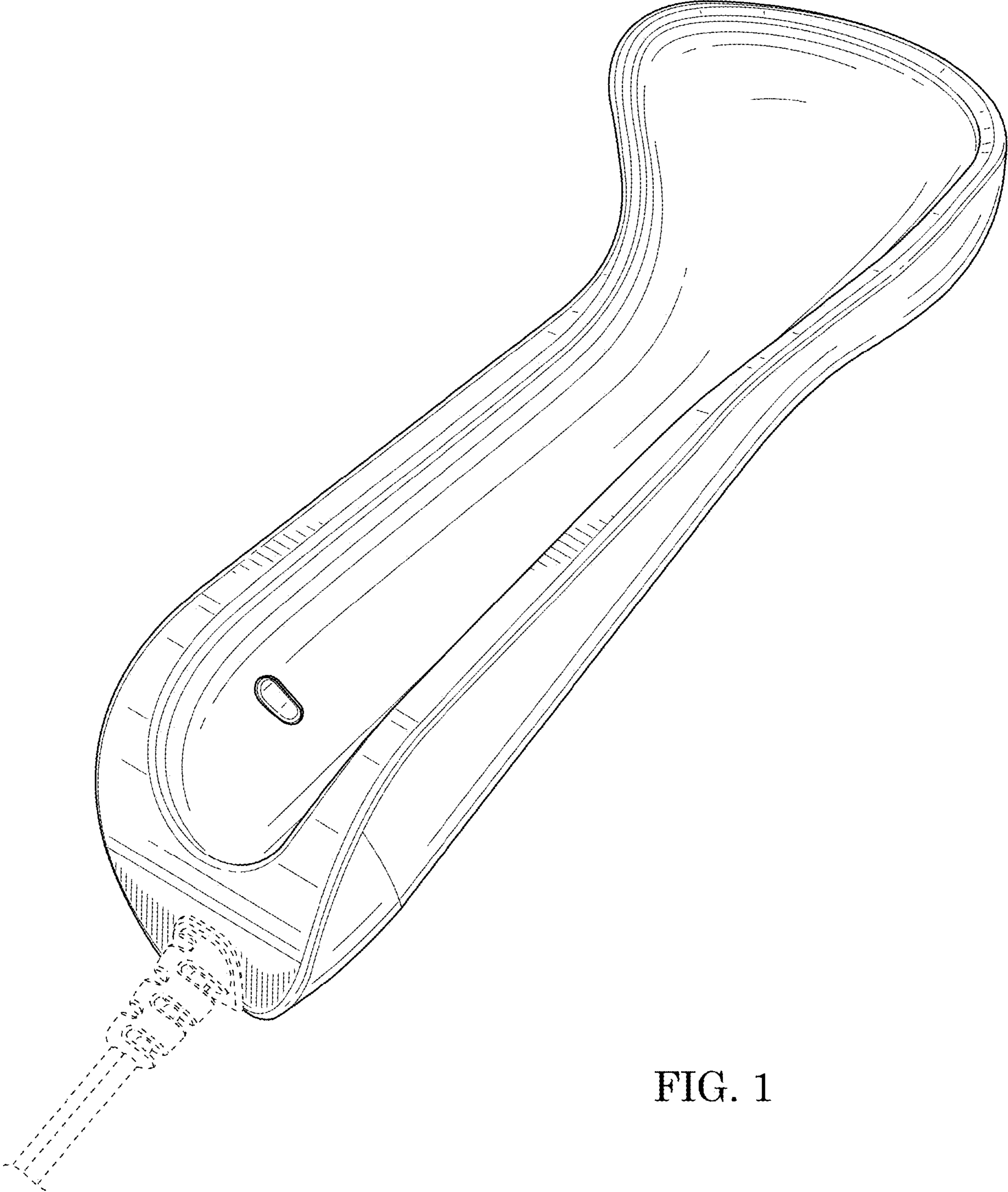


FIG. 1

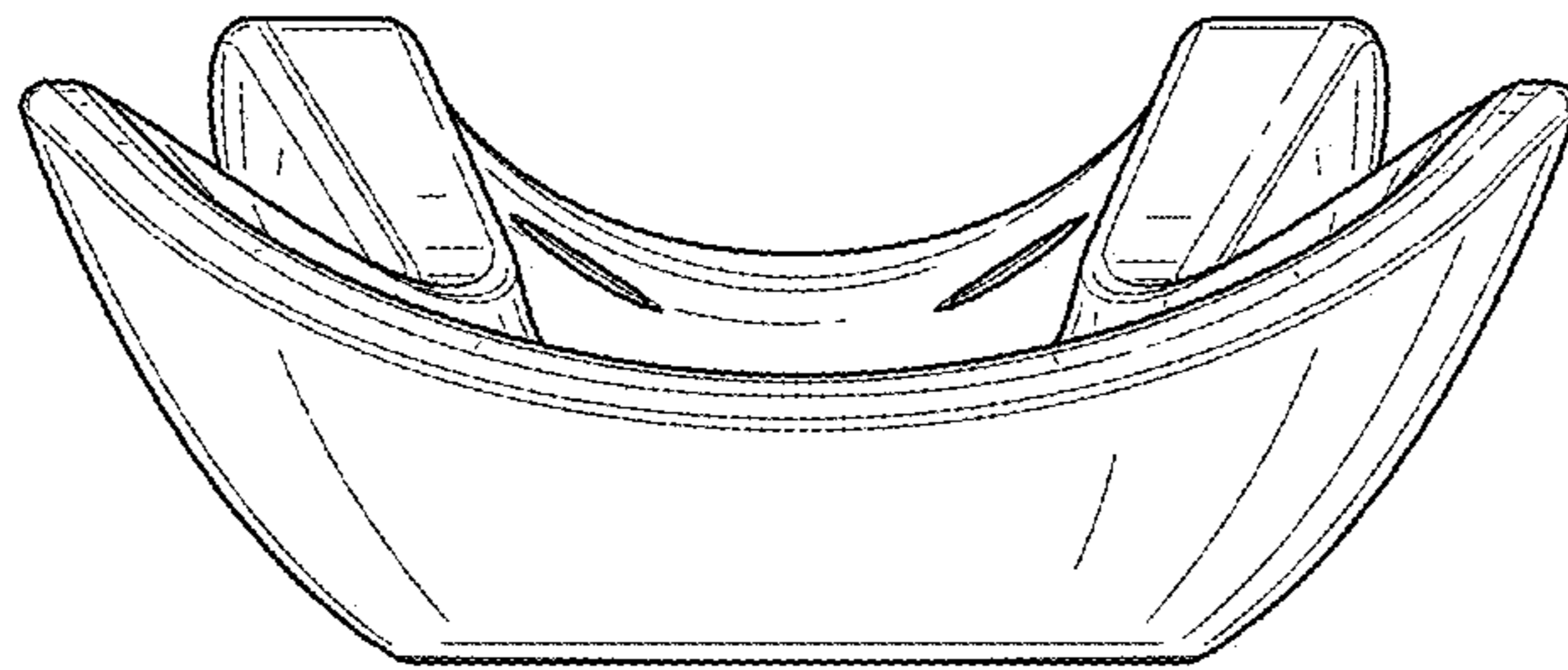


FIG. 2

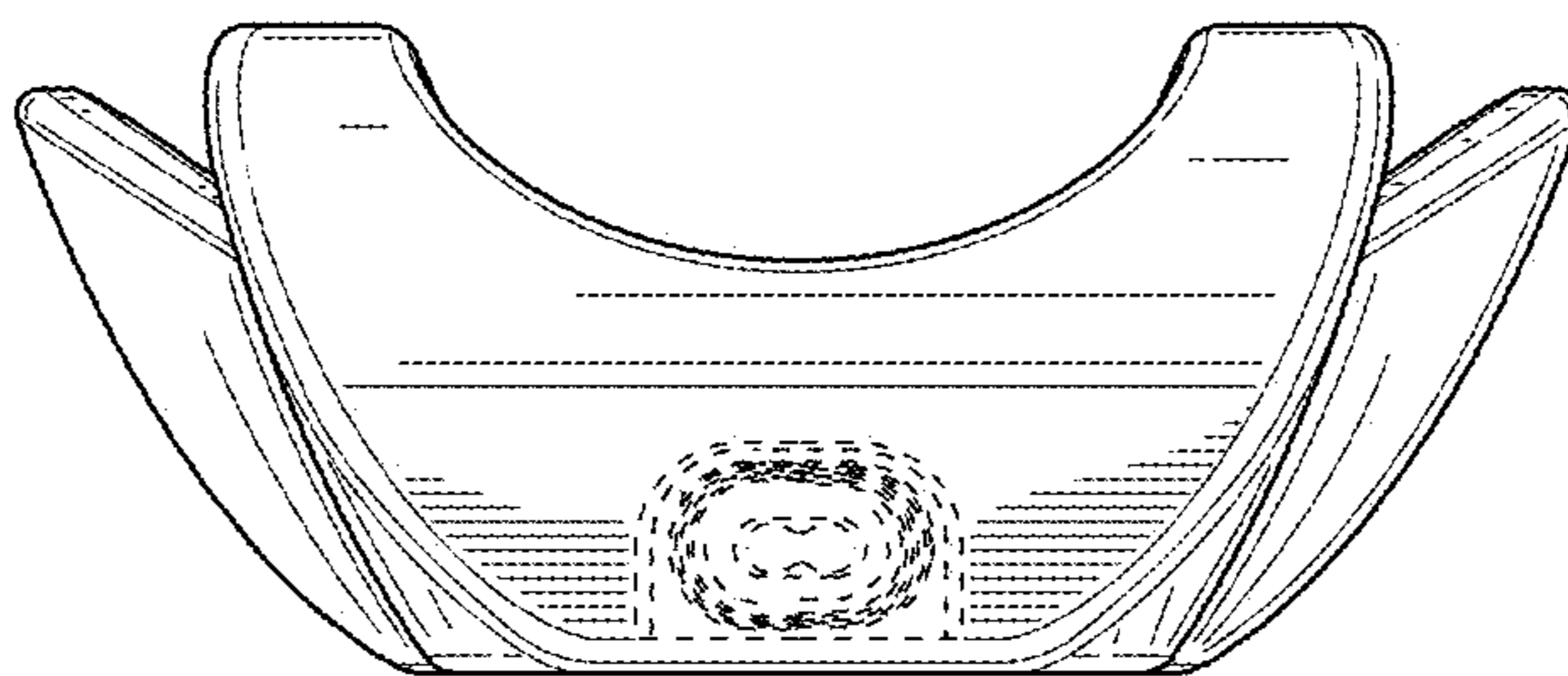


FIG. 3

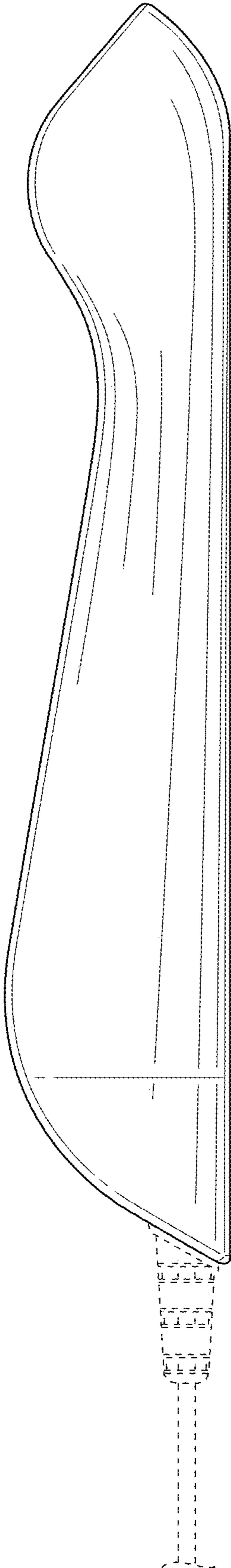


FIG. 4

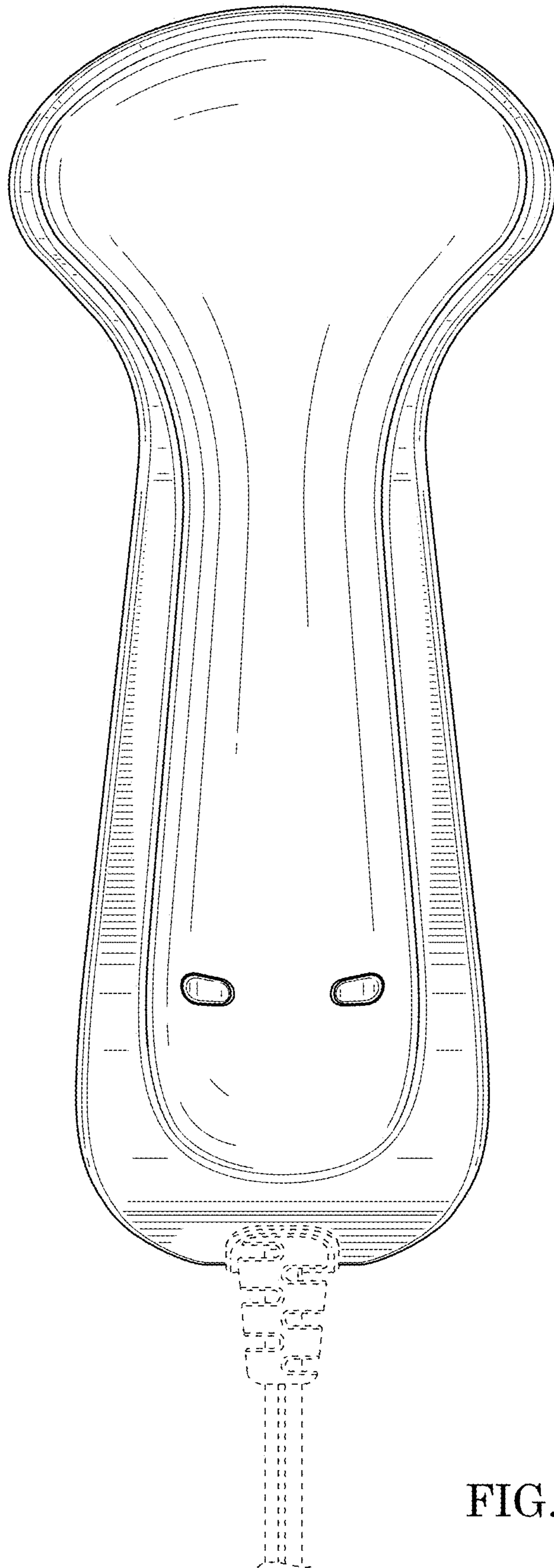


FIG. 5

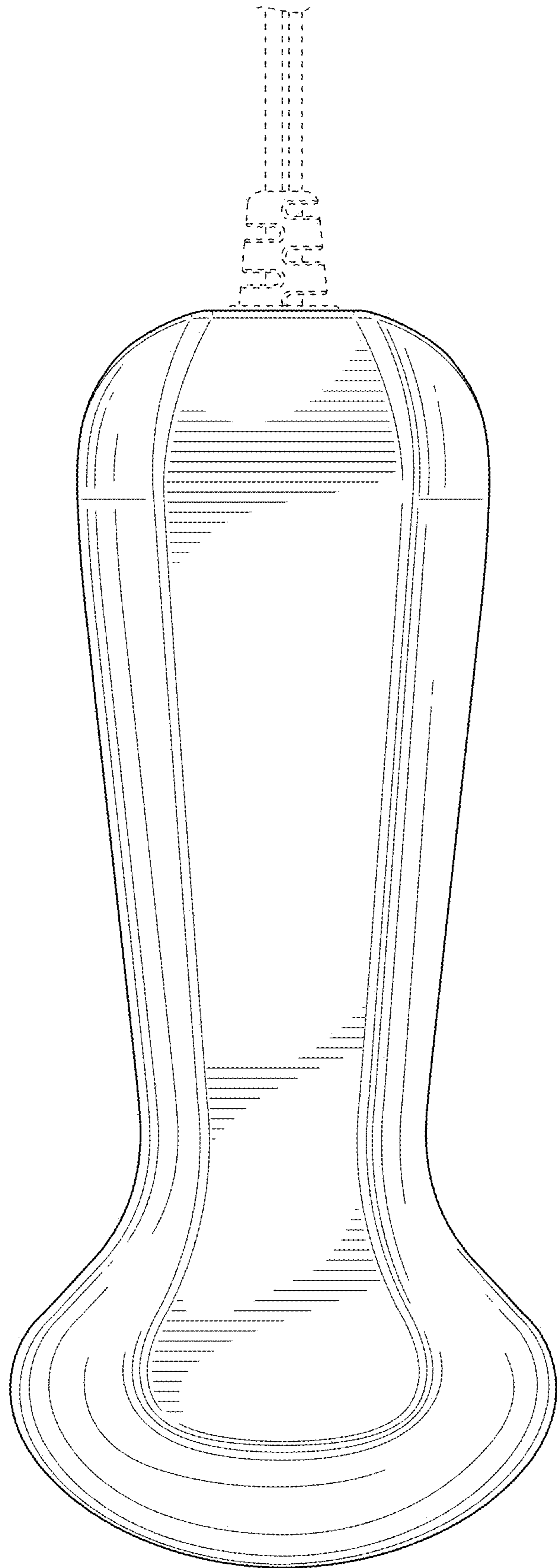


FIG. 6

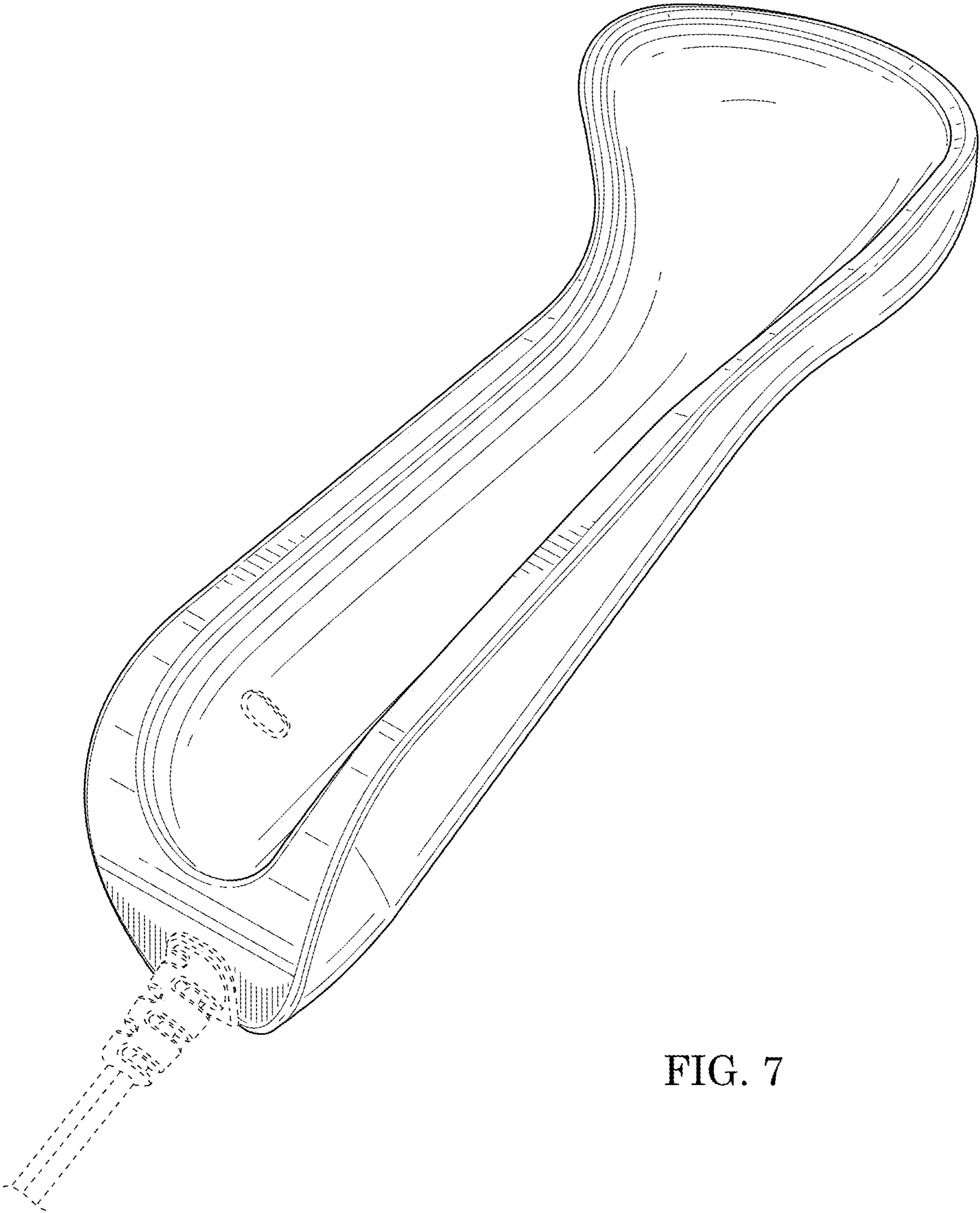


FIG. 7



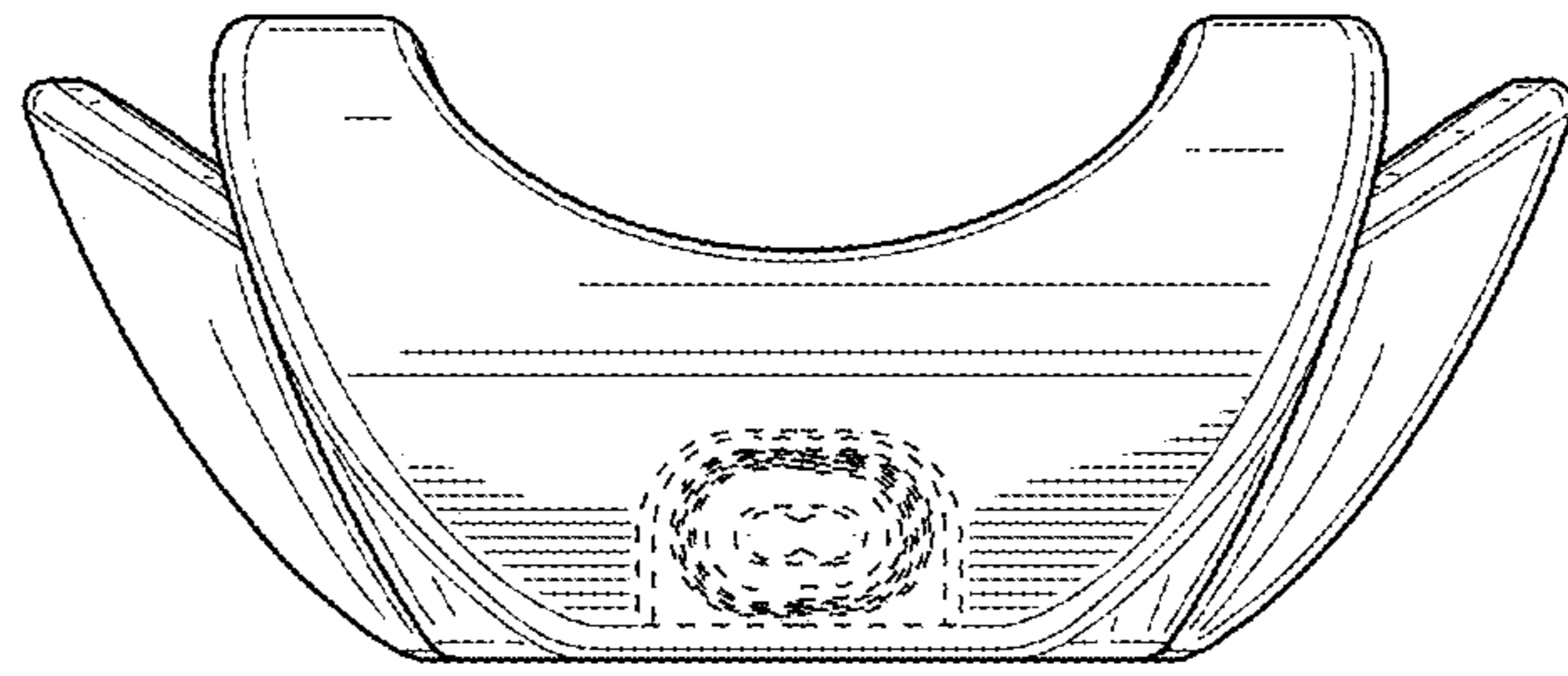


FIG. 8

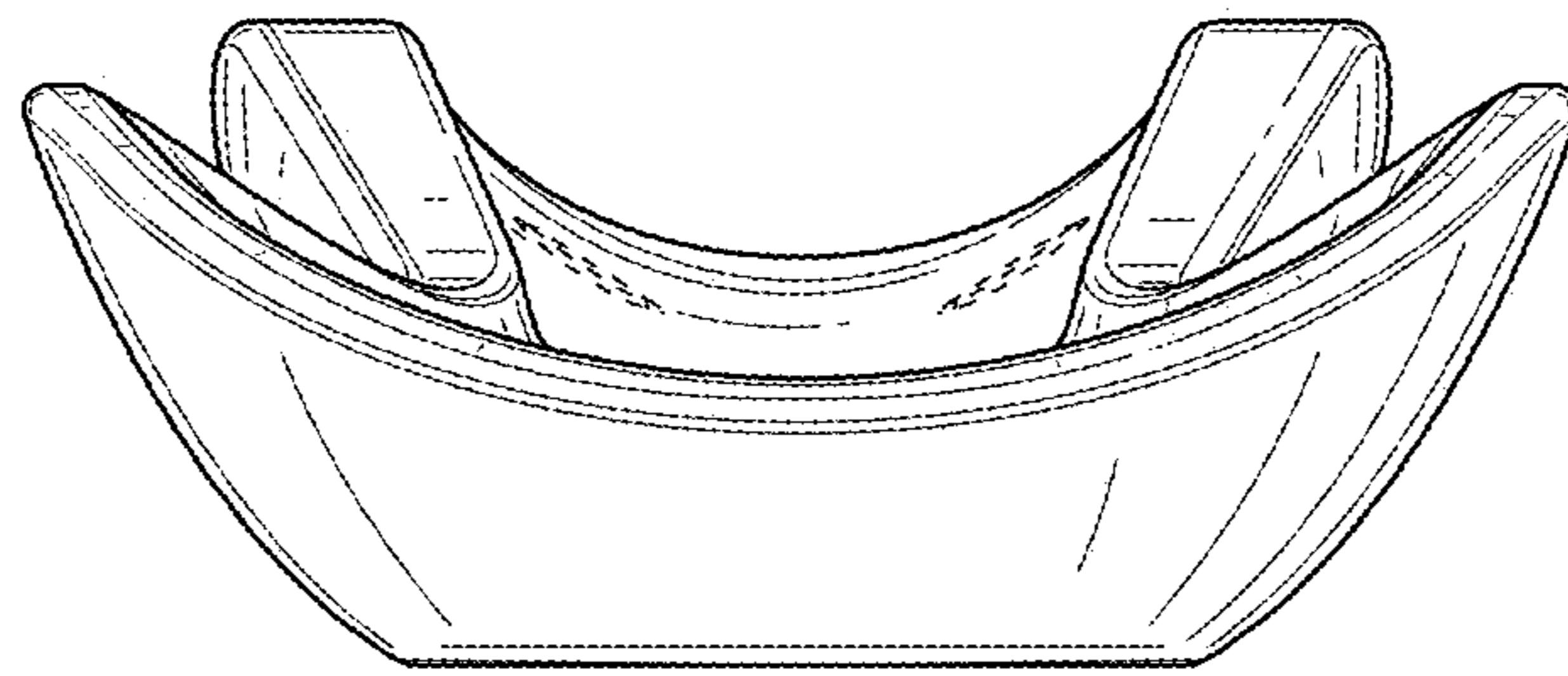


FIG. 9

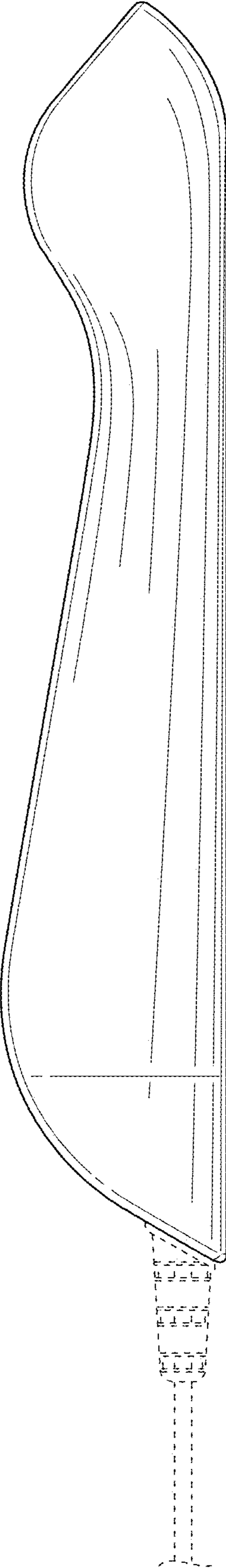


FIG. 10

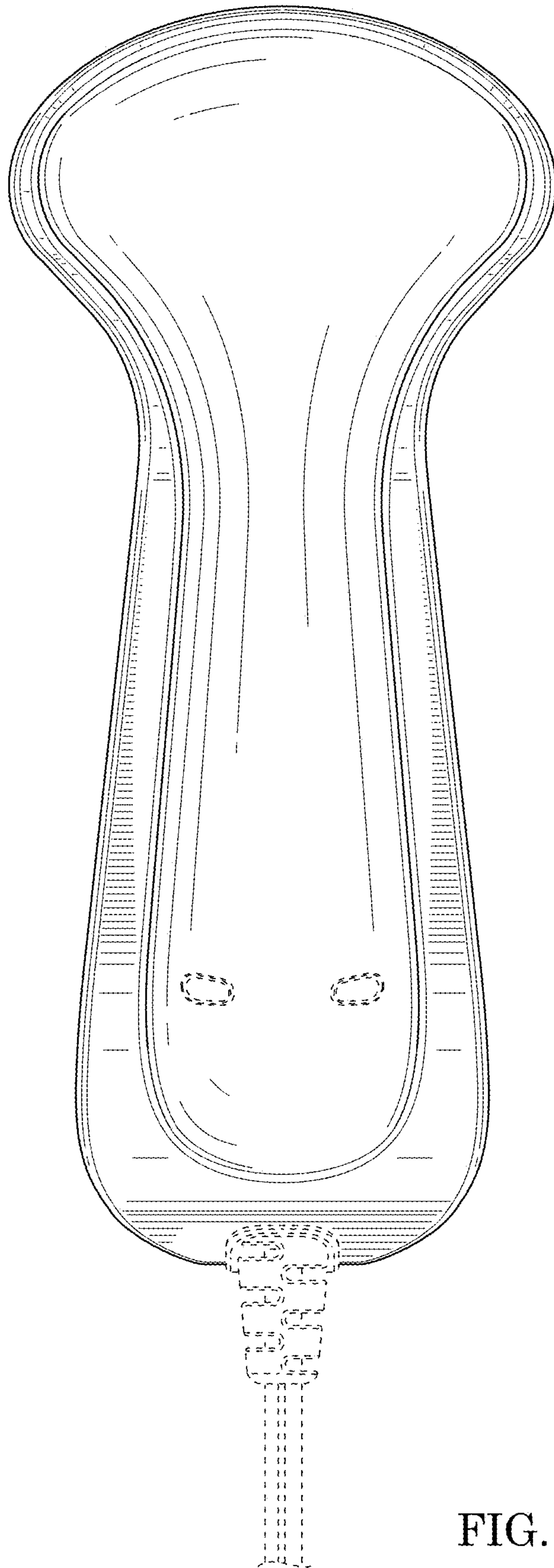


FIG. 11

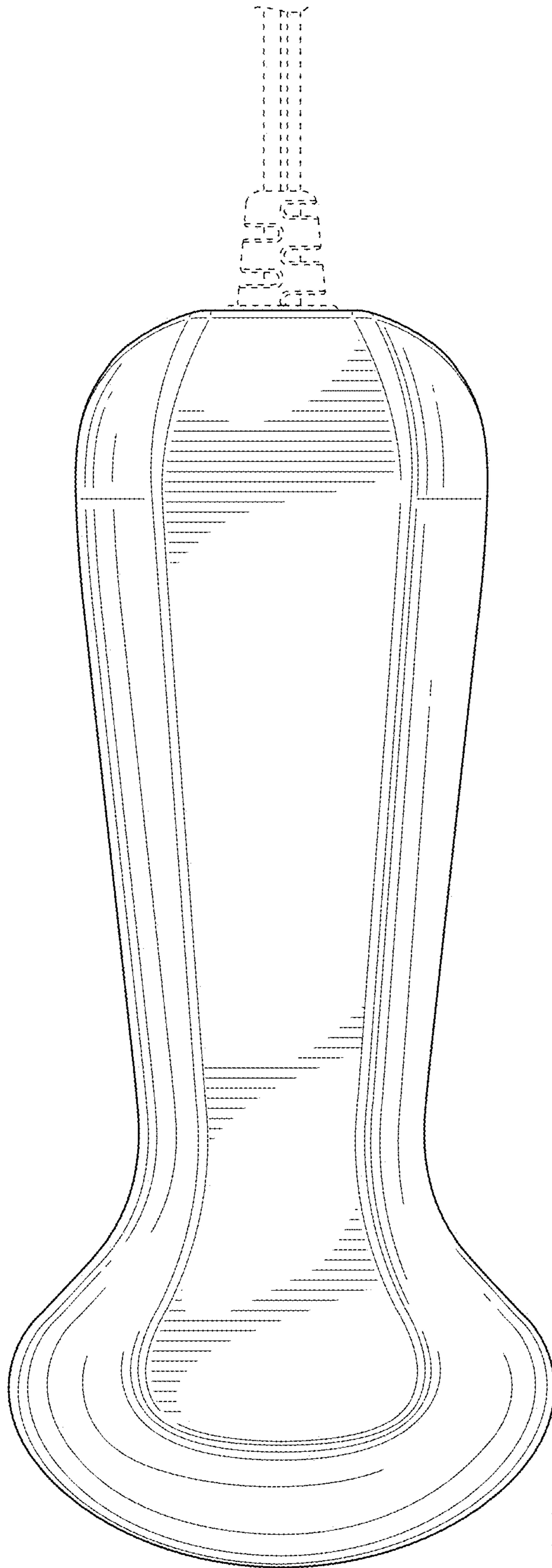


FIG. 12

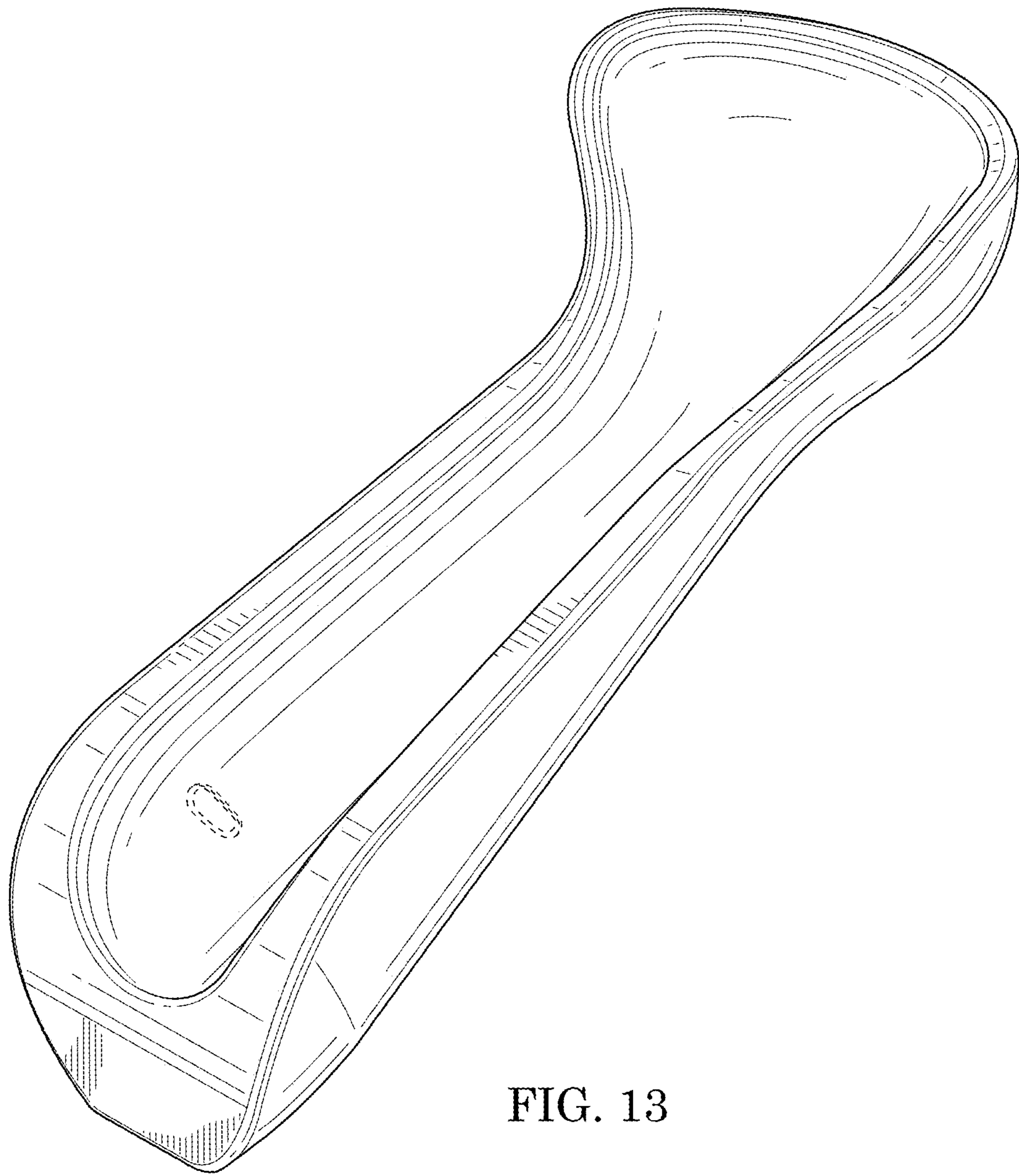


FIG. 13

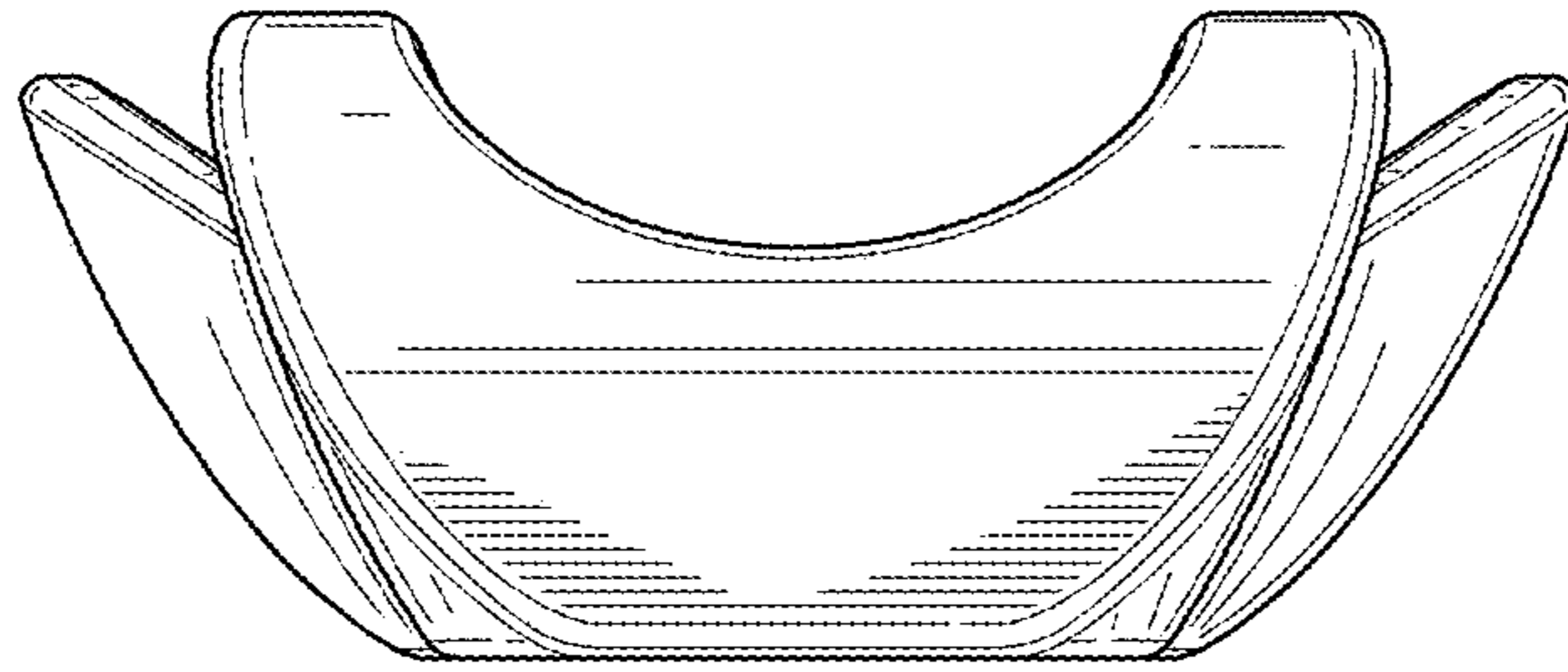


FIG. 14

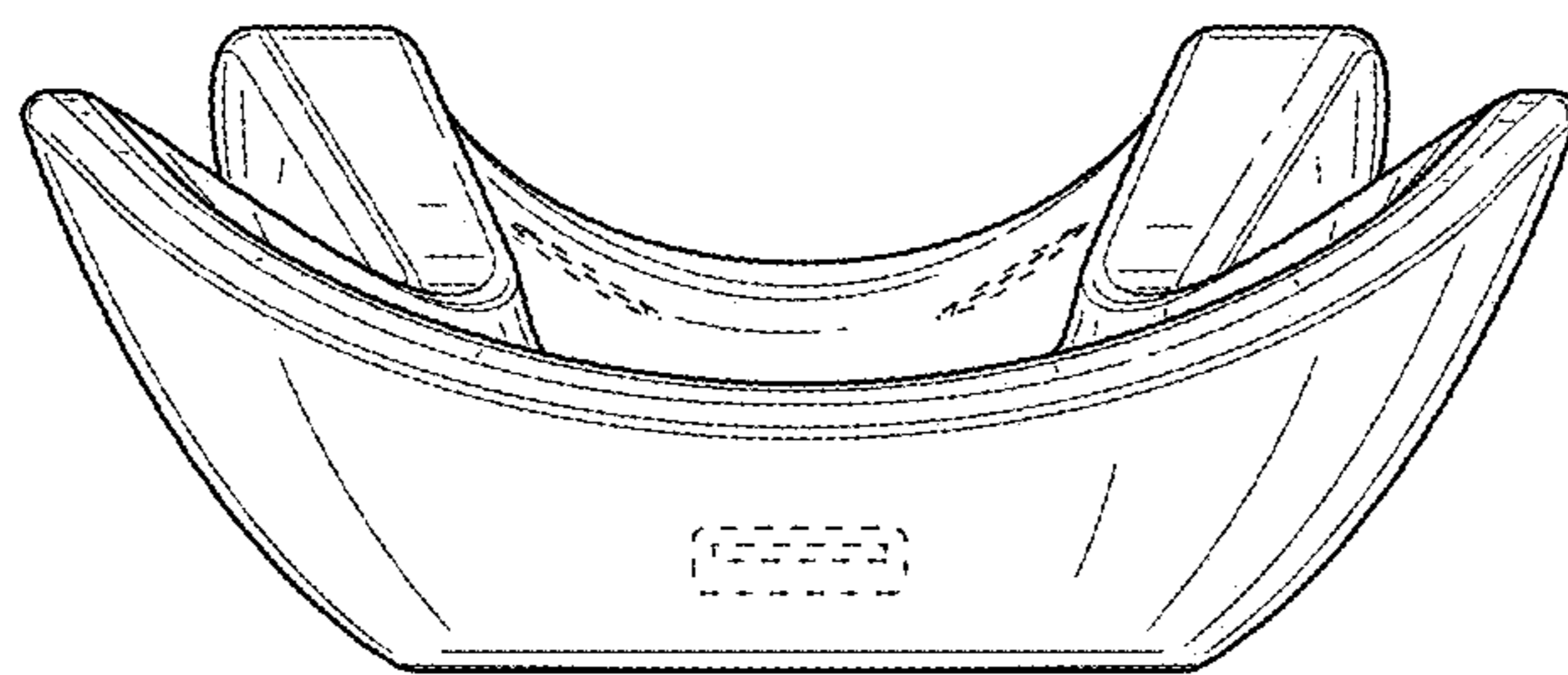


FIG. 15

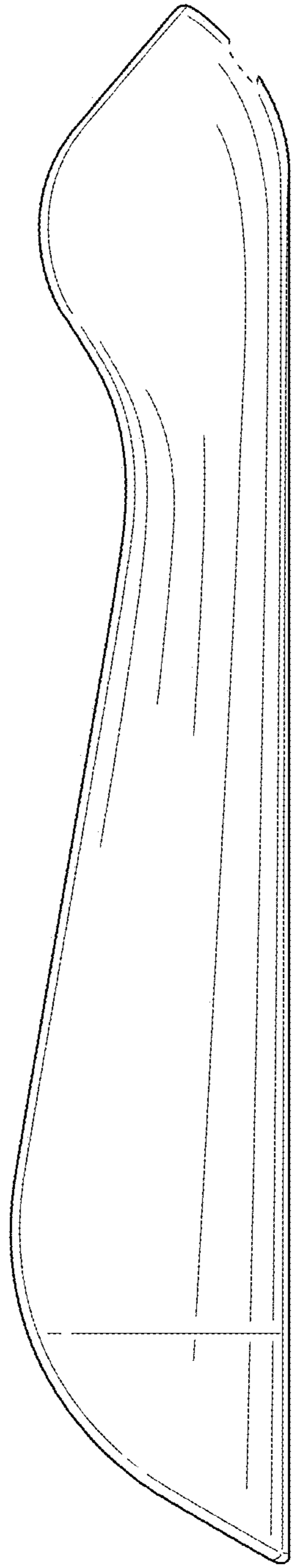


FIG. 16

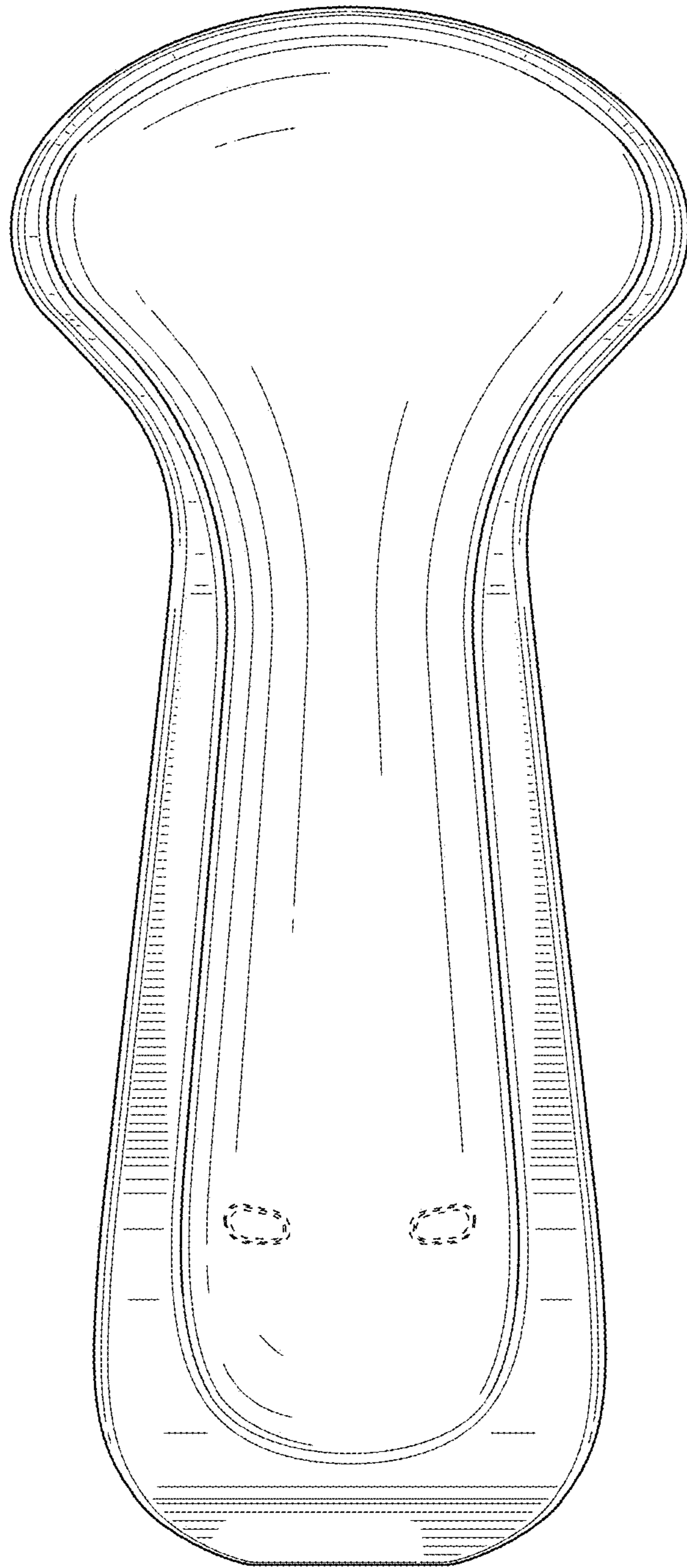


FIG. 17



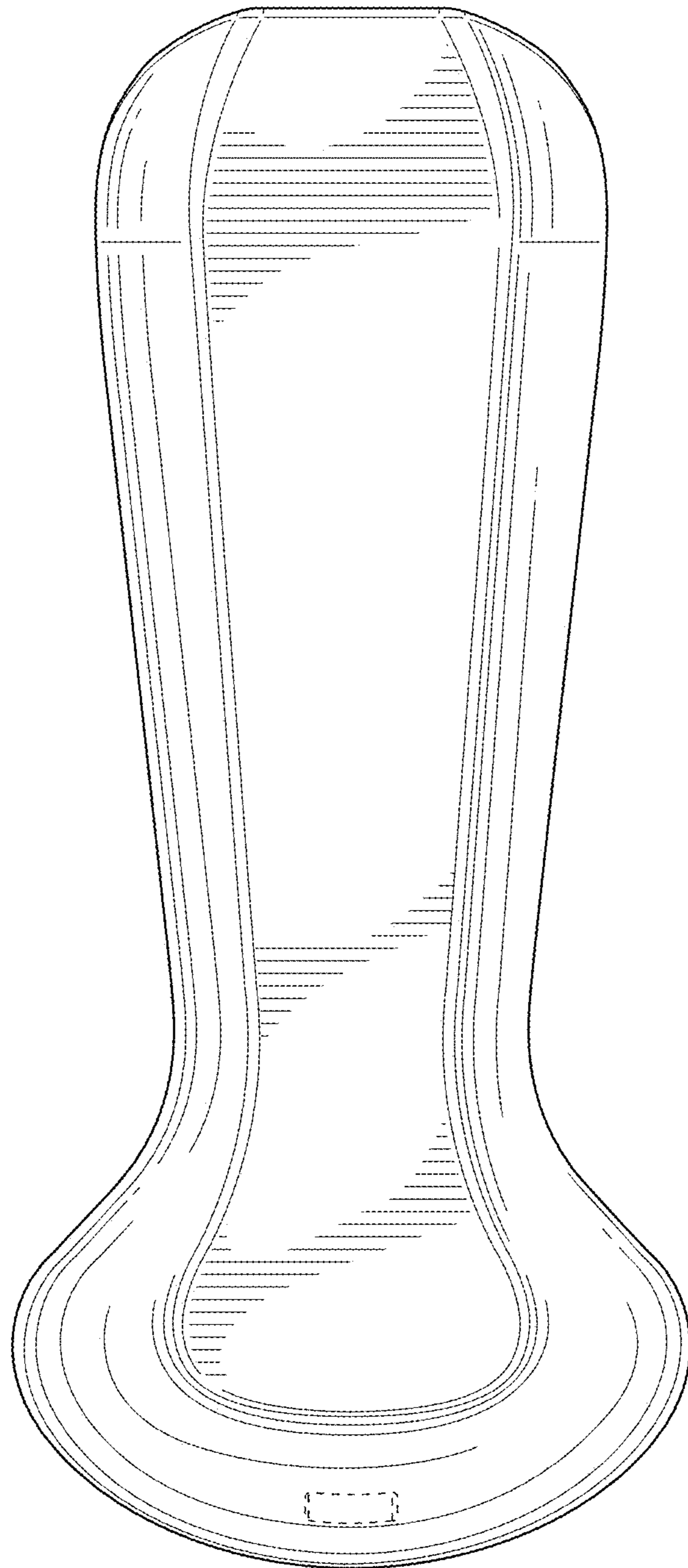


FIG. 18