



US00D952350S

(12) **United States Design Patent** (10) **Patent No.:** **US D952,350 S**
Altmann et al. (45) **Date of Patent:** **** May 24, 2022**

(54) **TOOTHBRUSH HEAD**

FOREIGN PATENT DOCUMENTS

(71) Applicant: **Braun GmbH**, Kronberg (DE)
(72) Inventors: **Niclas Altmann**, Schoeneck (DE);
Anke Renz, Schwalbach (DE); **Bianka
Becker-Salzsäuler**, Liederbach (DE);
Heidrun Schmelcher, Kronberg (DE);
Fritz Schubert, Bad Camberg (DE);
Ulrich Stoerkel, Bad Nauheim (DE)

CN 304108476 4/2017
KR 3008785860000 10/2016
WO DM093822 5/2017

OTHER PUBLICATIONS

U.S. Appl. No. 29/758,442, filed Nov. 16, 2020, Niclas Altmann.
(Continued)

(73) Assignee: **Braun GmbH**, Kronberg (DE)

Primary Examiner — W. A. Teddy Falloway

(**) Term: **15 Years**

Assistant Examiner — Katrina N Gonzalez

(74) *Attorney, Agent, or Firm* — Vladimir Vitenberg

(21) Appl. No.: **29/754,305**

(57) **CLAIM**

(22) Filed: **Oct. 9, 2020**

The ornamental design for a toothbrush head, as shown and described.

Related U.S. Application Data

DESCRIPTION

(62) Division of application No. 29/654,969, filed on Jun. 28, 2018, now Pat. No. Des. 902,600, which is a
(Continued)

FIG. 1 is a perspective view of a first embodiment of a toothbrush head;

(30) **Foreign Application Priority Data**

Oct. 14, 2015 (WO) 927982601

(51) **LOC (13) Cl.** **04-02**

(52) **U.S. Cl.**
USPC **D4/101**

(58) **Field of Classification Search**
USPC D4/100, 101, 104, 105–112, 116, 119,
D4/121, 127, 129, 130, 136, 137, 138;
(Continued)

FIG. 2 is a front view thereof;

FIG. 3 is a right side view thereof;

FIG. 4 is a rear view thereof;

FIG. 5 is a left side view thereof;

FIG. 6 is a top plan view thereof;

FIG. 7 is a bottom view thereof.

FIG. 8 is a perspective view of a second embodiment of a toothbrush head;

FIG. 9 is a front view thereof;

FIG. 10 is a right side view thereof;

FIG. 11 is a rear view thereof;

FIG. 12 is a left side view thereof;

FIG. 13 is a top plan view thereof; and,

FIG. 14 is a bottom view thereof.

The broken lines illustrate portions of the toothbrush head that form no part of the claimed design.

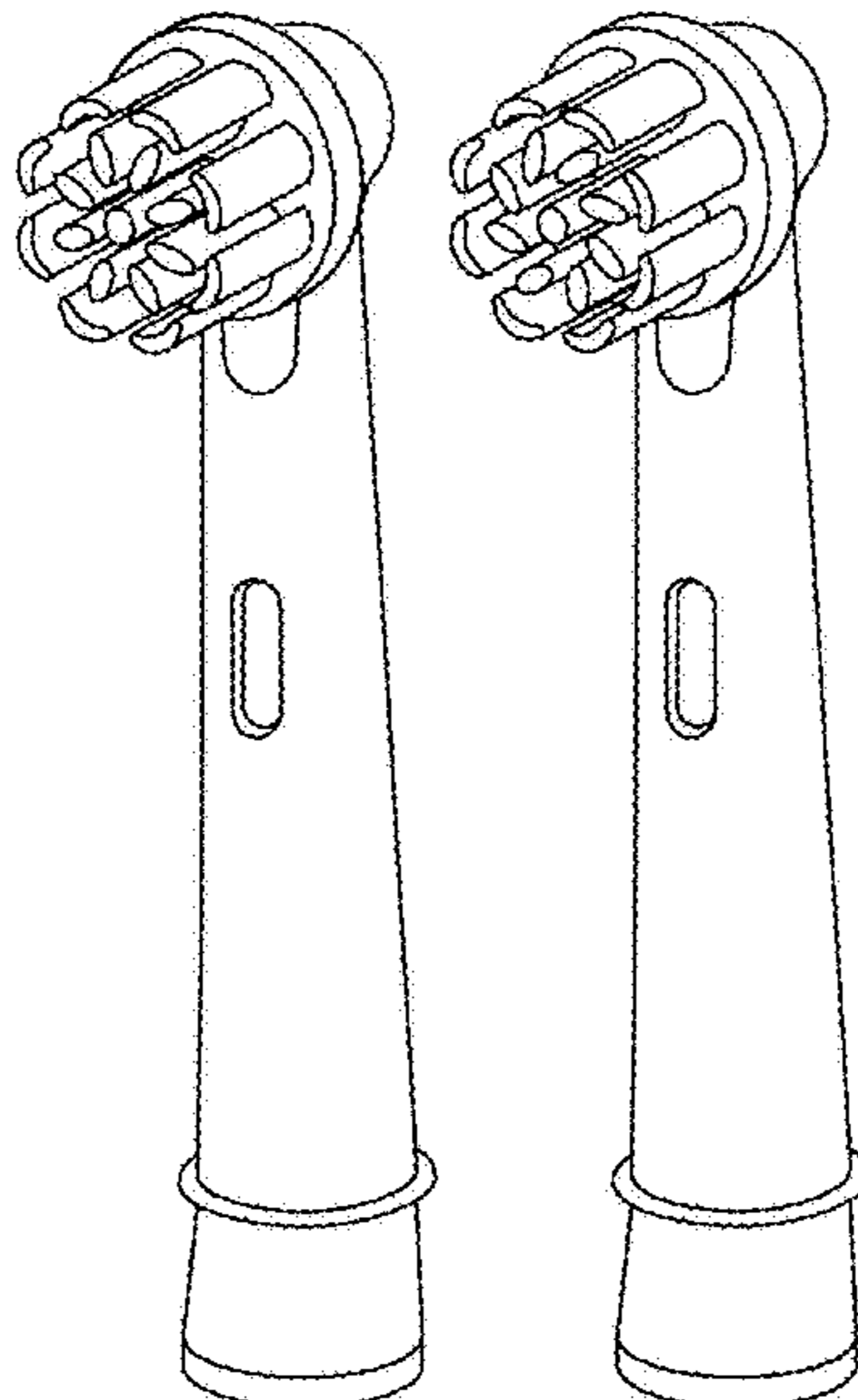
(56) **References Cited**

U.S. PATENT DOCUMENTS

D278,481 S 4/1985 Ditgen
D361,209 S 8/1995 Jousson et al.

(Continued)

1 Claim, 6 Drawing Sheets



Related U.S. Application Data

division of application No. 29/561,313, filed on Apr. 14, 2016, now Pat. No. Des. 824,174.

(58) **Field of Classification Search**

USPC D24/133, 152; D28/21, 33, 58, 59; D30/138, 139

CPC A46B 15/0081; A46B 2200/1026; A46B 3/22; A46B 9/005; A46B 9/026; A46B 9/06; A46B 15/0055; A46B 15/0075

See application file for complete search history.

(56) **References Cited**

U.S. PATENT DOCUMENTS

D459,892 S *	7/2002	Eliav	D4/101
D465,926 S *	11/2002	Eliav	D4/101
D480,875 S *	10/2003	De Salvo	D4/101
D483,183 S *	12/2003	De Salvo	D4/101
D485,439 S *	1/2004	Breit	D4/101
D487,636 S *	3/2004	De Salvo	D4/101
D501,605 S *	2/2005	Brown, Jr.	D4/101
D509,362 S *	9/2005	Maeda	D4/101
D577,199 S *	9/2008	Zhuan	D4/101
D579,664 S *	11/2008	Fisher	D4/101
D589,256 S	3/2009	Taylor et al.	
D611,712 S	3/2010	Stoerkel et al.	
D612,611 S *	3/2010	Brown, Jr.	D4/101
D632,894 S *	2/2011	Shigeno	D4/101
D652,626 S	1/2012	Gebski	
D657,565 S	4/2012	Gebski	
D676,660 S	2/2013	Crossman	
D688,045 S	8/2013	Key et al.	
D689,698 S *	9/2013	Dickie	D4/101
D703,443 S *	4/2014	Gatzemeyer	D4/101
D706,033 S	6/2014	Dickie et al.	
D724,845 S	3/2015	Yoshida	

D759,383 S	6/2016	Watkins	
D775,469 S	1/2017	Sikora et al.	
D775,835 S	1/2017	Yoshida et al.	
D793,735 S *	8/2017	Zavalloni	D4/102
D824,174 S *	7/2018	Altmann	D4/101
D830,699 S *	10/2018	Liu	D4/101
D846,881 S *	4/2019	Altmann	D4/101
D854,834 S *	7/2019	Altmann	D4/101
D863,772 S *	10/2019	Hu	D4/101
D863,773 S *	10/2019	Hu	D4/101
D868,476 S	12/2019	Papazian	
D868,477 S	12/2019	Papazian	
D868,478 S	12/2019	Papazian	
D868,479 S	12/2019	Papazian	
D868,480 S	12/2019	Papazian	
D868,481 S	12/2019	Papazian	
D869,852 S	12/2019	Papazian	
D869,853 S	12/2019	Papazian	
D869,854 S	12/2019	Papazian	
D874,156 S	2/2020	Altmann et al.	
D885,060 S	5/2020	Orkin	
D902,600 S *	11/2020	Altmann	D4/101
D906,679 S *	1/2021	Yang	D4/101
D907,368 S *	1/2021	Yang	D4/101
D907,369 S *	1/2021	Yang	D4/101
2009/0007357 A1 *	1/2009	Meadows	A46B 9/005 15/167.1
2017/0128178 A1	5/2017	Schmidt et al.	
2018/0140404 A1 *	5/2018	Schaefer	A61C 17/34
2019/0125065 A1	5/2019	Altmann	

OTHER PUBLICATIONS

All Office Actions, U.S. Appl. No. 29/654,969.
 All Office Actions, U.S. Appl. No. 29/758,442.
 All Office Actions, U.S. Appl. No. 29/561,313.

* cited by examiner

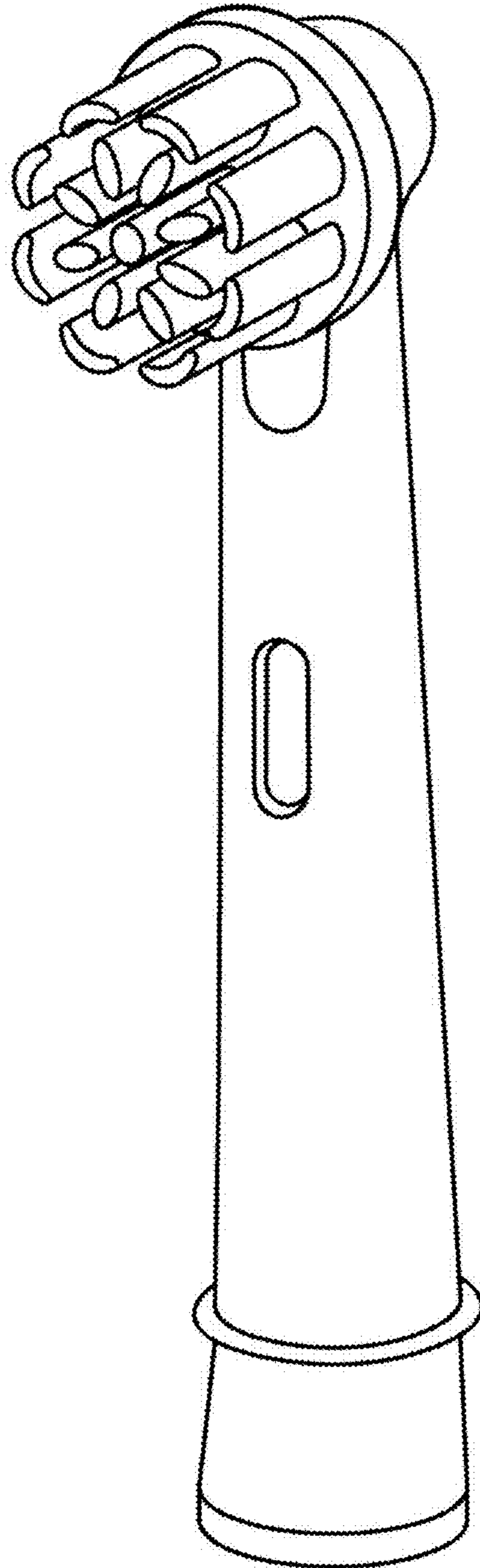


FIG. 1

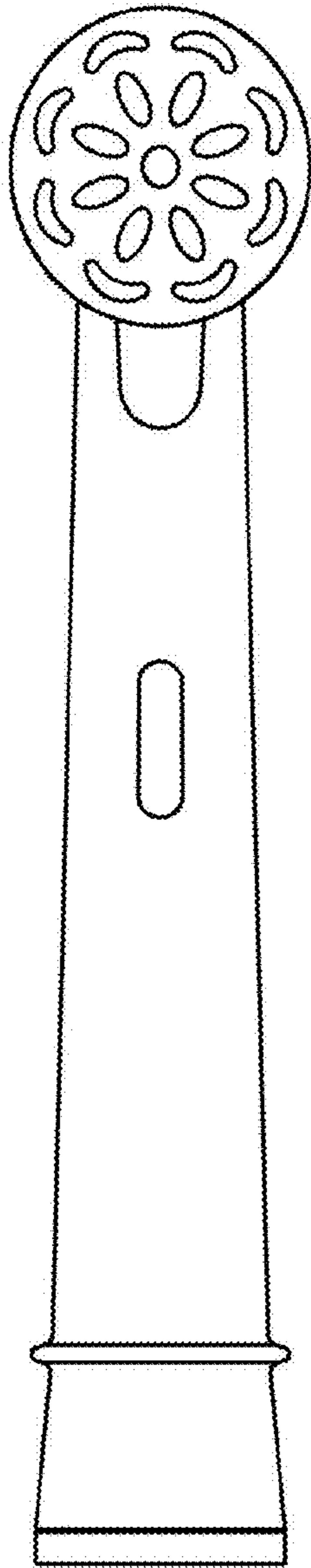


FIG. 2

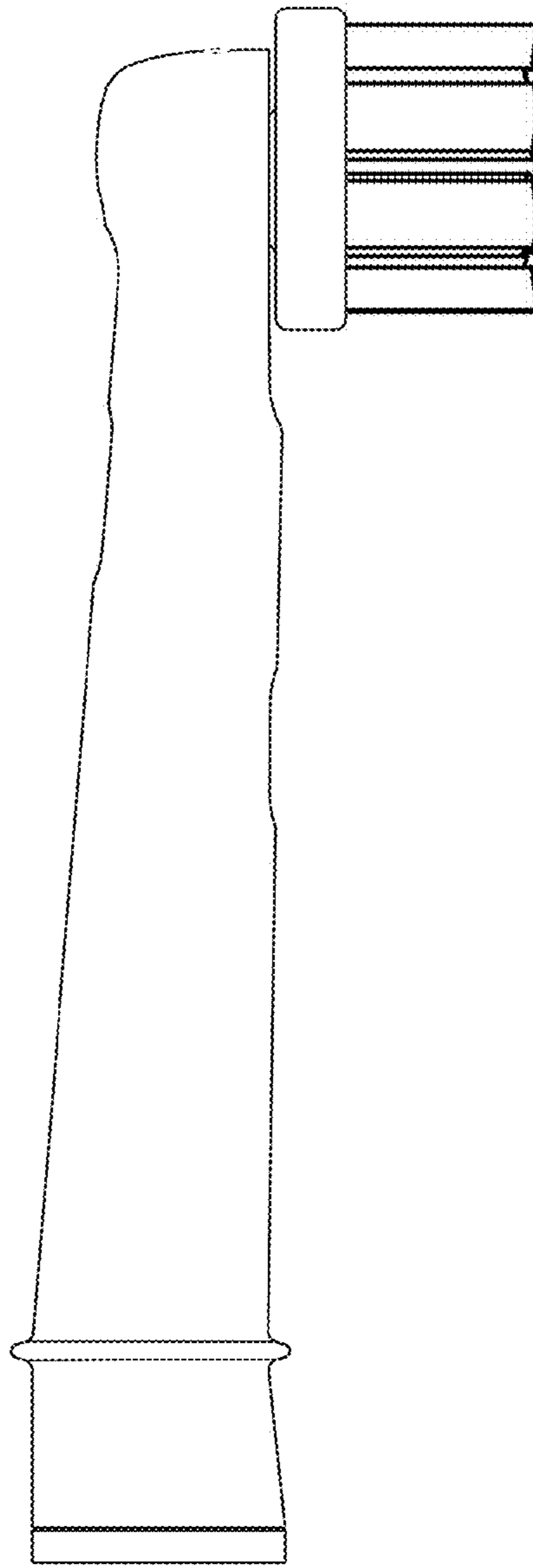


FIG. 3

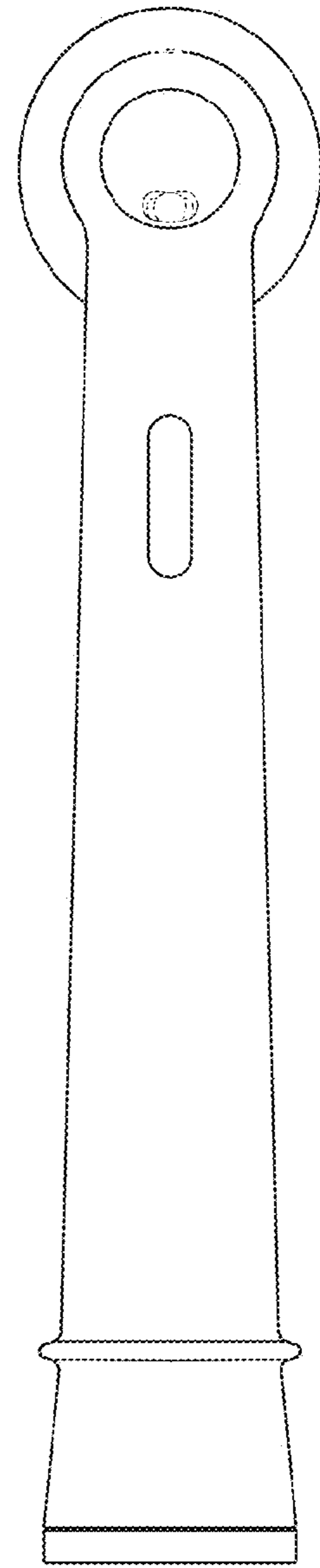


FIG. 4

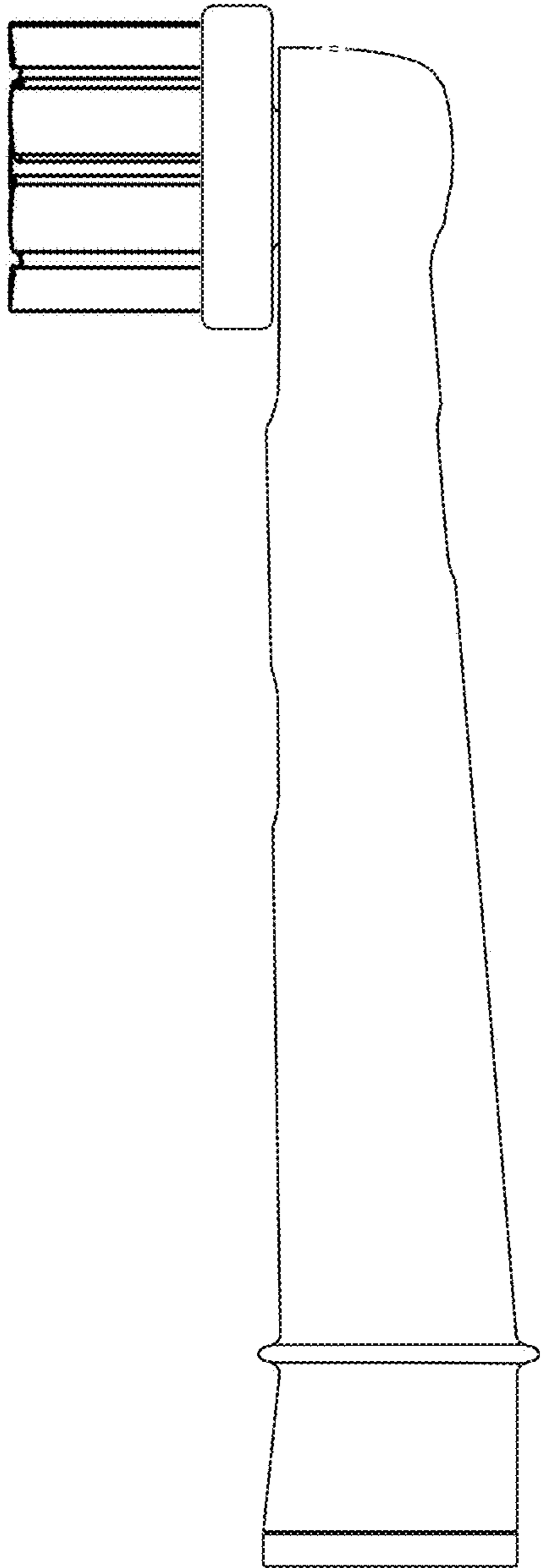


FIG. 5

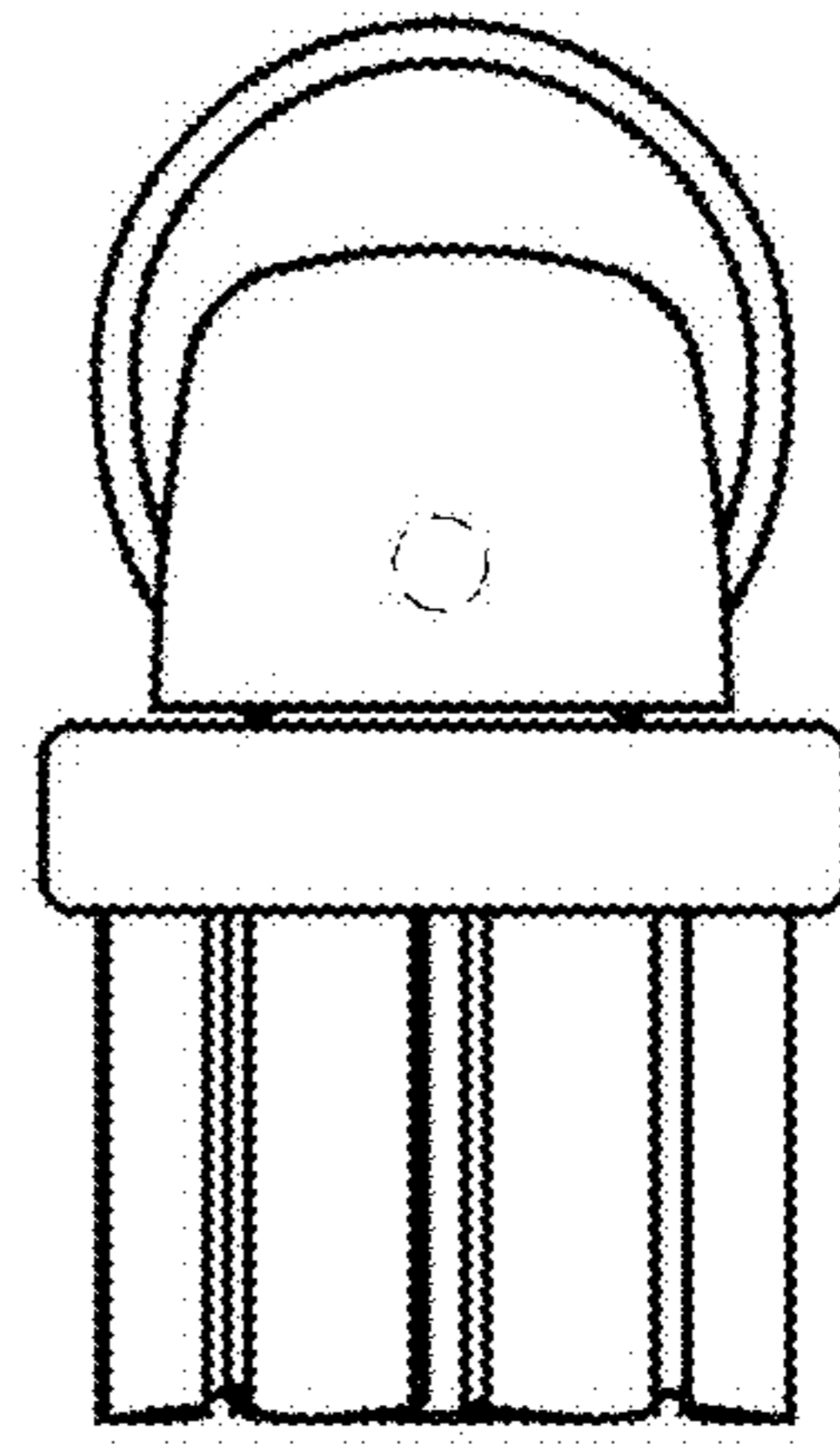


FIG. 6

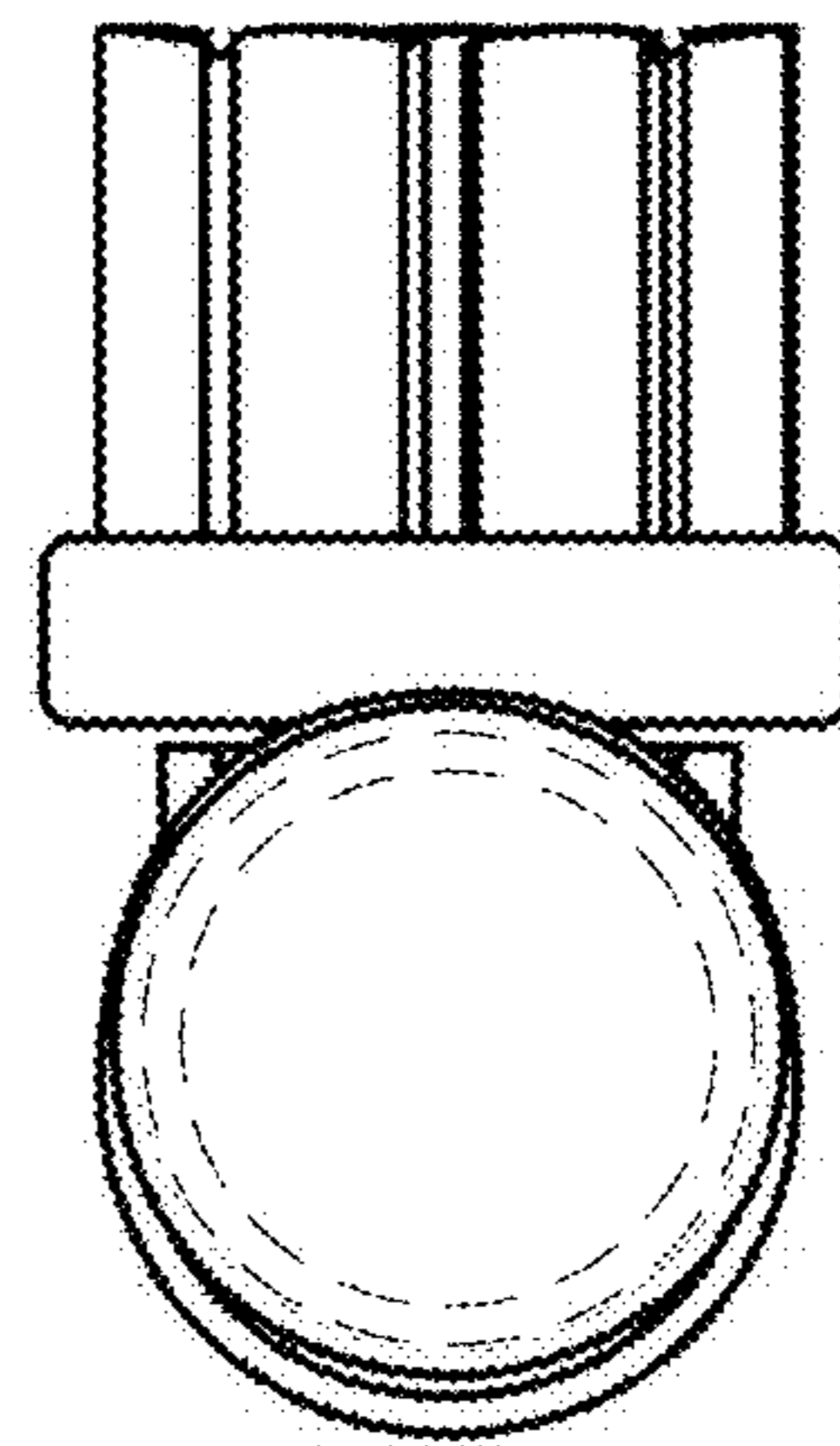


FIG. 7

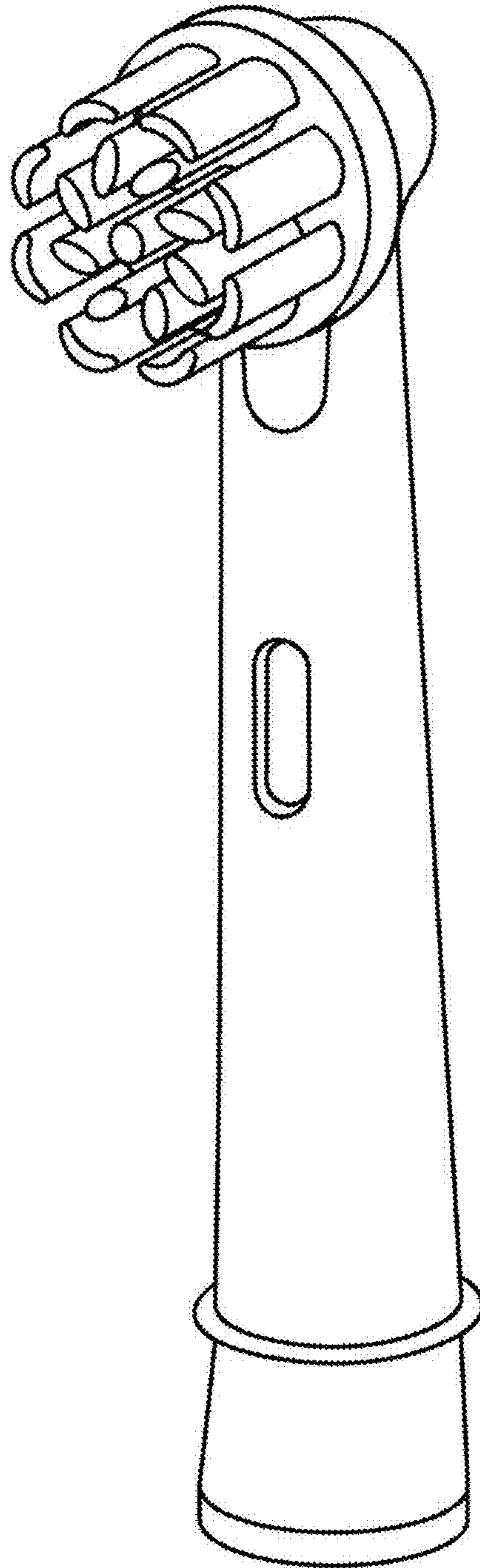


FIG. 8

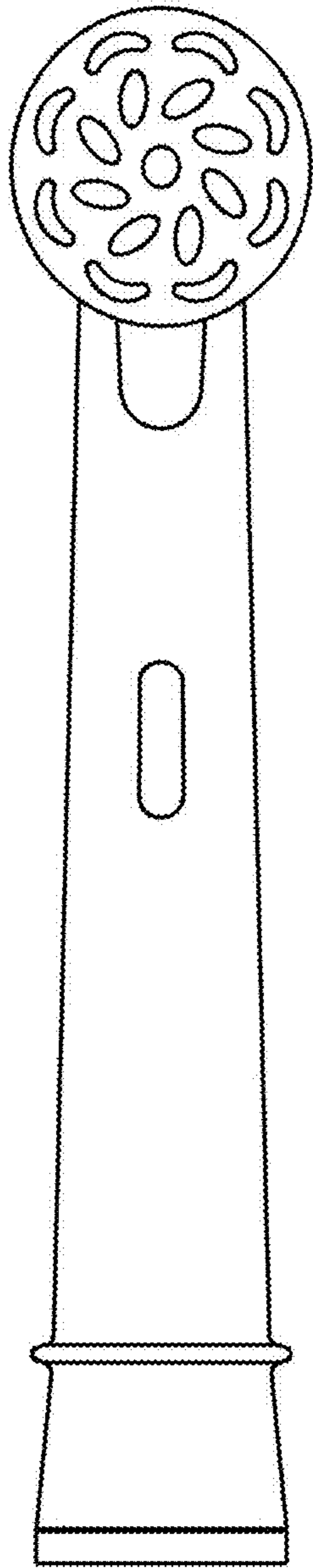


FIG. 9

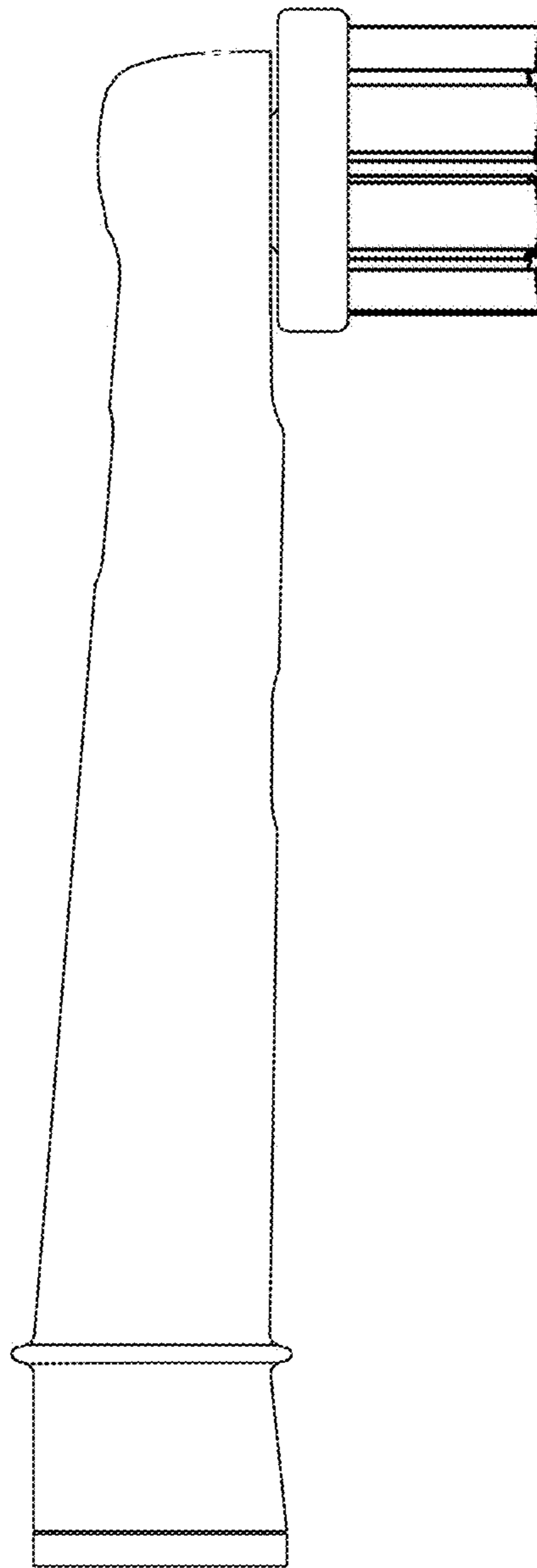


FIG. 10

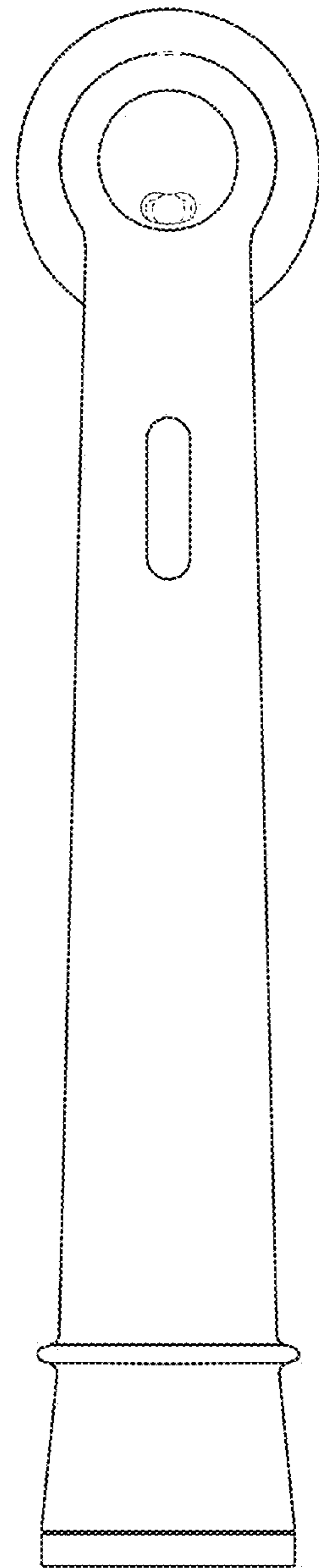


FIG. 11

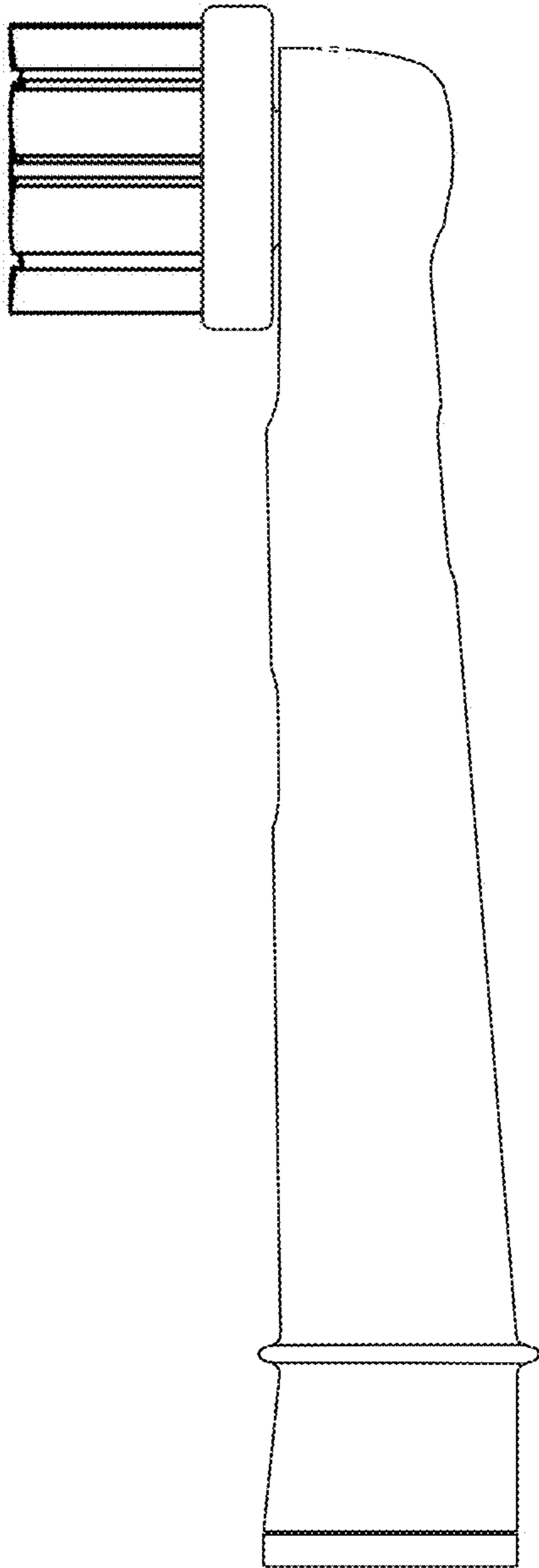


FIG. 12

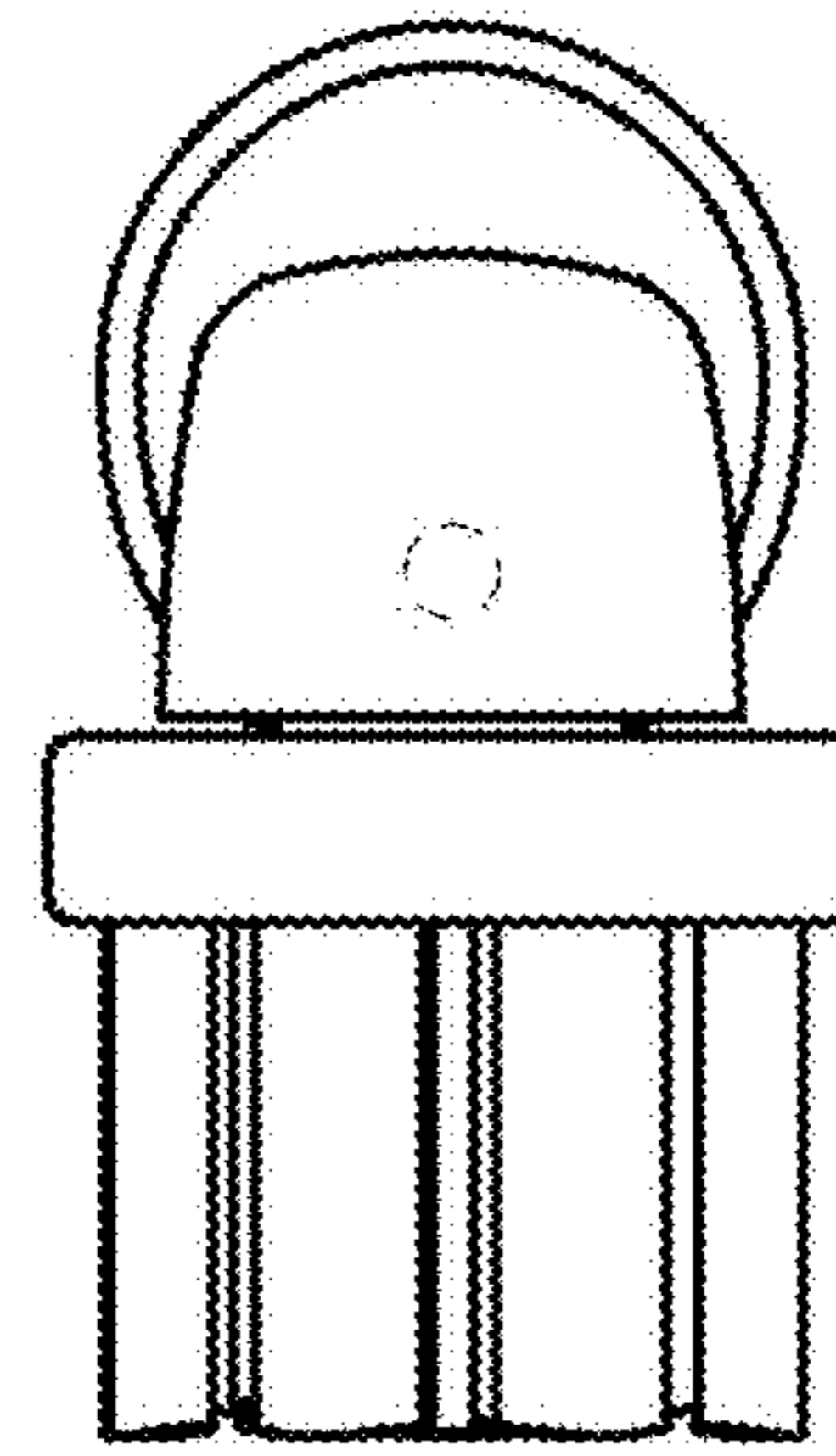


FIG. 13

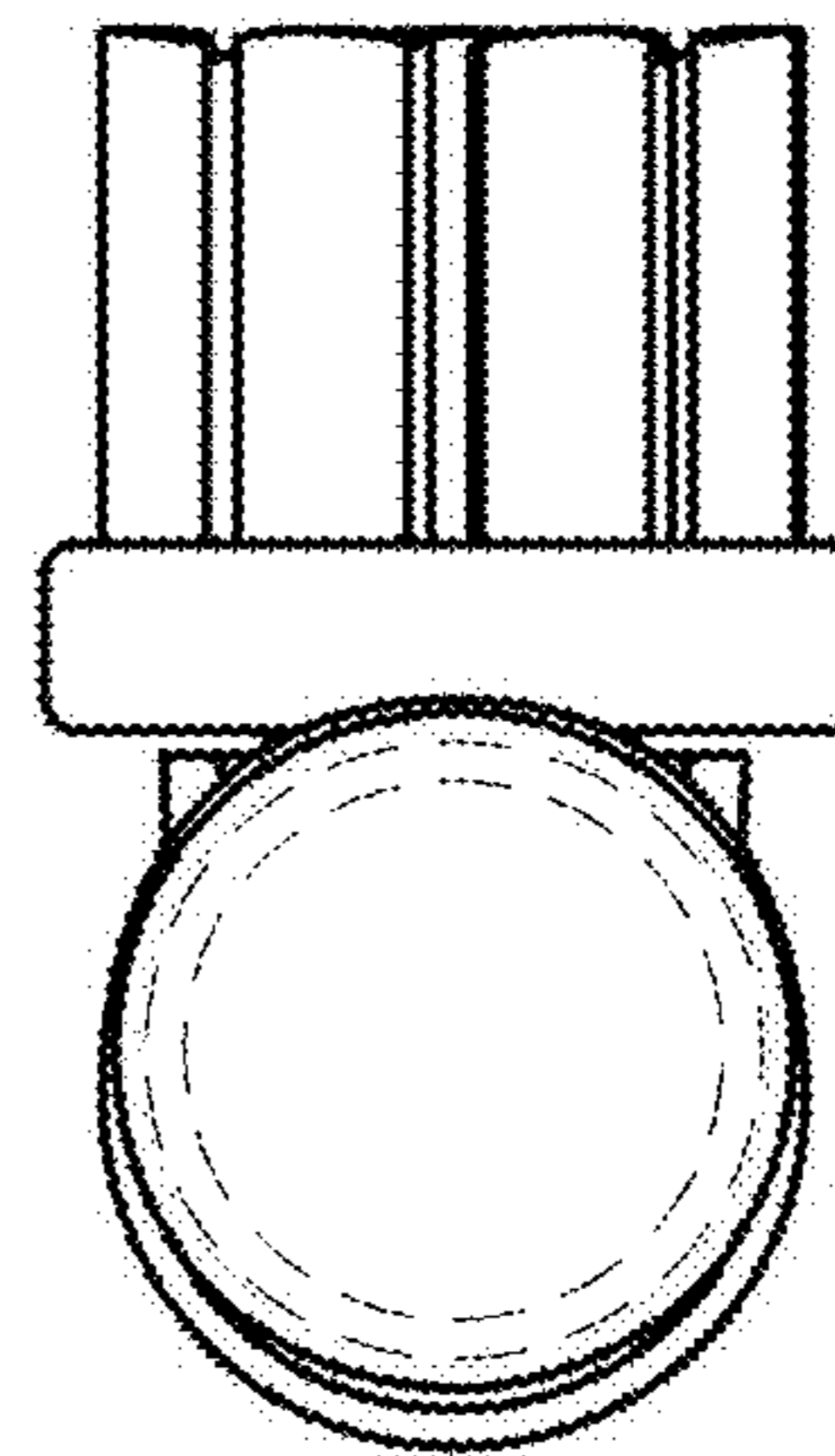


FIG. 14