



US00D952347S

(12) **United States Design Patent**
Park et al.

(10) **Patent No.:** **US D952,347 S**
(45) **Date of Patent:** **** May 24, 2022**

(54) **COMBINATION SCALP CLEANSING BRUSH AND CRADLE**

(71) Applicant: **LG ELECTRONICS INC.**, Seoul (KR)

(72) Inventors: **Sunjung Park**, Seoul (KR); **Daekee Shin**, Seoul (KR); **Hophil Lee**, Seoul (KR)

(73) Assignee: **LG ELECTRONICS INC.**, Seoul (KR)

(**) Term: **15 Years**

(21) Appl. No.: **29/768,336**

(22) Filed: **Jan. 28, 2021**

(30) **Foreign Application Priority Data**

Jul. 29, 2020 (KR) 30-2020-0035140

(51) **LOC (13) Cl.** **28-03**

(52) **U.S. Cl.**
USPC **D4/100**

(58) **Field of Classification Search**
USPC D4/100, 102, 121, 127, 126, 128, 129, D4/130, 132, 133, 134, 135, 136, 138, D4/199; D24/211, 214, 215, 200; D30/158, 159, 160; D32/35
CPC A46B 2200/1006; A46B 2200/102; A46B 2200/10
See application file for complete search history.

(56) **References Cited**

U.S. PATENT DOCUMENTS

D45,441 S * 3/1914 Williams D28/63
1,103,669 A * 7/1914 Gibbs 601/20
3,368,554 A * 2/1968 Chou A61H 7/003
601/137
D217,519 S * 5/1970 Madl et al. D4/127

D245,856 S * 9/1977 Grube D23/223
D249,893 S * 10/1978 Armbruster D24/211
D533,355 S * 12/2006 Rusk D4/132
D575,015 S * 8/2008 Roberts D32/29.1
D624,713 S * 9/2010 Rutherford D30/160
D700,412 S * 2/2014 Loebach D32/29.1
D707,835 S * 6/2014 Domoto D24/200
D746,062 S * 12/2015 Pan D4/127
D784,026 S * 4/2017 Shen D4/128
D848,011 S * 5/2019 Champeval D24/215
D849,263 S * 5/2019 Soutelo Gomes D24/215
D852,367 S * 6/2019 Sargent D24/187
D853,127 S * 7/2019 Kling D4/127
D866,092 S * 11/2019 Liang D30/158

(Continued)

Primary Examiner — Karen E Eldridge Powers

(74) *Attorney, Agent, or Firm* — Birch, Stewart, Kolasch & Birch, LLP

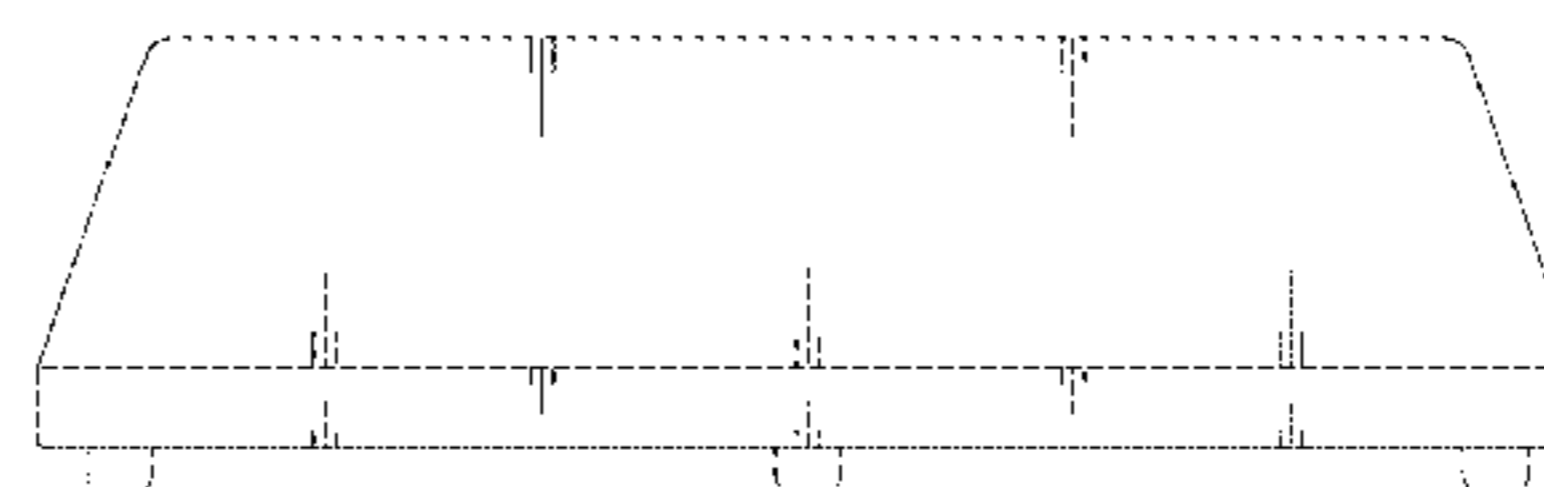
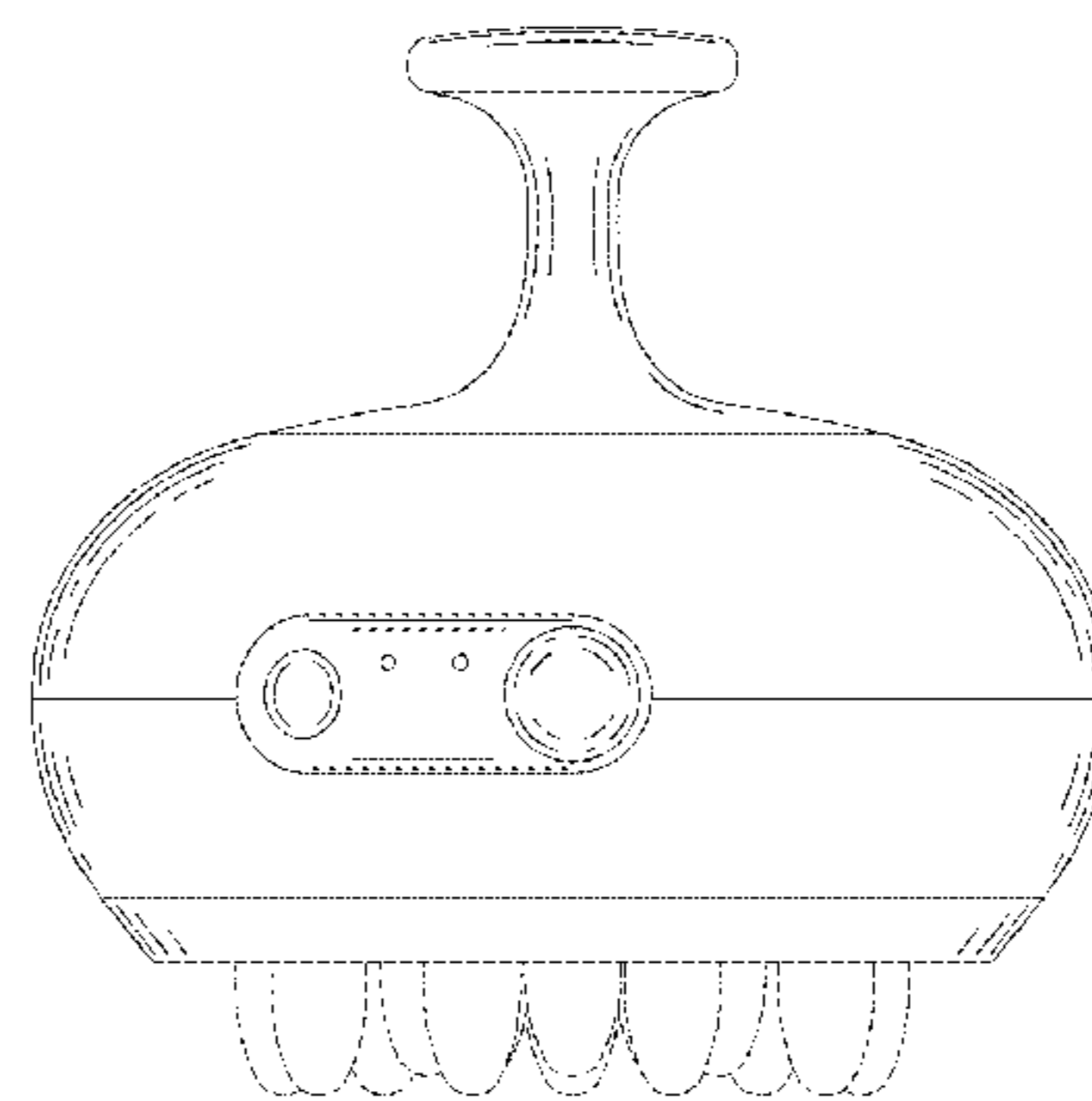
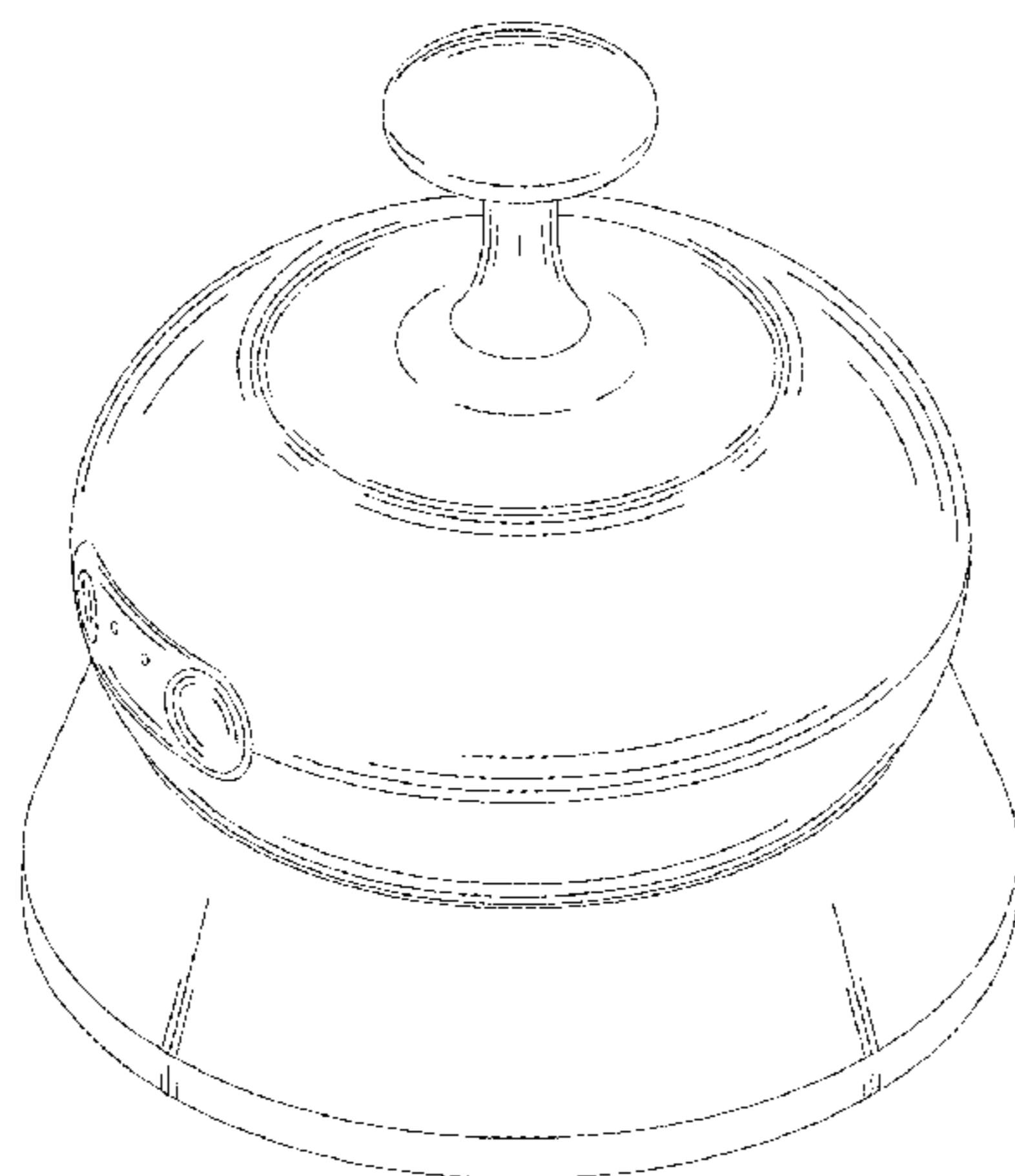
(57) **CLAIM**

The ornamental design for a combination scalp cleansing brush and cradle, as shown and described.

DESCRIPTION

FIG. 1 is a front perspective view of the combination scalp cleansing brush and cradle showing our new design; FIG. 2 is a front elevation view thereof; FIG. 3 is a back elevation view thereof; FIG. 4 is a left side elevation view thereof; FIG. 5 is a right side elevation view thereof; FIG. 6 is a top plan view thereof; FIG. 7 is a bottom plan view thereof; and, FIG. 8 is an exploded view showing the exploded state of the upper cleansing part and the lower cradle part. The dash-dash broken lines depict portions of the combination scalp cleansing brush and cradle that form no part of the claimed design. The dot-dash broken line in FIG. 7 defines the bounds of the claimed design and forms no part thereof.

1 Claim, 8 Drawing Sheets



(56)

References Cited

U.S. PATENT DOCUMENTS

D897,688 S * 10/2020 Li D4/128
D906,691 S * 1/2021 Shi D4/130

* cited by examiner

FIG. 1

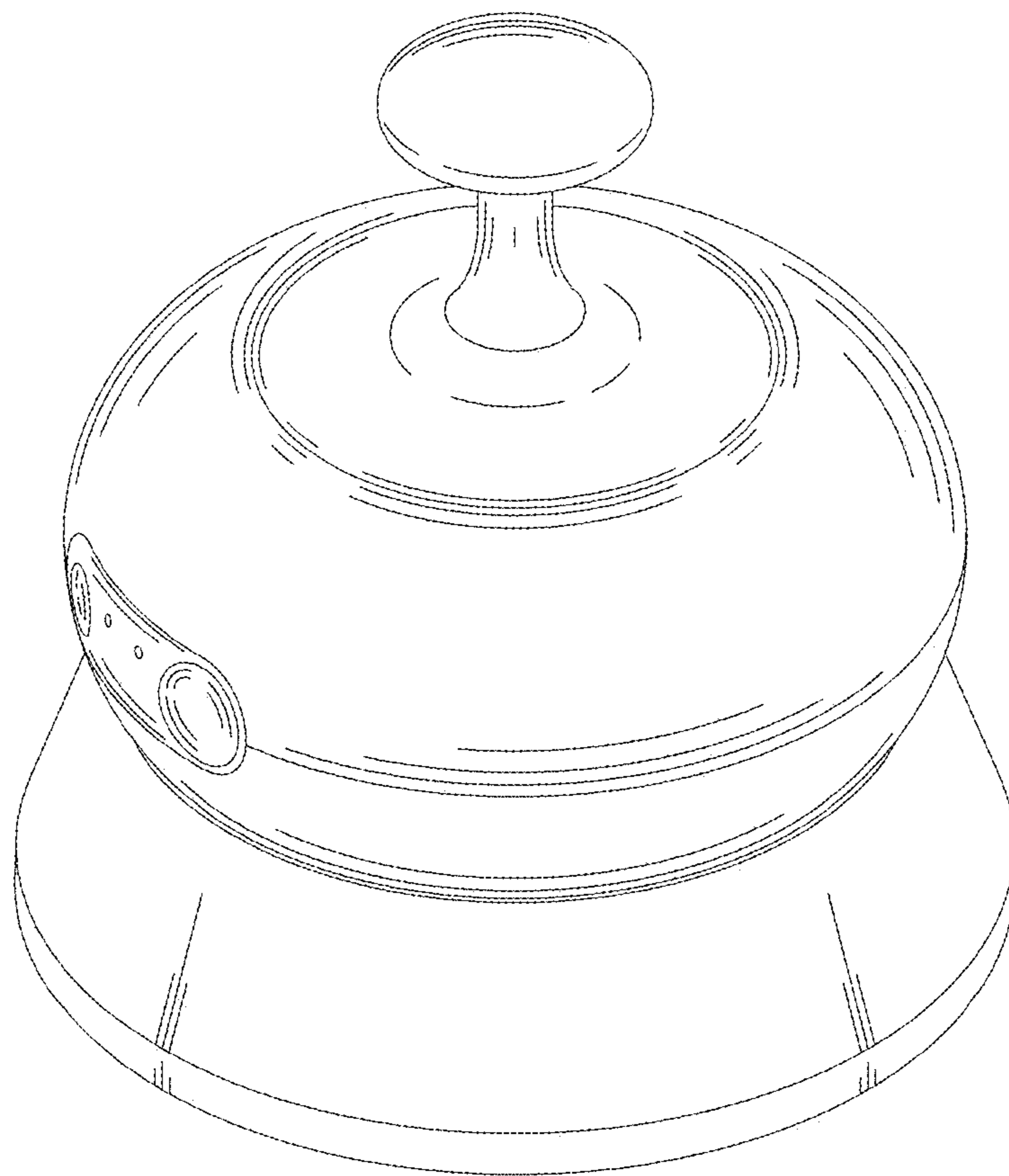


FIG. 2

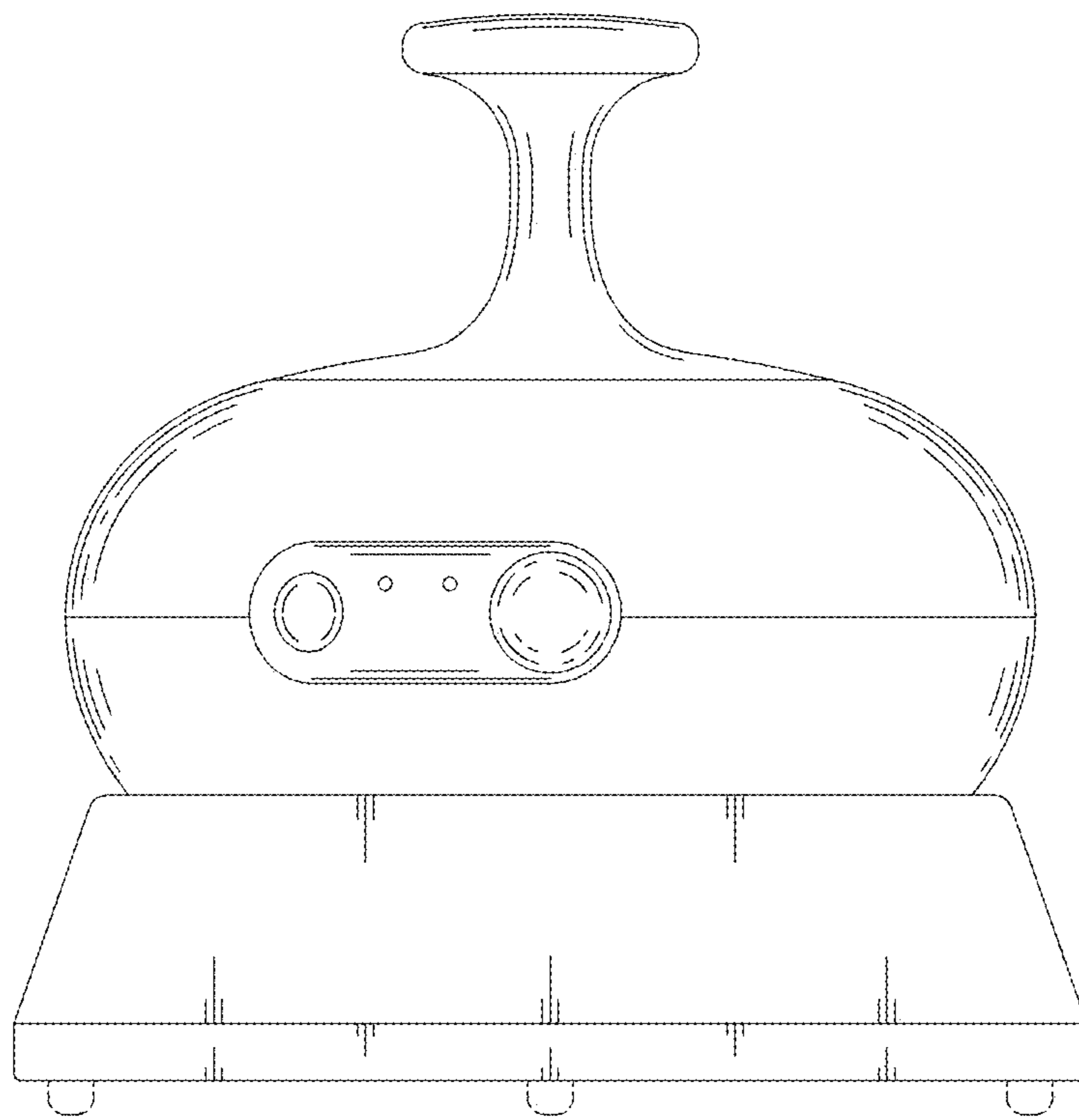


FIG. 3

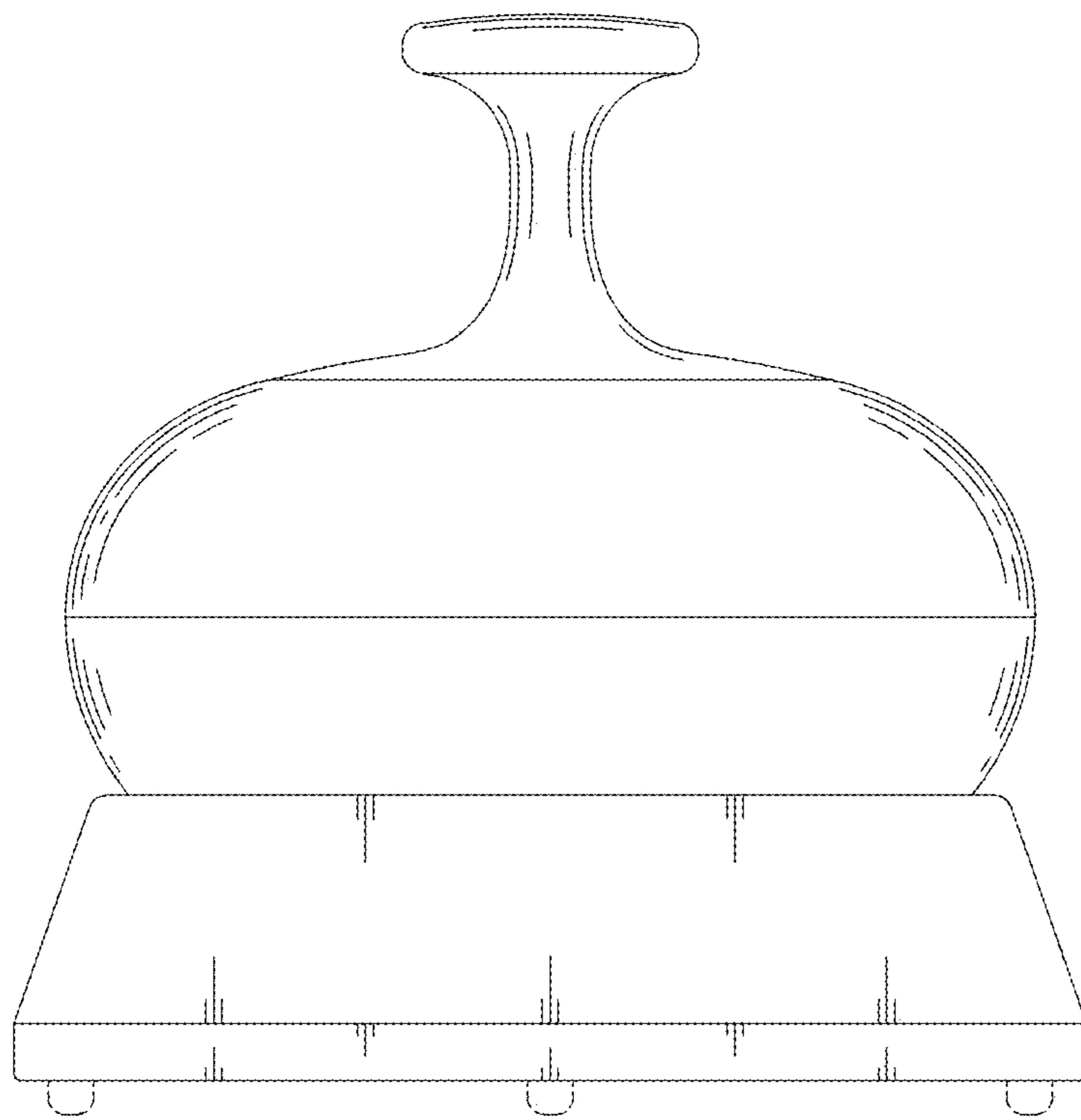


FIG. 4

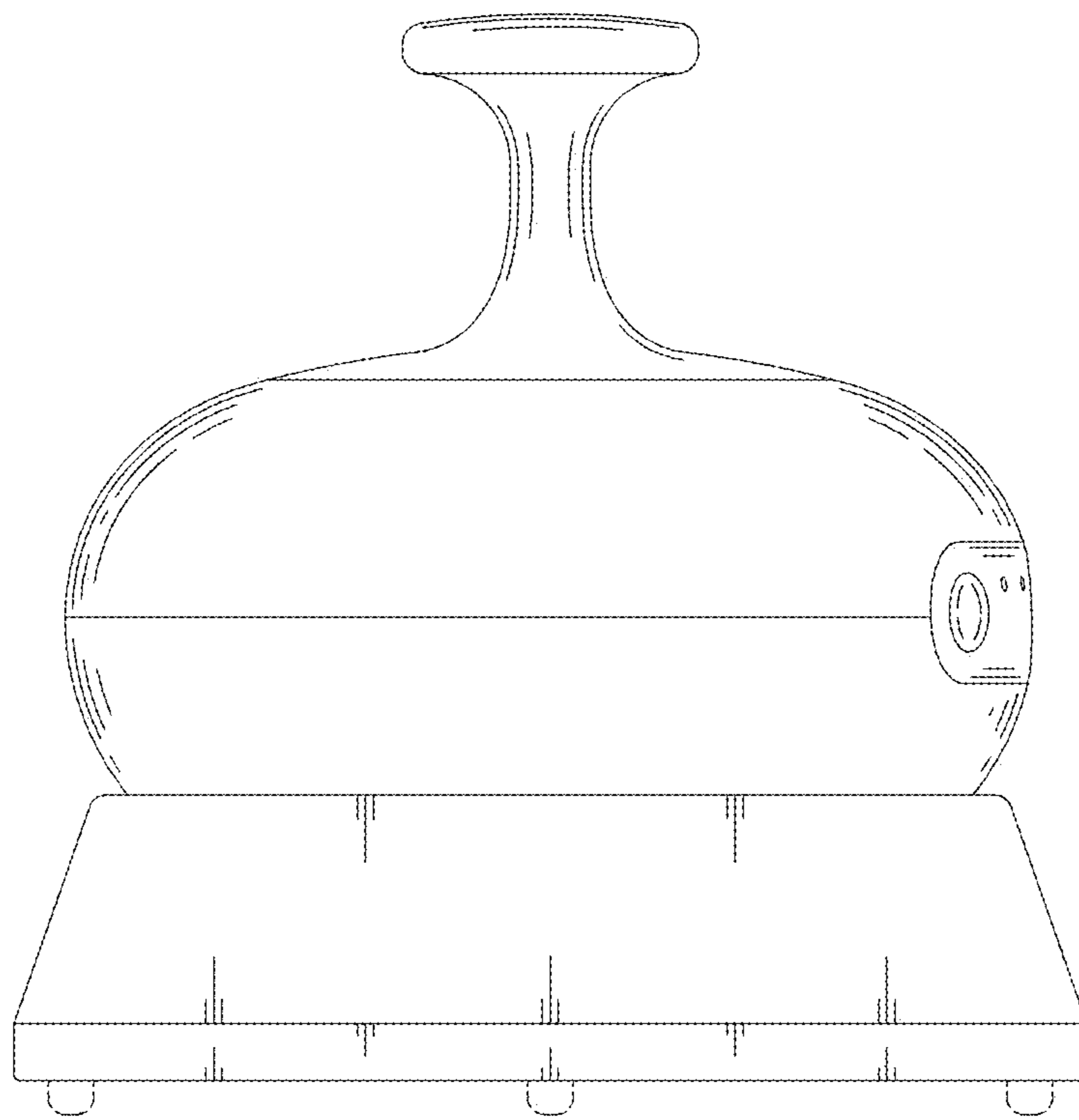


FIG. 5

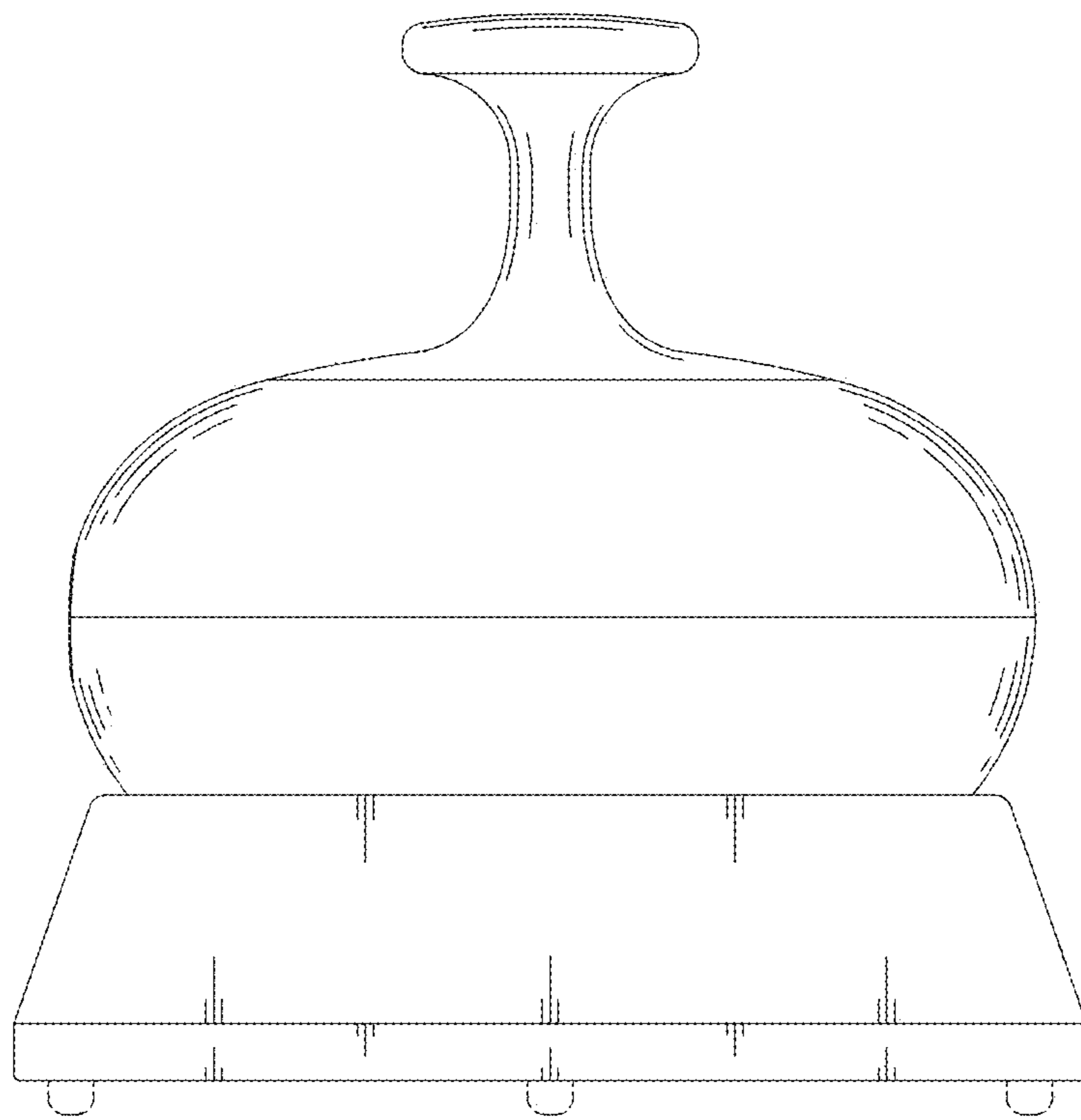


FIG. 6

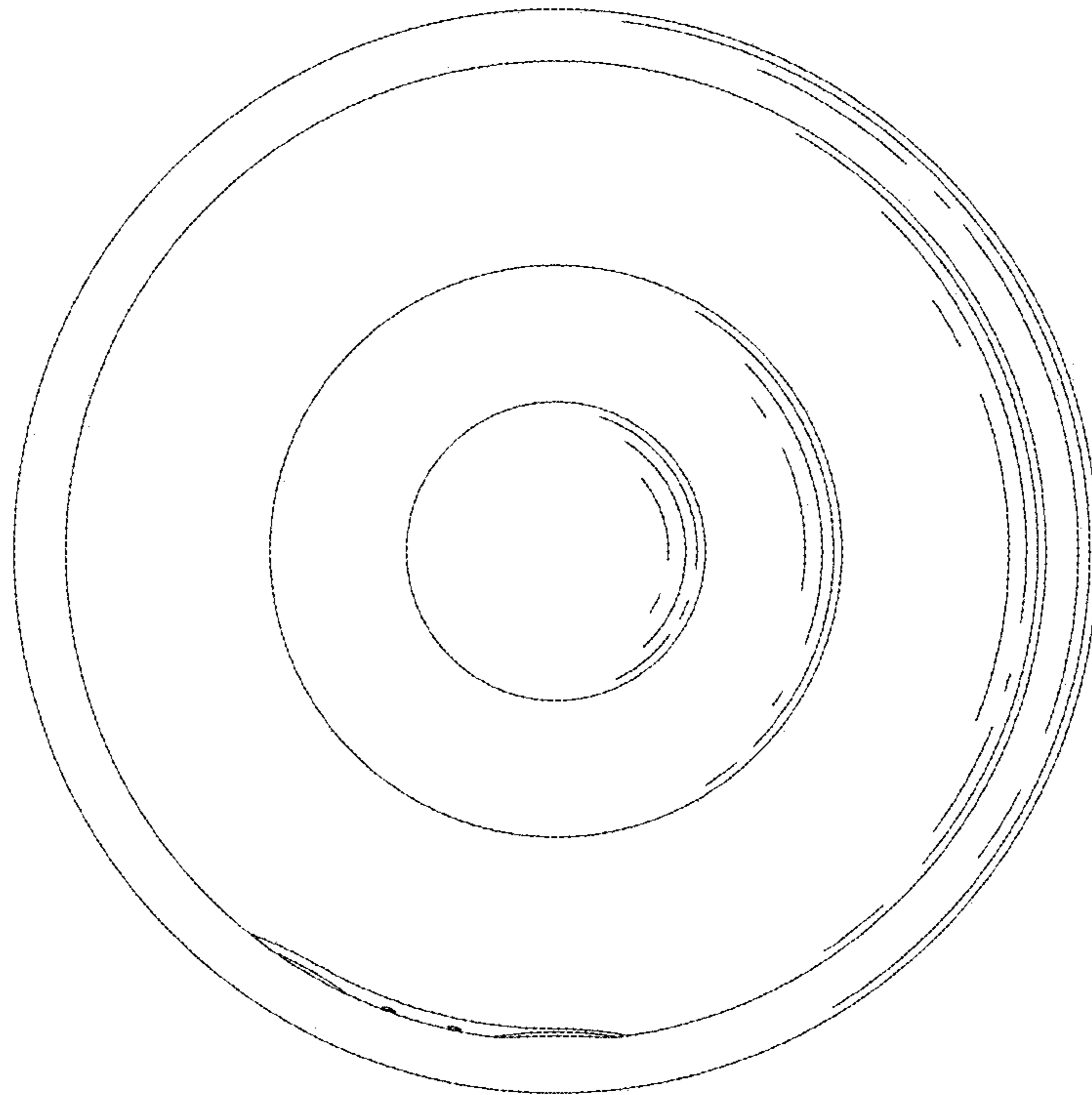


FIG. 7

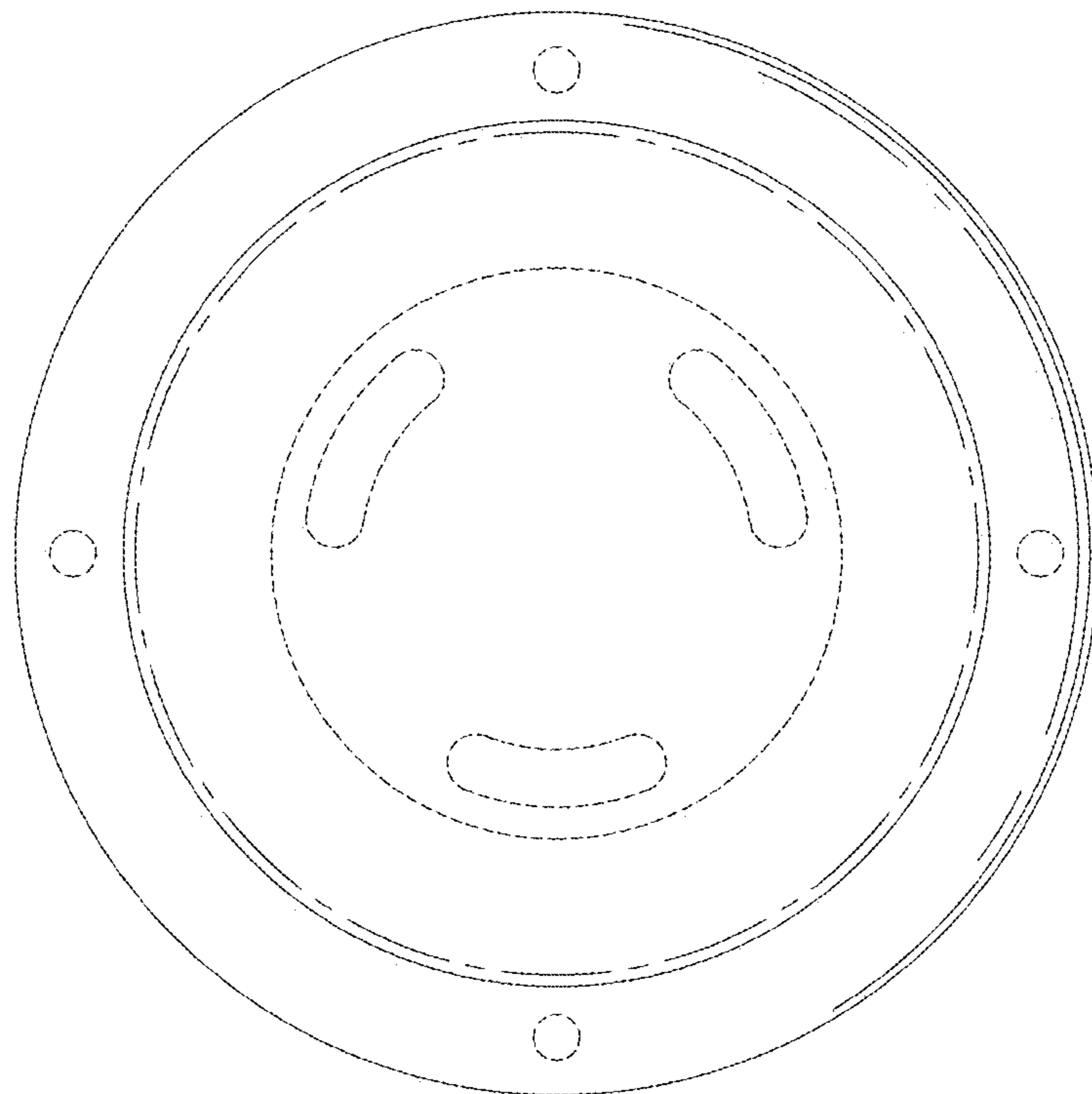


FIG. 8

