



US00D952345S

(12) **United States Design Patent**
Bloom

(10) **Patent No.:** **US D952,345 S**

(45) **Date of Patent:** **** May 24, 2022**

- (54) **LUGGAGE CORNER GUARD**
- (71) Applicant: **Contrail, LLC**, Bellevue, WA (US)
- (72) Inventor: **Ronald Lawrence Bloom**, Bellevue, WA (US)
- (73) Assignee: **Contrail, LLC**, Bellevue, WA (US)
- (**) Term: **15 Years**
- (21) Appl. No.: **29/723,364**
- (22) Filed: **Feb. 6, 2020**
- (51) **LOC (13) Cl.** **03-01**
- (52) **U.S. Cl.**
USPC **D3/318**
- (58) **Field of Classification Search**
USPC D3/272-273, 279, 294, 318, 321, 902, D3/905
CPC A45C 5/14; A45C 13/262; A45C 5/03; A45C 13/002; A45C 13/36
See application file for complete search history.

5,115,895 A 5/1992 Myers
 5,365,635 A 11/1994 Jang
 5,428,866 A 7/1995 Aschow
 (Continued)

OTHER PUBLICATIONS

“Contrail FL440 EFB Flight Bag”, first reviewed Oct. 25, 2016, aviationbay.com, site visited Jun. 9, 2021: <https://www.aviationbay.com/Contrail-Bags/Contrail-FL440> (Year: 2016).*
 (Continued)

Primary Examiner — Jennifer L Watkins
Assistant Examiner — Samantha Lynne Brodowski
 (74) *Attorney, Agent, or Firm* — Amin, Turocy & Watson, LLP

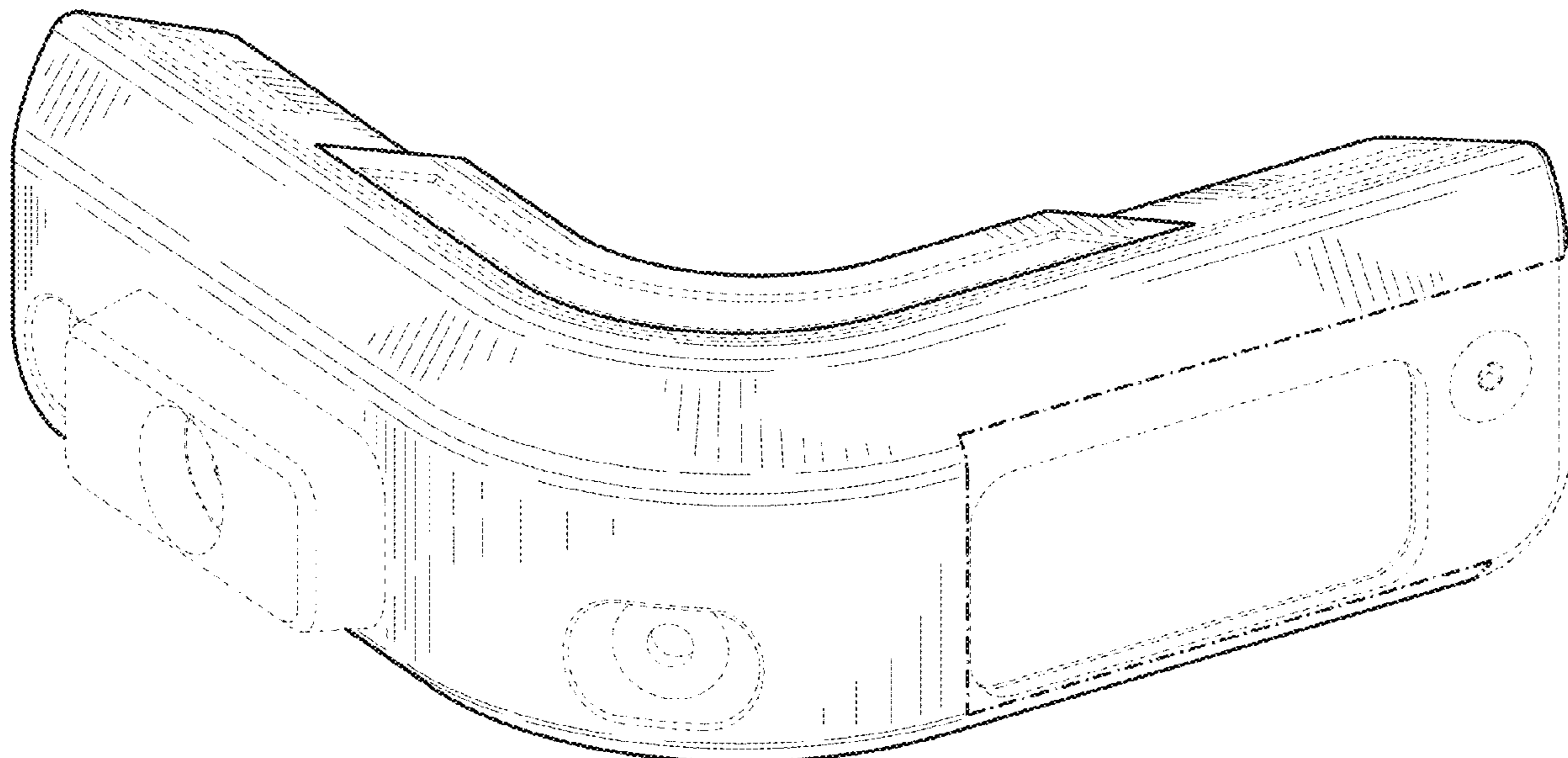
(57) **CLAIM**
 The ornamental design for a luggage corner guard, as shown and described.

DESCRIPTION

FIG. 1 is a front perspective view of a luggage corner guard showing my new design;
 FIG. 2 is a back perspective view thereof;
 FIG. 3 is a top plan view thereof;
 FIG. 4 is a bottom plan view thereof;
 FIG. 5 is a front right side elevation view thereof;
 FIG. 6 is a front left side elevation view thereof;
 FIG. 7 is a back left side elevation view thereof; and,
 FIG. 8 is a back right side elevation view thereof.
 The back side of the luggage corner guard shown in evenly dashed broken lines and without surface shading depicts a portion of the article for illustrative purposes only and forms no part of the claimed design. The dash-dot-dash broken lines depict the claim boundary and form no part of the claimed design. All other evenly dashed broken lines depict portions of the article for illustrative purposes only and form no part of the claimed design.

- (56) **References Cited**
 U.S. PATENT DOCUMENTS
- | | | | |
|--------------|---------|------------------|--------|
| 171,948 A | 1/1876 | Mowry | |
| 1,546,169 A | 7/1925 | Dooley | |
| D114,962 S * | 5/1939 | Ortner | D3/321 |
| D151,059 S * | 9/1948 | Main | D3/321 |
| 2,800,679 A | 7/1957 | Schultz | |
| 3,229,991 A | 1/1966 | Tessler | |
| 3,889,966 A | 6/1975 | Zeitlin | |
| 3,935,613 A | 2/1976 | Kaneko | |
| 3,987,875 A | 10/1976 | Szabo | |
| 4,311,222 A | 1/1982 | Castanier | |
| 4,335,896 A | 6/1982 | Koffler et al. | |
| 4,355,896 A | 10/1982 | Laue | |
| 4,418,804 A | 12/1983 | Bradley | |
| 4,673,070 A | 6/1987 | Ambal | |
| 5,048,649 A | 9/1991 | Carpenter et al. | |

1 Claim, 5 Drawing Sheets



(56)

References Cited

U.S. PATENT DOCUMENTS

D375,202 S * 11/1996 Vermillion D3/318
 5,815,885 A 10/1998 Chen
 D416,684 S * 11/1999 Nykoluk D3/321
 D421,338 S * 3/2000 Moon D3/279
 6,079,527 A 6/2000 Kuo
 D430,792 S * 9/2000 Wang D3/318
 6,167,994 B1 1/2001 Kuo
 6,193,324 B1 2/2001 Chang
 D460,263 S * 7/2002 Bradford D3/318
 6,460,668 B1 * 10/2002 Godshaw A45C 5/02
 190/115
 D466,797 S * 12/2002 Wu D8/374
 6,536,787 B1 3/2003 Shick
 D491,365 S * 6/2004 Proof D3/318
 D498,055 S * 11/2004 Fenton D3/321
 D511,043 S * 11/2005 Herold D3/321
 D575,957 S * 9/2008 Scicluna D3/318
 D728,239 S * 5/2015 Sanz D3/318
 9,265,320 B2 2/2016 Bridgeforth
 9,918,532 B2 * 3/2018 Bloom A45C 13/26
 D824,169 S * 7/2018 Guo D3/279
 D860,058 S * 9/2019 Norfleet D12/106

D874,141 S * 2/2020 Rubio D3/279
 D876,837 S * 3/2020 Drumm D3/318
 D878,929 S * 3/2020 Rubio D9/720
 D883,859 S * 5/2020 Norfleet D12/106
 10,807,412 B1 * 10/2020 Ahearn B60B 33/0063
 2003/0006110 A1 1/2003 Lin
 2016/0100658 A1 4/2016 Bloom
 2018/0019968 A1 7/2018 Bloom et al.

OTHER PUBLICATIONS

U.S. Pat. No. 47,114, to Lieb et al., Apr. 1865.
 Non-Final Office Action received for U.S. Appl. No. 14/879,353 dated Sep. 7, 2017, 8 pages.
 Non-Final Office Action received for U.S. Appl. No. 15/918,821 dated Jul. 11, 2019, 10 pages.
 Final Office Action received for U.S. Appl. No. 15/918,821 dated Dec. 27, 2019, 15 pages.
 Ebay various listing of feet and wheels for luggage, 2019, 7 Pages.
 Applicant Initiated Interview Summary received for U.S. Appl. No. 15/918,821, dated Feb. 19, 2020, 4 pages.
 Non-Final Office Action received for U.S. Appl. No. 15/918,821 dated Apr. 21, 2020, 10 pages.

* cited by examiner

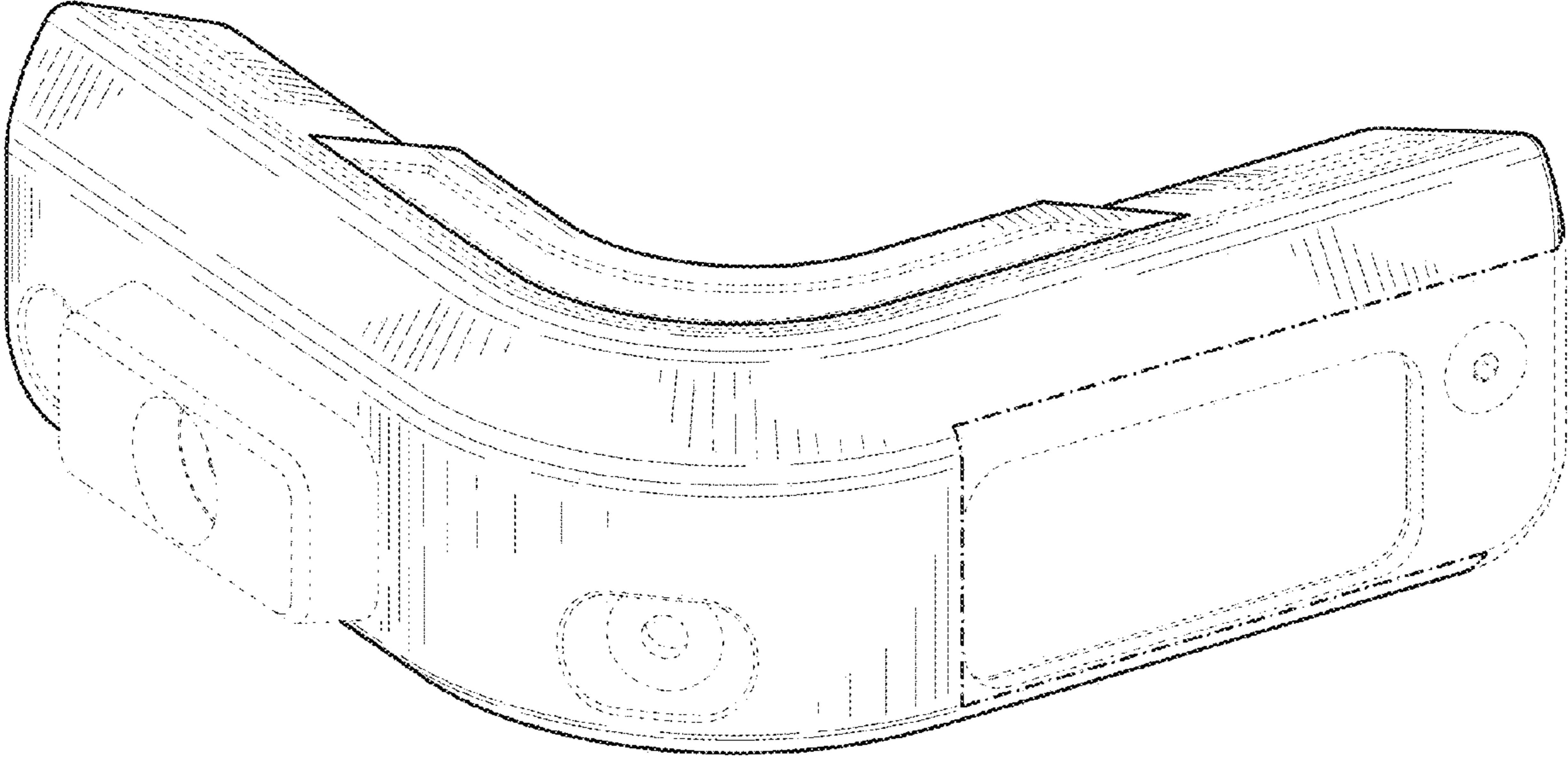


Fig. 1

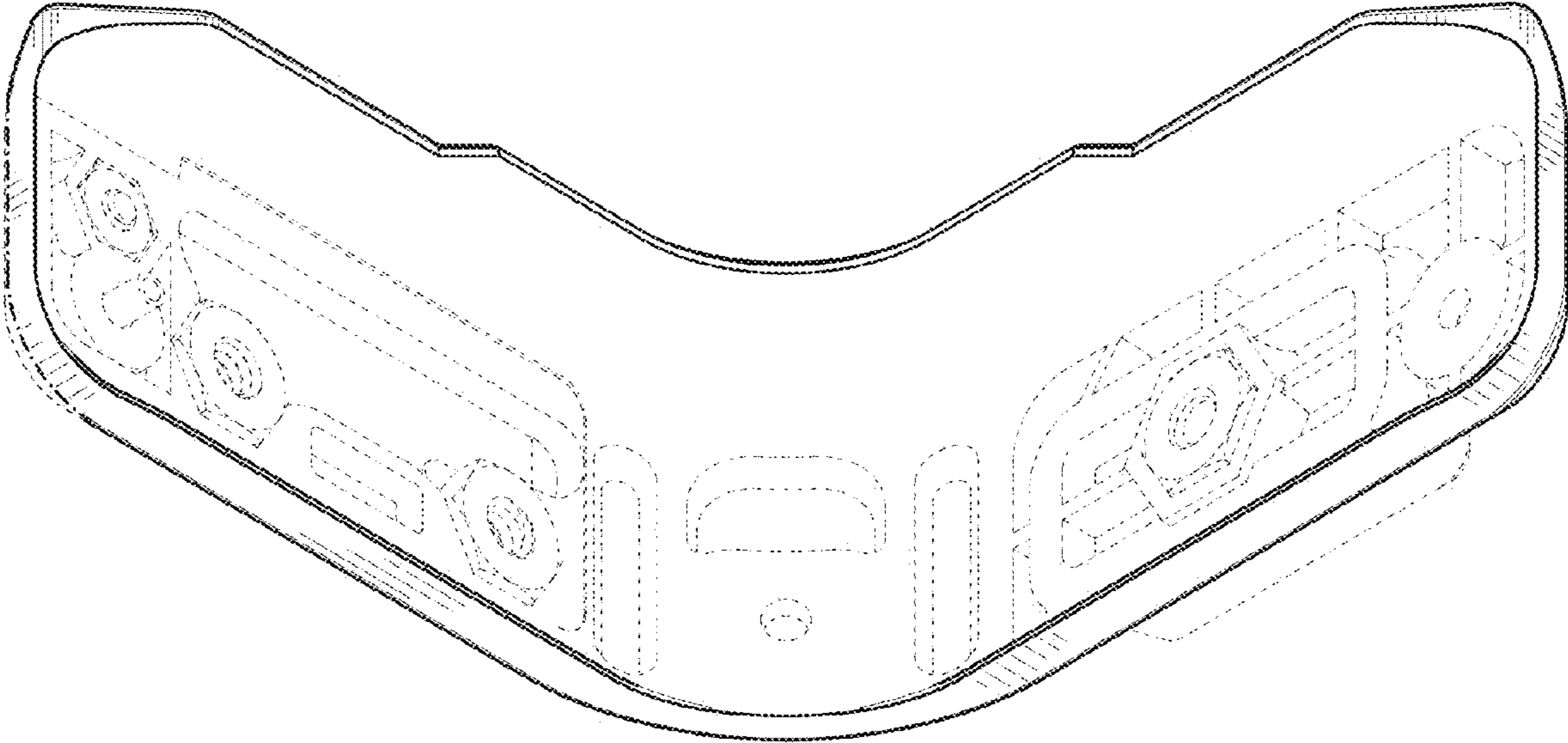


Fig. 2

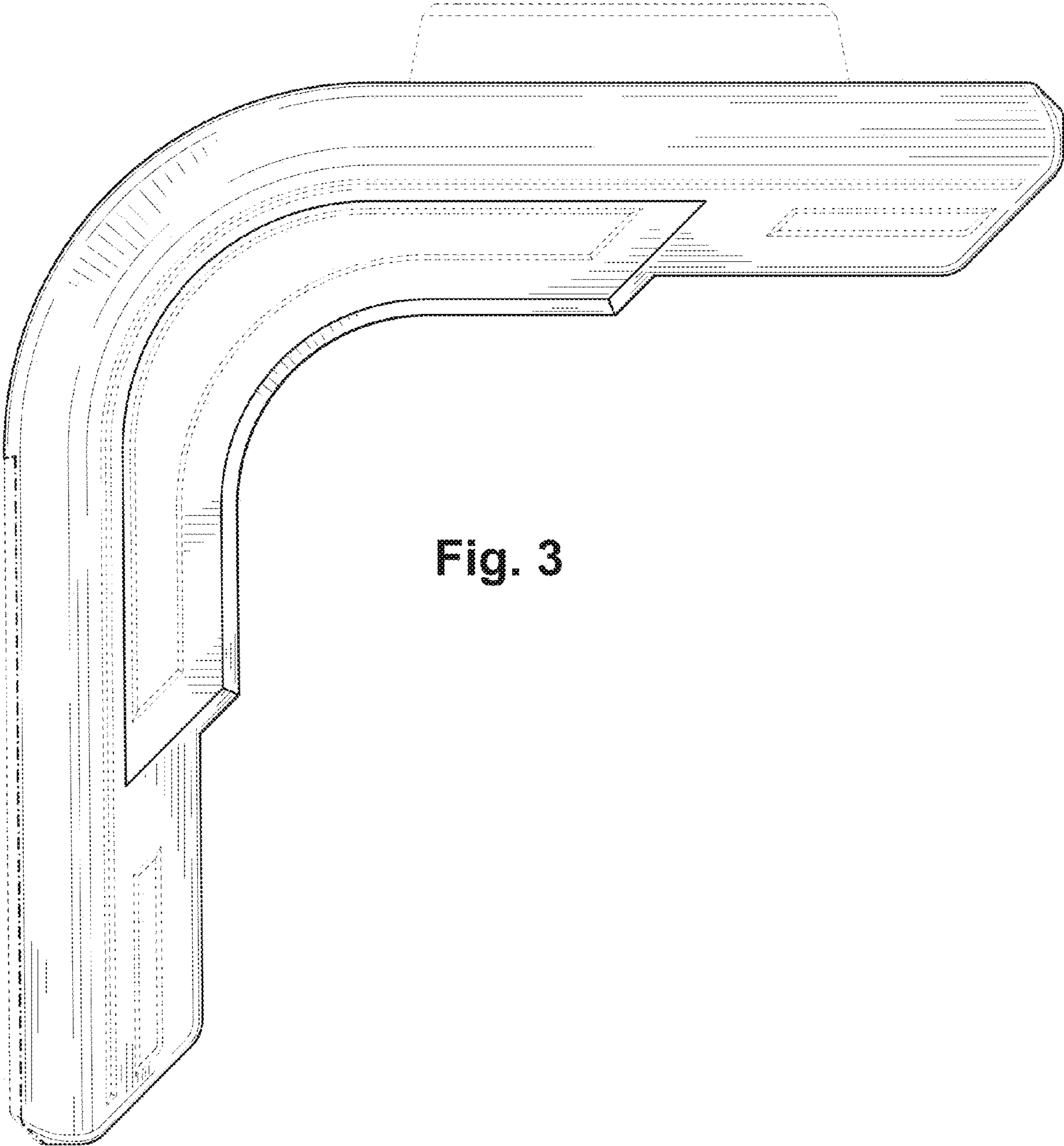


Fig. 3

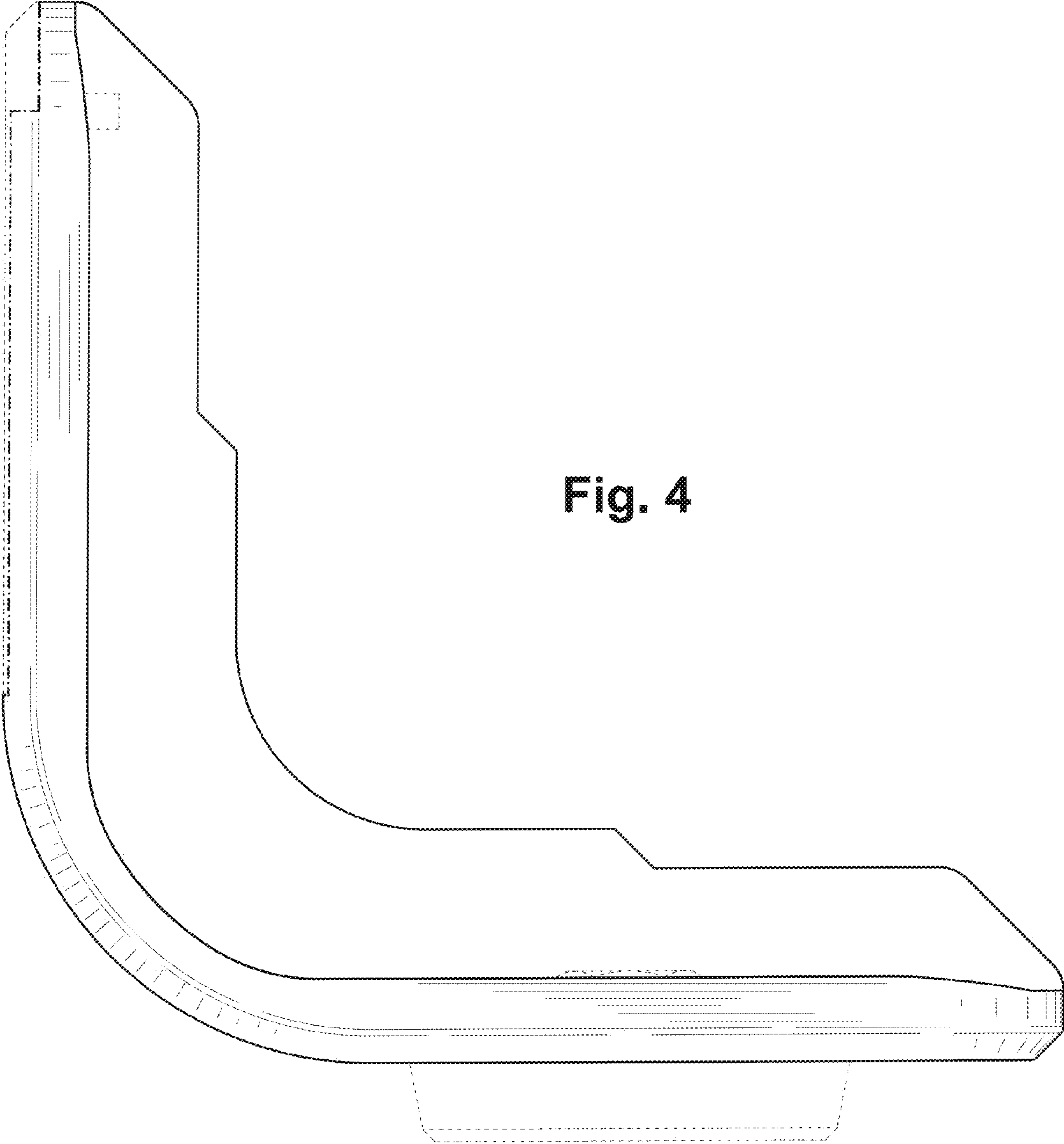


Fig. 4

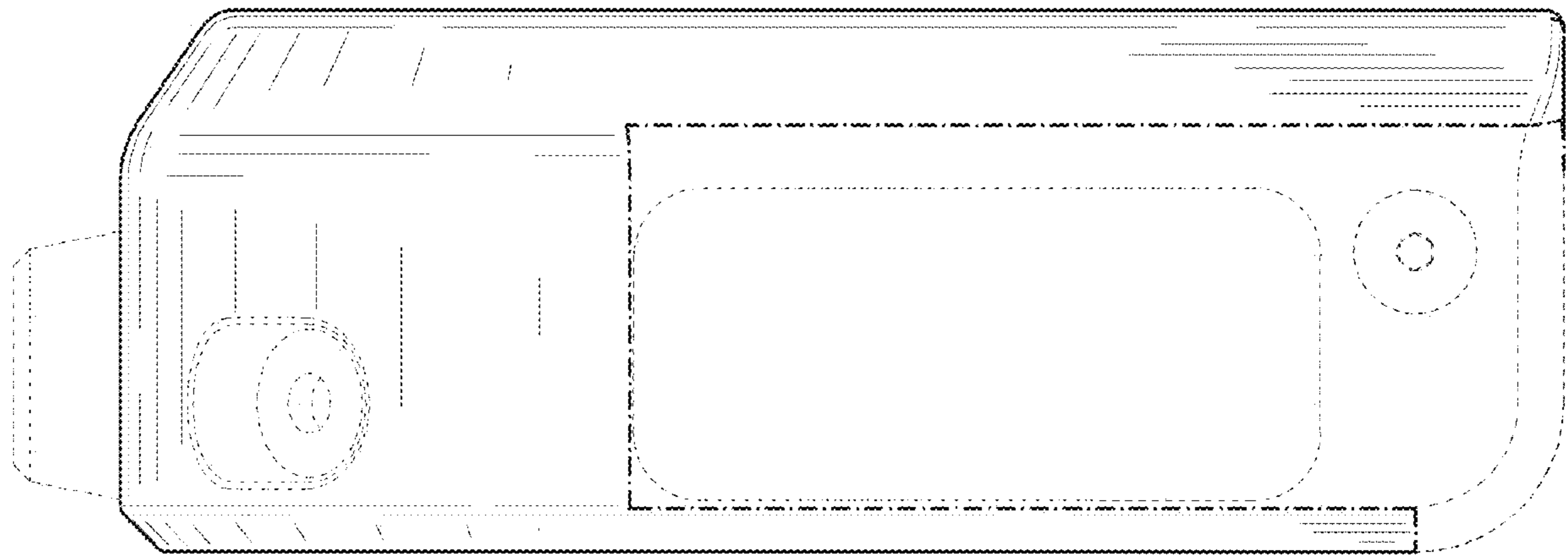


Fig. 5

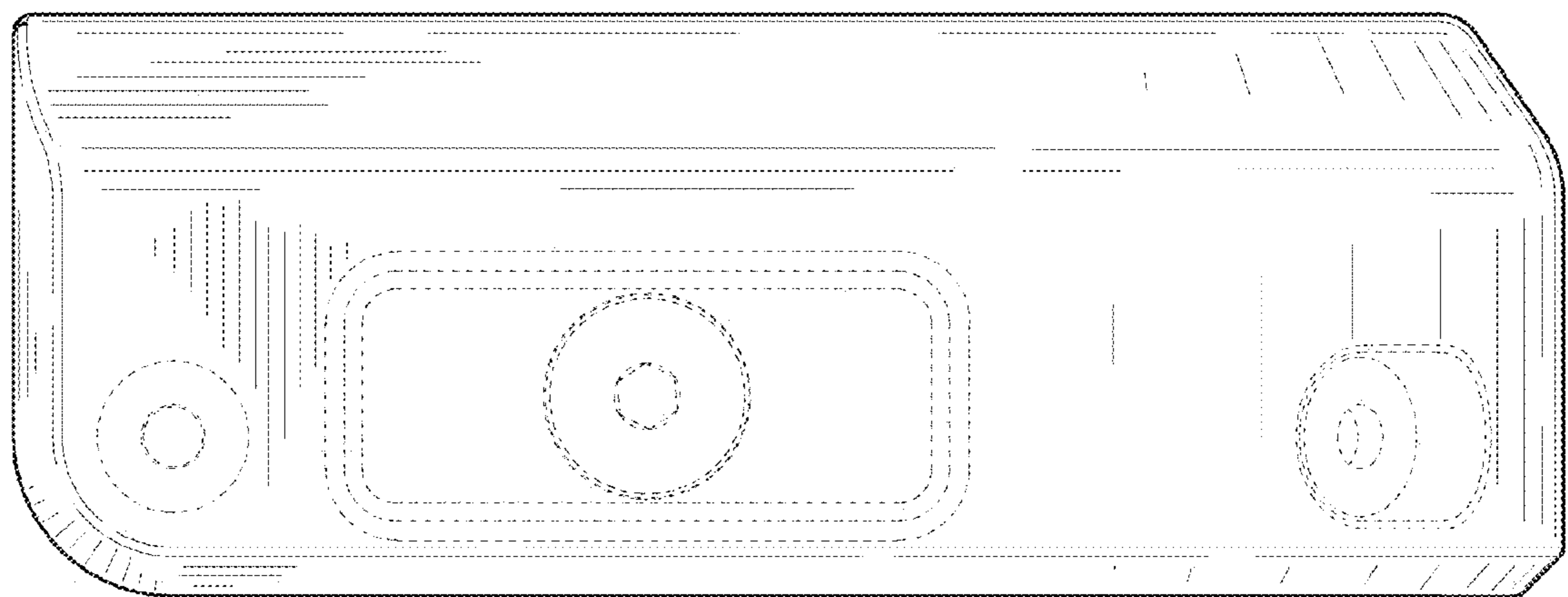


Fig. 6

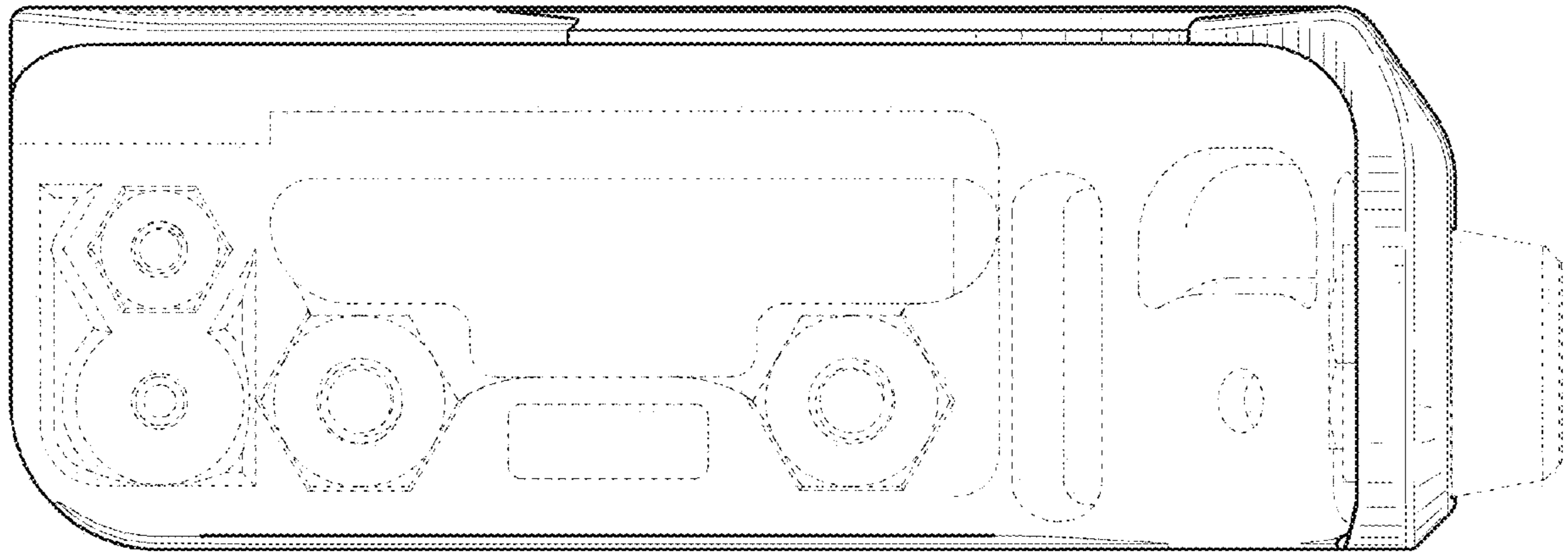


Fig. 7

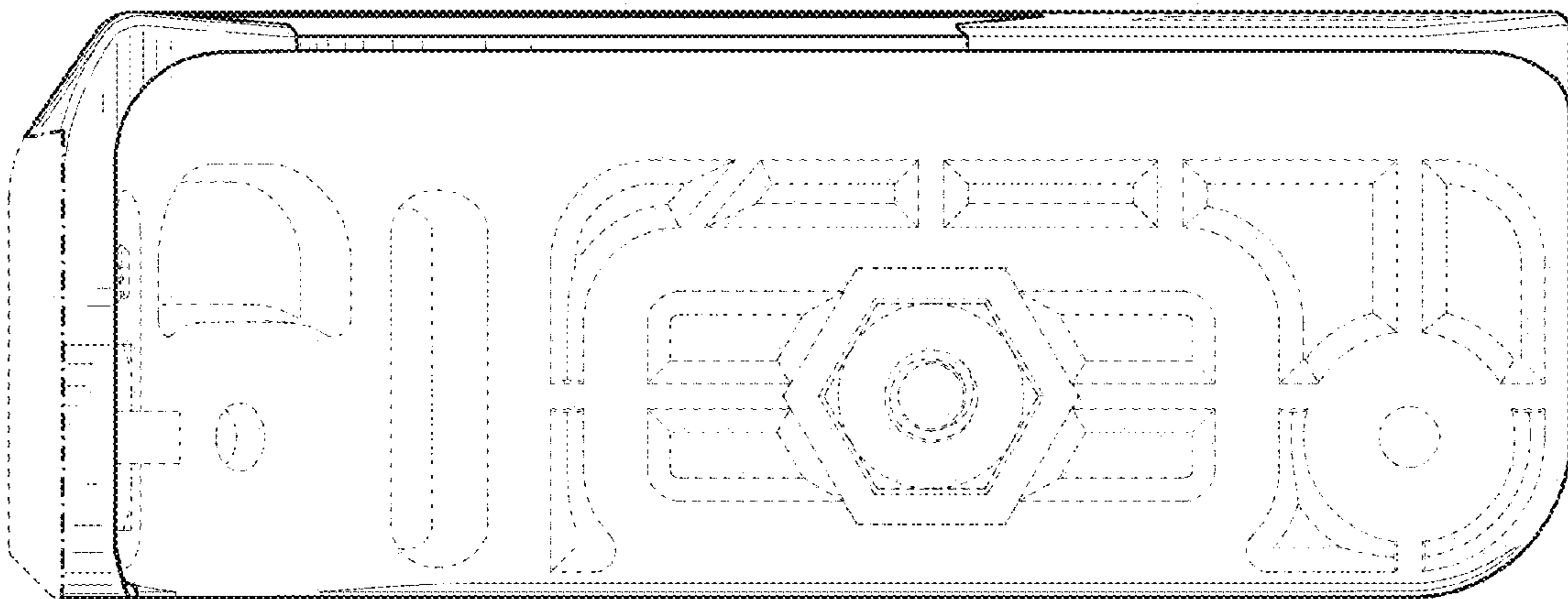


Fig. 8