



US00D952344S

(12) **United States Design Patent** (10) **Patent No.:** **US D952,344 S**
He (45) **Date of Patent:** **** May 24, 2022**

(54) **STORAGE BOX**

(71) Applicant: **Yandong He**, Foshan (CN)

(72) Inventor: **Yandong He**, Foshan (CN)

(**) Term: **15 Years**

(21) Appl. No.: **29/781,483**

(22) Filed: **Apr. 30, 2021**

(30) **Foreign Application Priority Data**

Mar. 25, 2021 (CN) 202130163686.7

(51) **LOC (13) Cl.** **03-01**

(52) **U.S. Cl.**
USPC **D3/302**

(58) **Field of Classification Search**

USPC D3/207, 208, 209, 210, 211, 212, 263,
D3/271.6, 273, 294, 295, 299, 302, 303,
D3/901, 903, 905

CPC A61L 2/10; A61C 17/224; A01K 97/06;
A45C 13/02; A45C 11/24; A45C 11/38;
A45C 2011/001; A61J 1/03

See application file for complete search history.

(56) **References Cited**

U.S. PATENT DOCUMENTS

- D216,635 S * 2/1970 Grange D9/748
- D259,596 S * 6/1981 Gray A61C 17/224
D3/205
- D269,249 S * 6/1983 Cillario D9/426
- D290,095 S * 6/1987 Montalbano D10/78
- D350,206 S * 8/1994 Mochida D24/200
- D413,986 S * 9/1999 Lin D24/176
- D458,837 S * 6/2002 Cragie D3/203.2
- D474,034 S * 5/2003 Mc Currach D4/199
- D584,417 S * 1/2009 Massee A61L 2/04
D24/217
- D622,406 S * 8/2010 Russell, II D24/217
- D778,453 S * 2/2017 Knaus D24/200

(Continued)

OTHER PUBLICATIONS

LocknLock UV Toothbrush Sanitizer, announced Nov. 4, 2019 [online], [site visited Mar. 25, 2022]. Available from internet, URL: <<https://www.amazon.com/Toothbrush-Antibacterial-Sterilizer-Compatible-Rechargeable/dp/B08111NYD1/>> (Year: 2019).*

(Continued)

Primary Examiner — Kevin K Rudzinski

Assistant Examiner — Amber J Rabie

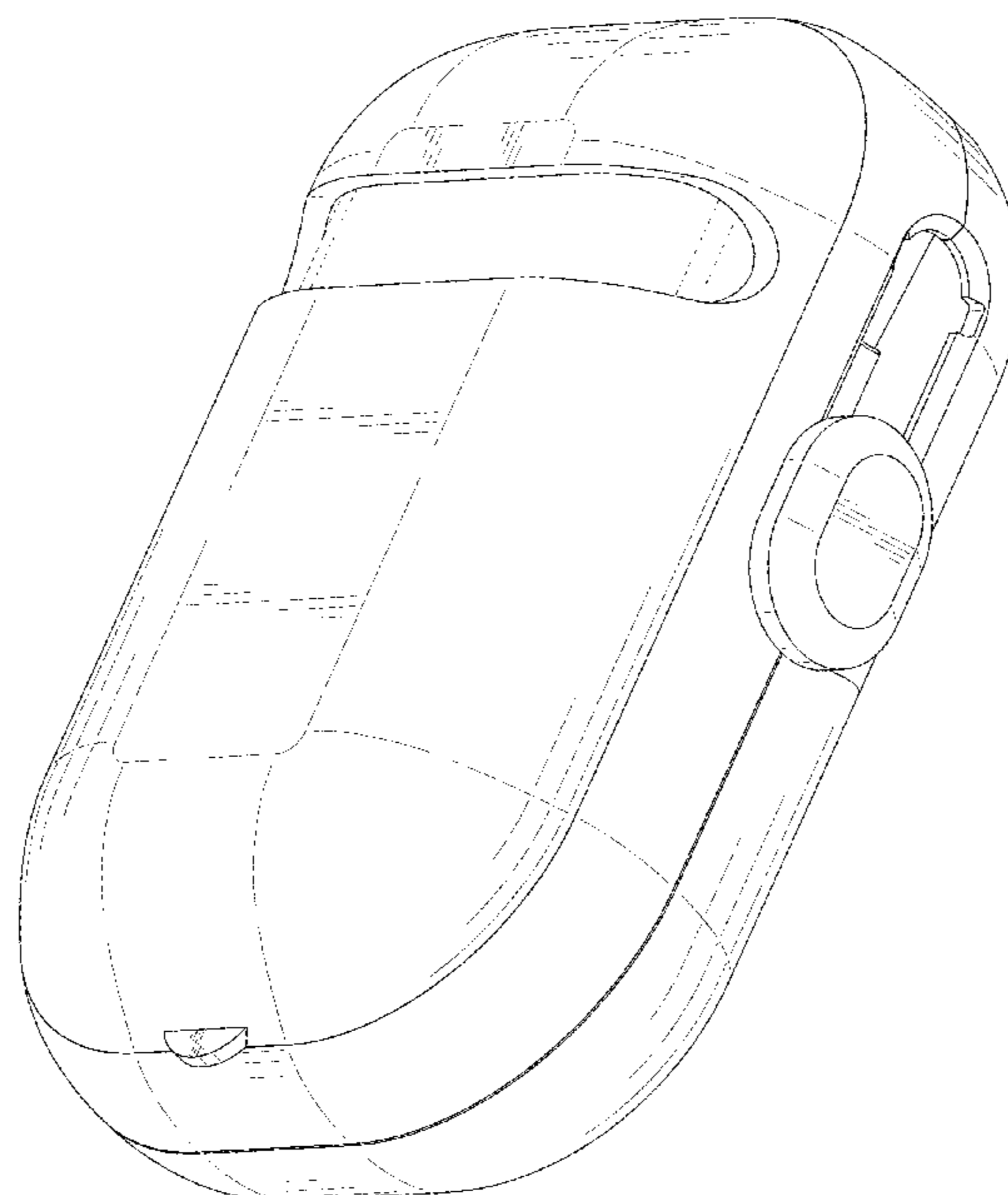
(57) **CLAIM**

The ornamental design for a storage box, as shown and described.

DESCRIPTION

FIG. 1 is a perspective view of a storage box showing my new design;
 FIG. 2 is another perspective view thereof;
 FIG. 3 is a front elevational view thereof;
 FIG. 4 is a rear elevational view thereof;
 FIG. 5 is a left side elevational view thereof;
 FIG. 6 is a right side elevational view thereof;
 FIG. 7 is a top plan view thereof;
 FIG. 8 is a bottom plan view thereof;
 FIG. 9 is a perspective view of the storage box where the storage box is in a configuration of use;
 FIG. 10 is an exploded perspective view of the storage box where the storage box is in a first open state; and,
 FIG. 11 is another exploded perspective view of the storage box where the storage box is in a second open state.
 The broken lines illustrating contents of the storage box in FIG. 11 are environment that form no part of the claimed design. The remaining broken lines in the drawings depict portions of the storage box that form no part of the claimed design.

1 Claim, 11 Drawing Sheets



(56)

References Cited

U.S. PATENT DOCUMENTS

D800,989 S 10/2017 Lucido
D810,421 S * 2/2018 Ross D3/203.1
9,961,985 B2 * 5/2018 Shigeno A61C 17/224
D825,351 S * 8/2018 Buck D9/761
D864,567 S 10/2019 Kincade et al.
2008/0219883 A1 * 9/2008 Thur A61L 2/04
422/307
2014/0150189 A1 * 6/2014 Shigeno A61C 17/224
206/362.2

OTHER PUBLICATIONS

Olybo Sonic Electric Toothbrush Travel Case, announced Sep. 11, 2020 [online], [site visited Feb. 17, 2022]. Available from internet, URL: <<https://www.amazon.ca/Olybo-Electric-Toothbrush-Toothbrushes-Replacement/dp/B08GSKPT75/?th=1>> (Year: 2020).*

* cited by examiner

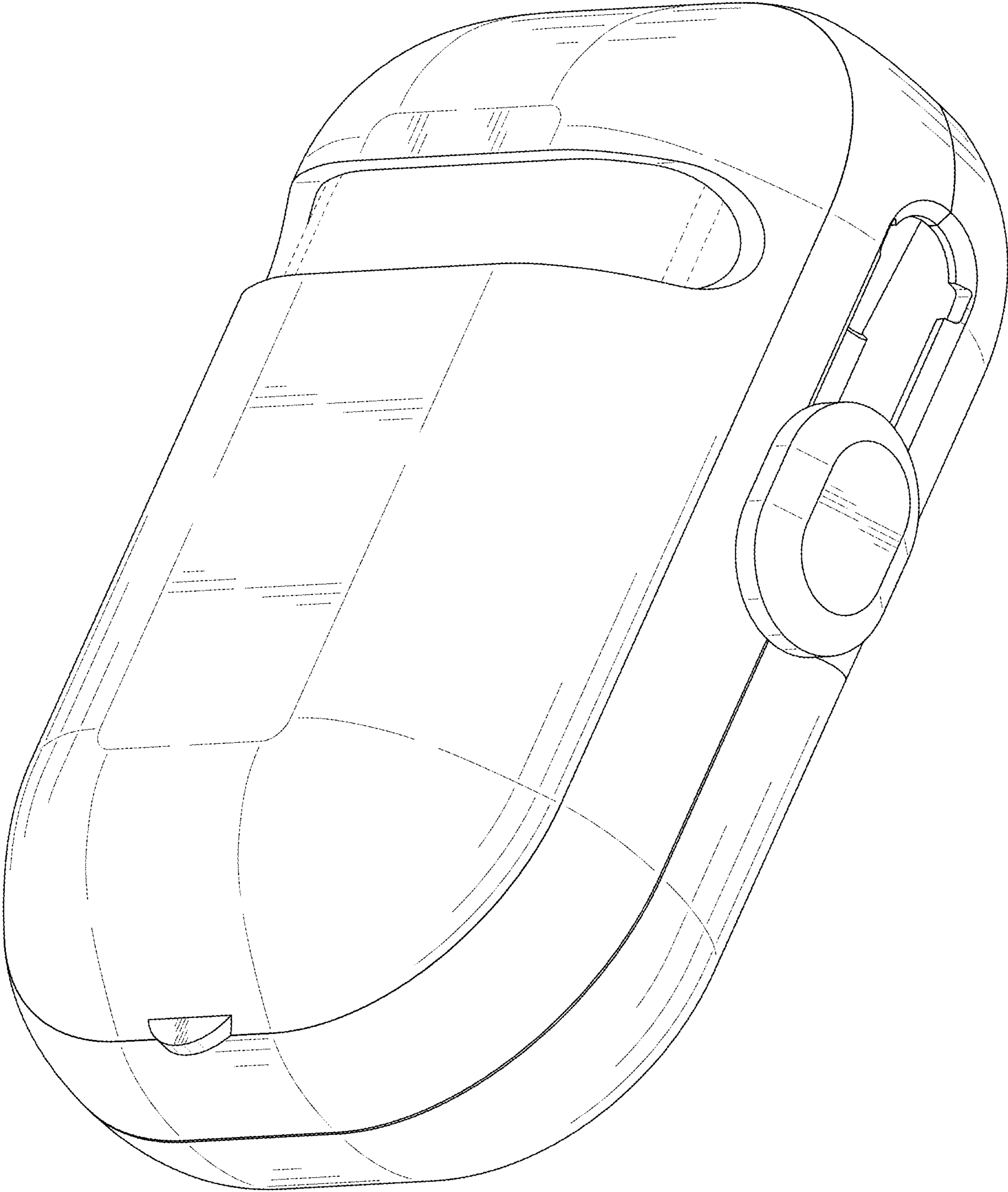


FIG. 1



FIG. 2

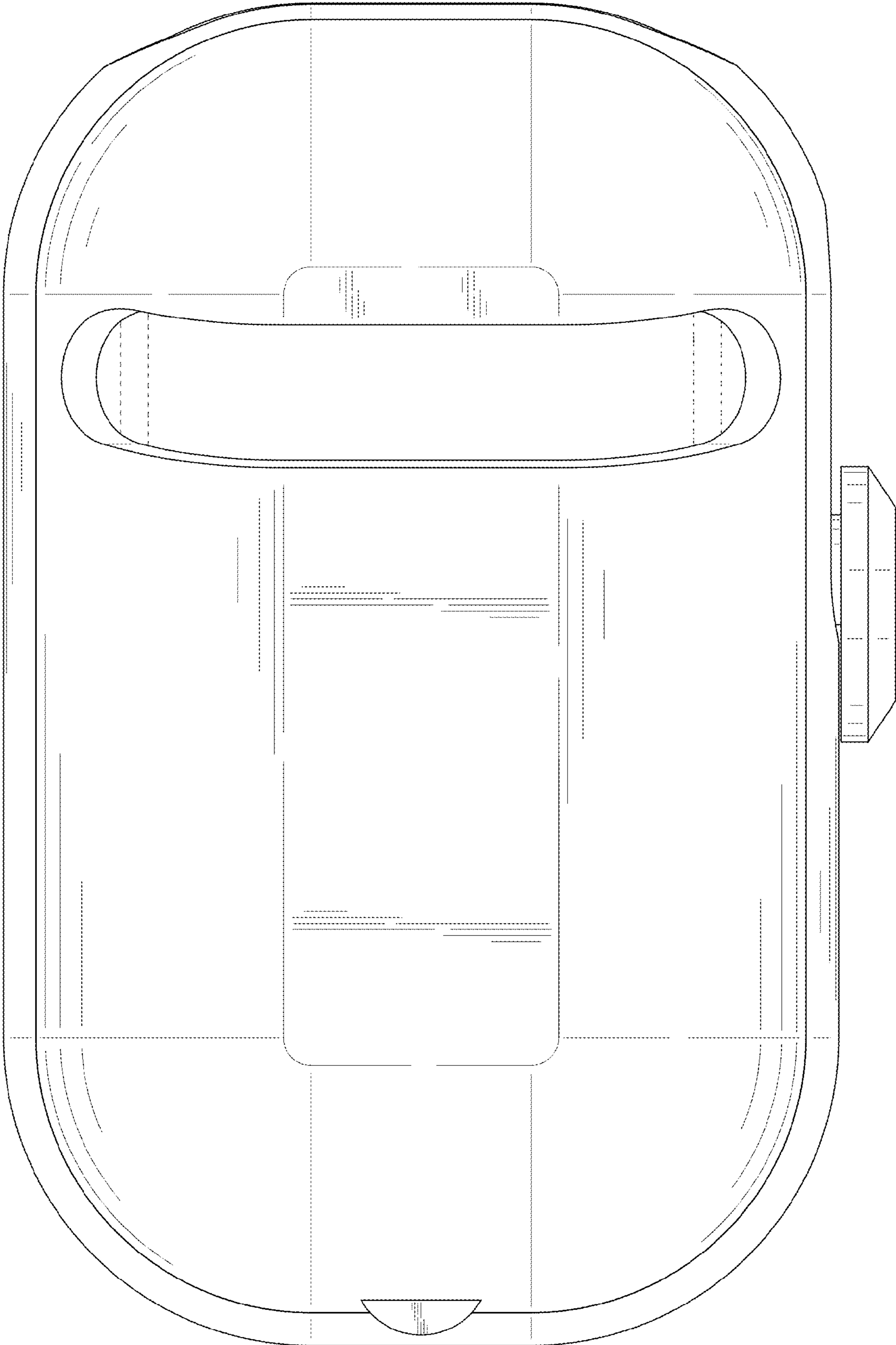


FIG. 3

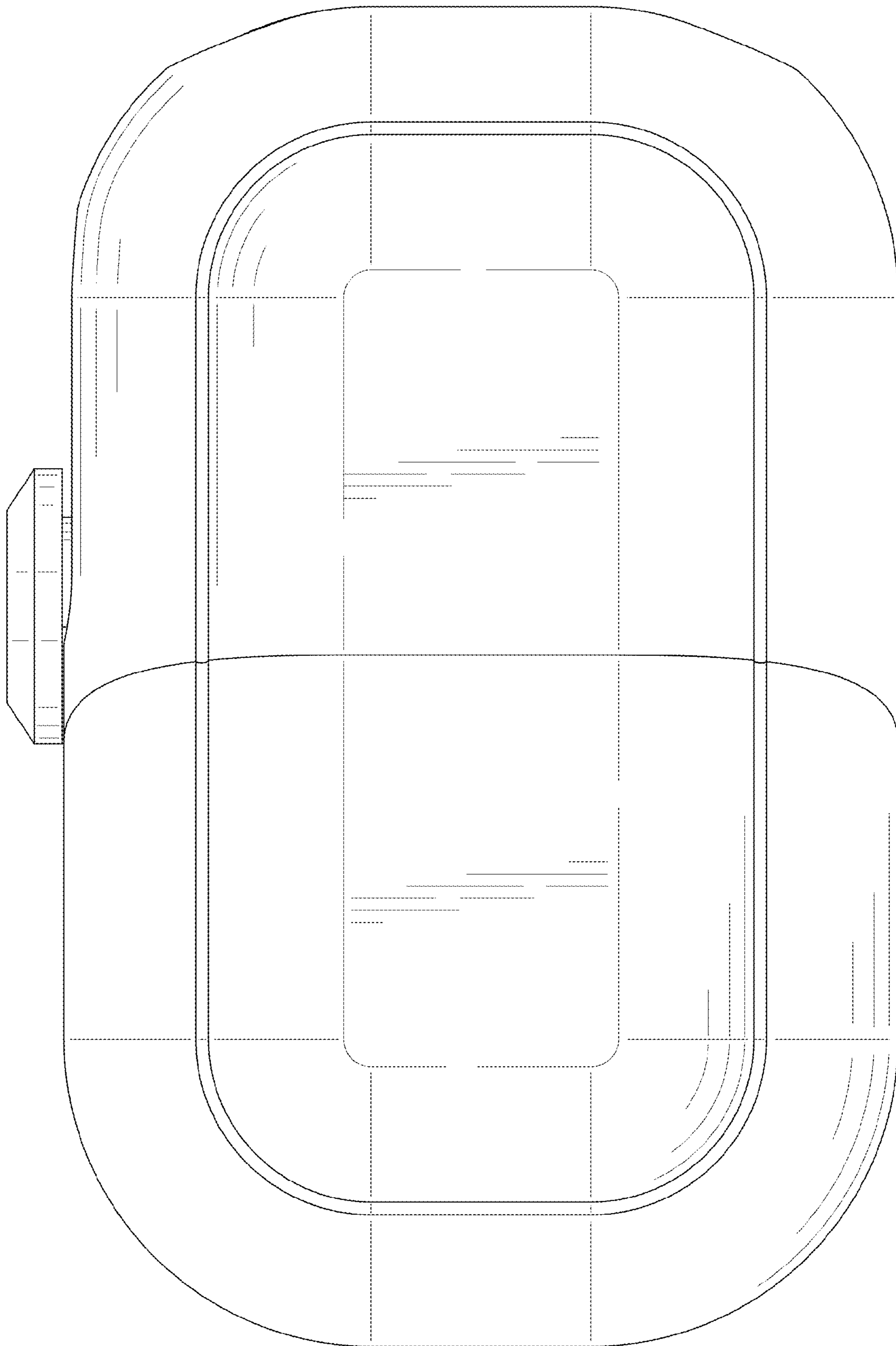


FIG. 4

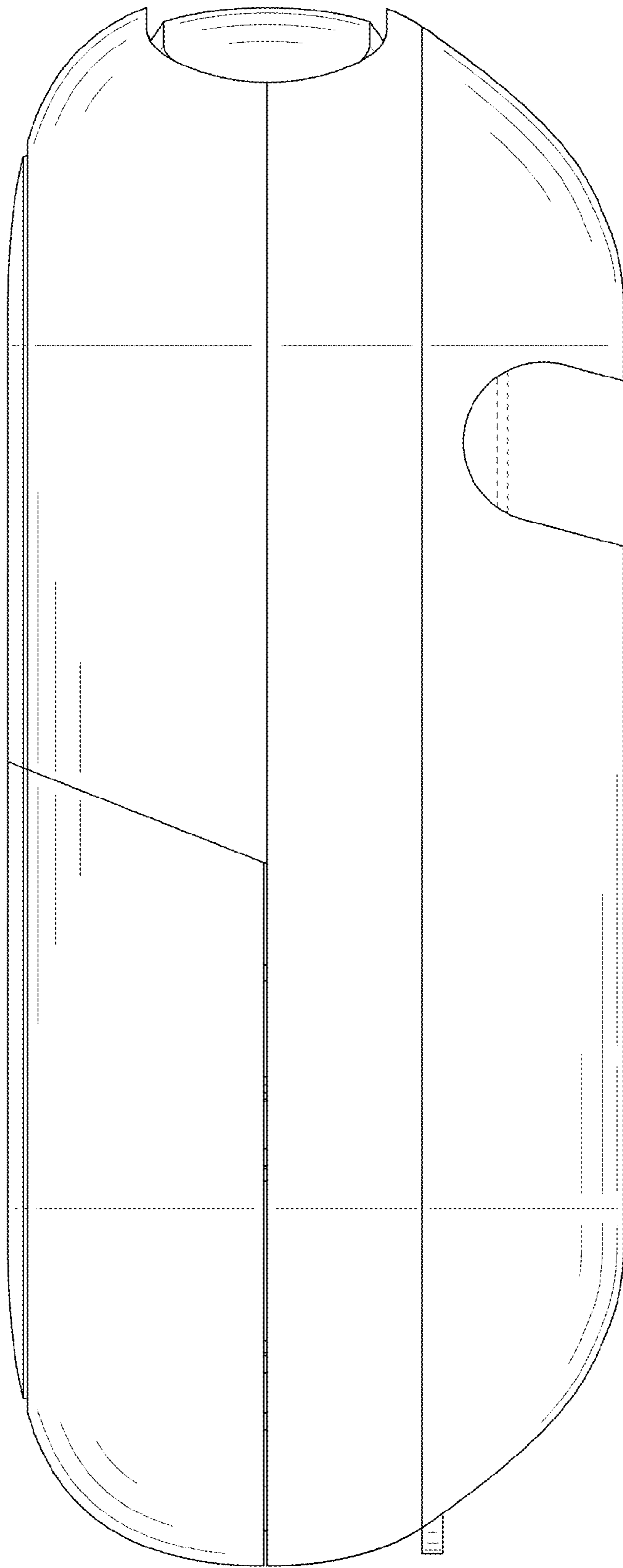


FIG. 5

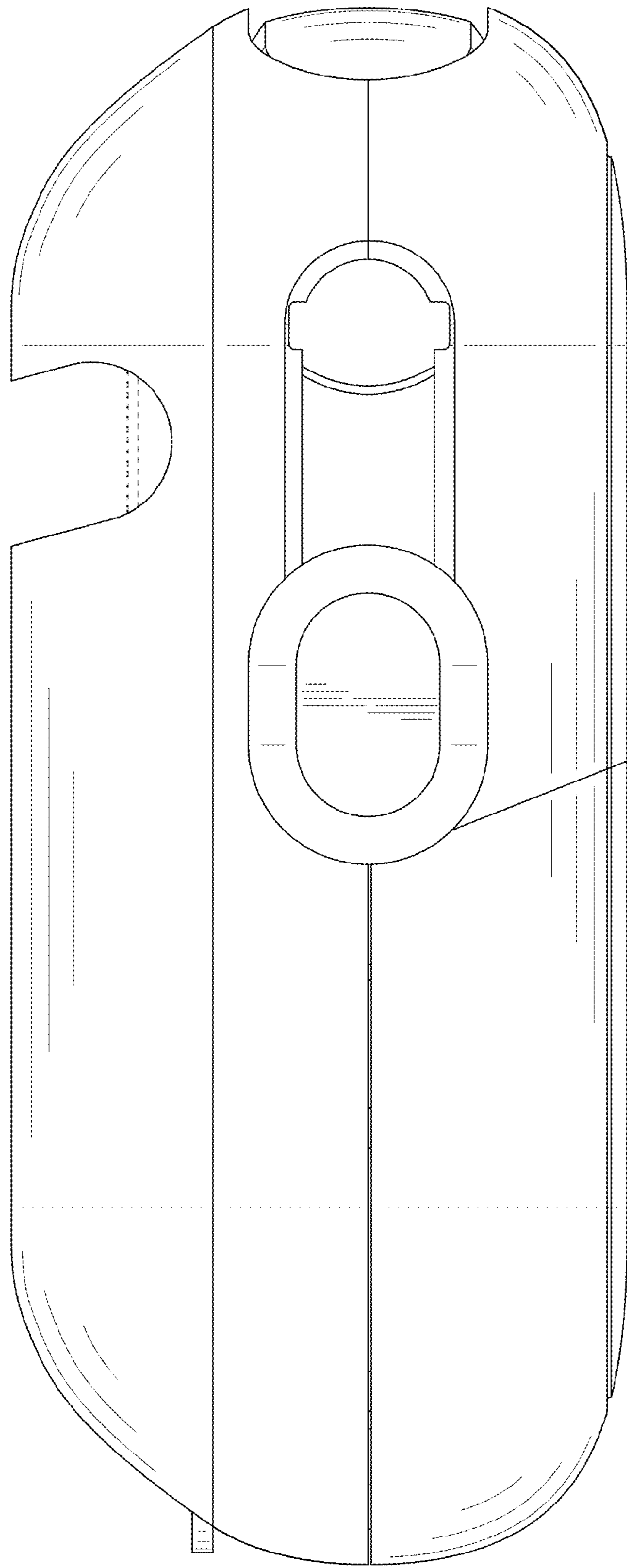


FIG. 6

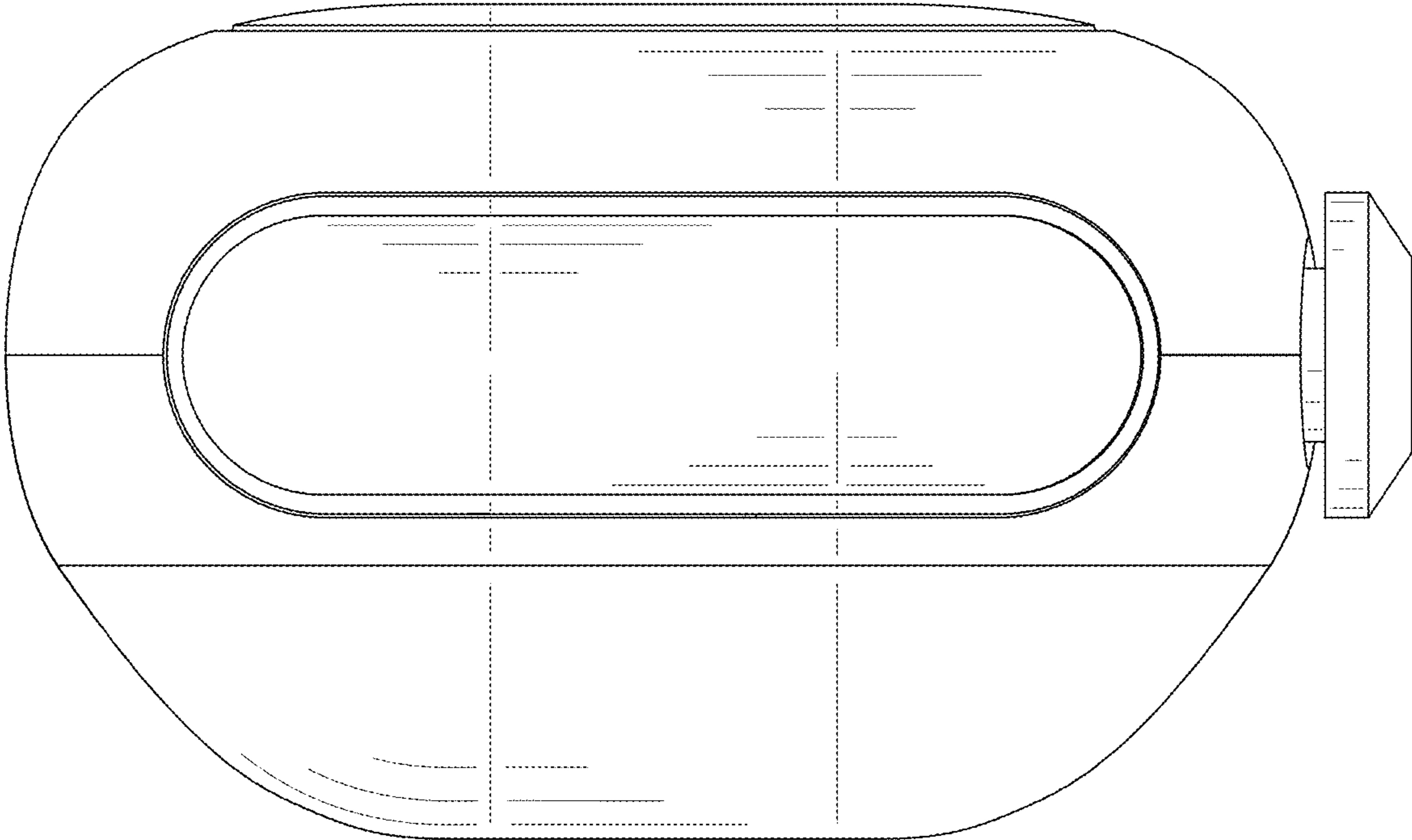


FIG. 7

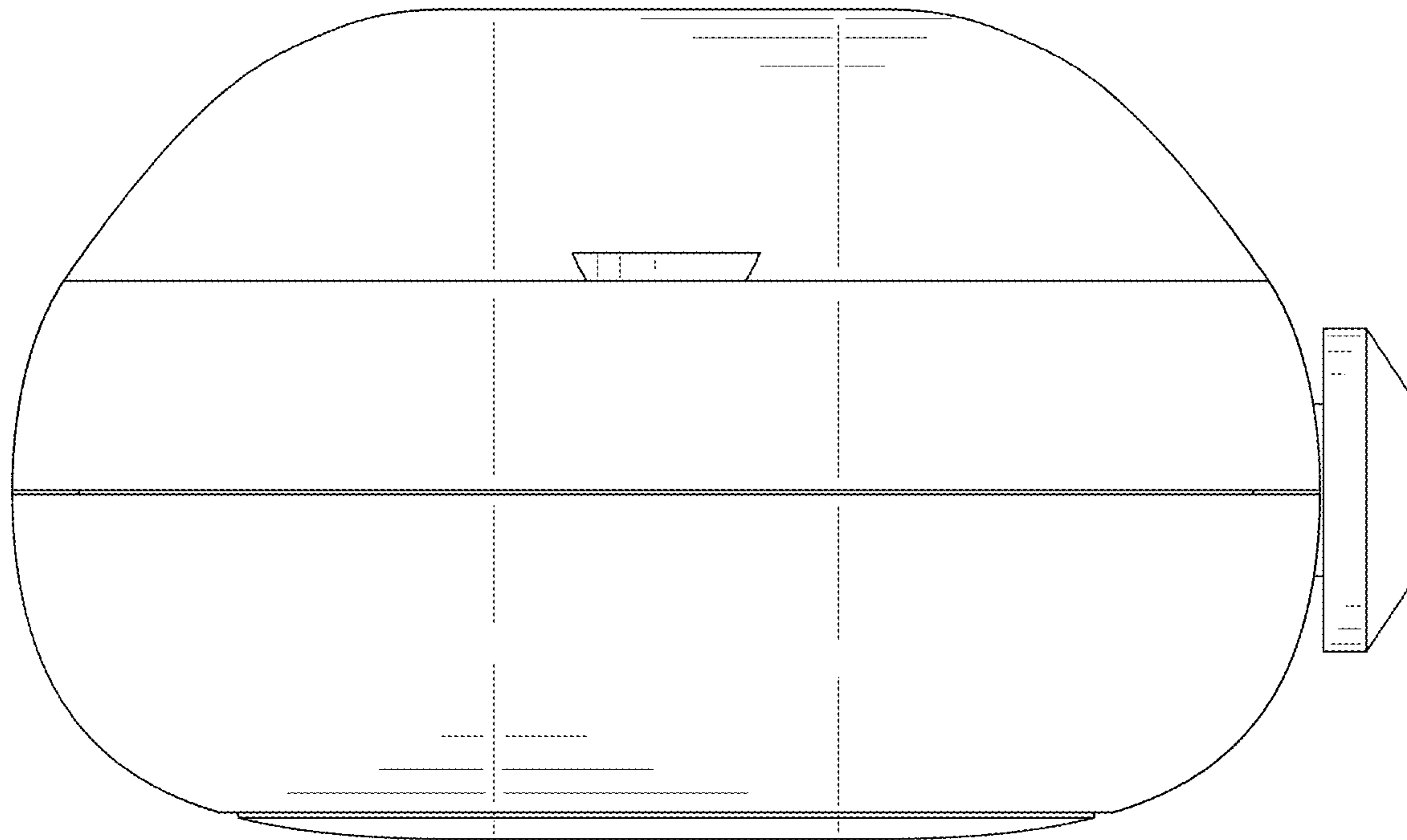


FIG. 8

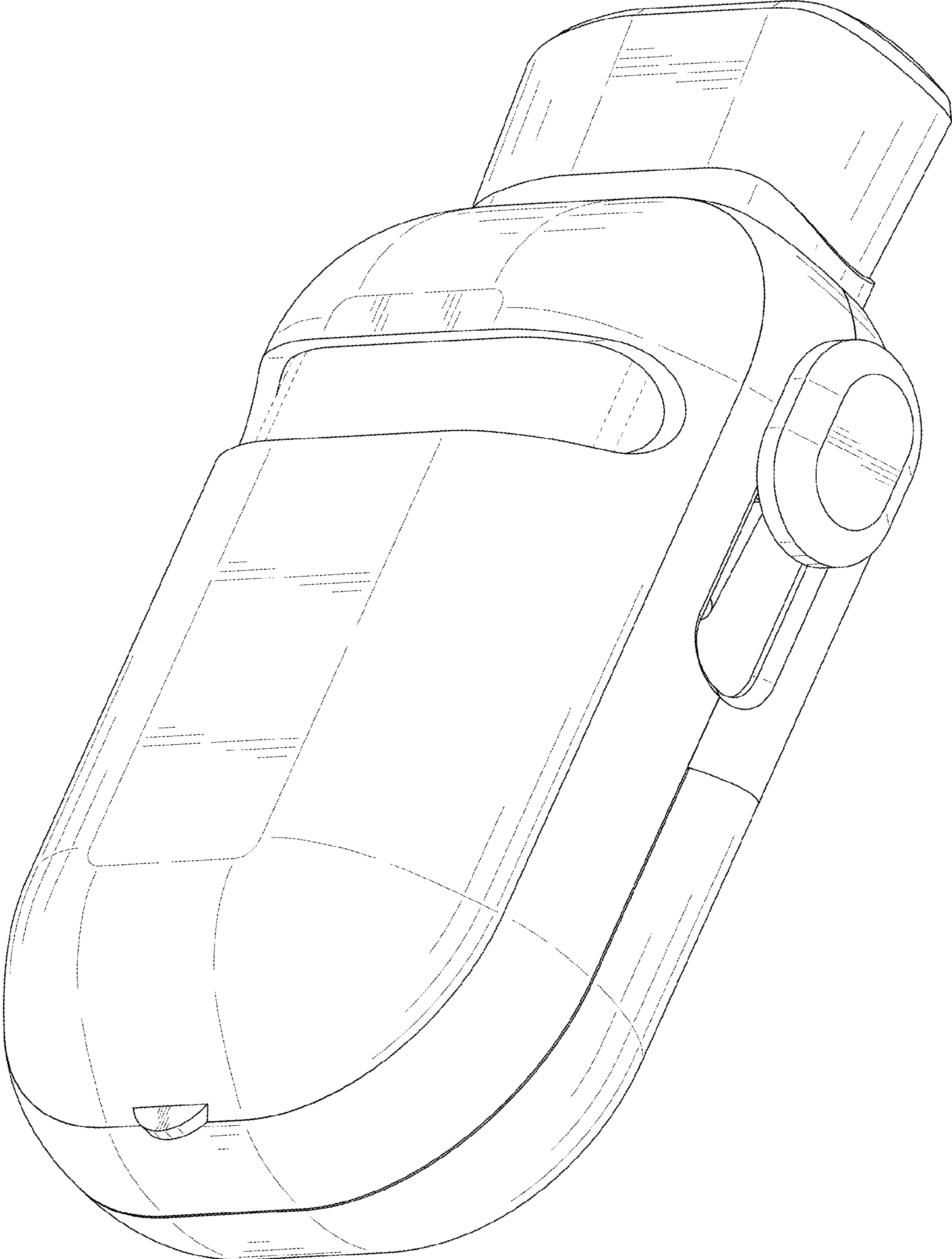


FIG. 9

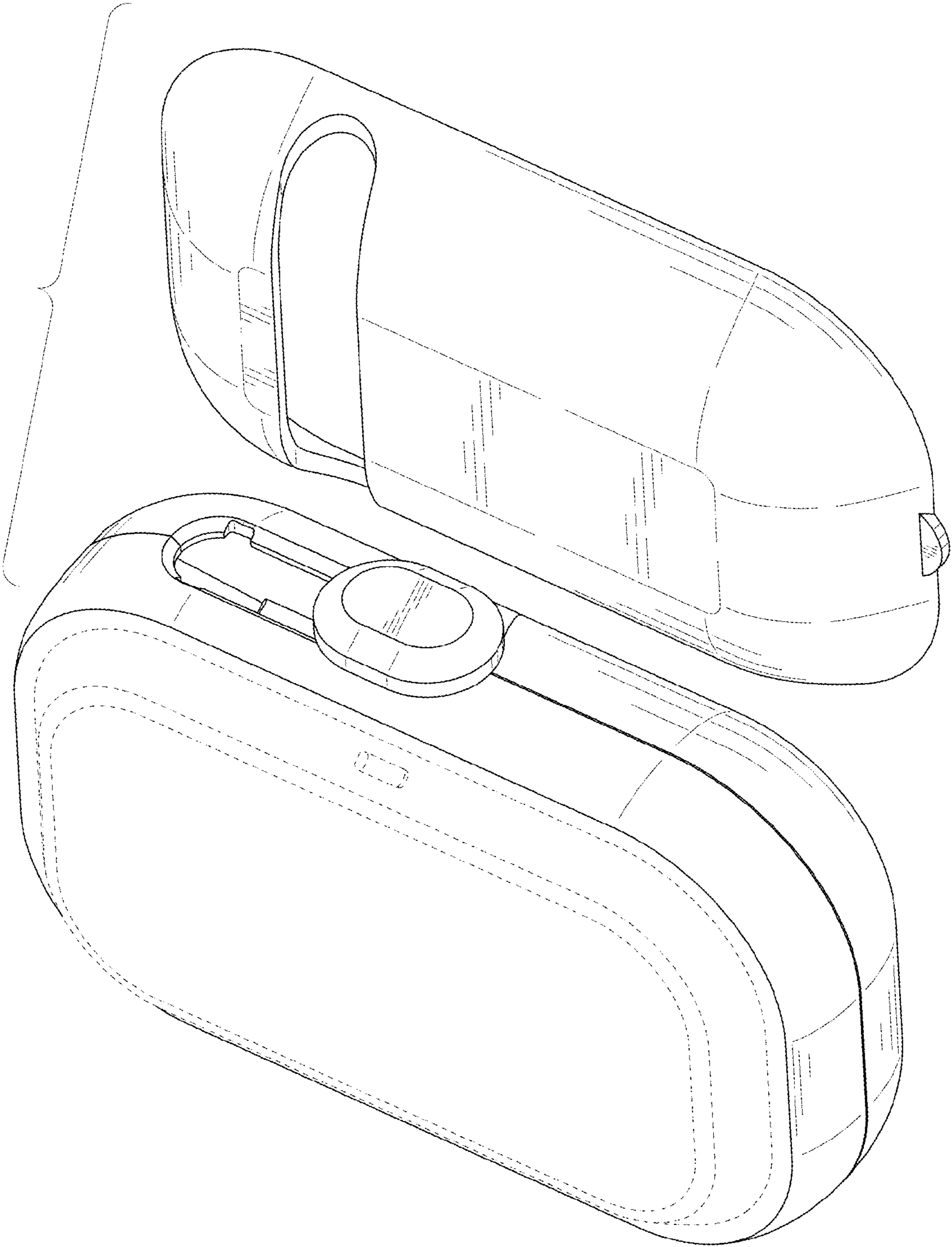


FIG. 10

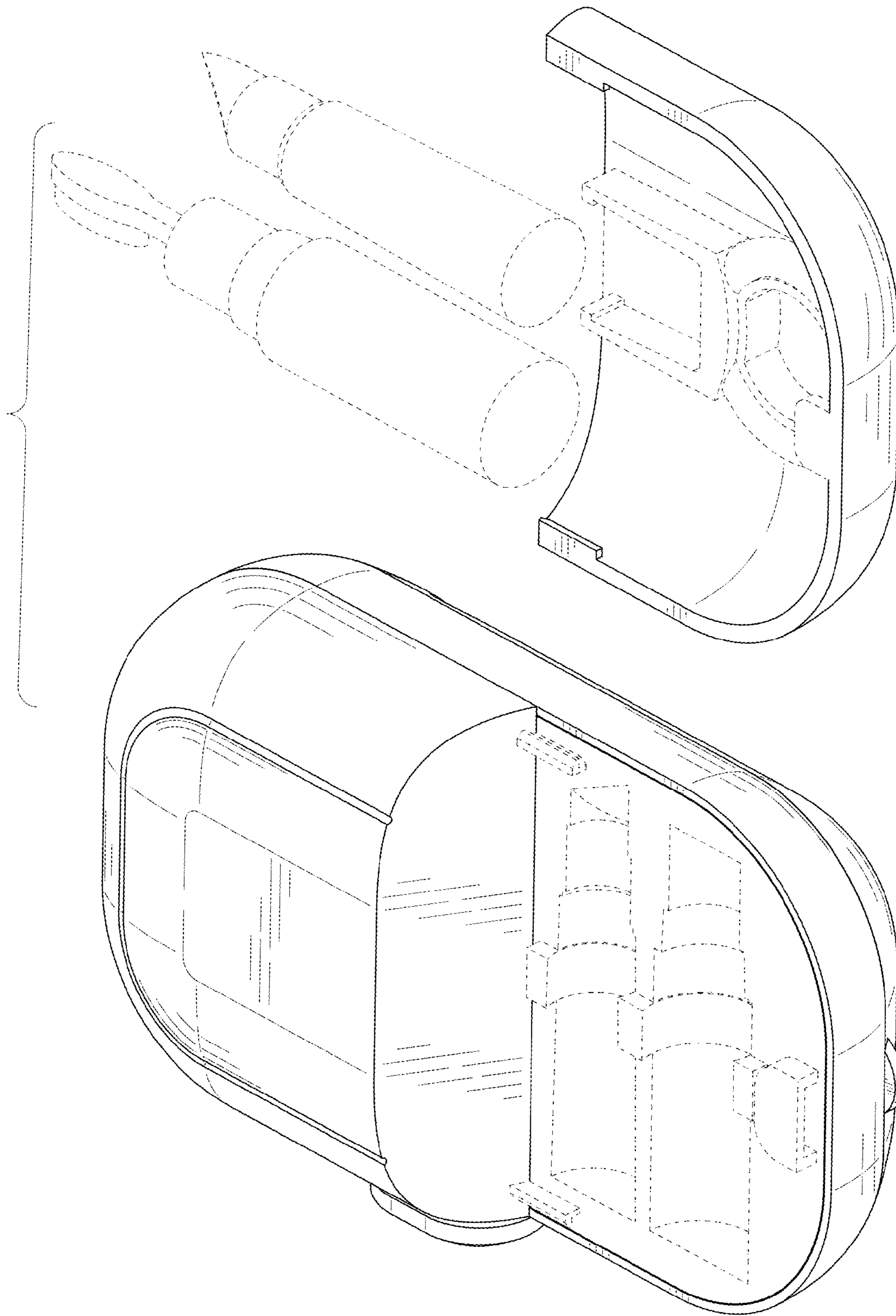


FIG. 11