



US00D952343S

(12) **United States Design Patent** (10) **Patent No.:** **US D952,343 S**  
**Liang** (45) **Date of Patent:** **\*\* May 24, 2022**

(54) **CASE FOR WIRELESS EARPHONES**

(71) Applicant: **Xiaochun Liang**, Shenzhen (CN)

(72) Inventor: **Xiaochun Liang**, Shenzhen (CN)

(\*\*) Term: **15 Years**

(21) Appl. No.: **29/787,649**

(22) Filed: **Jun. 8, 2021**

(51) **LOC (13) Cl.** ..... **03-01**

(52) **U.S. Cl.**  
USPC ..... **D3/301**

(58) **Field of Classification Search**  
USPC ..... D3/207, 208, 209, 210, 211, 212, 271.6,  
D3/294, 295, 299, 302, 303, 901, 903,  
D3/905  
CPC ... A45C 11/24; A45C 11/38; A45C 2011/001;  
A45C 13/02; A61J 1/03; A01K 97/06  
See application file for complete search history.

(56) **References Cited**

**U.S. PATENT DOCUMENTS**

|              |         |                 |       |          |
|--------------|---------|-----------------|-------|----------|
| D430,393 S * | 9/2000  | Conway          | ..... | D3/265   |
| D451,674 S * | 12/2001 | Leins           | ..... | D3/206   |
| D462,512 S * | 9/2002  | Wolf            | ..... | D3/205   |
| D703,944 S * | 5/2014  | Marks           | ..... | D3/203.5 |
| D712,144 S * | 9/2014  | Albanese        | ..... | D3/301   |
| D740,018 S * | 10/2015 | Zhang           | ..... | D3/265   |
| D887,351 S   | 6/2020  | Bonahoom et al. |       |          |
| D888,663 S   | 6/2020  | Weng            |       |          |

**OTHER PUBLICATIONS**

SUNGUY Earbuds Carrying Case, announced Sep. 5, 2018 [online], [site visited Mar. 24, 2022]. Available from internet, URL: <https://www.amazon.com/Carrying-SUNGUY%E3%80%90Pack-Portable-Headphones-Earphones/dp/B07FQCRG17/> (Year: 2018).\*  
TXEsign Carrying Protection Case, announced Sep. 5, 2018 [online], [site visited Mar. 24, 2022]. Available from internet, URL: <https://www.amazon.com/Carrying-Protection-Compatible-Wireless-Bluetooth/dp/B01320ZGMQ/> (Year: 2018).\*

\* cited by examiner

*Primary Examiner* — Kevin K Rudzinski

*Assistant Examiner* — Amber J Rabie

(57) **CLAIM**

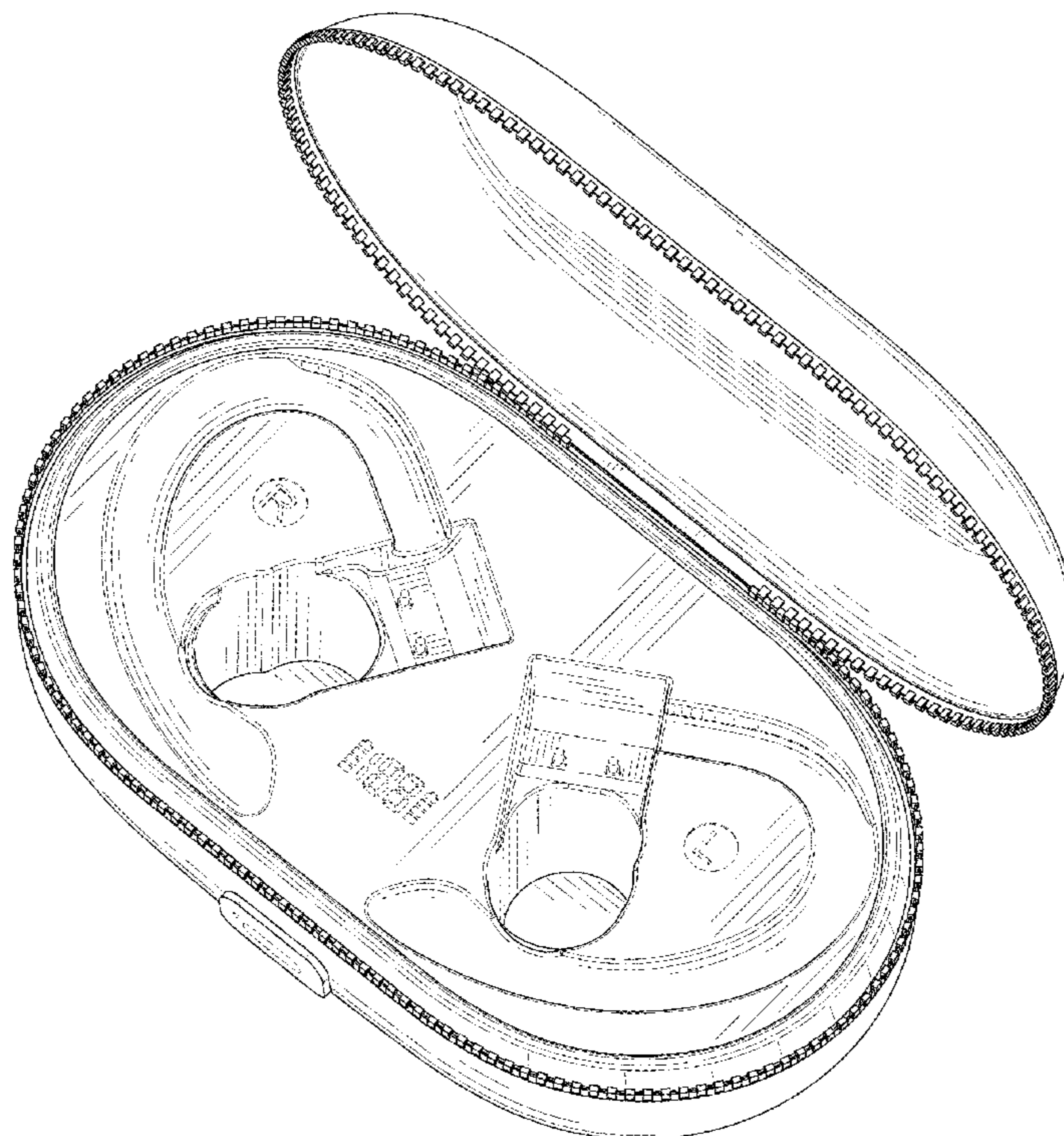
The ornamental design for a case for wireless earphones, as shown and described.

**DESCRIPTION**

FIG. 1 is a perspective view of a case for wireless earphones showing my new design;  
FIG. 2 is another perspective view thereof;  
FIG. 3 is a front elevational view thereof;  
FIG. 4 is a rear elevational view thereof;  
FIG. 5 is a left side elevational view thereof;  
FIG. 6 is a right side elevational view thereof;  
FIG. 7 is a top plan view thereof;  
FIG. 8 is a bottom plan view thereof; and,  
FIG. 9 is a perspective view showing the case for wireless earphones in a closed state.

The broken lines in the drawings are for the purpose of illustrating portions of the case for wireless earphones that form no part of the claimed design.

**1 Claim, 9 Drawing Sheets**



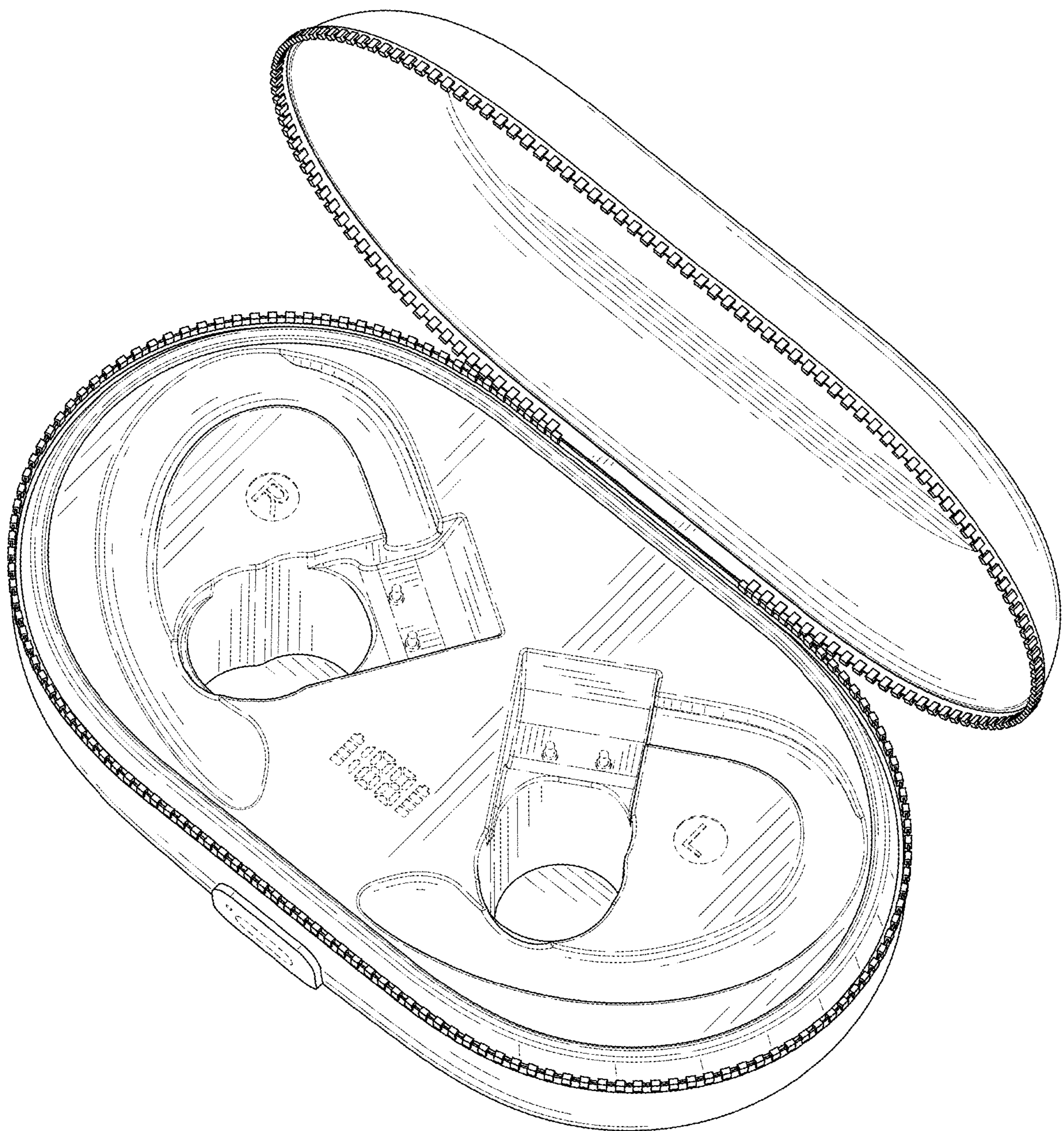


FIG. 1

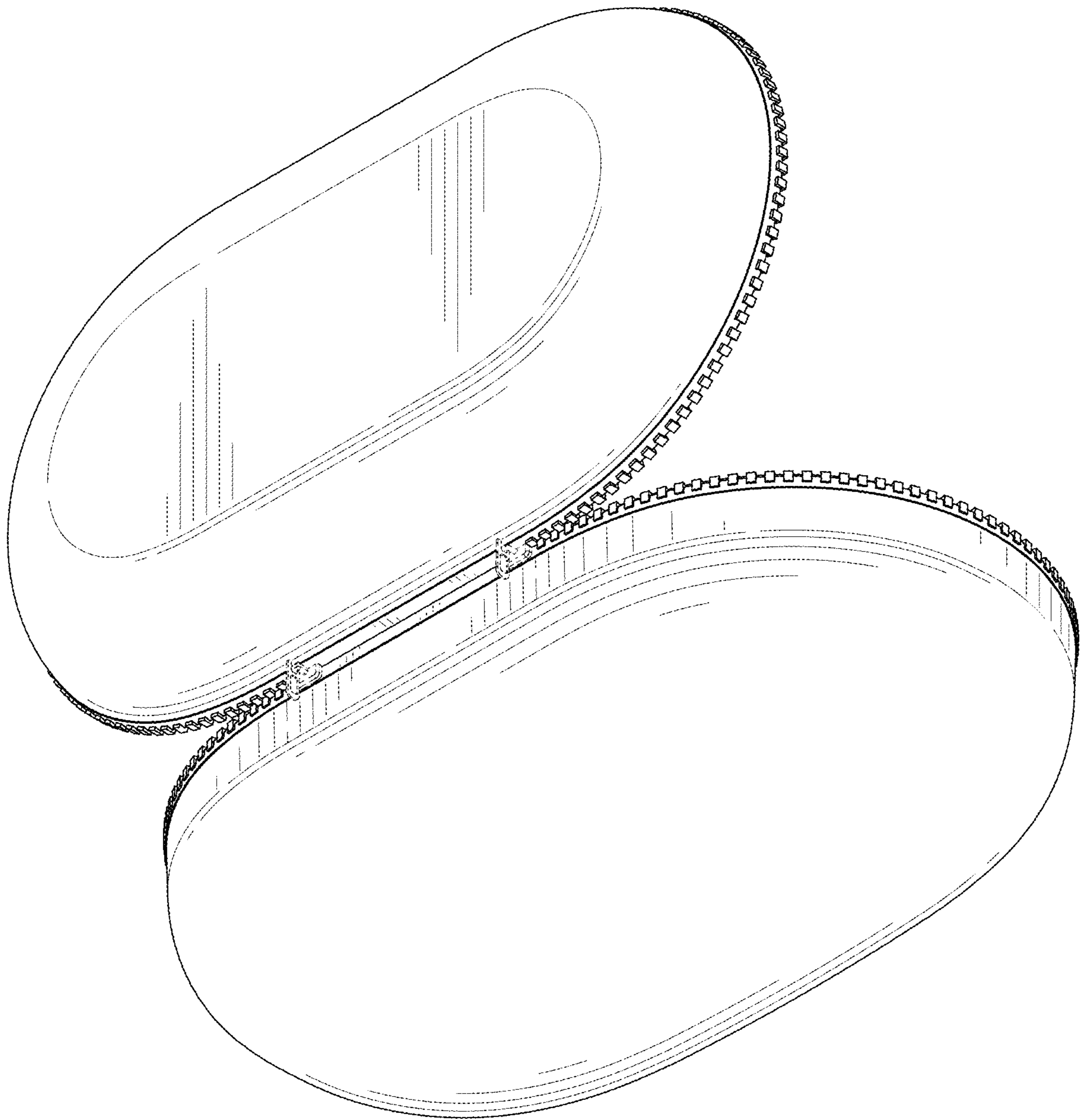


FIG. 2

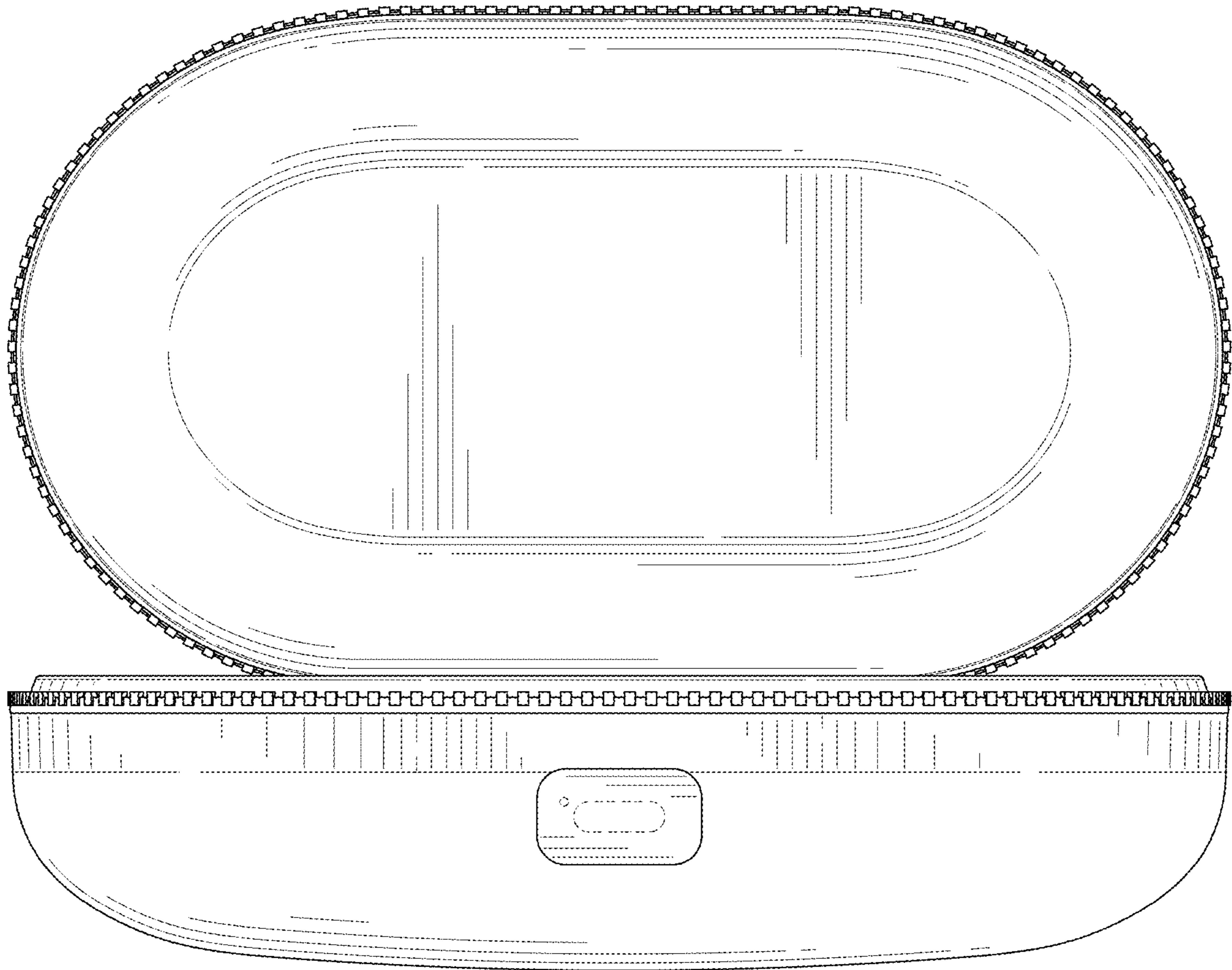


FIG. 3

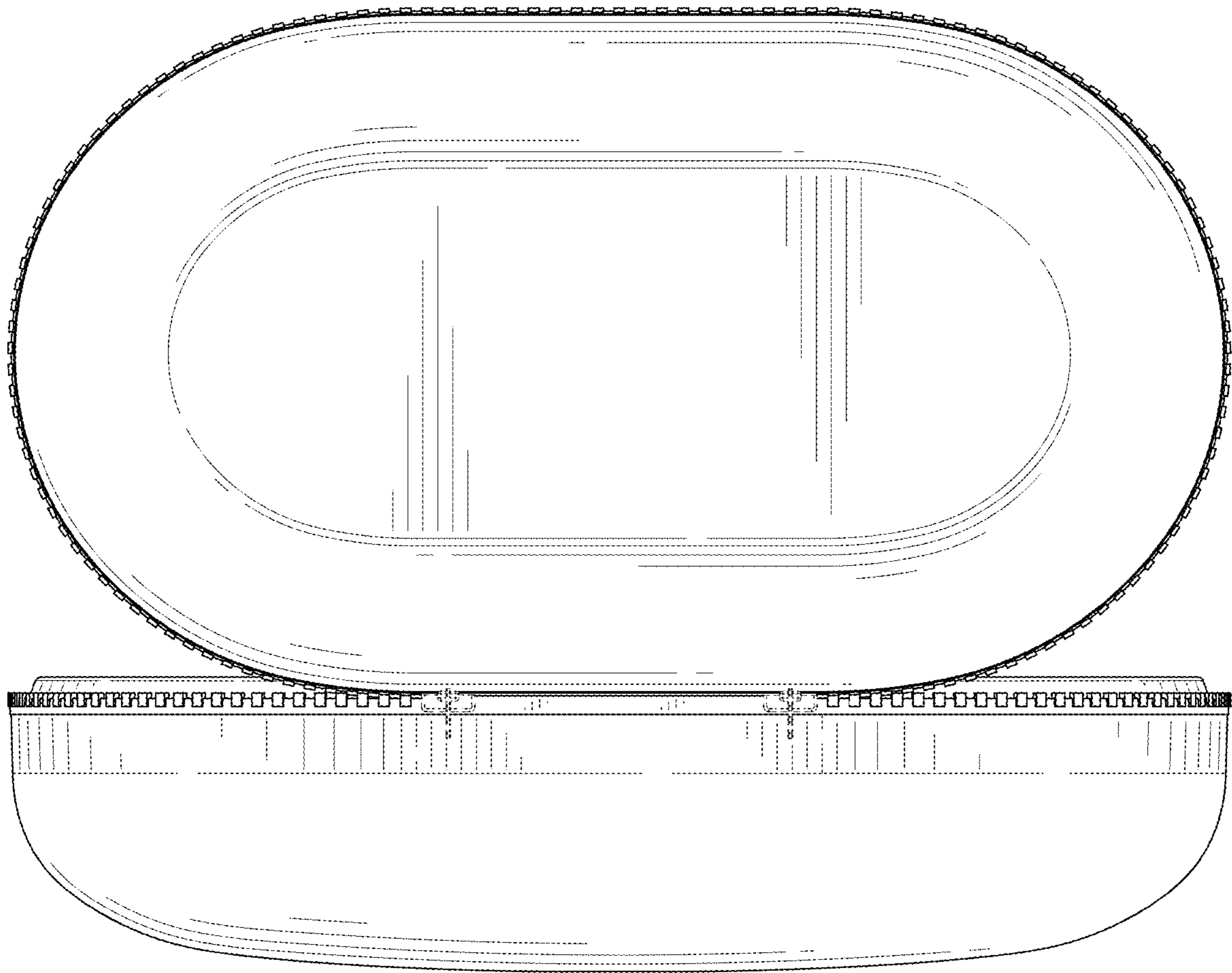


FIG. 4

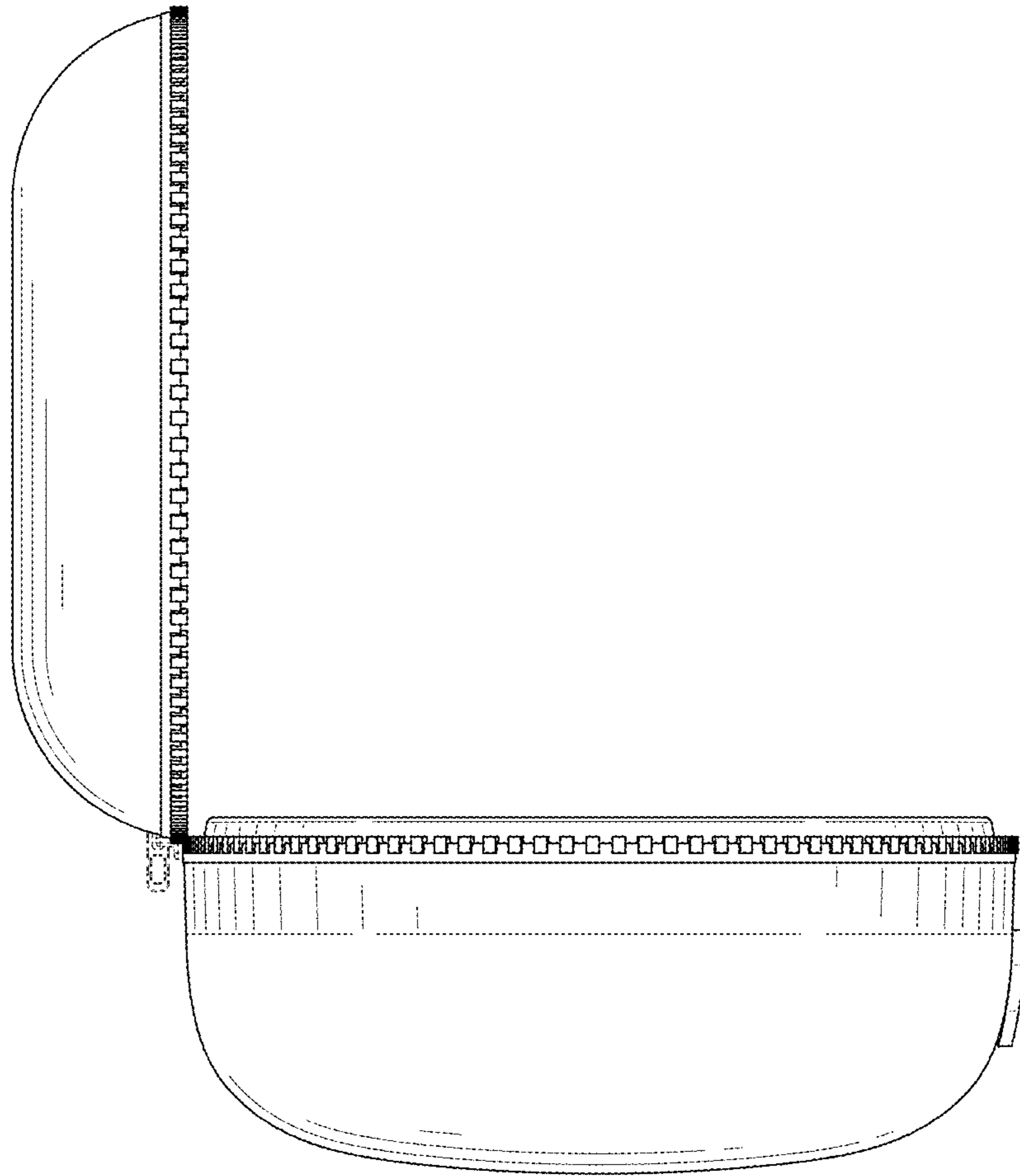


FIG. 5

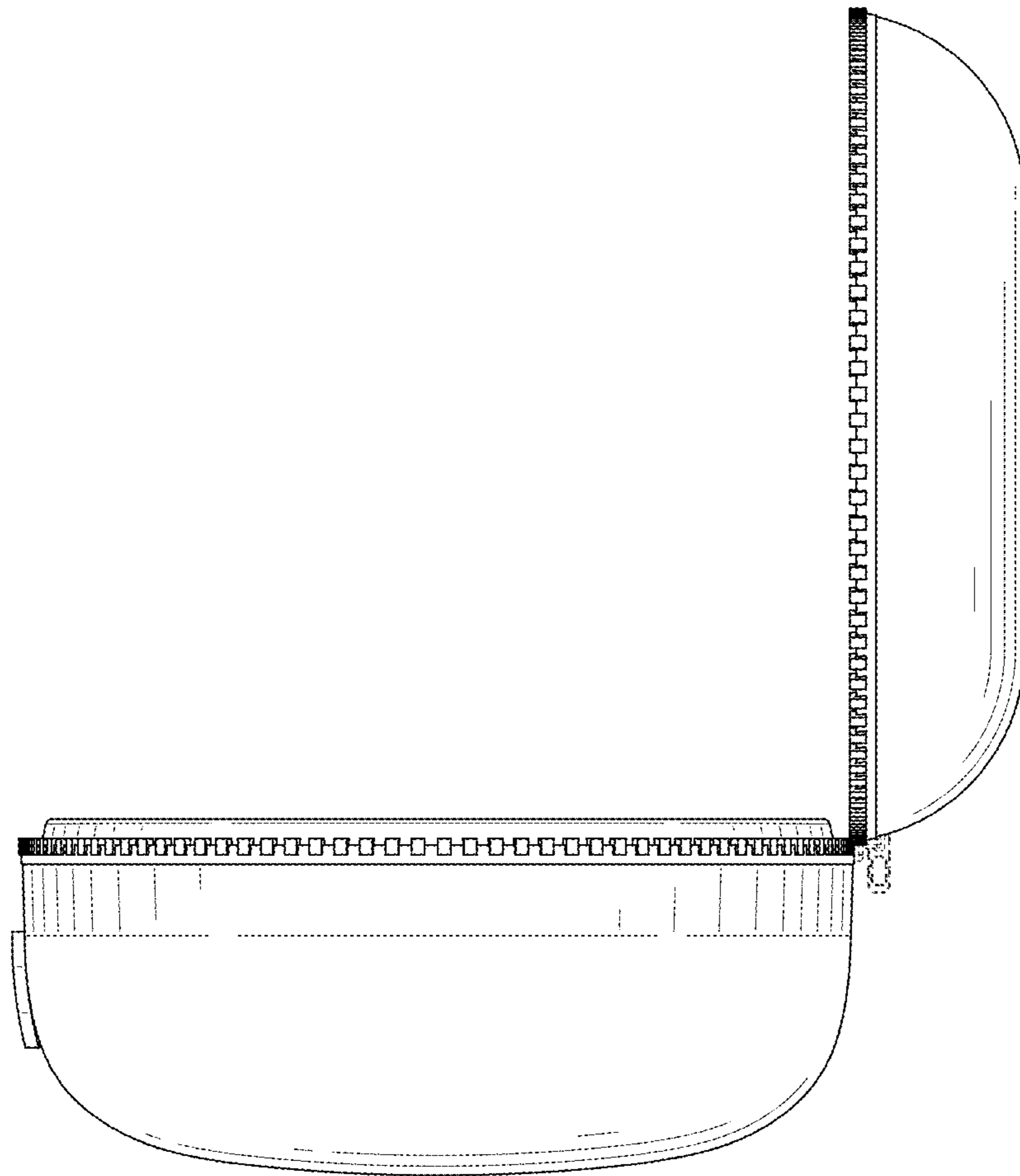


FIG. 6

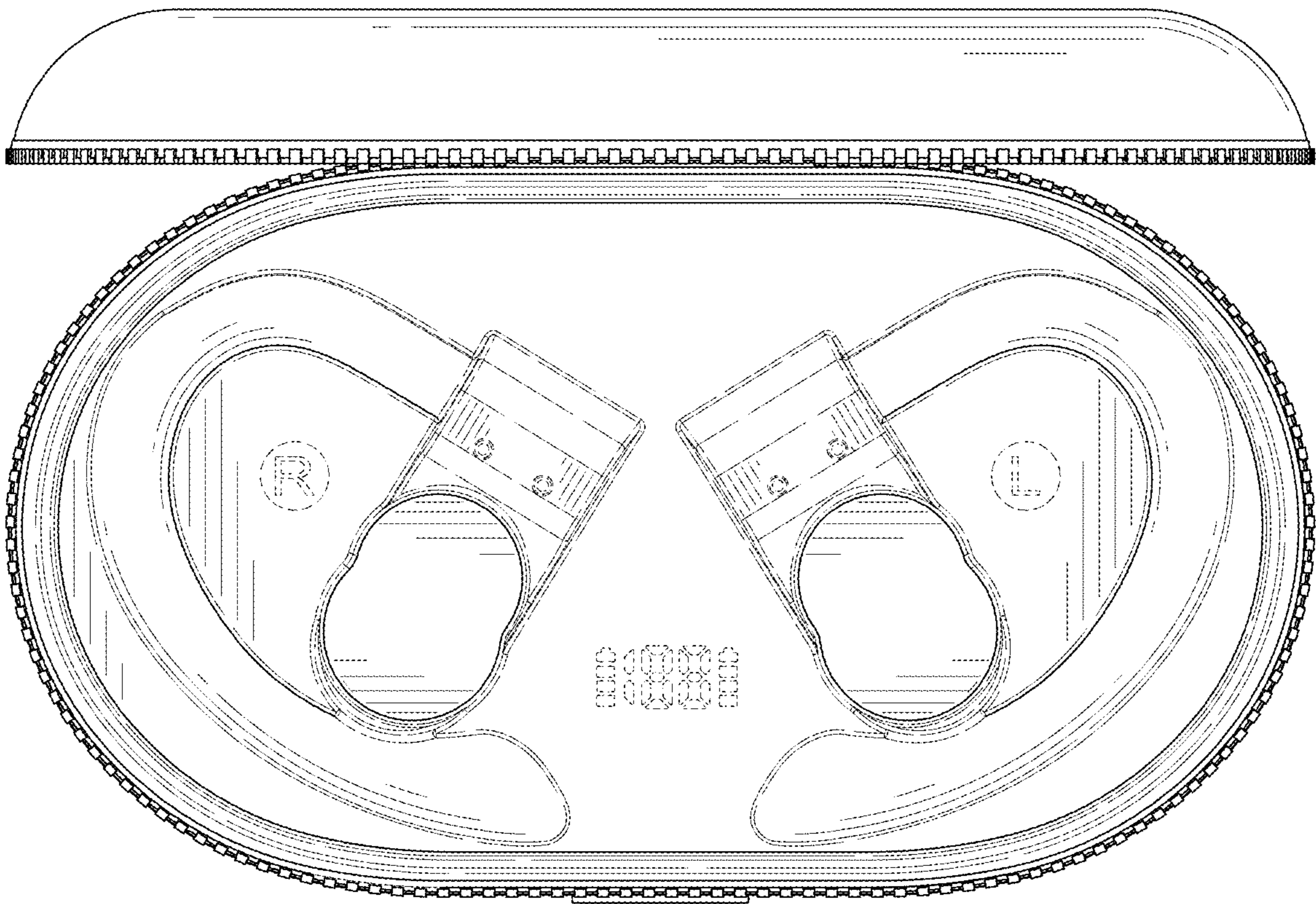


FIG. 7



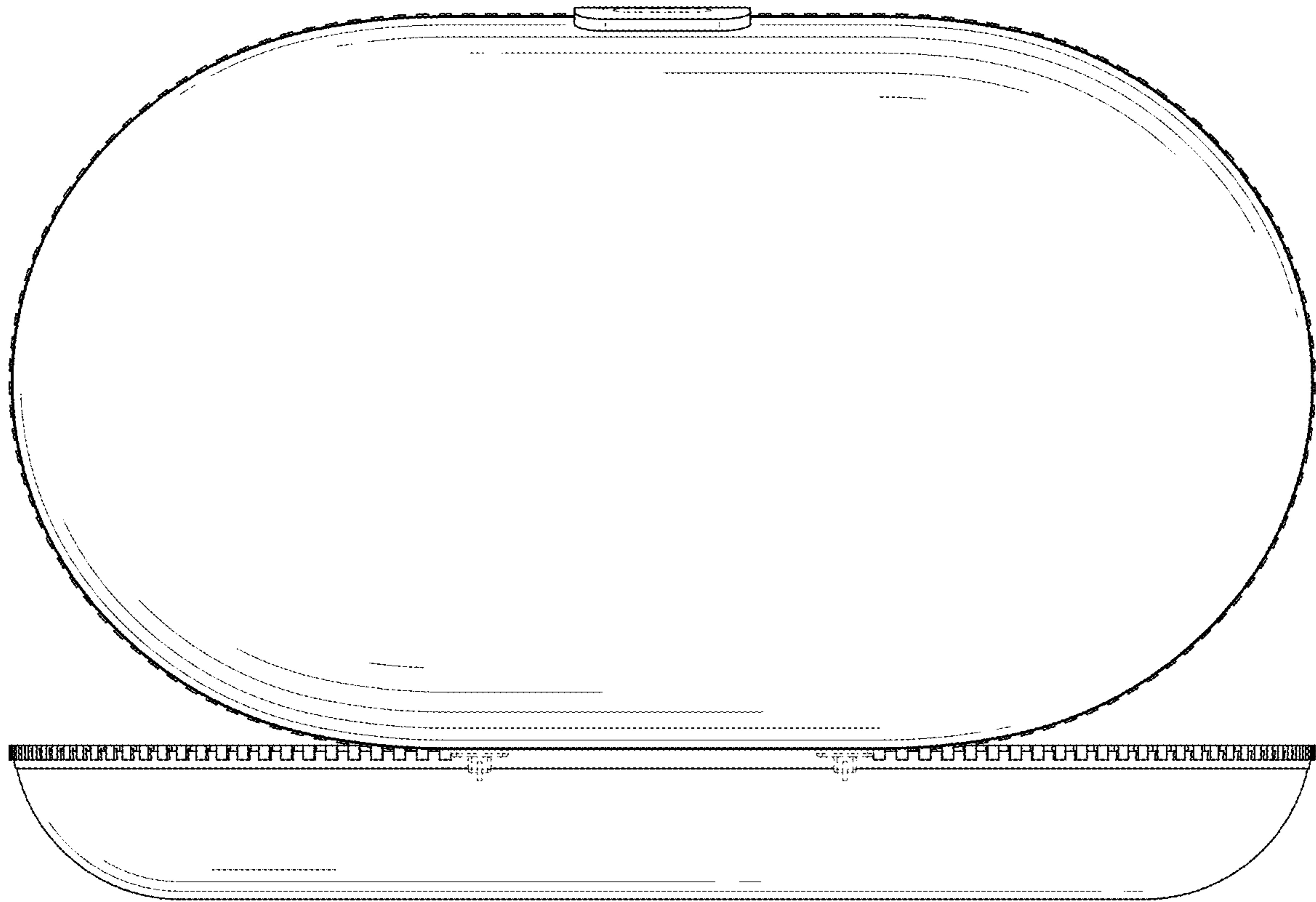


FIG. 8

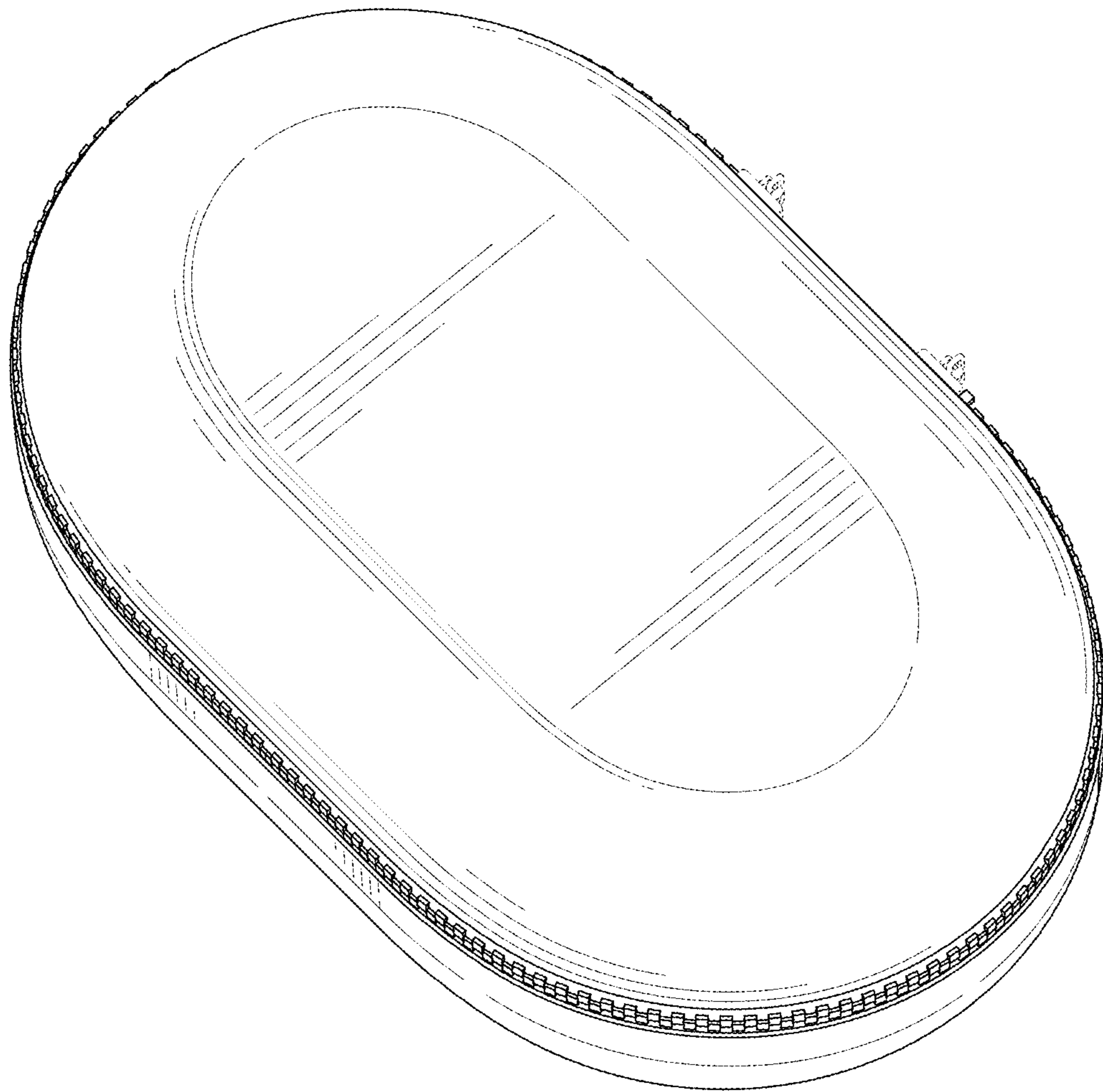


FIG. 9