



US00D952342S

(12) **United States Design Patent** (10) **Patent No.:** **US D952,342 S**
Eisenhardt et al. (45) **Date of Patent:** **** May 24, 2022**

(54) **TOOL BAG**

2015/0225164 A1* 8/2015 Seiders A45C 13/103
220/592.25

(71) Applicant: **MILWAUKEE ELECTRIC TOOL CORPORATION**, Brookfield, WI (US)

* cited by examiner

(72) Inventors: **Scott D. Eisenhardt**, Milwaukee, WI (US); **Zachary W. Richman**, Milwaukee, WI (US); **Grant T. Squiers**, Cudahy, WI (US)

Primary Examiner — Holly E Thurman

(74) *Attorney, Agent, or Firm* — Reinhart Boerner Van Deuren s.c.

(73) Assignee: **Milwaukee Electric Tool Corporation**, Brookfield, WI (US)

(57) **CLAIM**

We claim the ornamental design for a tool bag, as shown and described.

(**) Term: **15 Years**

DESCRIPTION

(21) Appl. No.: **29/667,251**

FIG. 1 is a perspective view of a tool bag according to an embodiment of the invention.

(22) Filed: **Oct. 19, 2018**

FIG. 2 is a first side view of the tool bag shown in FIG. 1. FIG. 3 is a second side view of the tool bag shown in FIG. 1.

(51) **LOC (13) Cl.** **03-01**

FIG. 4 is a third side view of the tool bag shown in FIG. 1. FIG. 5 is a fourth side view of the tool bag shown in FIG. 1.

(52) **U.S. Cl.**
USPC **D3/301**

(58) **Field of Classification Search**
USPC D3/201, 263, 265, 289, 301, 905
CPC B65D 85/38; B65D 2575/329
See application file for complete search history.

FIG. 6 is a top view of the tool bag shown in FIG. 1. FIG. 7 is a bottom view of the tool bag shown in FIG. 1. FIG. 8 is a perspective view of a tool bag according to an embodiment of the invention.

(56) **References Cited**

U.S. PATENT DOCUMENTS

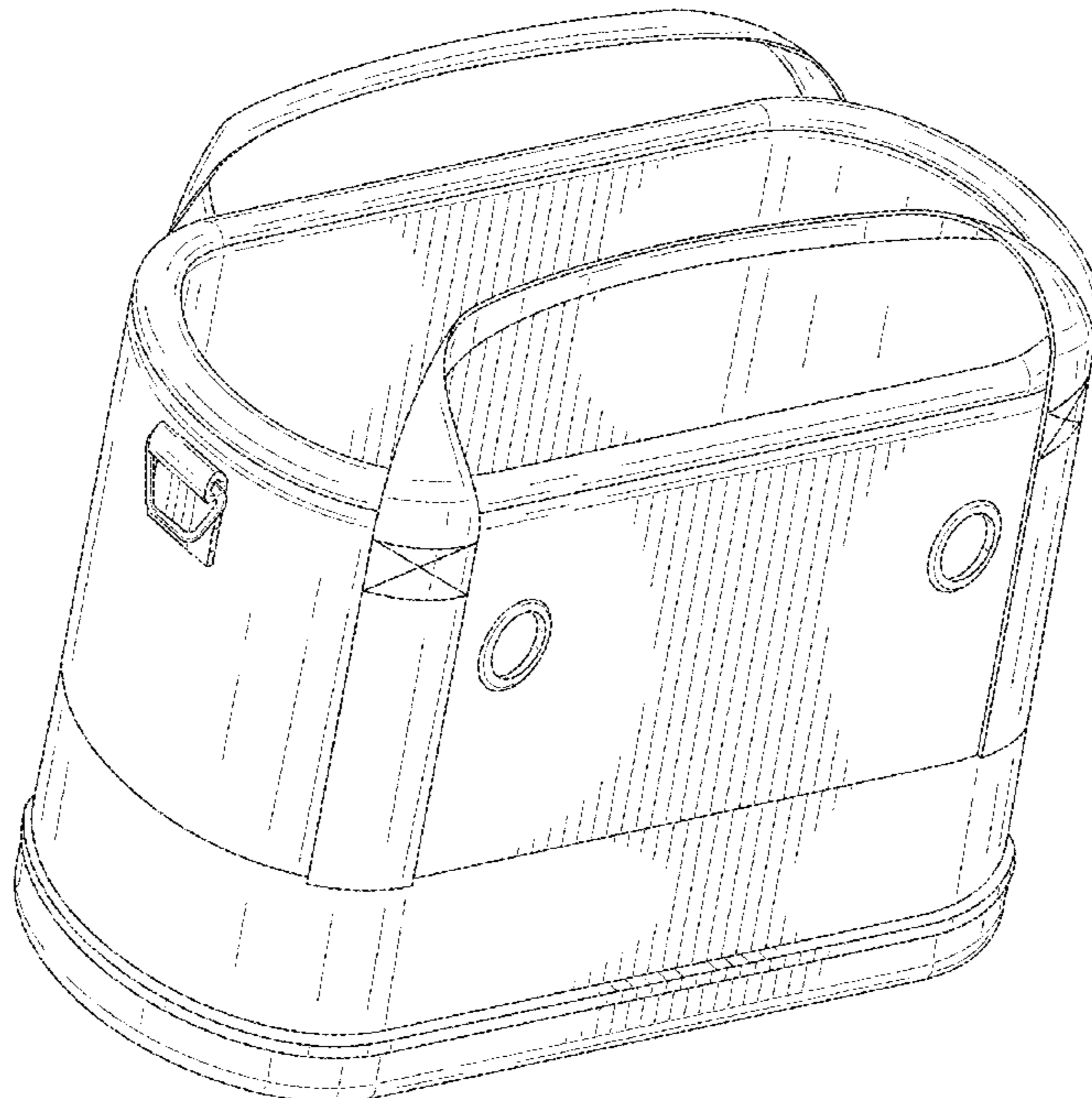
D447,340 S *	9/2001	Snider	D3/276
D447,630 S *	9/2001	Snider	D3/276
D553,362 S *	10/2007	Godshaw	D3/310
D732,899 S *	6/2015	Seiders	D7/607
D786,562 S *	5/2017	Seiders	D3/318
D822,987 S *	7/2018	Seiders	D3/246
D822,998 S *	7/2018	Seiders	D3/318
D871,764 S *	1/2020	Woolery	D3/308
D885,760 S *	6/2020	Whitfield	D3/279

FIG. 9 is a first side view of the tool bag shown in FIG. 8. FIG. 10 is a second side view of the tool bag shown in FIG. 8.

FIG. 11 is a third side view of the tool bag shown in FIG. 8. FIG. 12 is a fourth side view of the tool bag shown in FIG. 8.

FIG. 13 is a top view of the tool bag shown in FIG. 8; and, FIG. 14 is a bottom view of the tool bag shown in FIG. 8. The elements shown in broken lines are included for the purpose of illustrating environment and form no part of the claimed design.

1 Claim, 14 Drawing Sheets



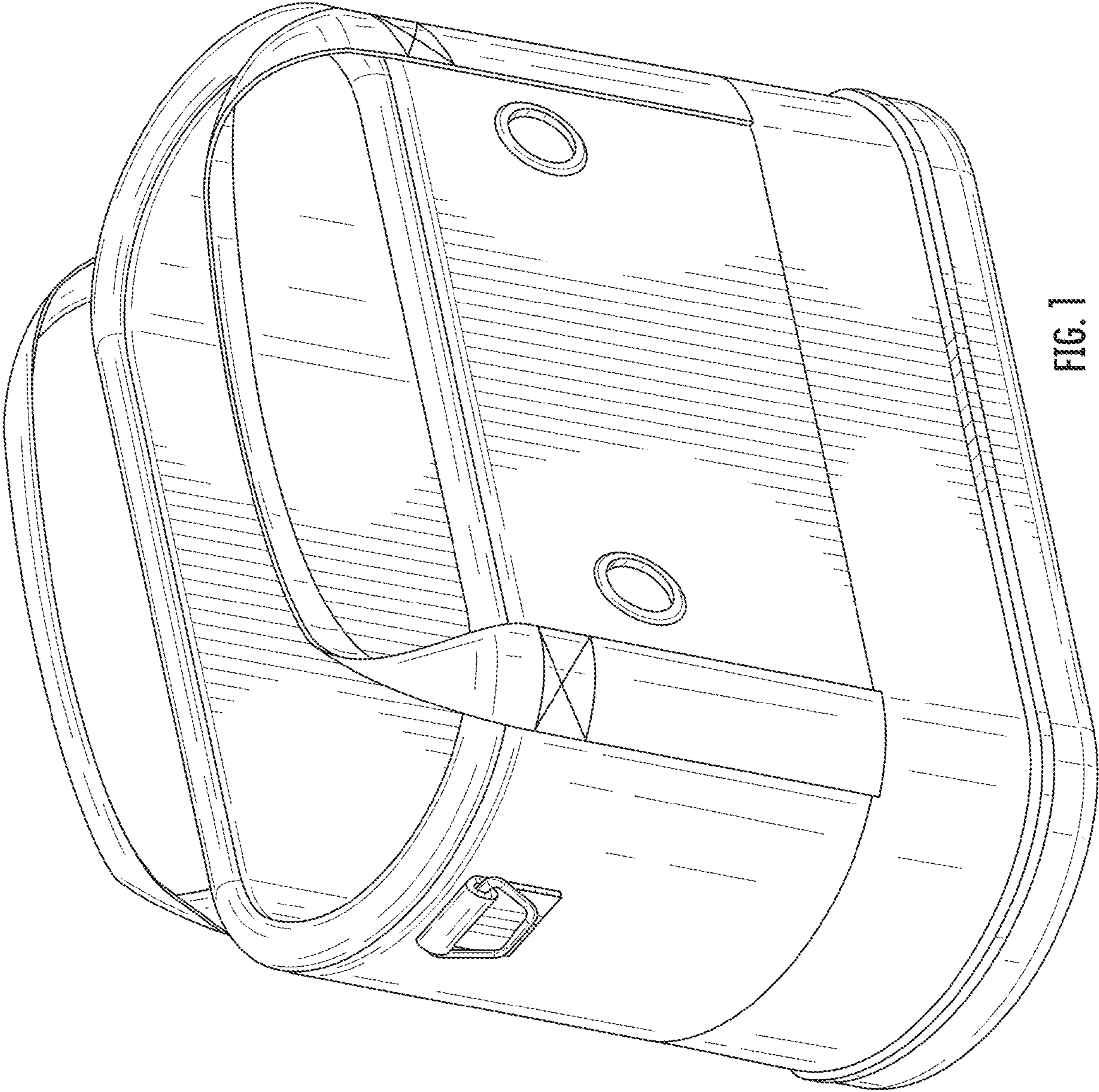


FIG. 1

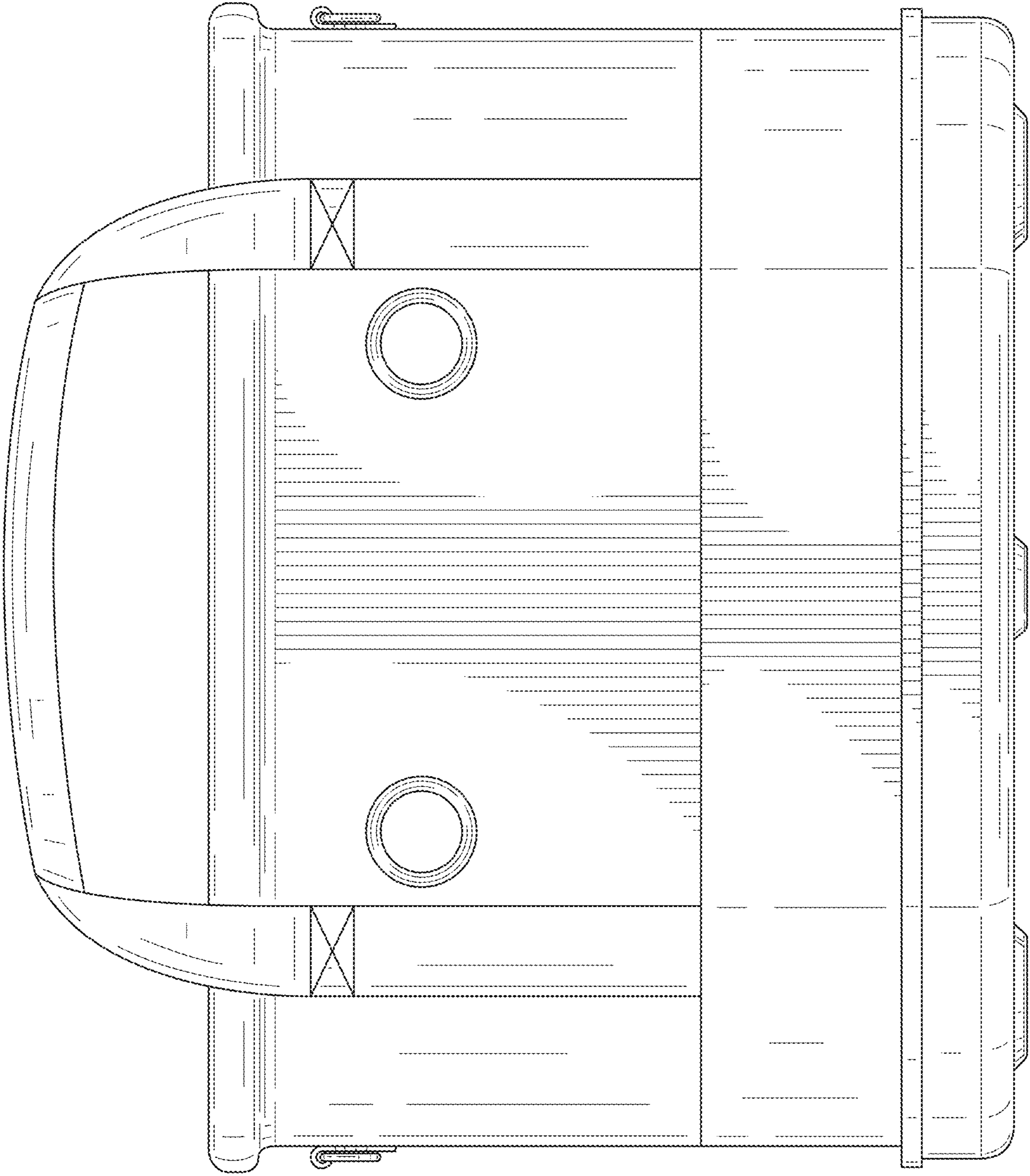


FIG. 2

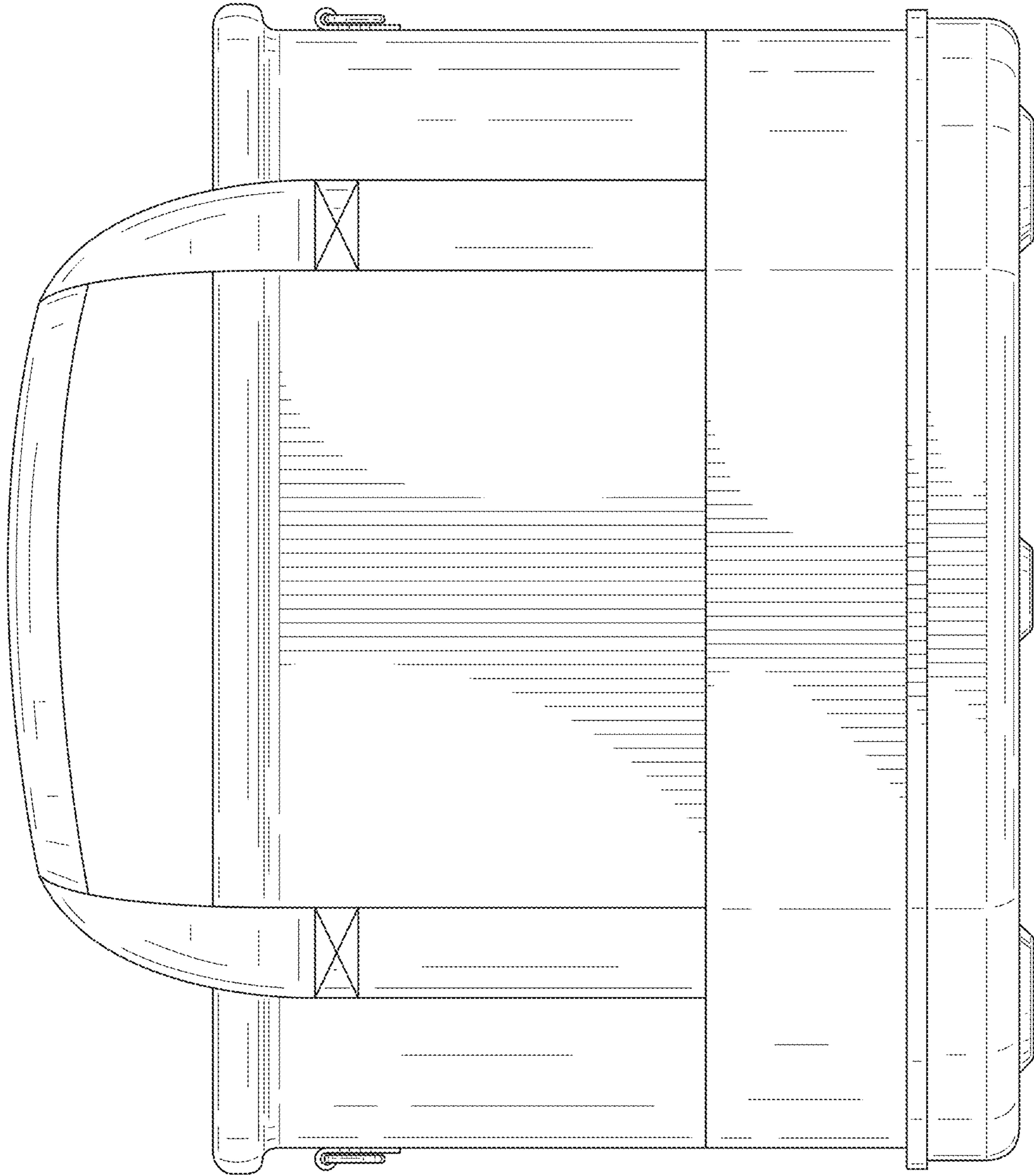


FIG. 3

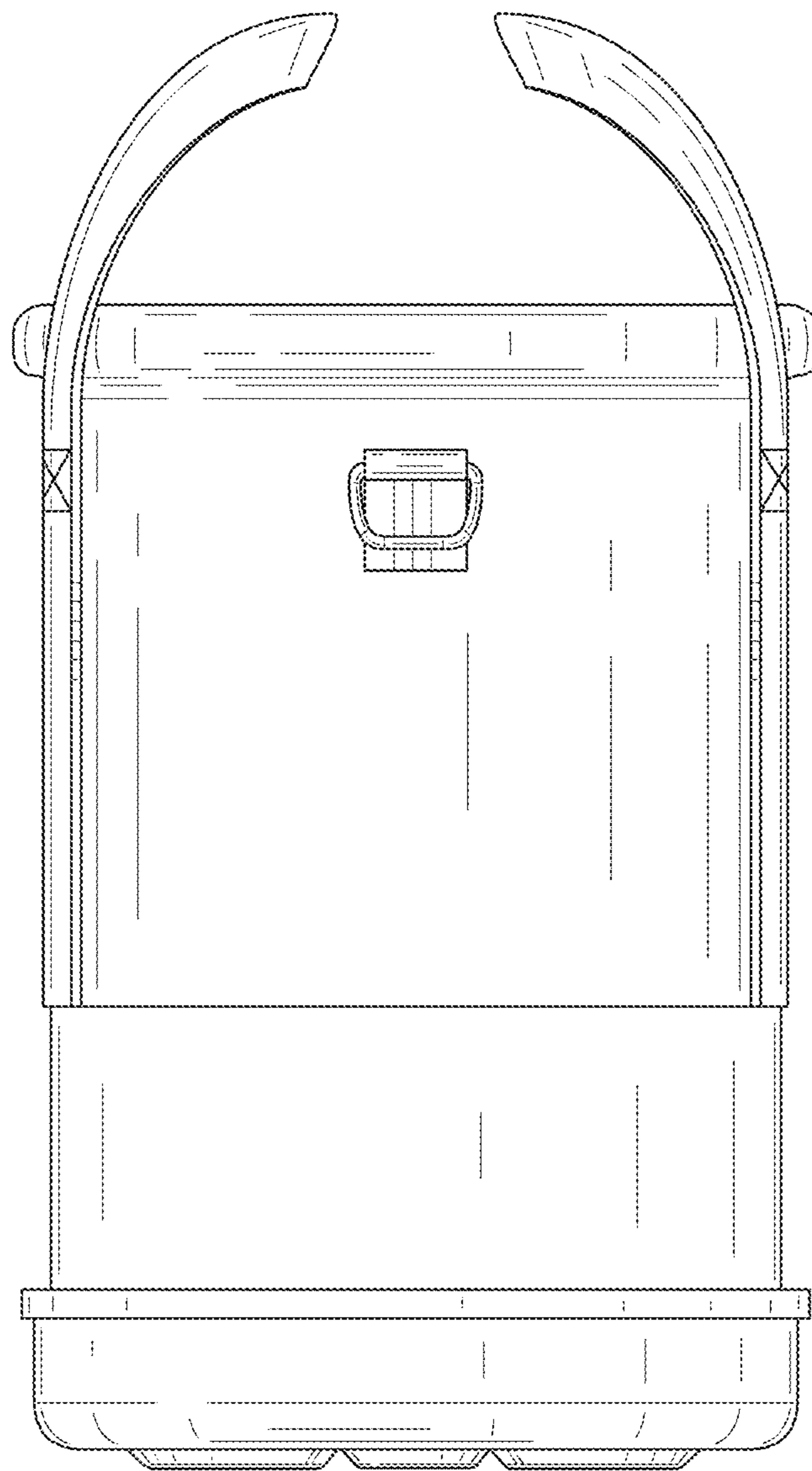


FIG. 4

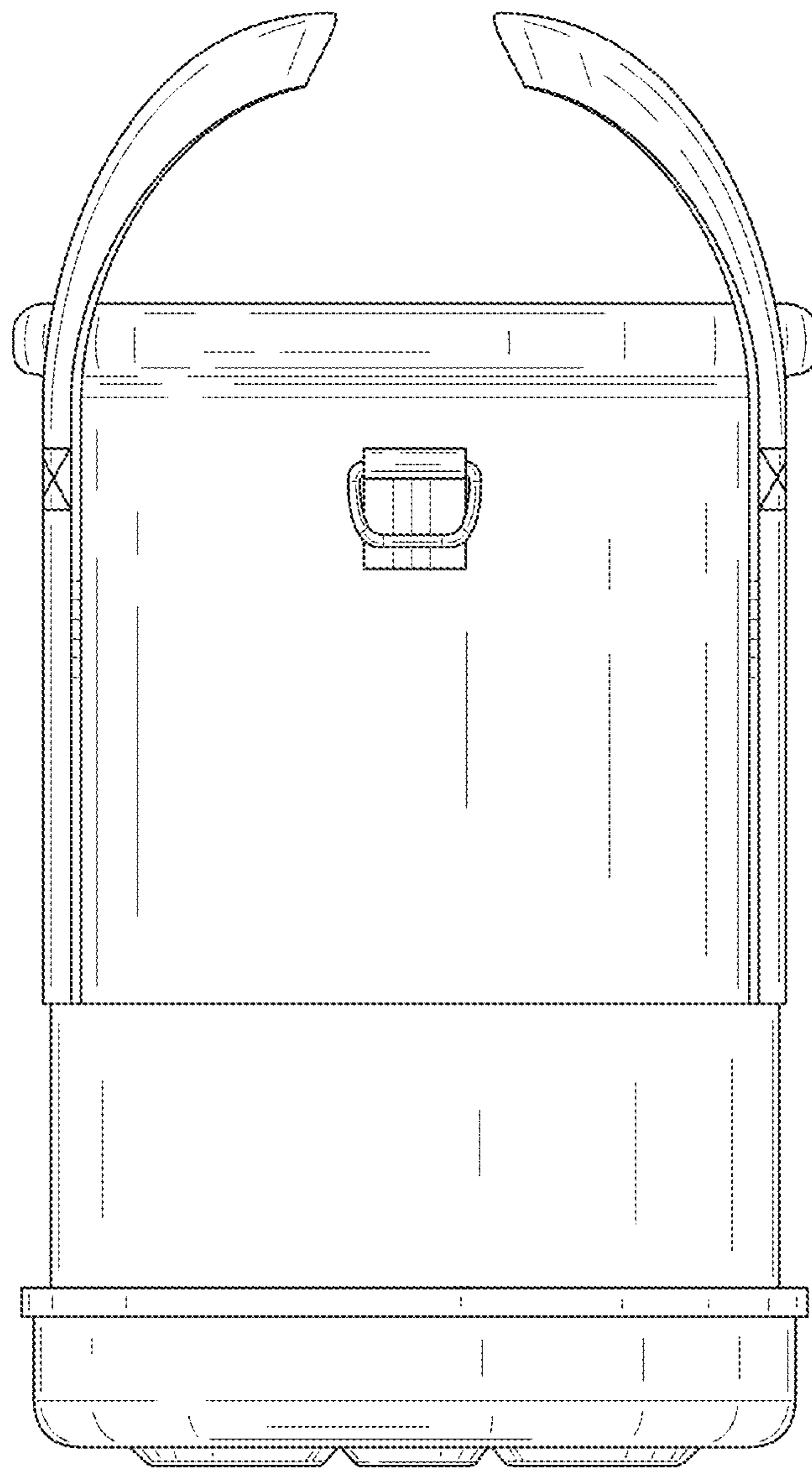


FIG. 5

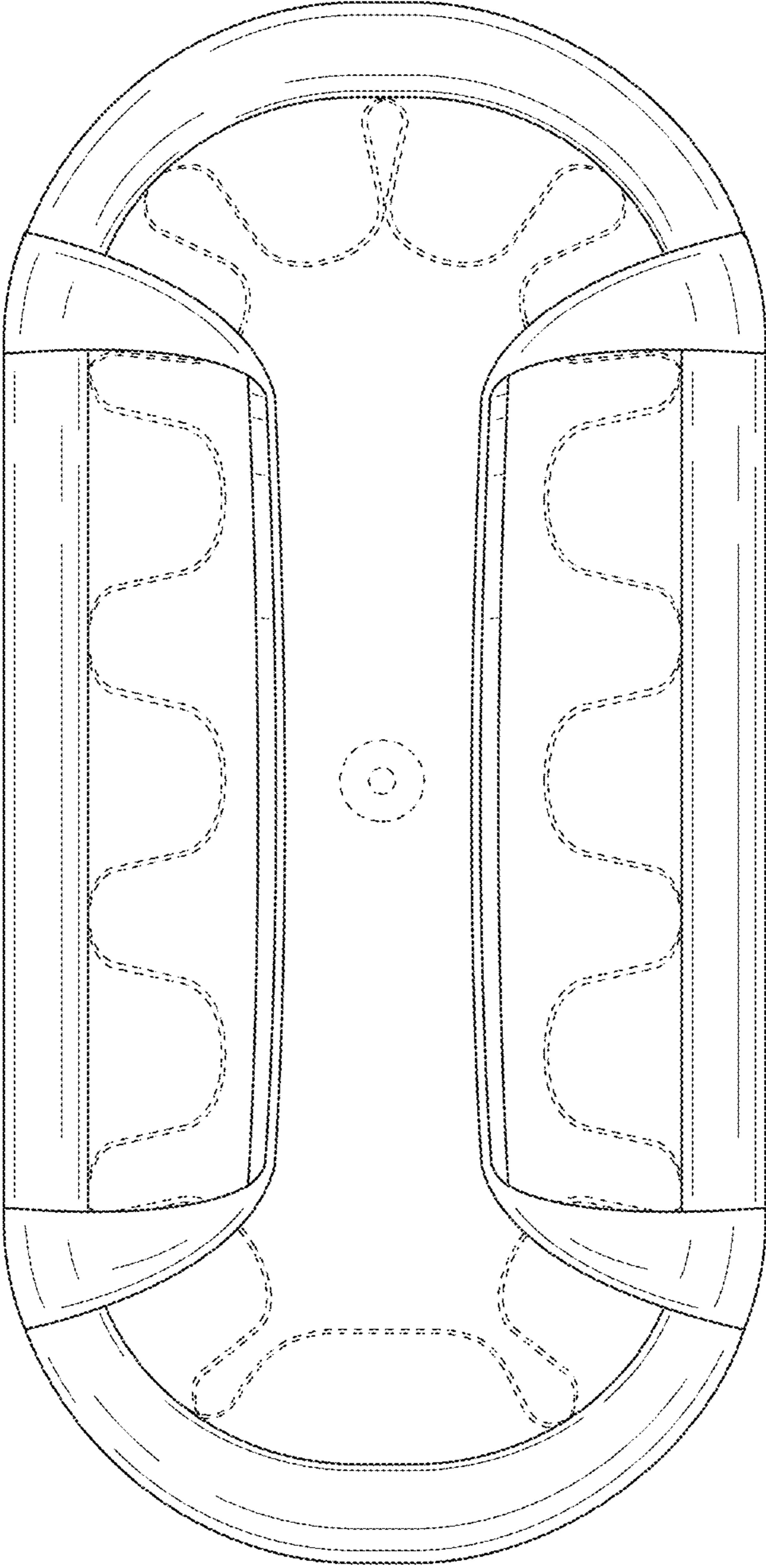


FIG. 6

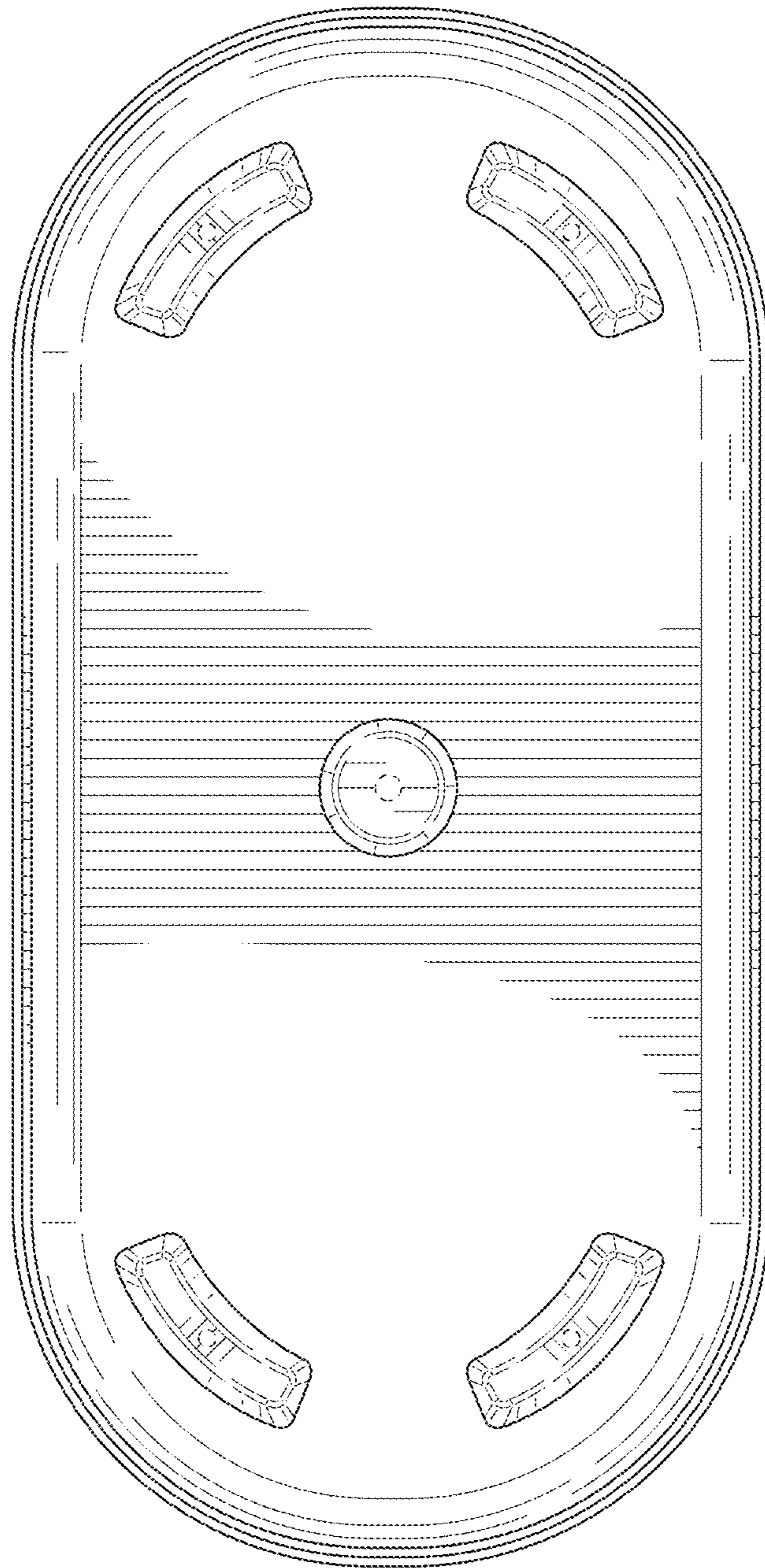


FIG. 7

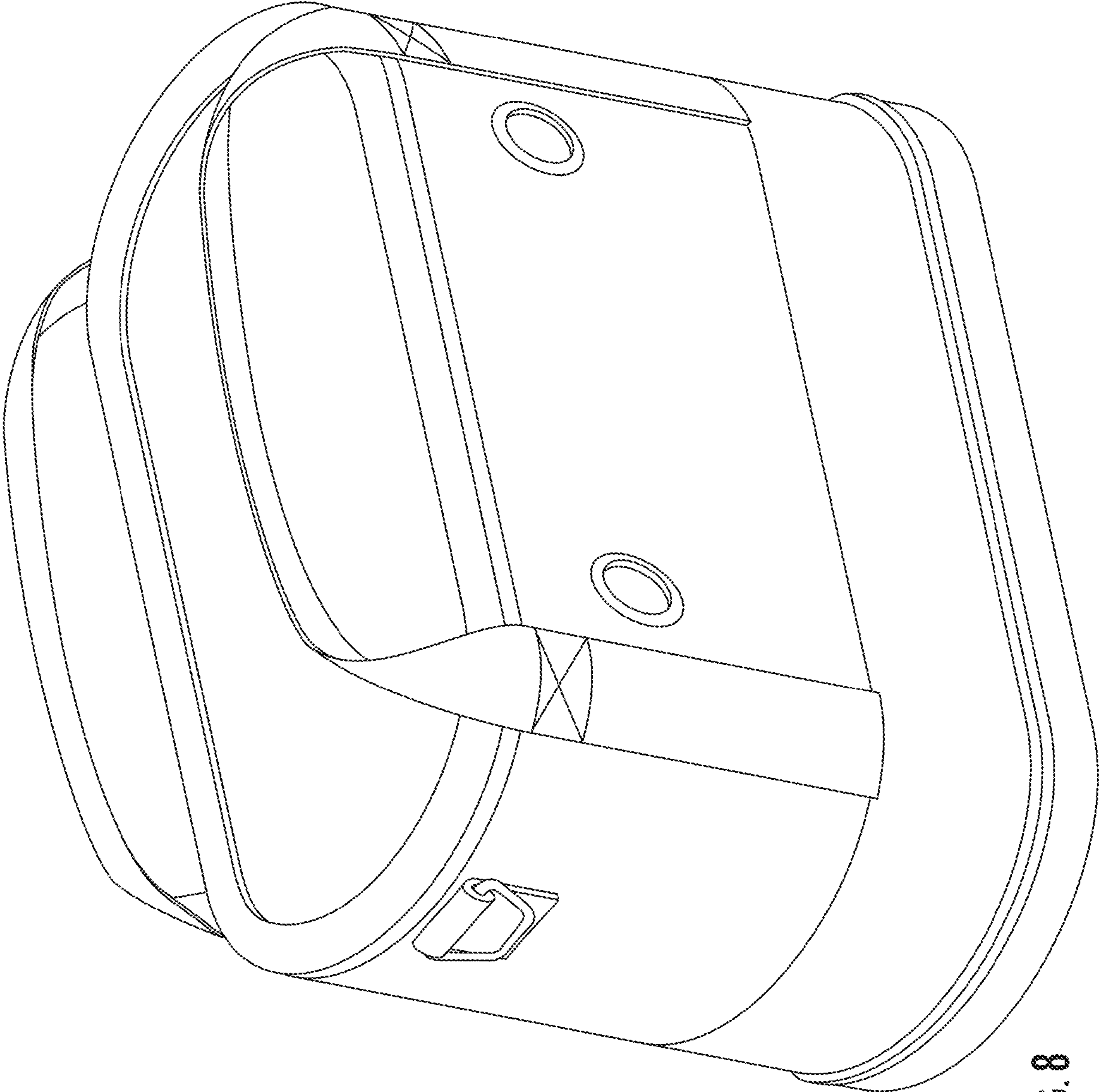


FIG. 8

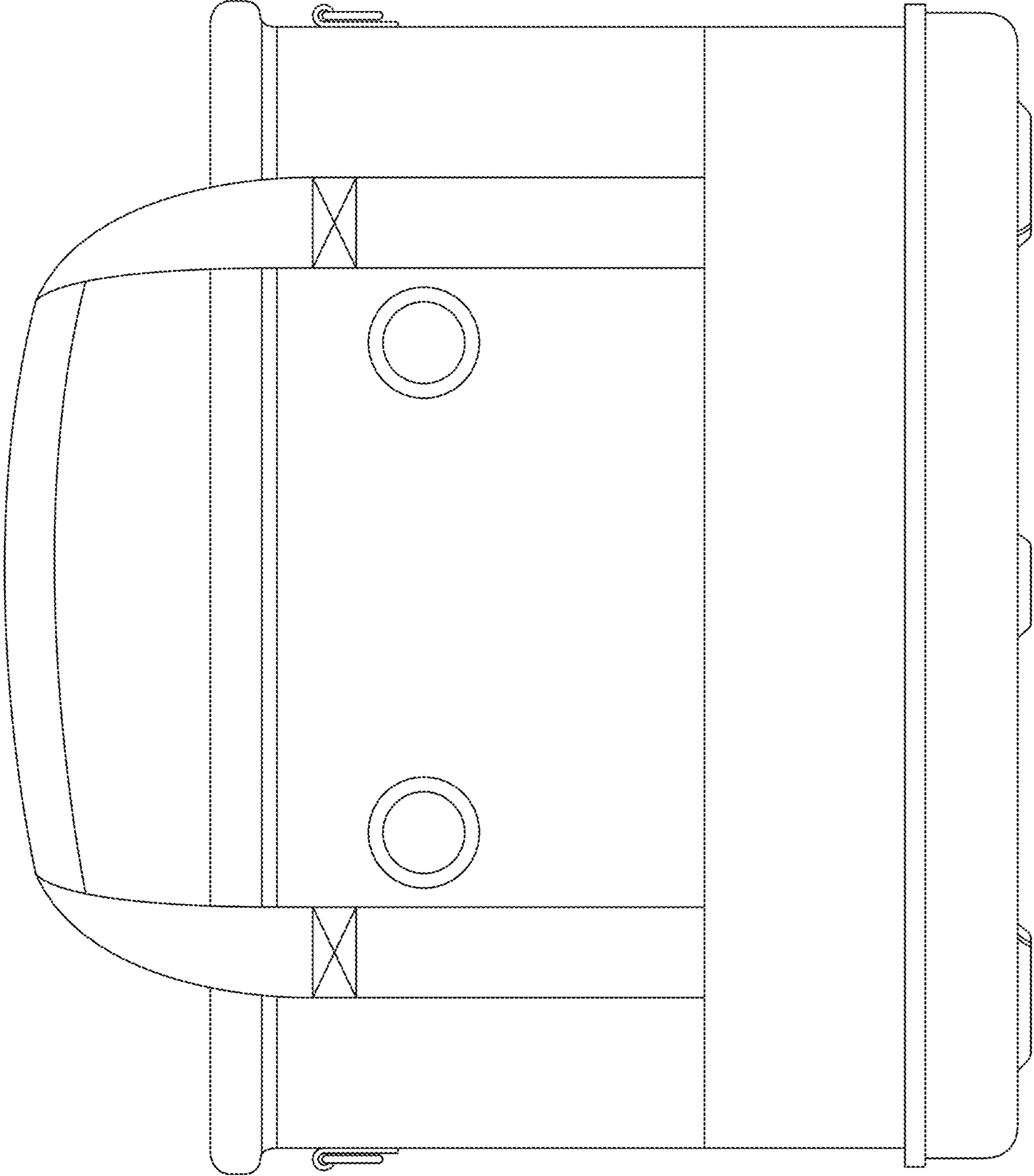


FIG. 9

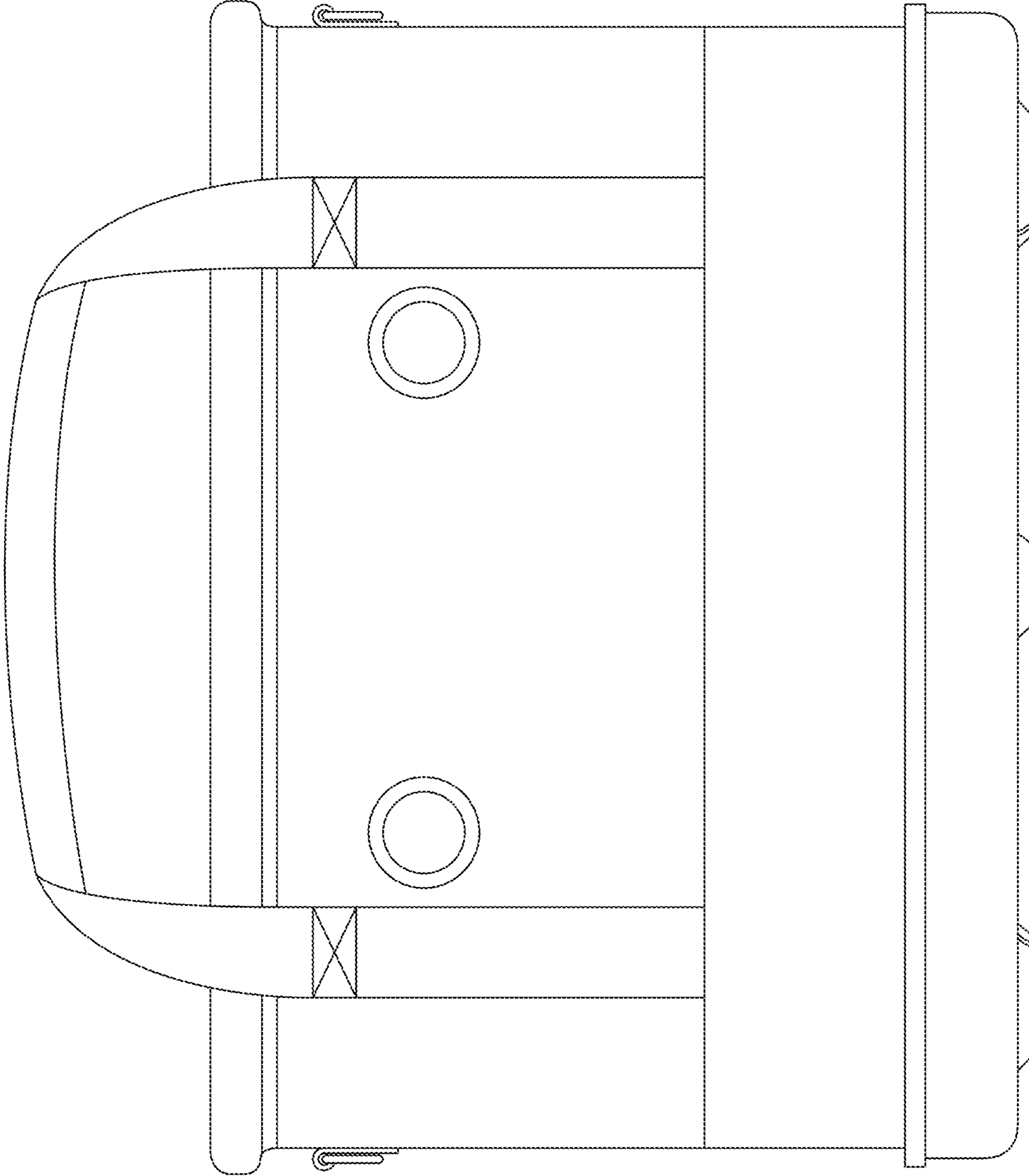


FIG. 10

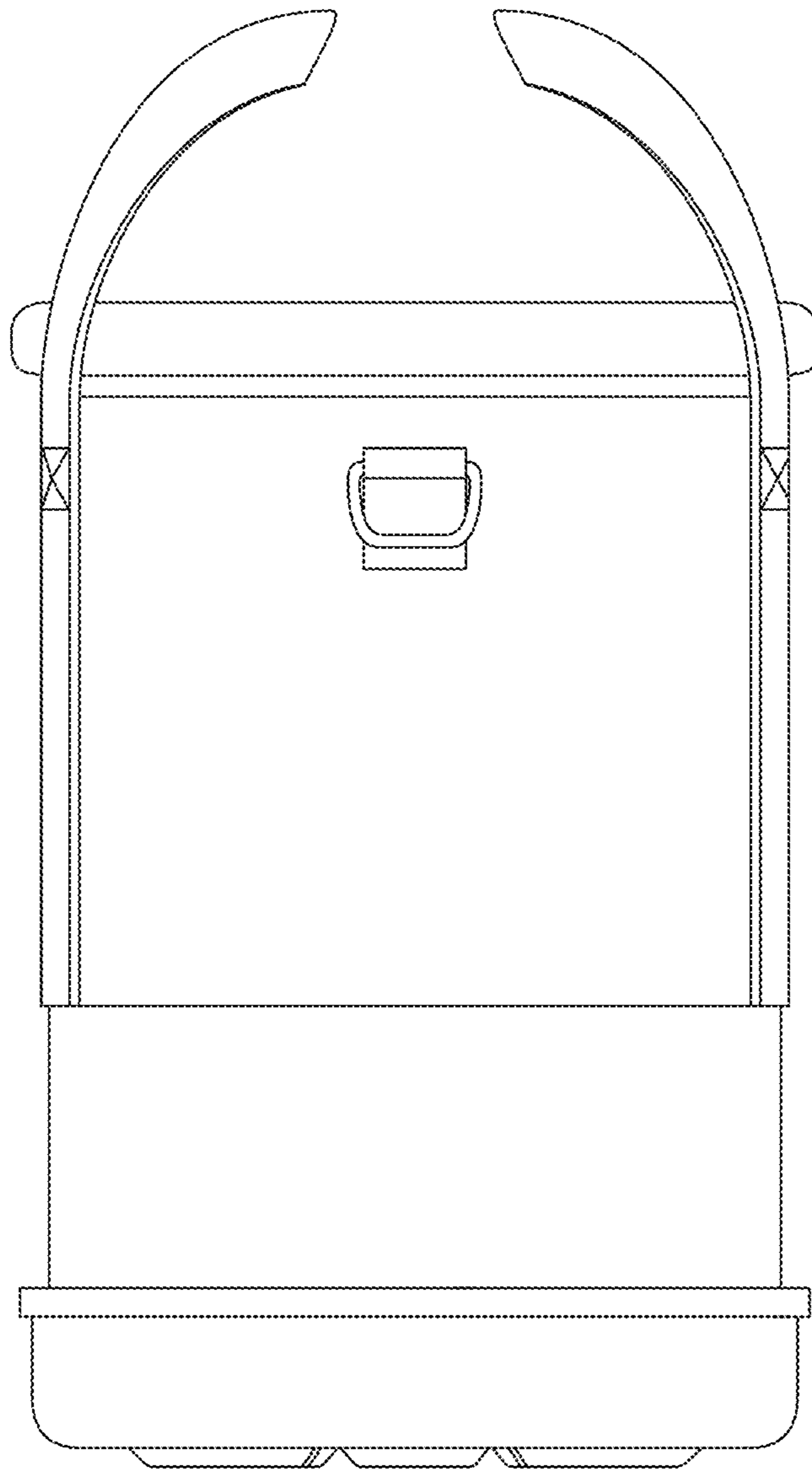


FIG. 11

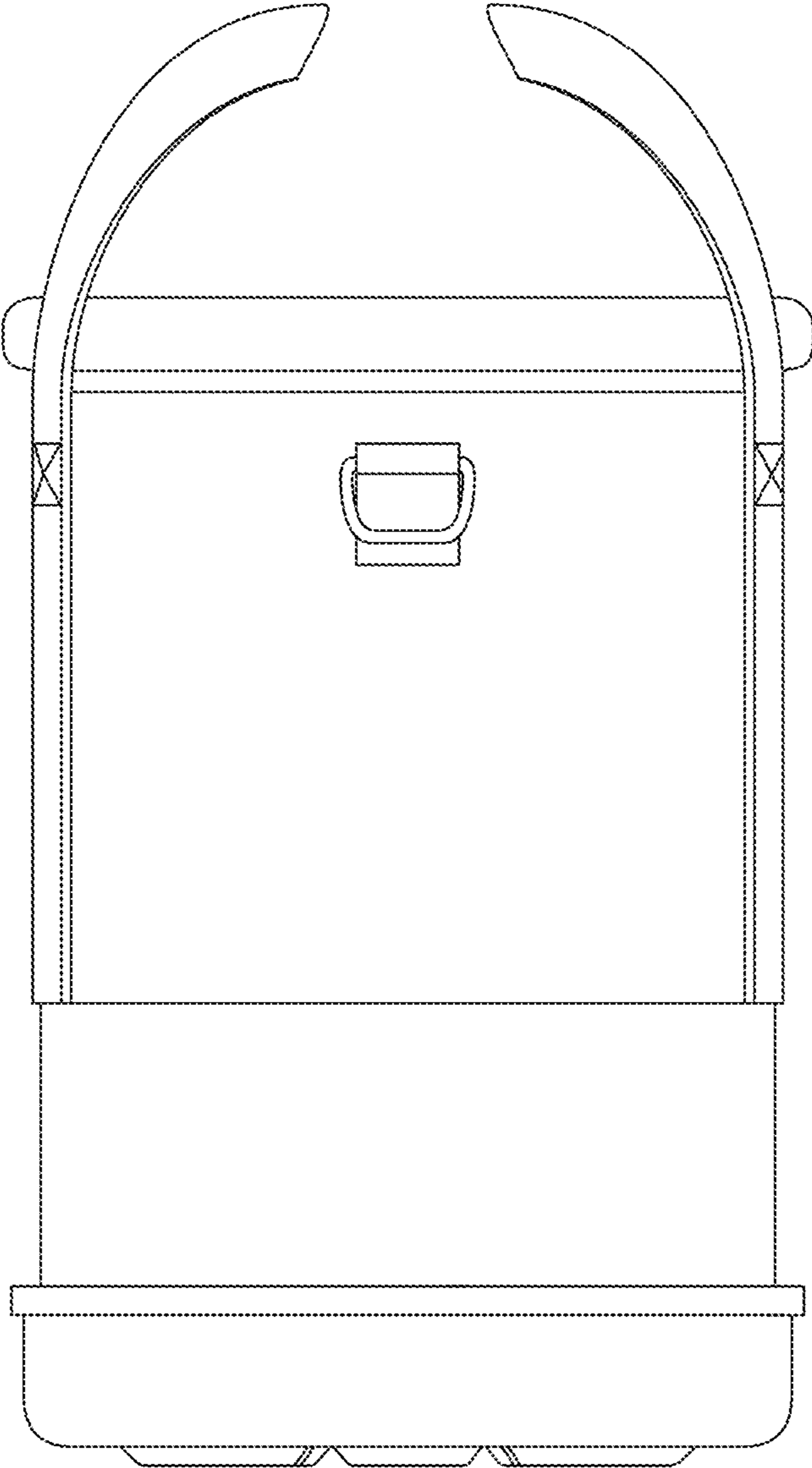


FIG. 12

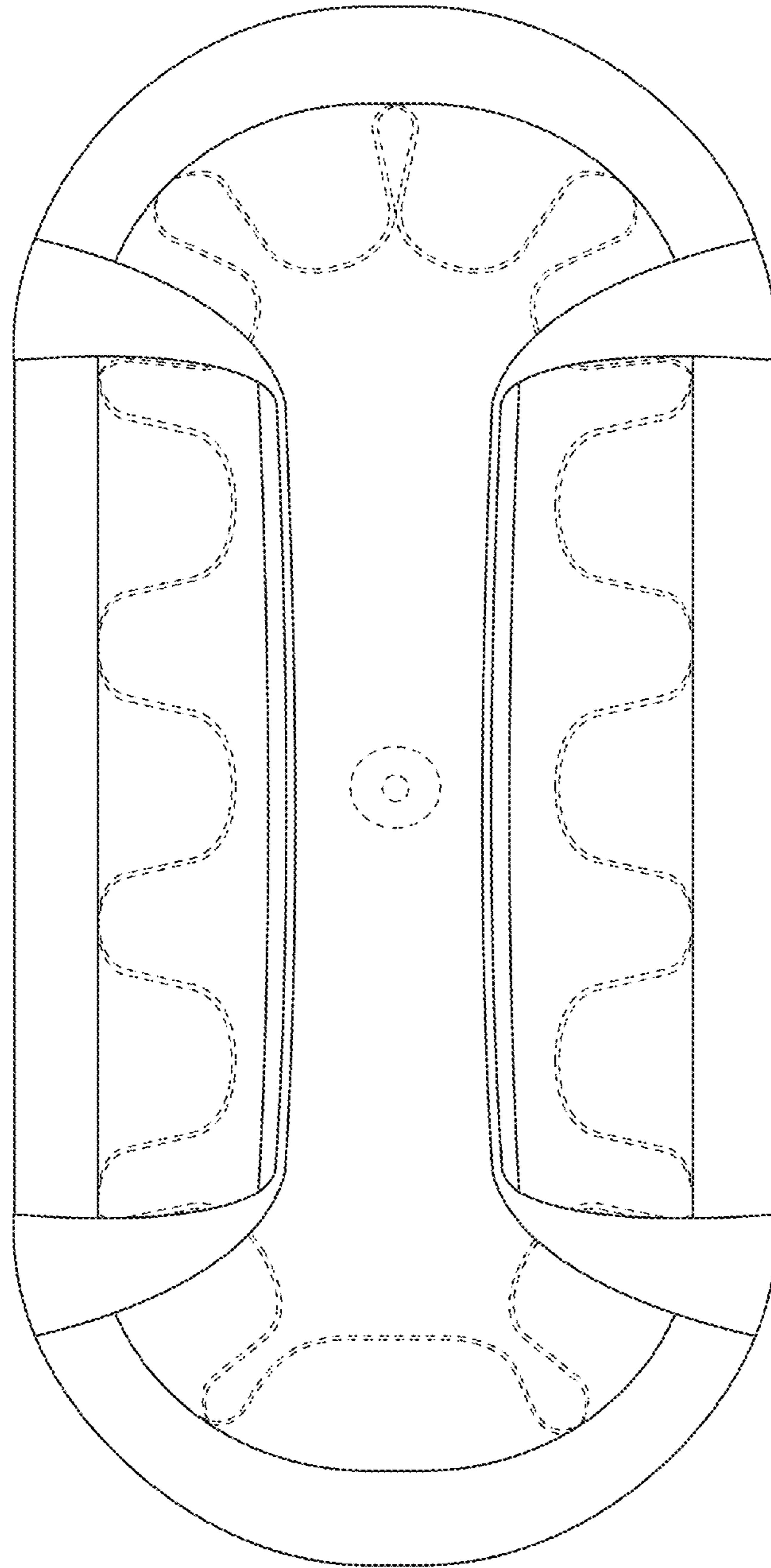


FIG. 13

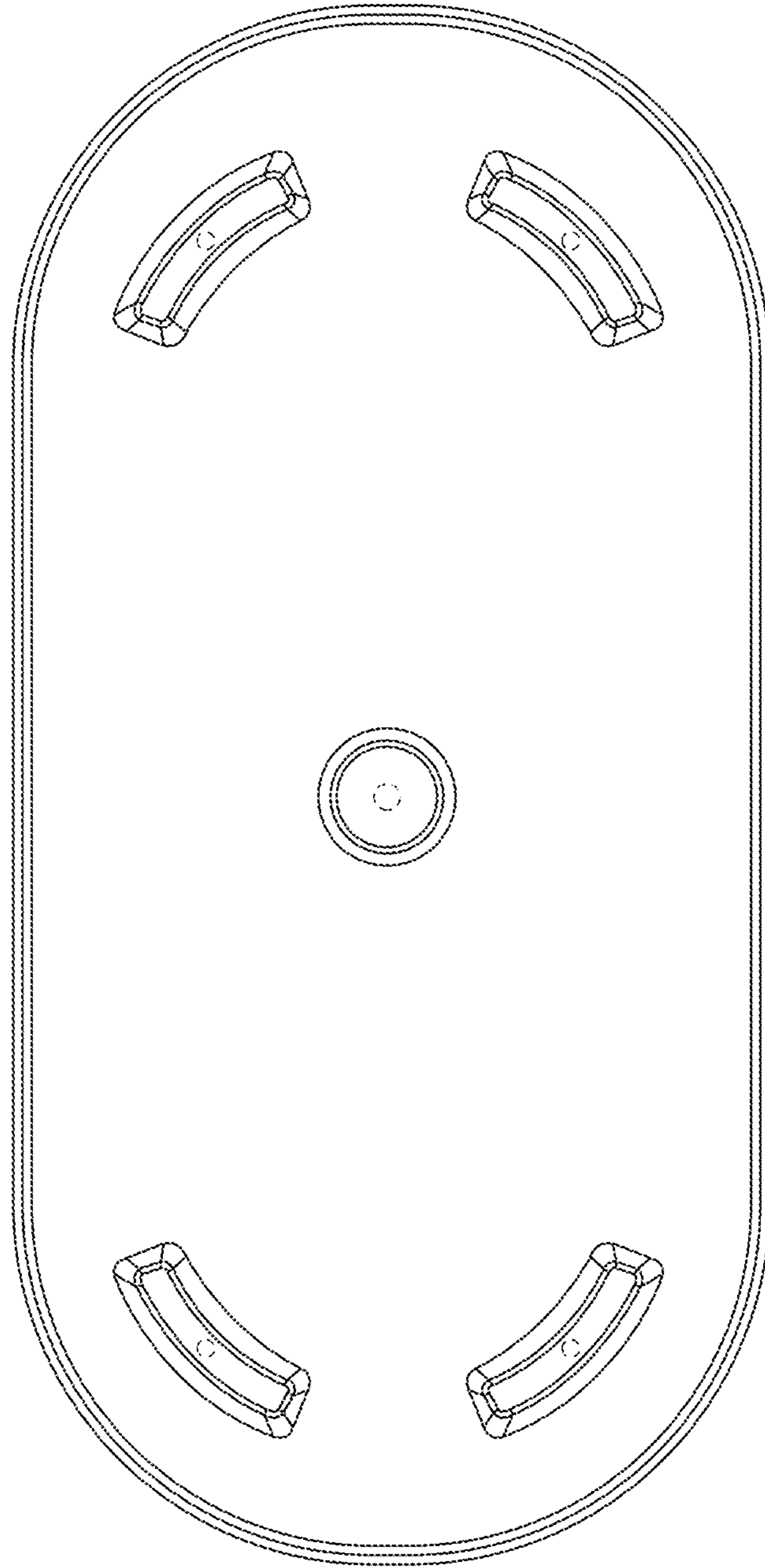


FIG. 14