



US00D952341S

(12) **United States Design Patent** (10) **Patent No.:** **US D952,341 S**  
**Cheng** (45) **Date of Patent:** **\*\* May 24, 2022**

(54) **COSMETIC BOX**  
(71) Applicant: **Bo Cheng**, Nanchang (CN)  
(72) Inventor: **Bo Cheng**, Nanchang (CN)  
(\*\*) Term: **15 Years**  
(21) Appl. No.: **29/787,739**  
(22) Filed: **Jun. 8, 2021**  
(51) **LOC (13) Cl.** ..... **03-01**  
(52) **U.S. Cl.**  
USPC ..... **D3/294**  
(58) **Field of Classification Search**  
USPC ..... D3/207, 208, 209, 210, 211, 212, 271.6,  
D3/294, 295, 299, 302, 303, 901, 903,  
D3/905  
CPC .... A45C 11/24; A45C 11/38; A45C 2011/001  
See application file for complete search history.

D723,794 S \* 3/2015 Lai ..... D3/205  
D837,520 S 1/2019 Shewmaker  
D838,479 S \* 1/2019 Felsenthal ..... D3/294  
D917,882 S 5/2021 Nguyen

**FOREIGN PATENT DOCUMENTS**

CN 303459749 \* 11/2015

**OTHER PUBLICATIONS**

MDesign Organizer Box, announced Jan. 15, 2020 [online], [site visited Mar. 24, 2022]. Available from internet, URL: <https://www.amazon.ca/mDesign-Bathroom-Countertop-Dust-Free-Organizer/dp/B082XKYTV8/?th=1> (Year: 2020).\*

\* cited by examiner

*Primary Examiner* — Kevin K Rudzinski  
*Assistant Examiner* — Amber J Rabie

(56) **References Cited**

**U.S. PATENT DOCUMENTS**

D161,771 S \* 1/1951 Lumley ..... 220/4.01  
3,025,829 A \* 3/1962 Frederick ..... A47K 10/32  
118/235  
4,266,835 A \* 5/1981 Schmidt ..... B25H 3/02  
D3/905  
4,389,077 A \* 6/1983 Schmidt ..... B25H 3/02  
312/244  
5,456,358 A \* 10/1995 Schmidt ..... B25H 3/02  
206/374  
D397,826 S \* 9/1998 McDiarmid ..... D27/189  
D474,600 S \* 5/2003 Lewis ..... D3/298  
D633,719 S \* 3/2011 Koehn ..... D3/318  
D644,839 S \* 9/2011 Pitts ..... D3/295  
D672,164 S \* 12/2012 Christopher ..... B25H 3/02  
D6/667  
D718,052 S \* 11/2014 Costanzo ..... A47K 10/32  
D3/297

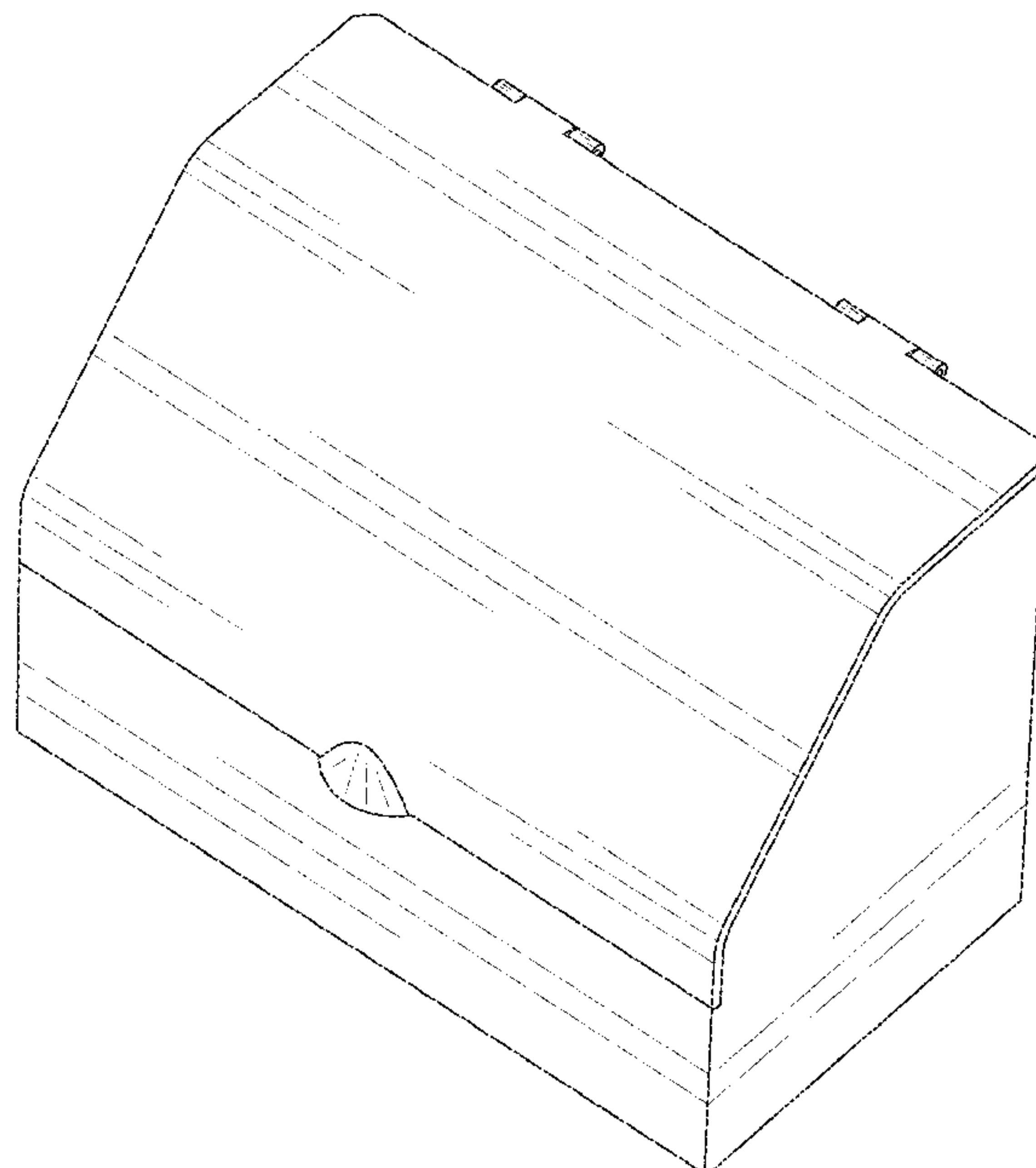
(57) **CLAIM**

The ornamental design for a cosmetic box, as shown and described.

**DESCRIPTION**

FIG. 1 is a front, top, and right side perspective view of a cosmetic box, showing my new design;  
FIG. 2 is a rear, bottom, and left side perspective view thereof;  
FIG. 3 is a front elevation view thereof;  
FIG. 4 is a rear elevation view thereof;  
FIG. 5 is a left side elevation view thereof;  
FIG. 6 is a right side elevation view thereof;  
FIG. 7 is a top plan view thereof; and,  
FIG. 8 is a bottom plan view thereof.

**1 Claim, 8 Drawing Sheets**



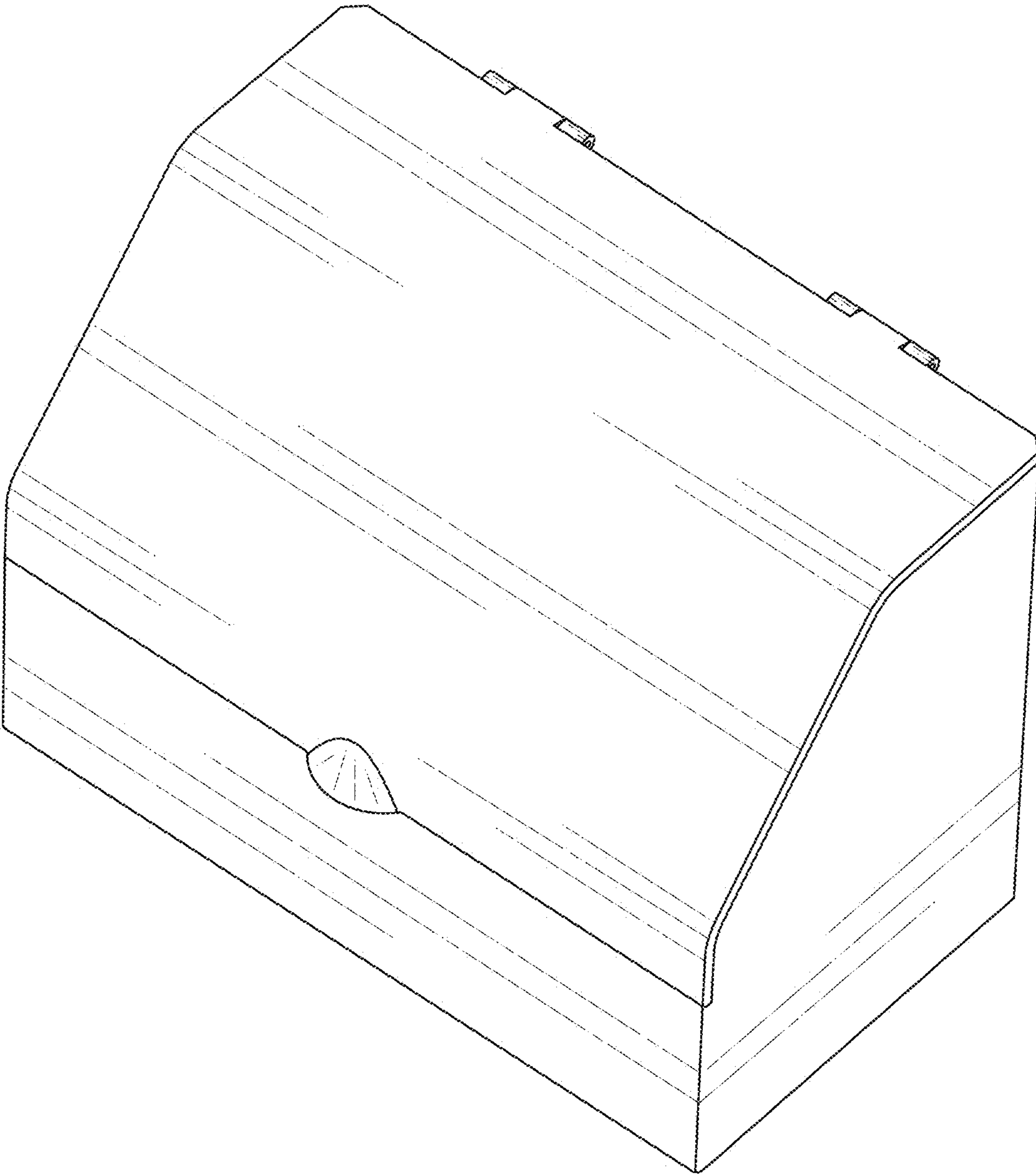


FIG. 1

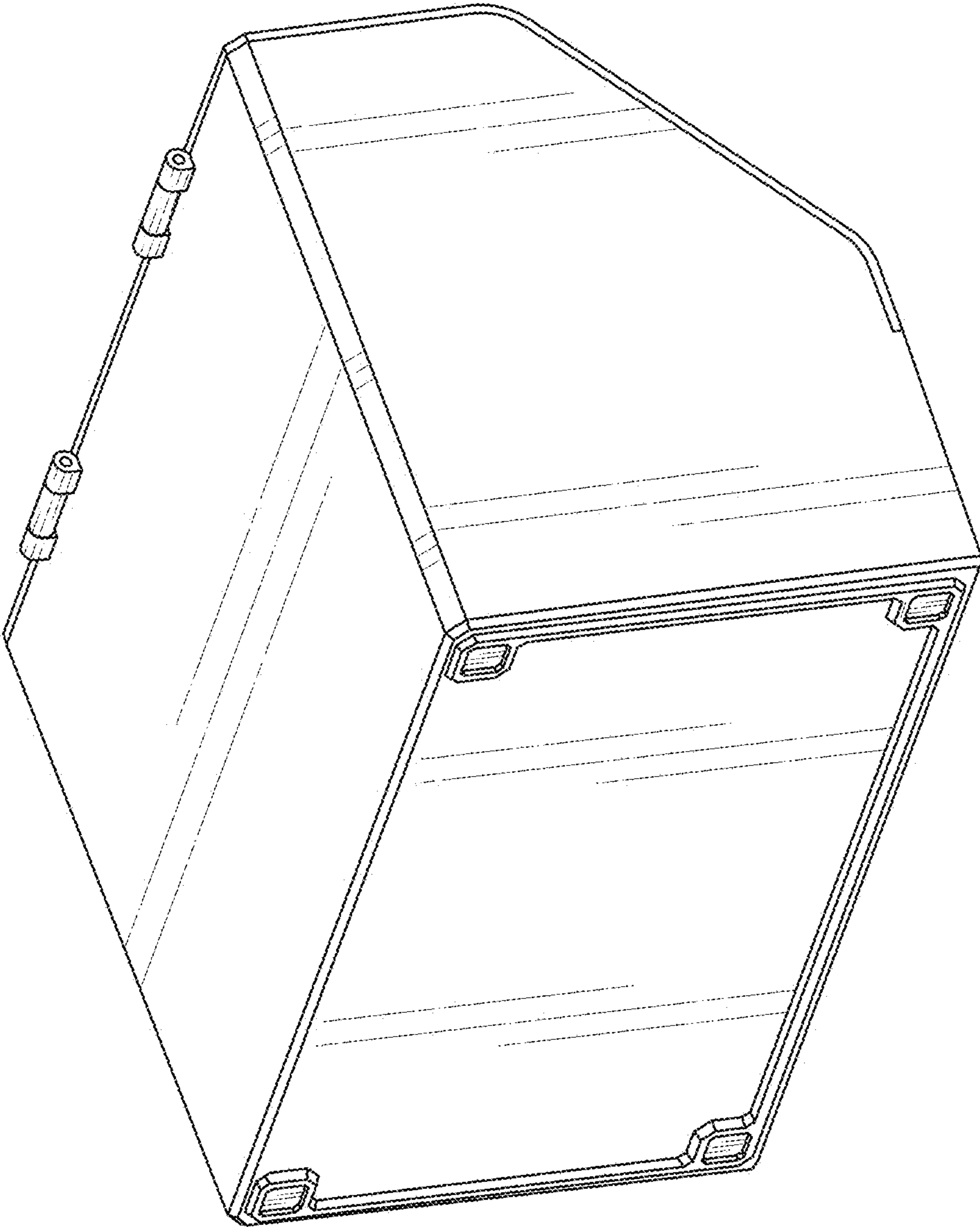


FIG.2

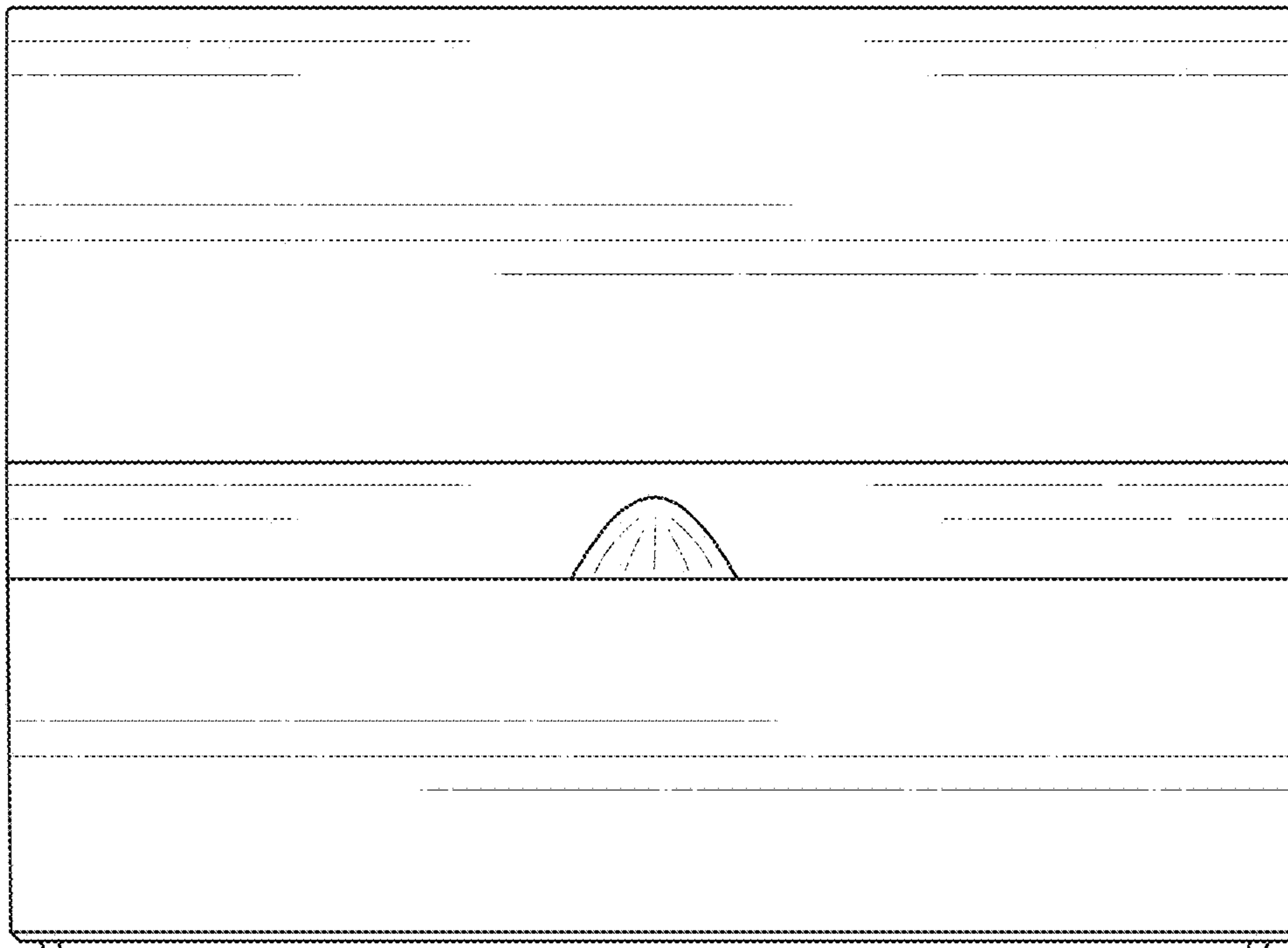


FIG.3

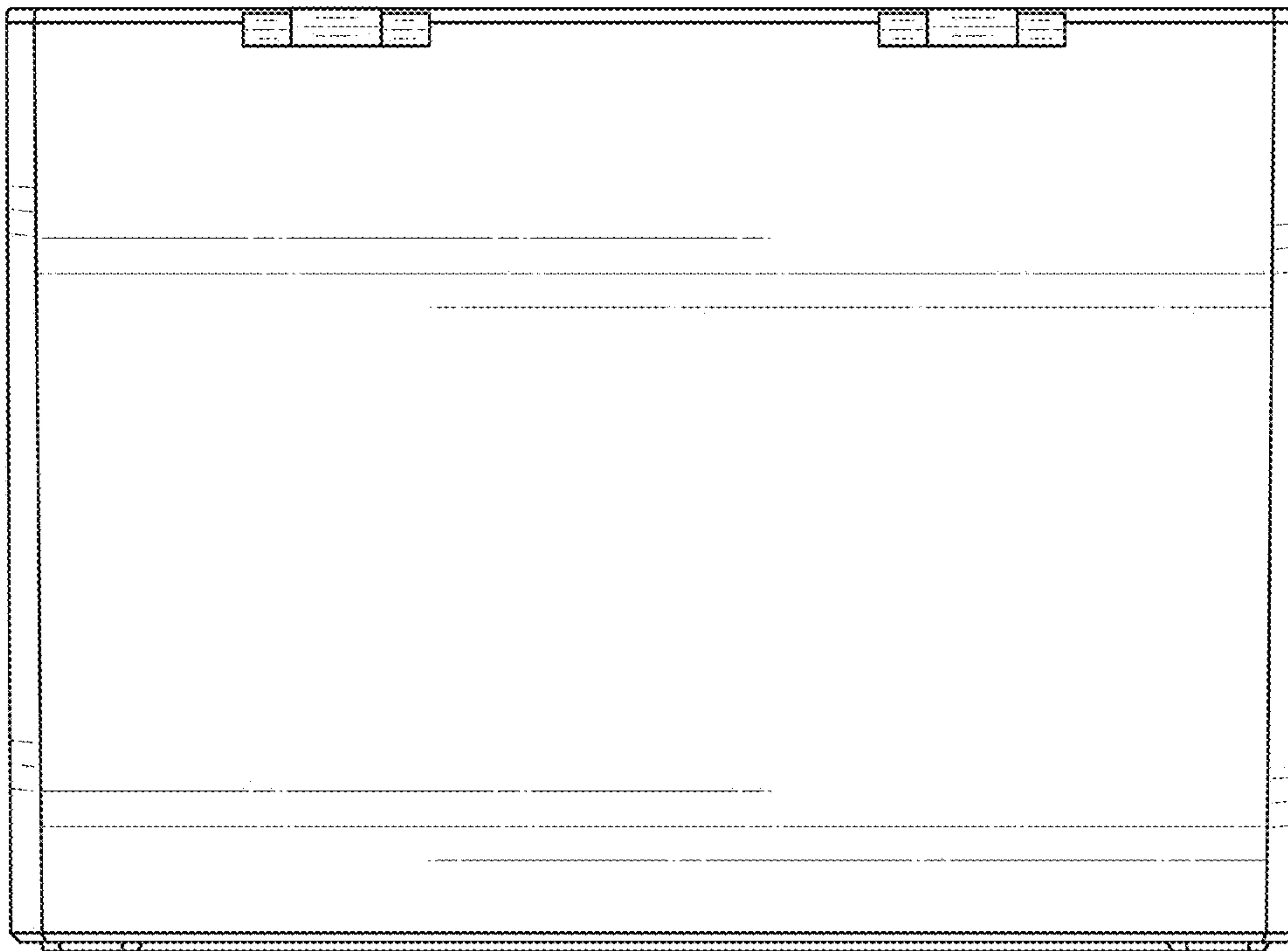


FIG.4

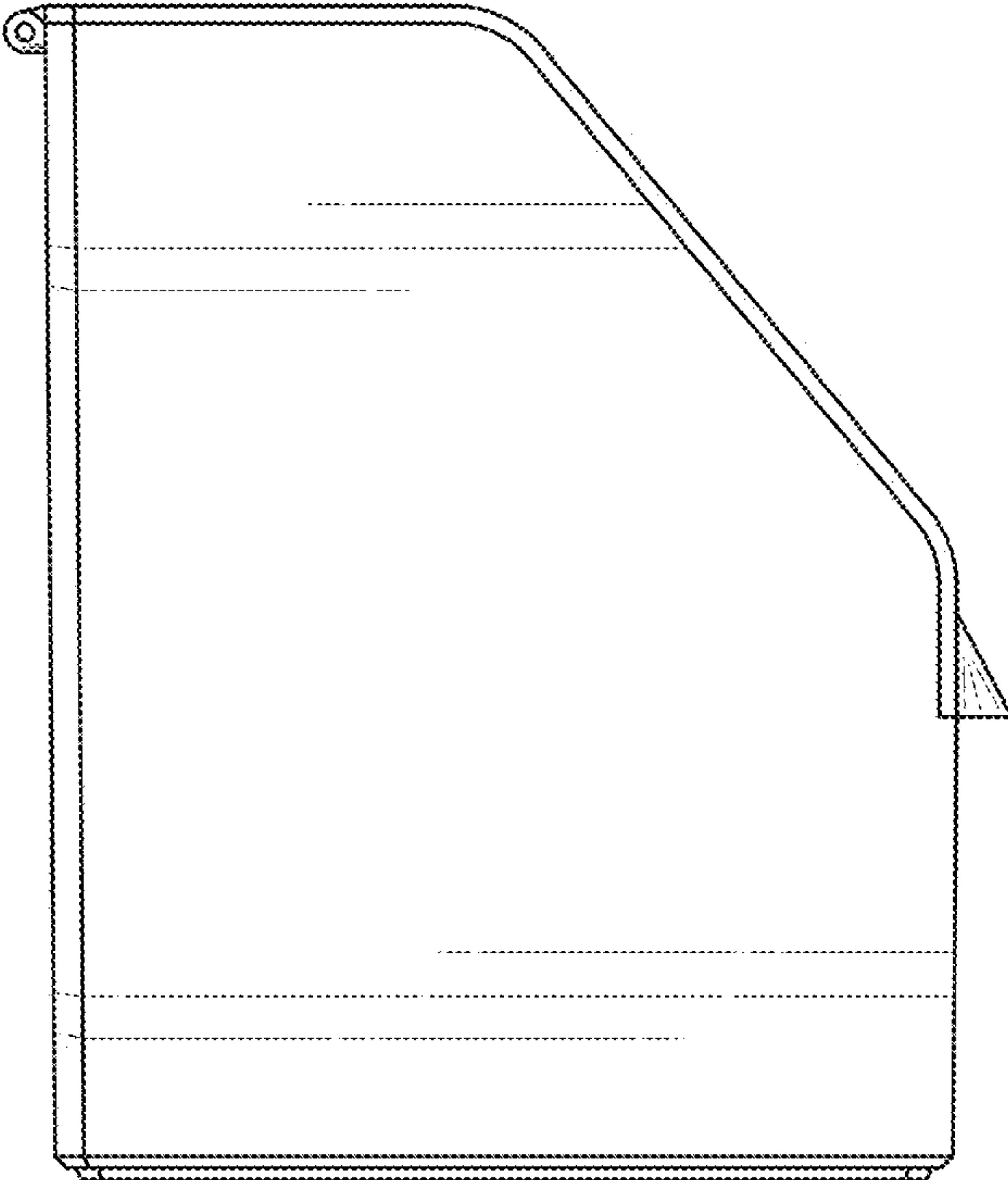


FIG.5

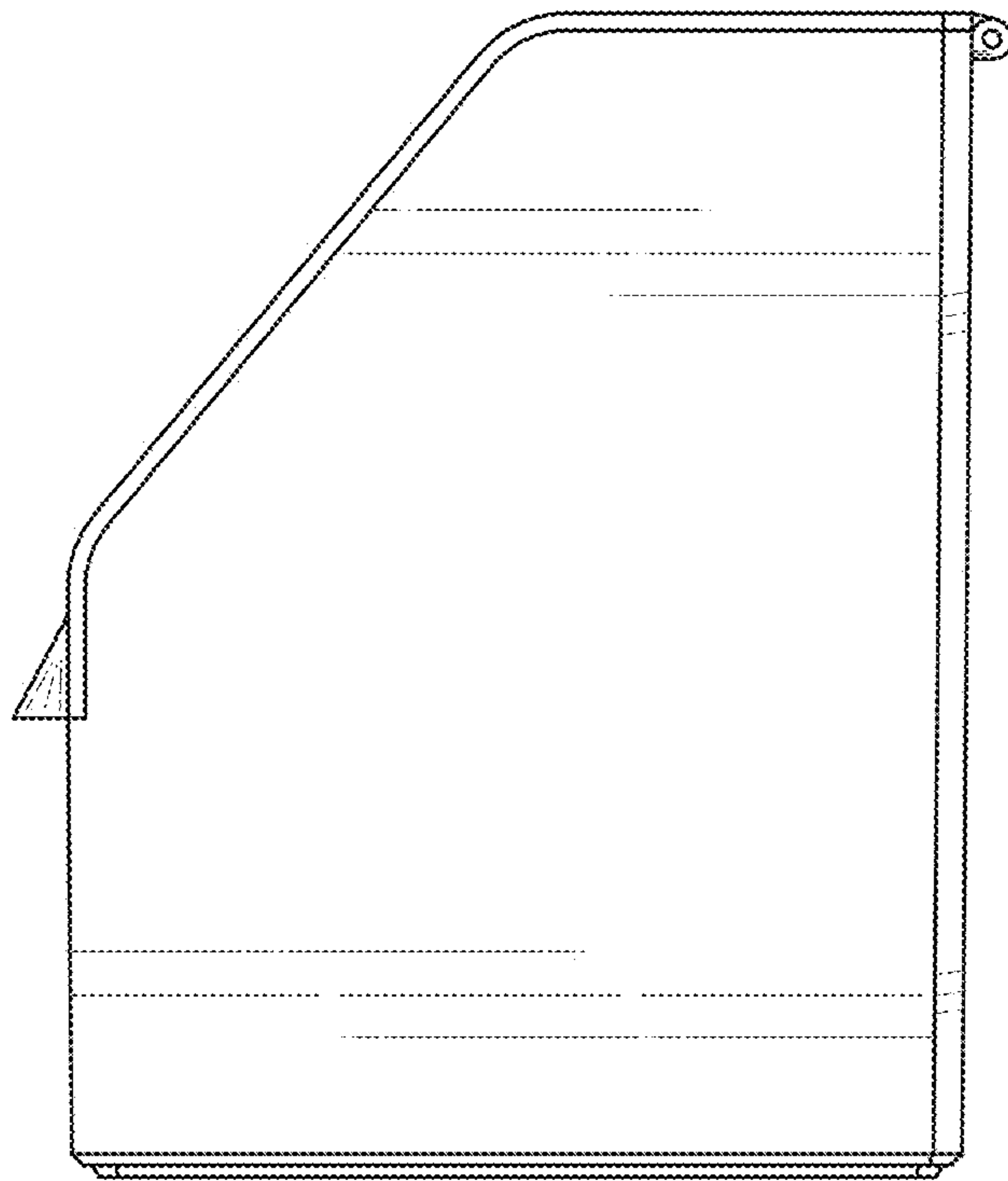


FIG.6



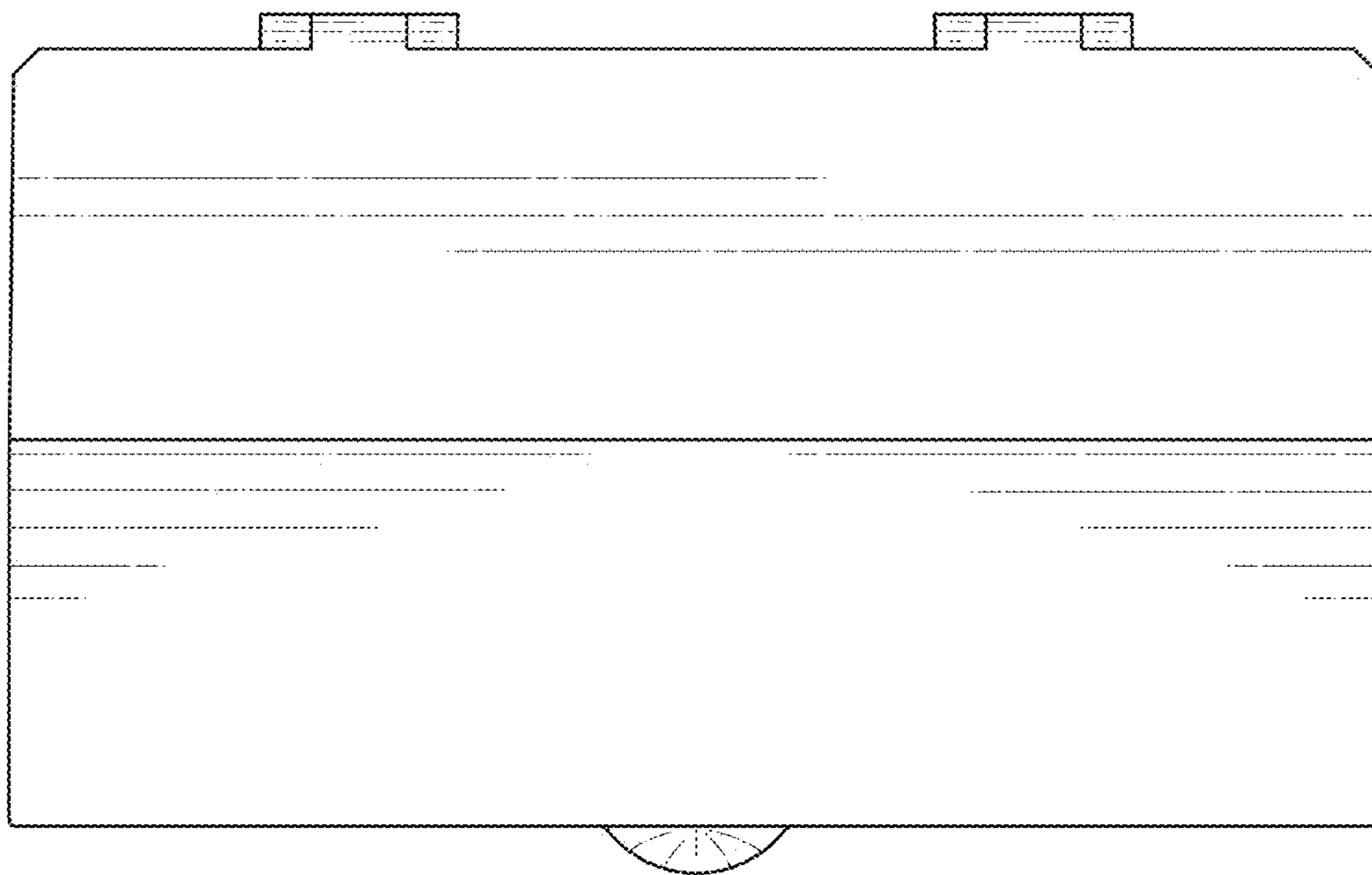


FIG.7



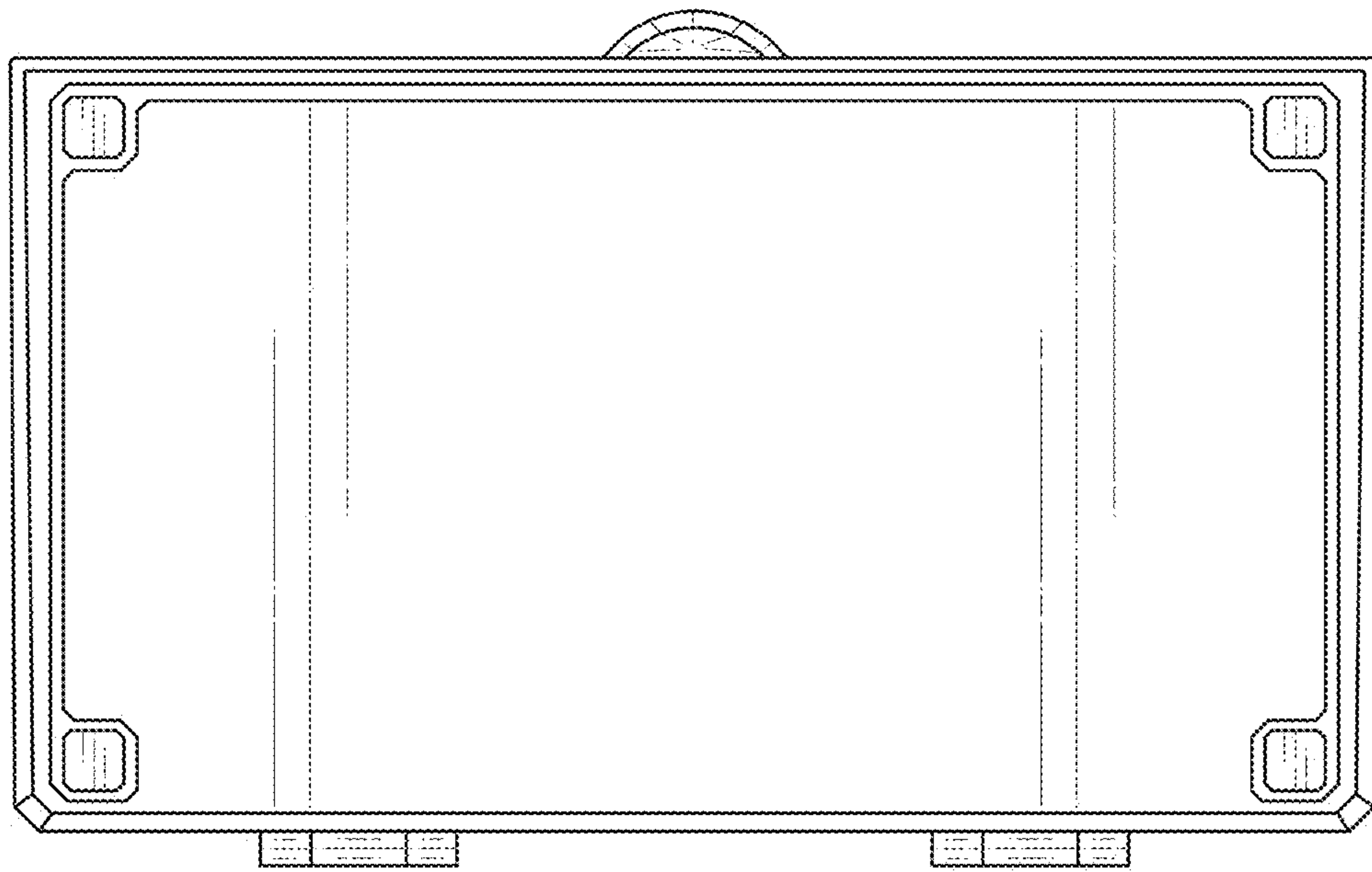


FIG.8