



US00D952340S

(12) **United States Design Patent** (10) **Patent No.:** **US D952,340 S**
Lacerda Braga (45) **Date of Patent:** **** May 24, 2022**

(54) **SUITCASE WITH CHILD SEAT**

(71) Applicant: **Rafael Lion Lacerda Braga**, Broken Arrow, OK (US)

(72) Inventor: **Rafael Lion Lacerda Braga**, Broken Arrow, OK (US)

(**) Term: **15 Years**

(21) Appl. No.: **29/737,553**

(22) Filed: **Jun. 10, 2020**

(51) **LOC (13) Cl.** **03-01**

(52) **U.S. Cl.**
USPC **D3/279**

(58) **Field of Classification Search**
USPC D3/279, 902, 201, 213, 271.11, 271.12, D3/271.7, 272, 273, 274, 276, 289, 293, D3/294, 295, 305, 318, 328; D6/336, D6/339
CPC A45C 9/00; A45C 15/00; A47D 13/025
See application file for complete search history.

(56) **References Cited**

U.S. PATENT DOCUMENTS

3,557,916	A *	1/1971	Stowell	A47B 3/10
					190/11
D459,883	S *	7/2002	Worrell	A45C 9/00
					D3/274
7,097,017	B1 *	8/2006	LaCrosse	A45C 5/146
					190/18 A
7,901,018	B2 *	3/2011	Baughman	A47B 43/00
					312/240

(Continued)

FOREIGN PATENT DOCUMENTS

CN	202481113	10/2012
CN	303333414	* 8/2015

(Continued)

OTHER PUBLICATIONS

Youtube: Modobag: World's First Motorized, Rideable Luggage!, Posted by Modobag on Jul. 21, 2016: <https://www.youtube.com/watch?v=HazWCa3huMY> (Year: 2016).*

(Continued)

Primary Examiner — Brett Miller

Assistant Examiner — Jessica M Gebhart

(74) *Attorney, Agent, or Firm* — Dennis D. Brown; Brown Patent Law, P.L.L.C.

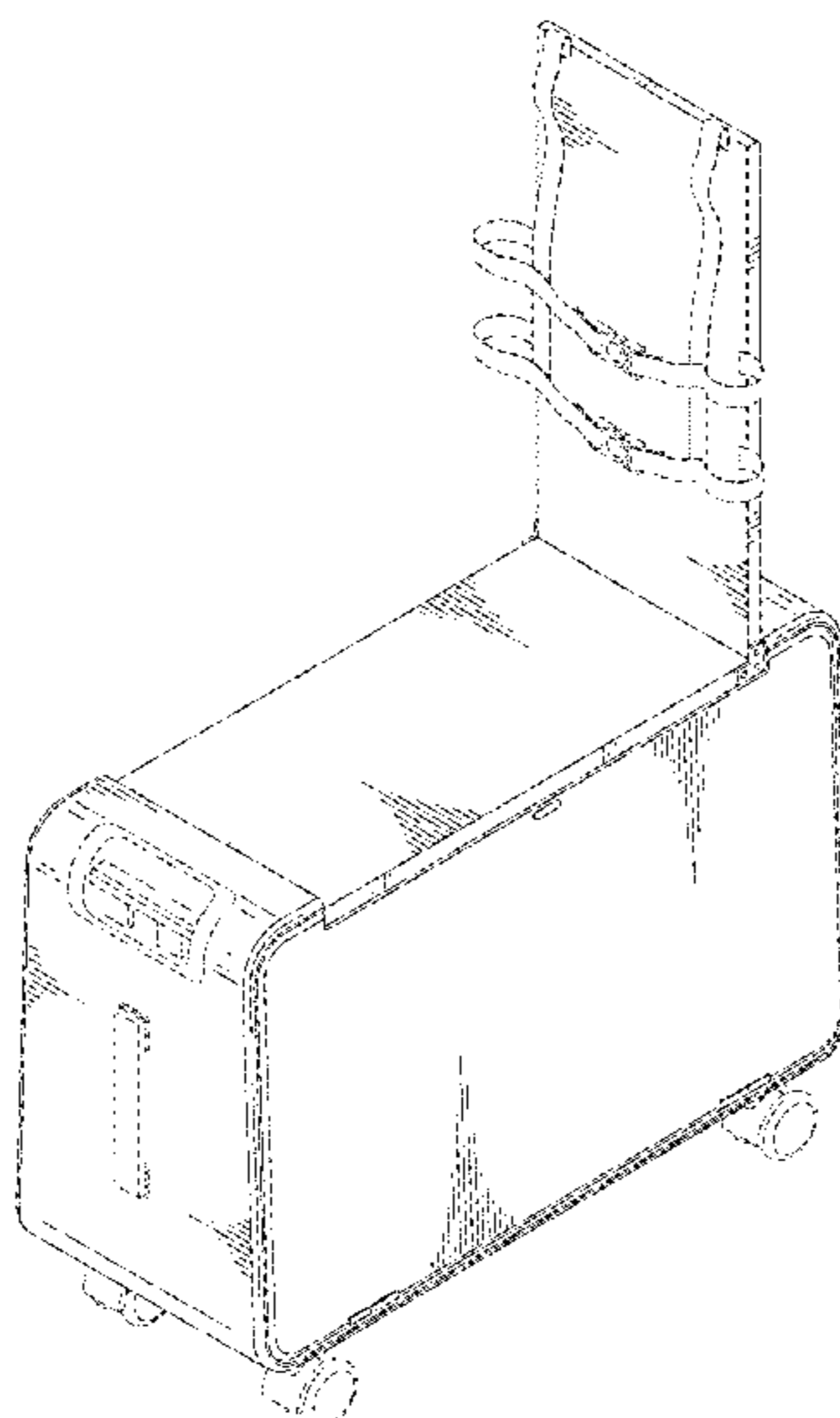
(57) **CLAIM**

I claim the ornamental design for a suitcase with child seat, as shown and described.

DESCRIPTION

FIG. 1 is a perspective view of a suitcase with child seat, showing my new design.
 FIG. 2 is top view thereof.
 FIG. 3 is a bottom view thereof.
 FIG. 4 is a front elevational view thereof.
 FIG. 5 is a rear elevational view thereof.
 FIG. 6 is a left end elevational view thereof.
 FIG. 7 is a right end elevational view thereof.
 FIG. 8 is a perspective view of a suitcase with child seat showing my new design in an environmental use.
 FIG. 9 is a perspective view of a suitcase with child seat, showing my new design with a seat back of the design in a down position.
 FIG. 10 is a front elevational view of a suitcase with child seat, showing my new design with the seat back in the down position; and,
 FIG. 11 is a rear elevational view of a suitcase with child seat, showing my new design with the seat back in the down position.
 The broken lines depict portions of the suitcase that form no part of the claimed design. The broken line showing of a child in FIG. 8 is for environmental purposes and forms no part of the claimed design.

1 Claim, 9 Drawing Sheets



(56)

References Cited

U.S. PATENT DOCUMENTS

8,182,030 B1 * 5/2012 Britten A47D 13/025
297/129

8,286,767 B2 10/2012 Malinowski

8,662,267 B1 3/2014 Hart et al.

D773,814 S * 12/2016 Barenbrug D3/289

9,642,424 B1 * 5/2017 Holmes A45C 9/00

10,555,588 B2 * 2/2020 Guo B62B 9/24

2004/0021353 A1 * 2/2004 Lozano A47D 1/10
297/255

2004/0066069 A1 * 4/2004 Caldana B62B 5/082
297/250.1

2004/0251717 A1 * 12/2004 Tamura A47C 4/52
297/17

2009/0289480 A1 * 11/2009 McFarland A45C 13/262
297/255

2010/0072012 A1 * 3/2010 Malinowski B62B 7/12
190/8

2012/0161408 A1 * 6/2012 Sidhu A45C 5/14
280/47.38

2017/0143084 A1 * 5/2017 Ciraolo A45C 13/262

2019/0254399 A1 8/2019 Rajvansh et al.

FOREIGN PATENT DOCUMENTS

CN 303333415 * 8/2015

CN 205696232 11/2016

CN 108851423 11/2018

CN 208192446 12/2018

CN 107183883 8/2019

EP 2522244 11/2012

GB 2430612 4/2007

GB 2461770 1/2010

OTHER PUBLICATIONS

Youtube: Jetkids Bedbox: This suitcase for kids turns into a bed,
Posted by Insider on Nov. 1, 2016: <https://www.youtube.com/watch?v=ZJqe8z3-2sl> (Year: 2016).*

* cited by examiner

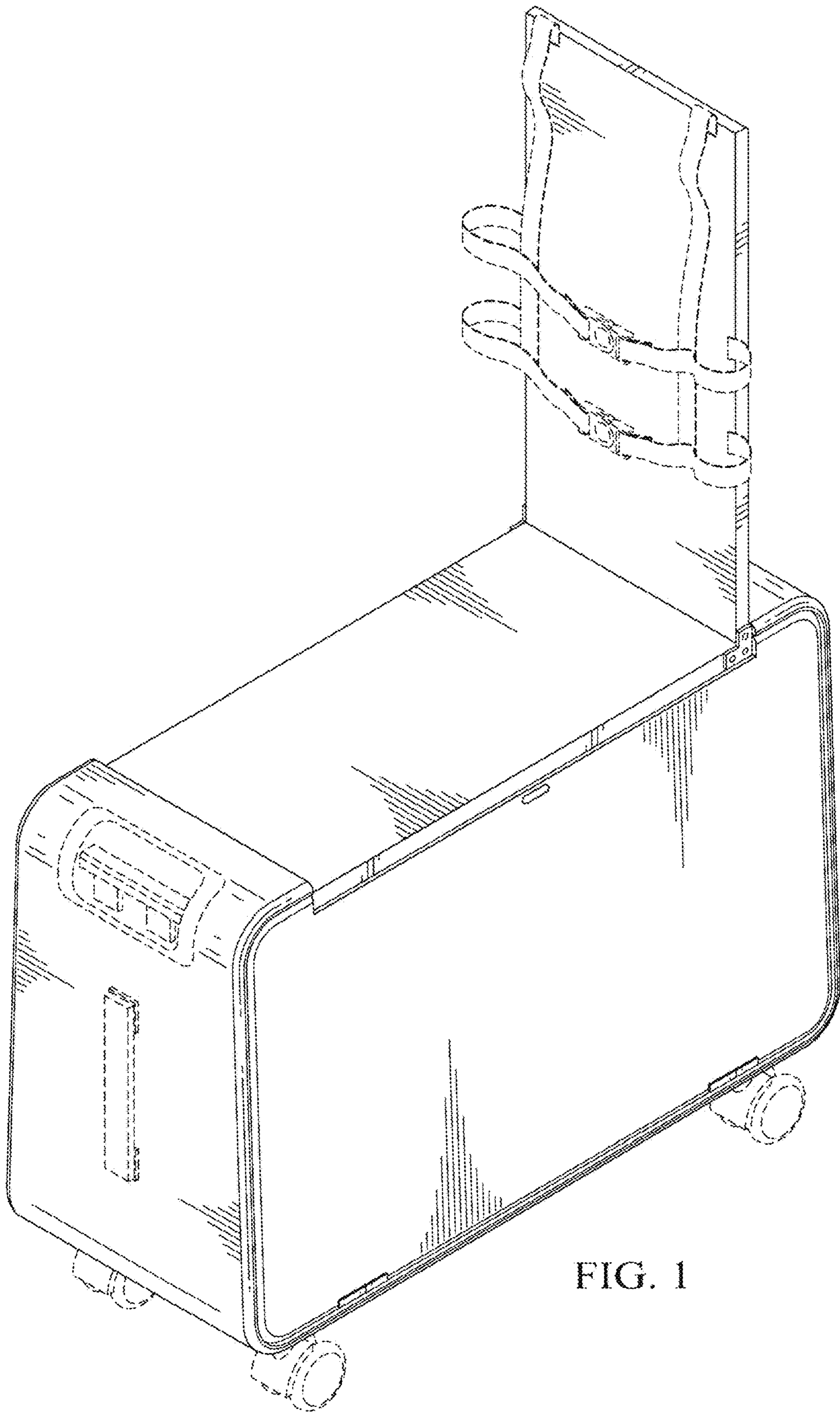


FIG. 1

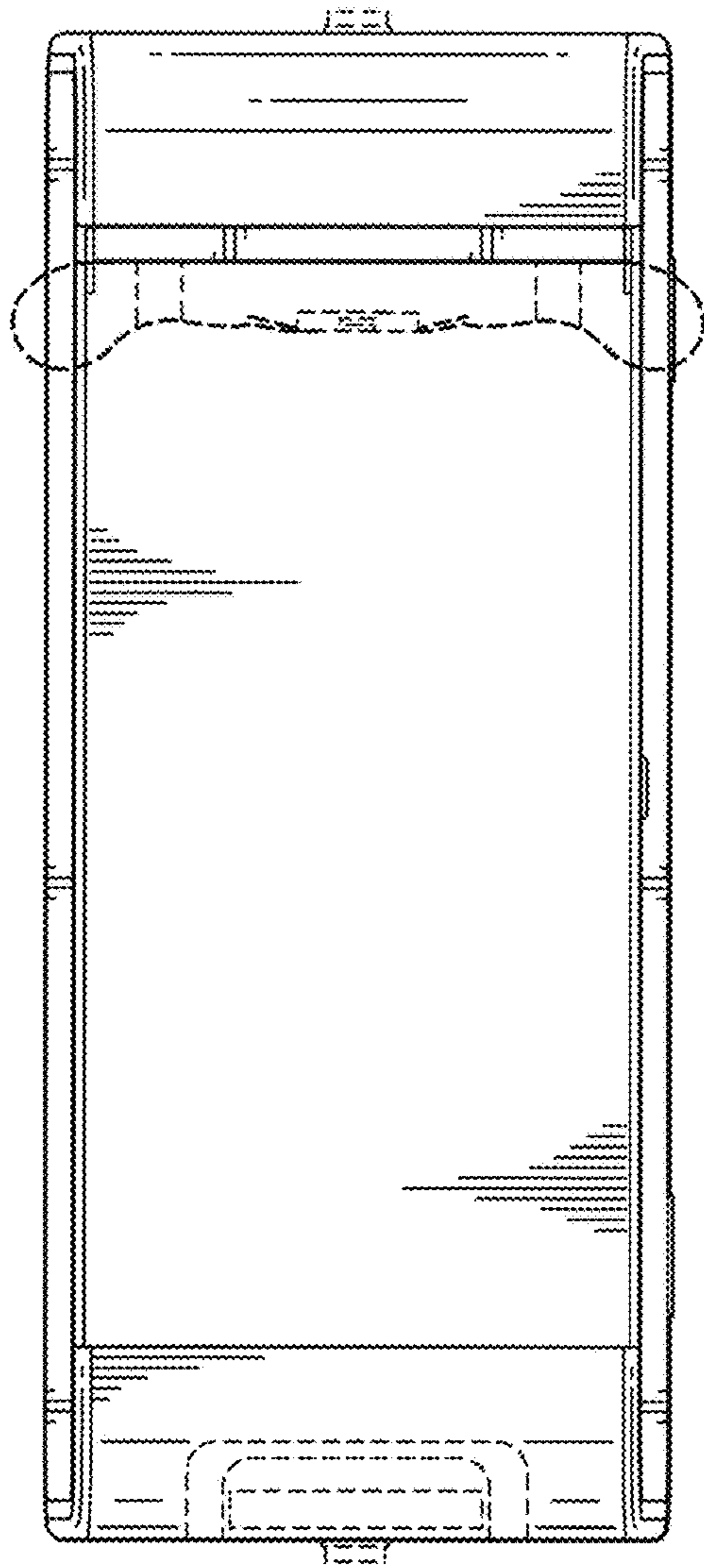


FIG. 2

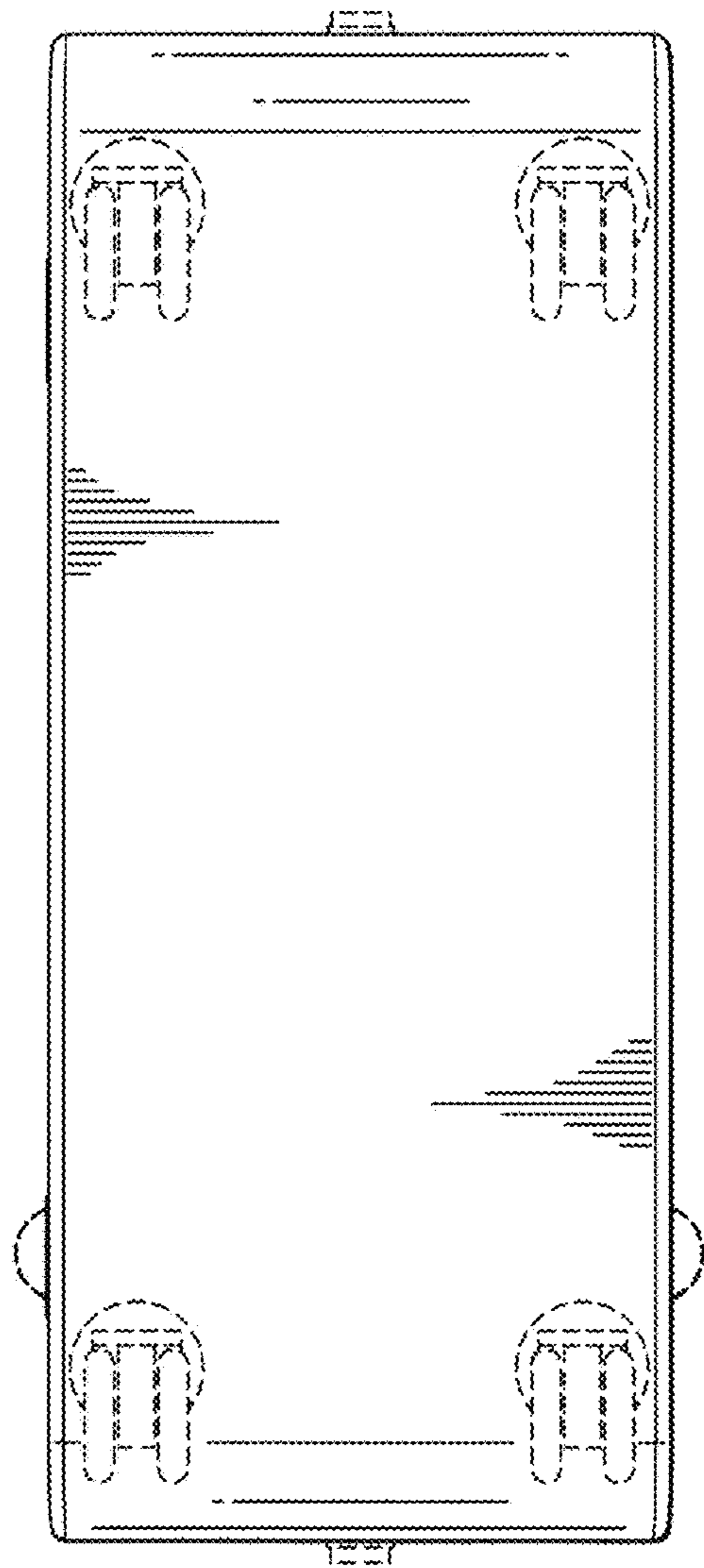


FIG. 3

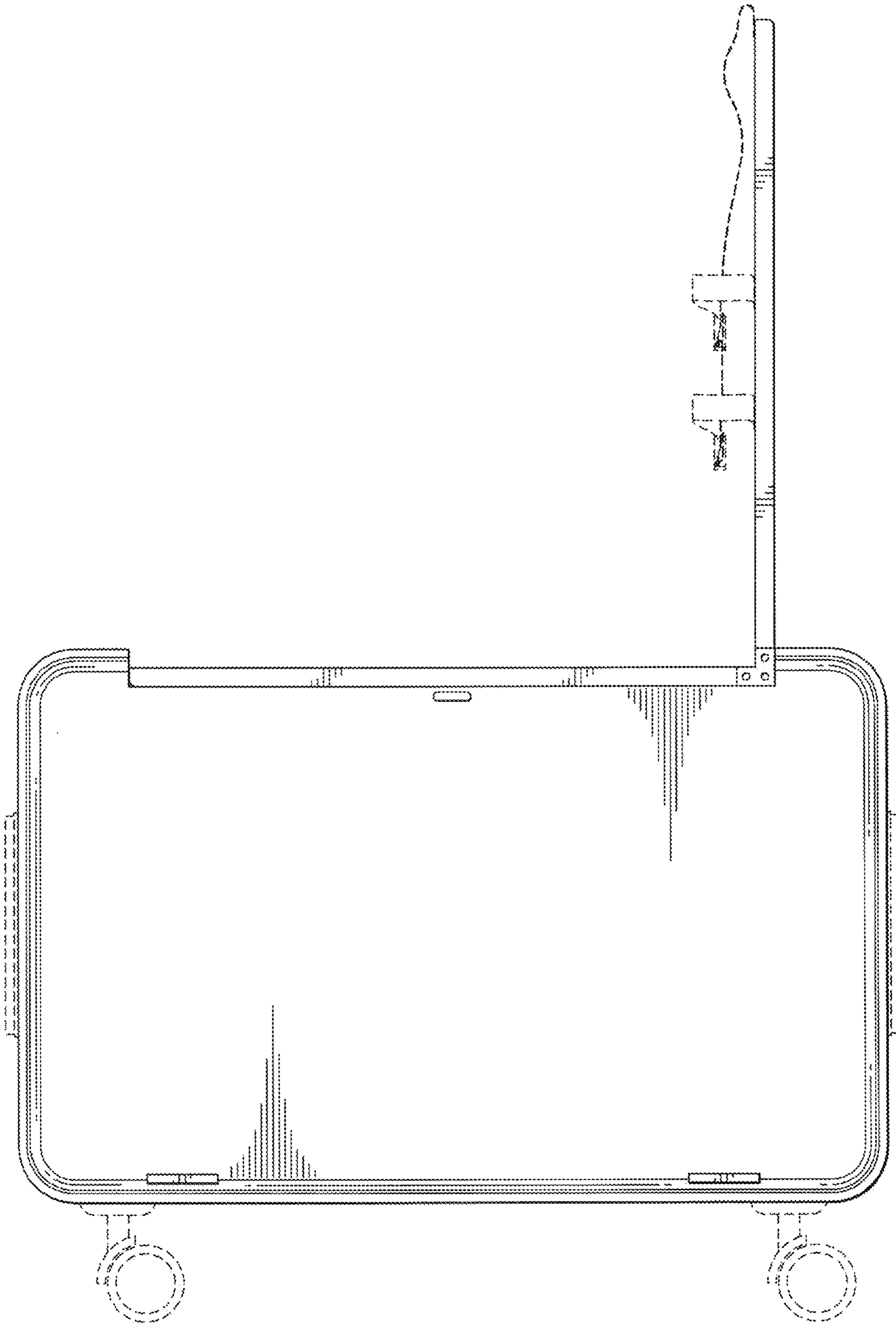


FIG. 4

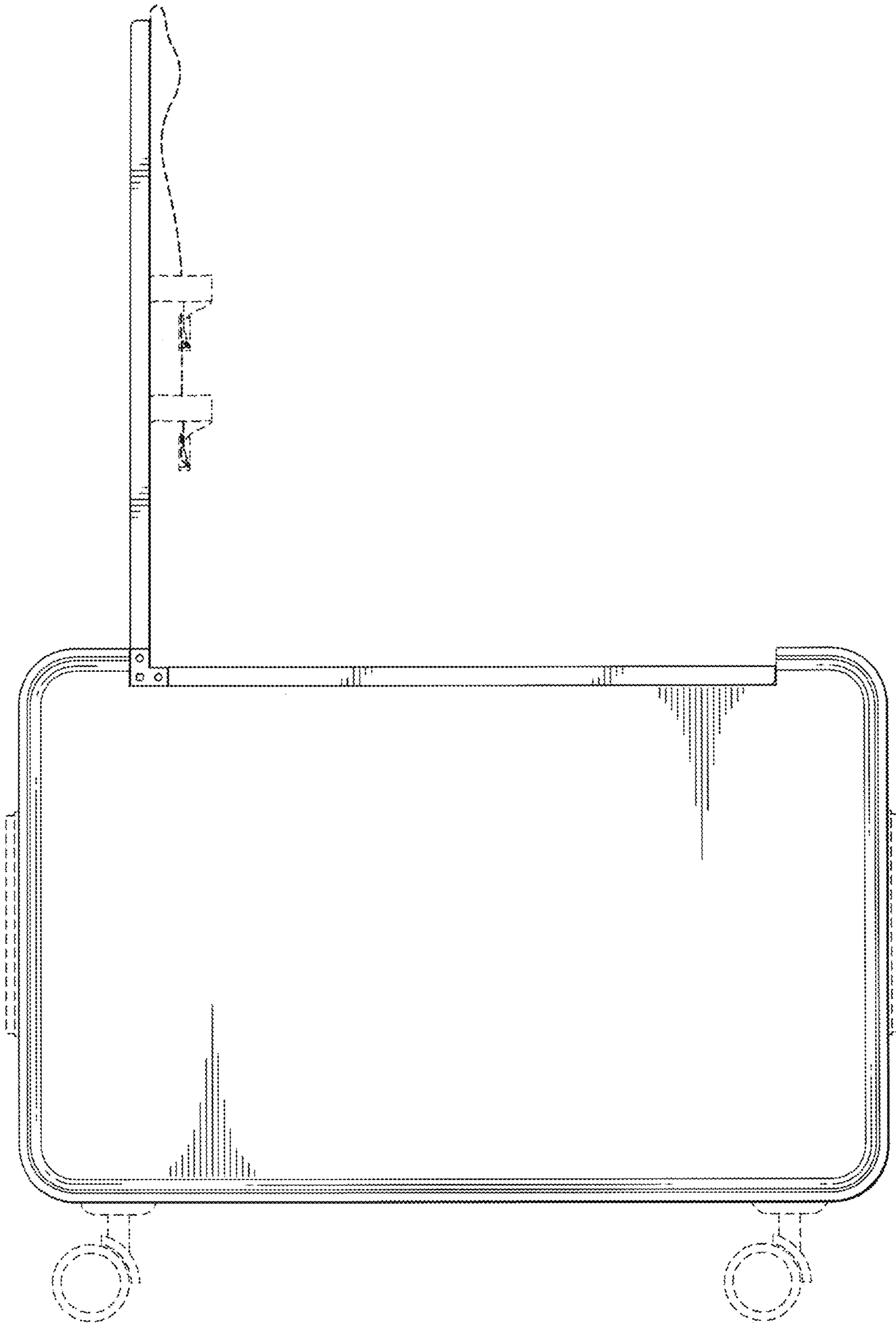


FIG. 5

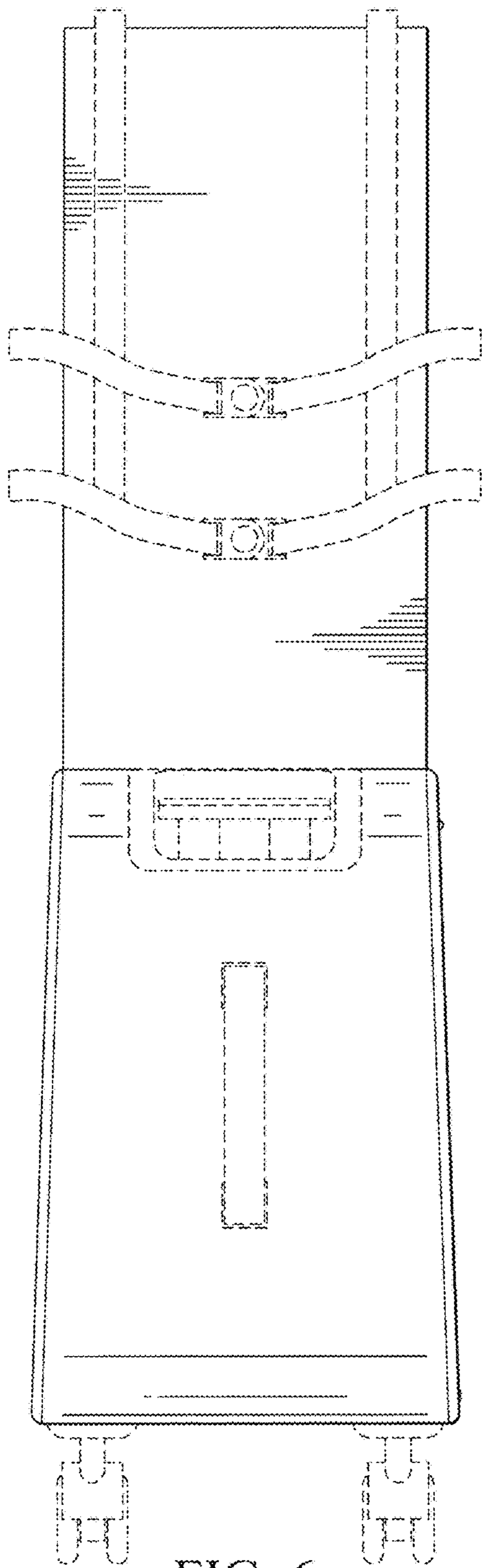


FIG. 6

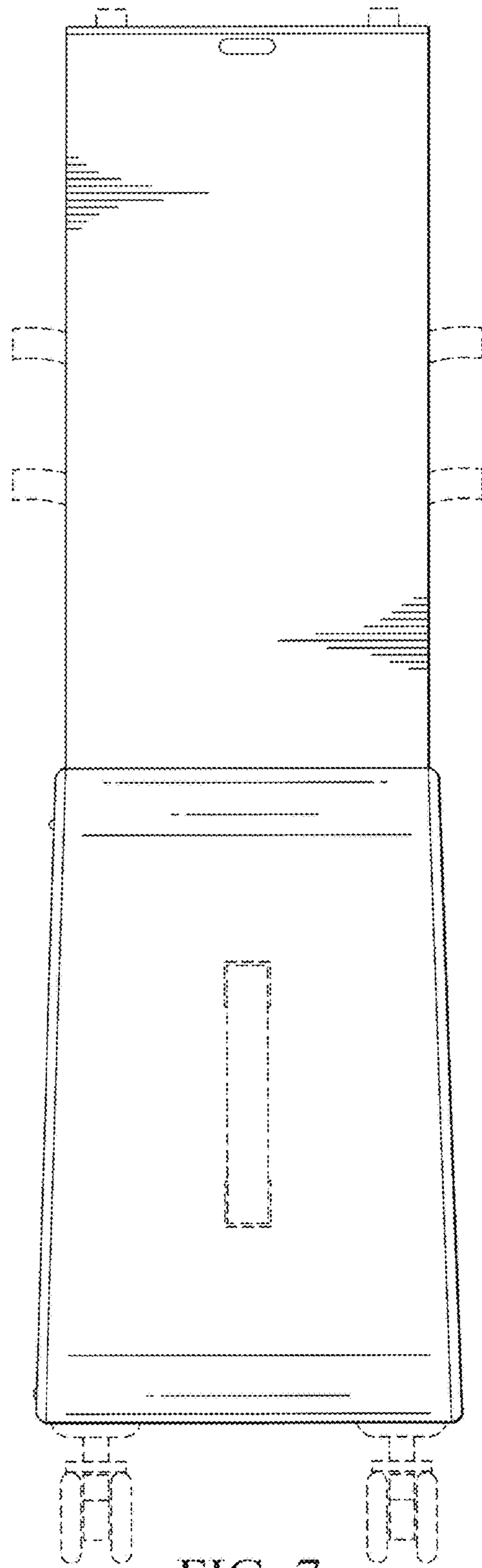


FIG. 7

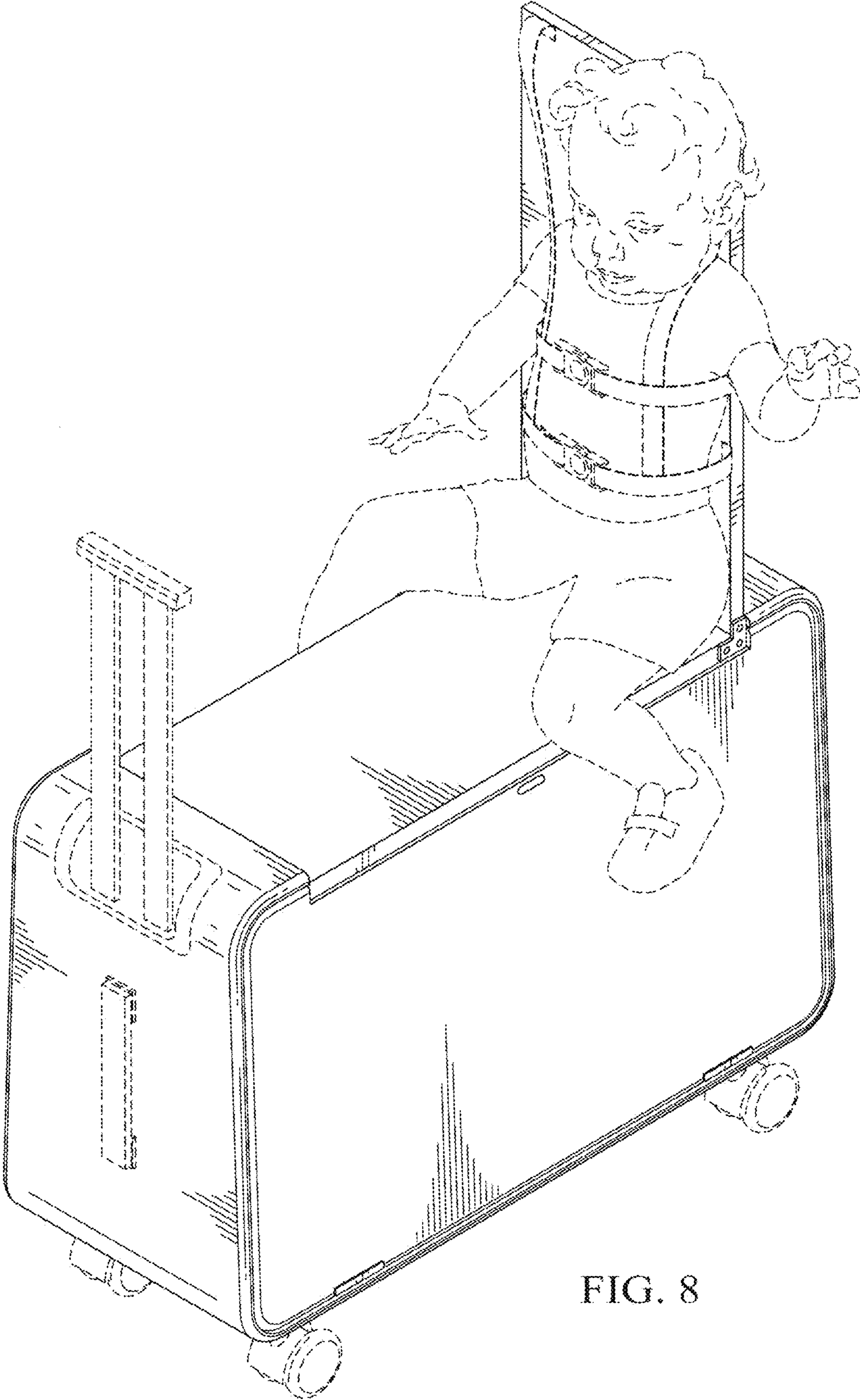


FIG. 8

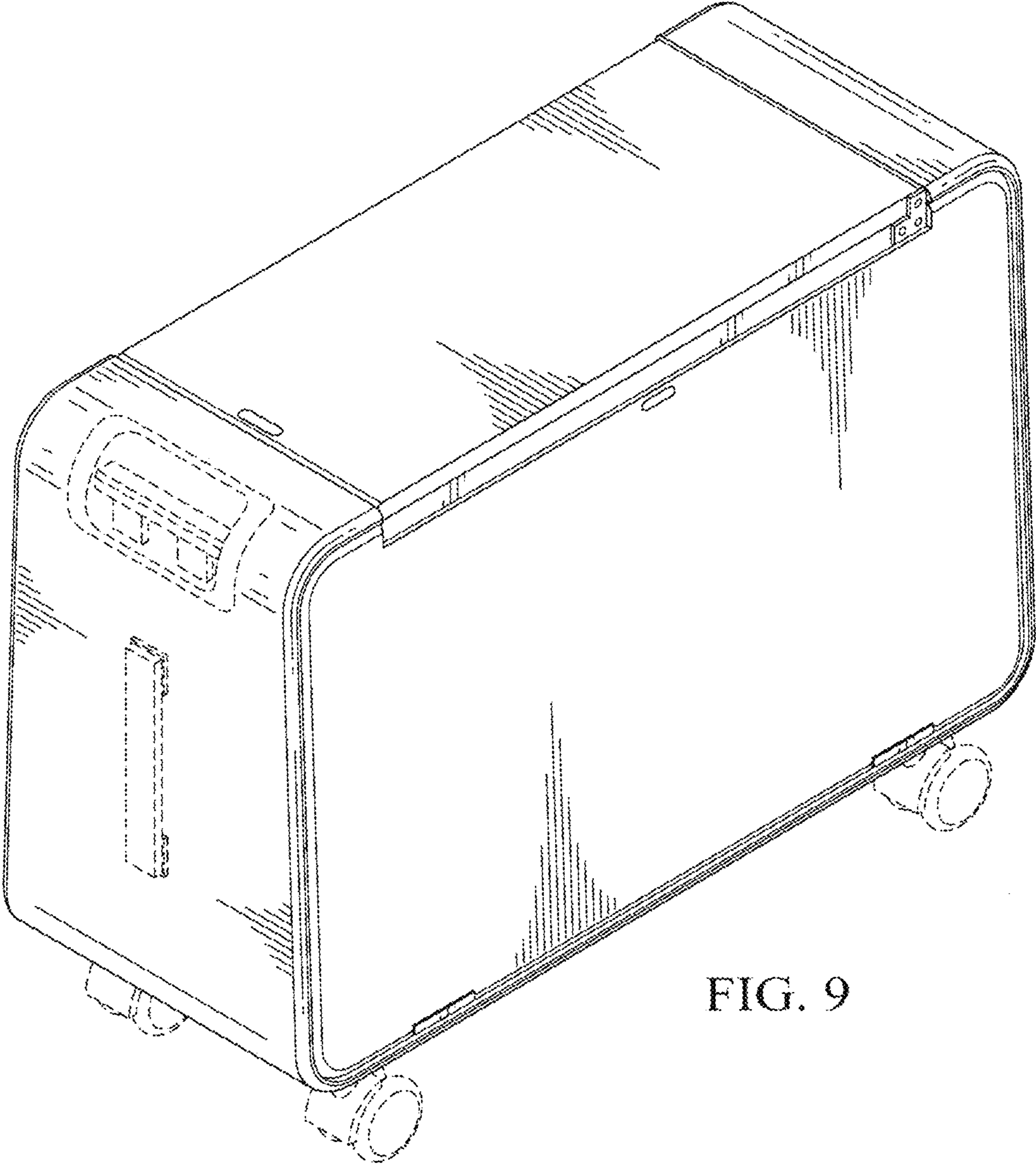


FIG. 9

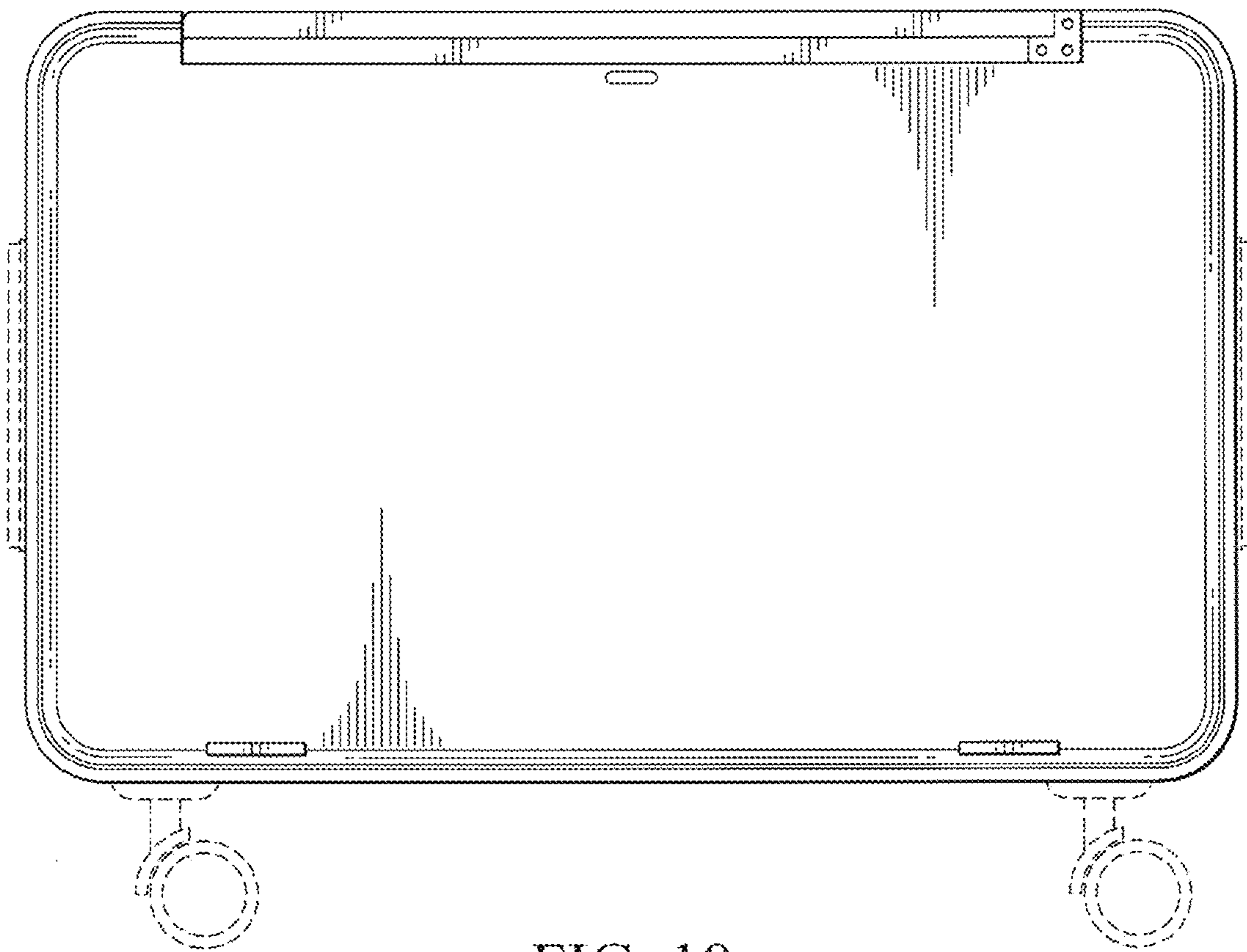


FIG. 10

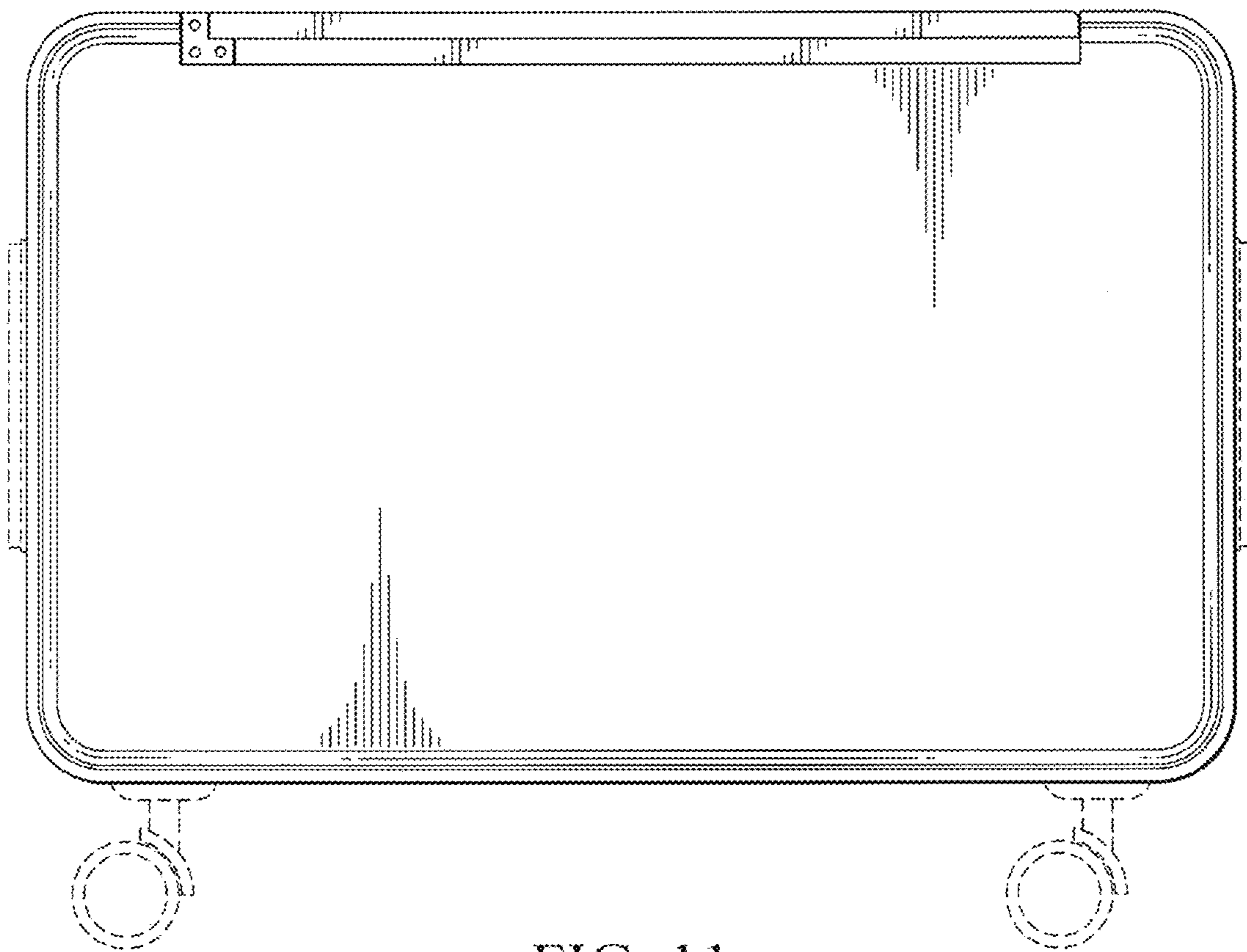


FIG. 11