



US00D952339S

(12) **United States Design Patent** (10) **Patent No.:** **US D952,339 S**
Valdez (45) **Date of Patent:** **** May 24, 2022**

(54) **CASE FOR HIDDEN TOOL SET**
(71) Applicant: **Richard K. Valdez**, Oak View, CA (US)
(72) Inventor: **Richard K. Valdez**, Oak View, CA (US)
(**) Term: **15 Years**
(21) Appl. No.: **29/751,958**
(22) Filed: **Sep. 24, 2020**
(51) **LOC (13) Cl.** **03-01**
(52) **U.S. Cl.**
USPC **D3/271.6**
(58) **Field of Classification Search**
USPC D3/205, 206, 207, 208, 209, 210, 211, D3/212, 232, 242, 423, 270, 271.1, 271.5, D3/271.6, 272, 274, 275, 276, 283, 294, D3/295, 296, 299, 304
CPC A45C 11/16
See application file for complete search history.

D462,517 S * 9/2002 Knox, Jr. D3/271.5
D462,518 S * 9/2002 Truffier-Blanc D3/273
D514,810 S * 2/2006 Armato D3/273
7,036,665 B1 * 5/2006 Gyr B65D 77/006
206/472
D606,874 S * 12/2009 Faridovich D9/634
D831,351 S * 10/2018 Lee D3/271.5
(Continued)

OTHER PUBLICATIONS

The Works Wooden Book Box, announced 2019 [online], [site visited Dec. 14, 2021]. Available from internet, URL: <<https://www.theworks.co.uk/p/wooden-crafts/wooden-book-box/5052089282797.html>> (Year: 2019).*

(Continued)

Primary Examiner — Kevin K Rudzinski
Assistant Examiner — Amber J Rabie
(74) *Attorney, Agent, or Firm* — Sandy Lipkin

(57) **CLAIM**

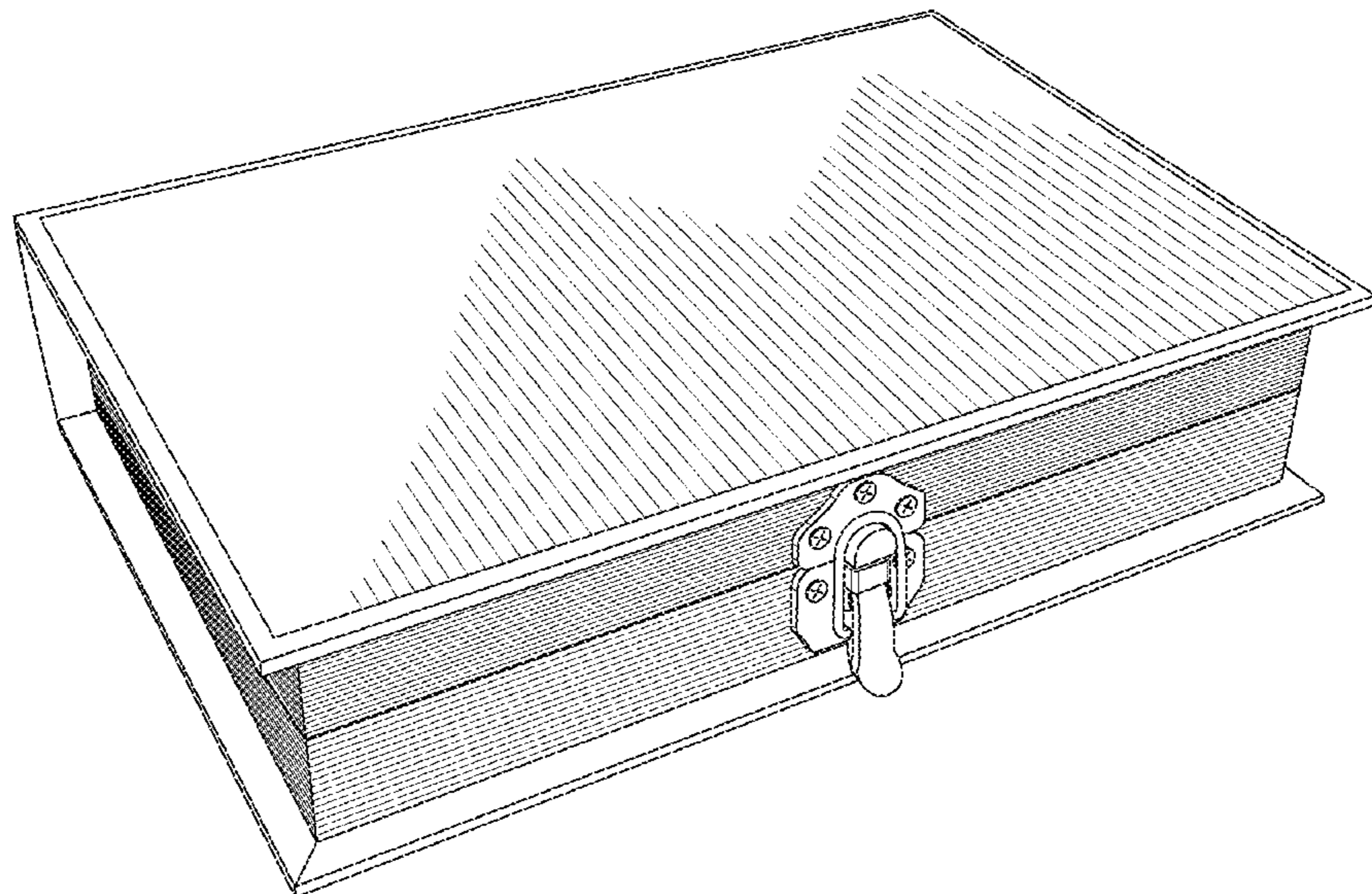
The ornamental design for a case for hidden tool set, as shown and described.

DESCRIPTION

FIG. 1 is a top front perspective view of the case for hidden tool set.
FIG. 2 is a top rear perspective view of the case for hidden tool set.
FIG. 3 is a top view of the case for hidden tool set.
FIG. 4 is a bottom view of the case for hidden tool set.
FIG. 5 is a rear view of the case for hidden tool set.
FIG. 6 is a front view of the case for hidden tool set.
FIG. 7 is a first side view of the case for hidden tool set.
FIG. 8 is a second side view of the case for hidden tool set; and,
FIG. 9 is a top perspective view of the inside of the case for hidden tool set in the open position.

1 Claim, 9 Drawing Sheets

(56) **References Cited**
U.S. PATENT DOCUMENTS
1,610,146 A * 12/1926 Panzer A45C 11/16
190/109
D72,943 S * 6/1927 Friedman D3/271.5
1,709,685 A * 4/1929 Rothrock B65D 77/006
206/472
1,960,073 A * 5/1934 Warner A45C 11/16
206/759
D175,722 S * 10/1955 Graham D9/634
2,797,806 A * 7/1957 Davis A47F 7/03
206/486
3,003,619 A * 10/1961 Samuels A45C 11/16
206/752
4,467,920 A * 8/1984 Smith B65D 77/006
109/59 R
D303,764 S * 10/1989 Kilmartin, III D3/295
D356,031 S * 3/1995 Bones D3/271.5



(56)

References Cited

U.S. PATENT DOCUMENTS

10,729,239 B2 * 8/2020 Murcinova A47B 45/00
2009/0134209 A1 * 5/2009 Tonaltzin A45C 13/10
229/116.1

OTHER PUBLICATIONS

Blake & Lake Store Antique Style Wood Storage Box, announced Jun. 16, 2020 [online], [site visited Dec. 13, 2021]. Available from internet, URL: <<https://www.amazon.com/Antique-Style-Wood-Storage-Box/dp/B08BB38L93/>> (Year: 2020).*

* cited by examiner

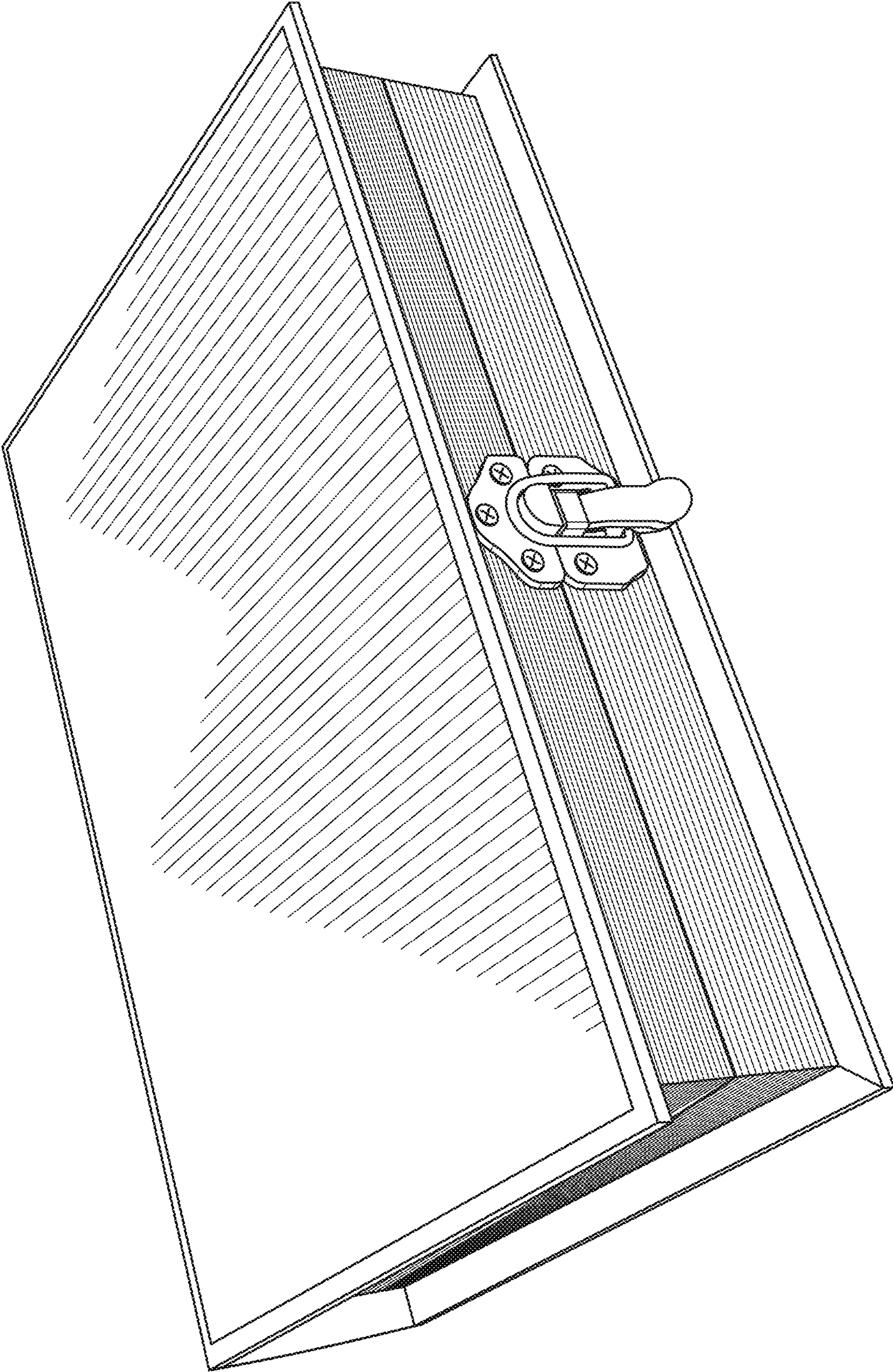


FIG. 1

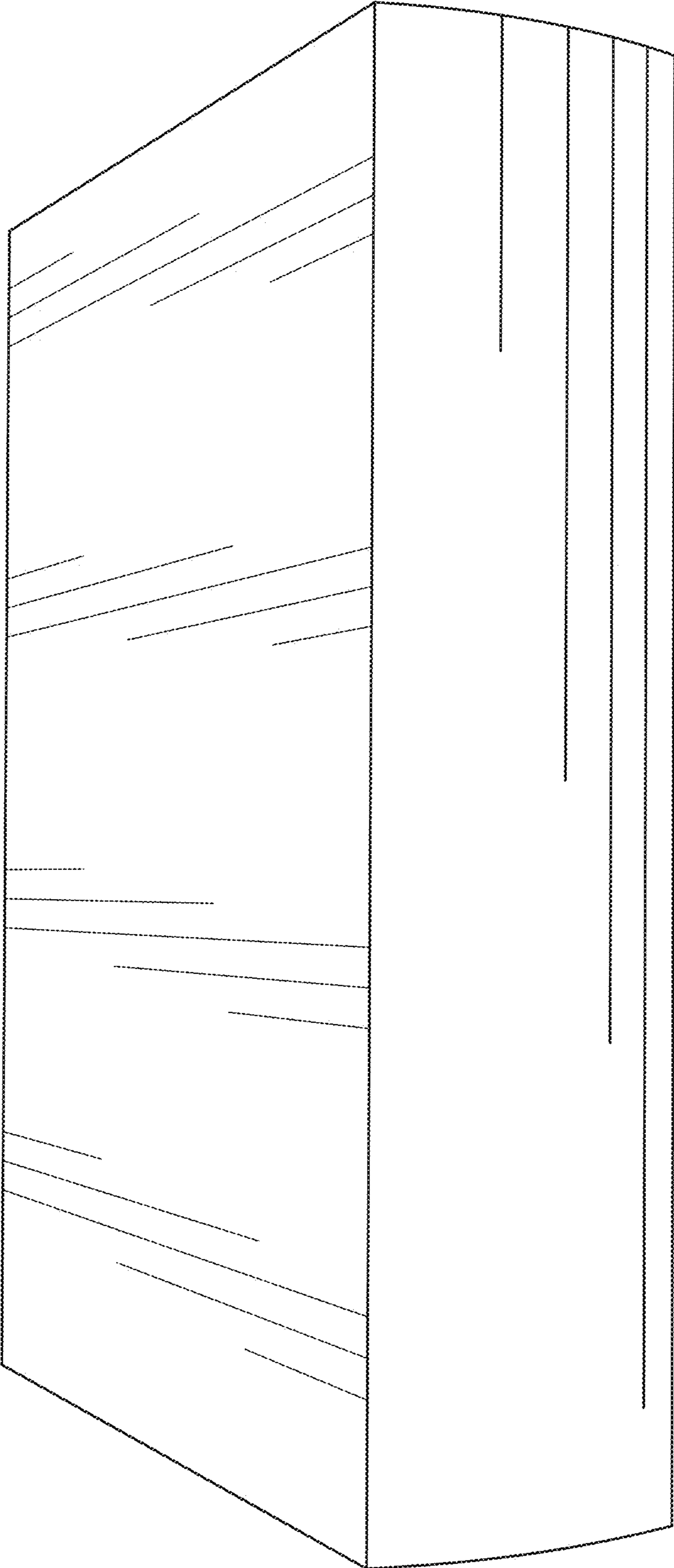


FIG. 2

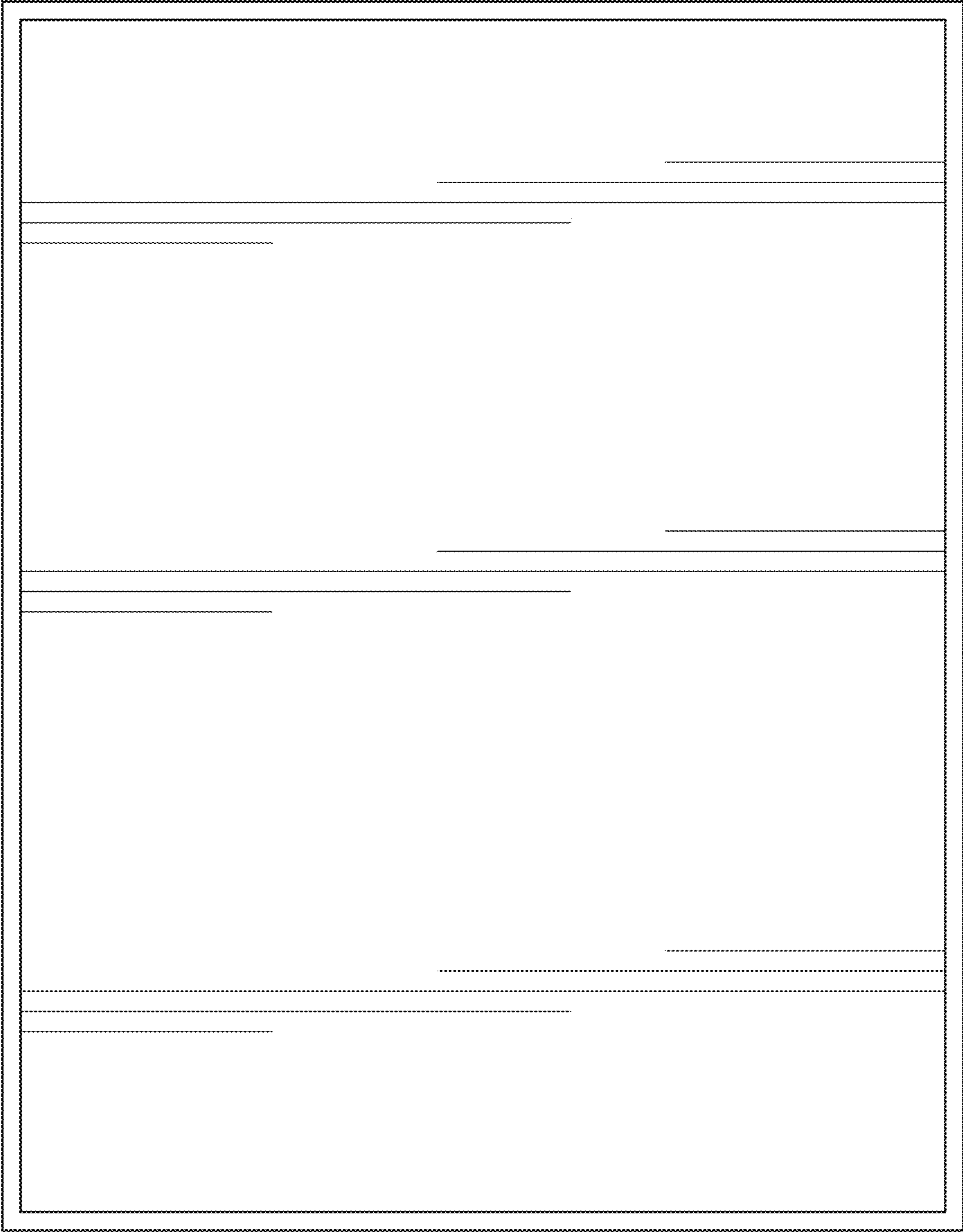


FIG. 3

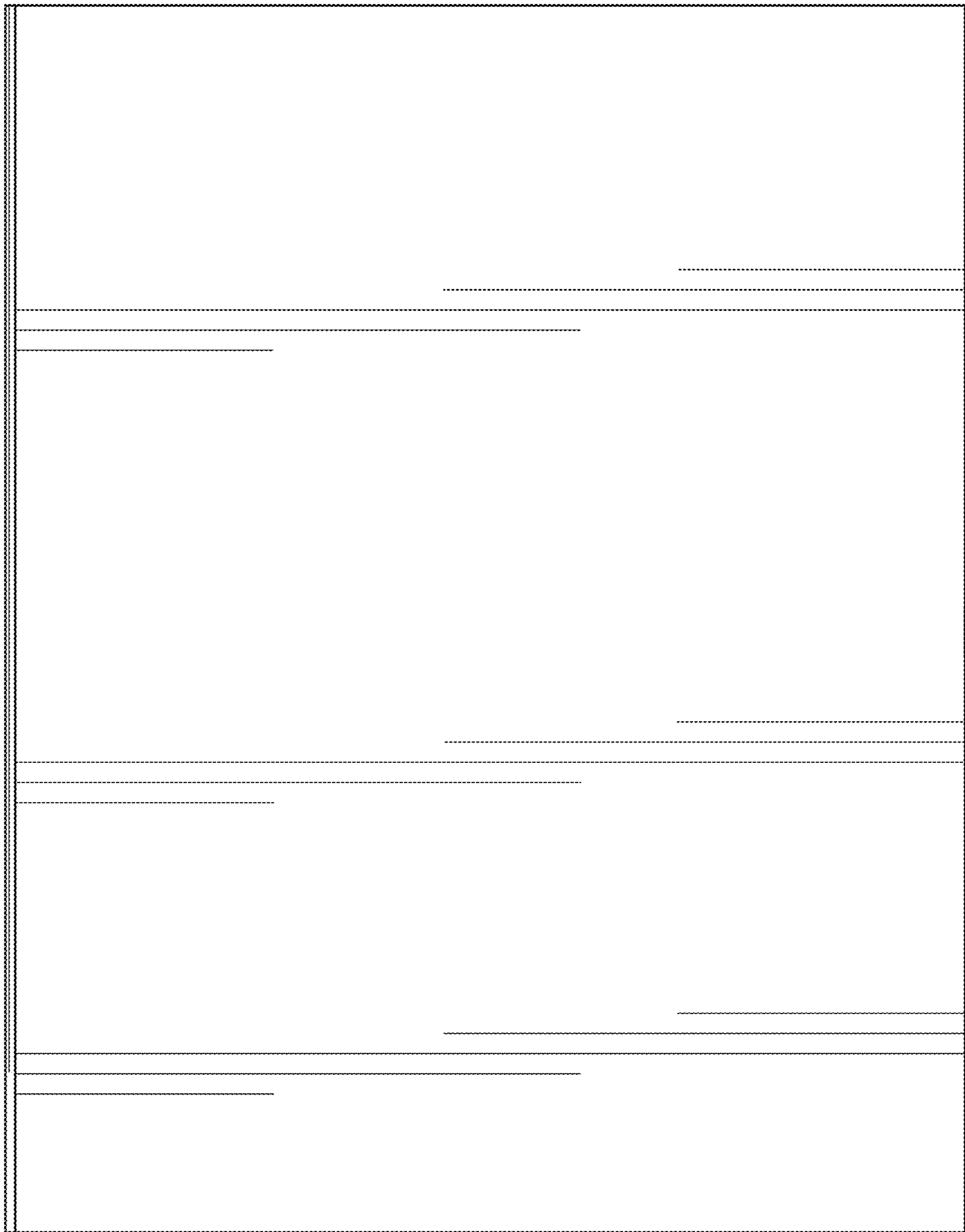


FIG. 4

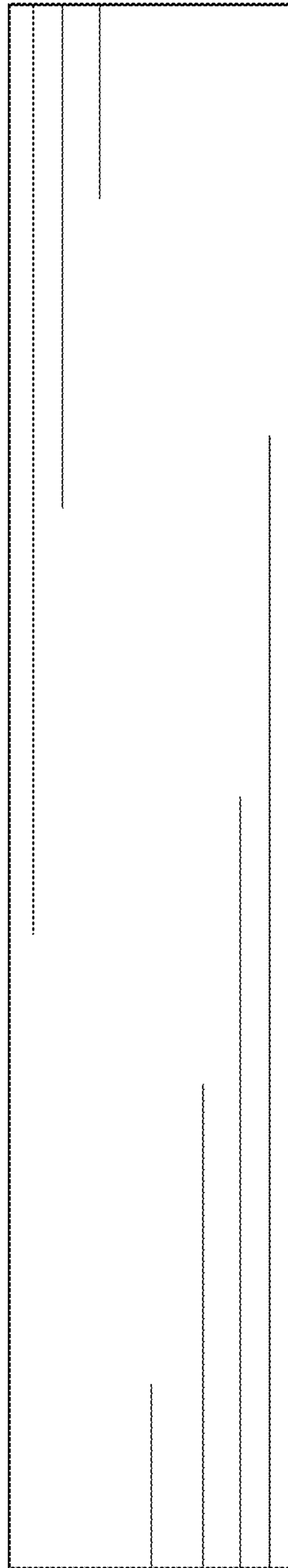


FIG. 5

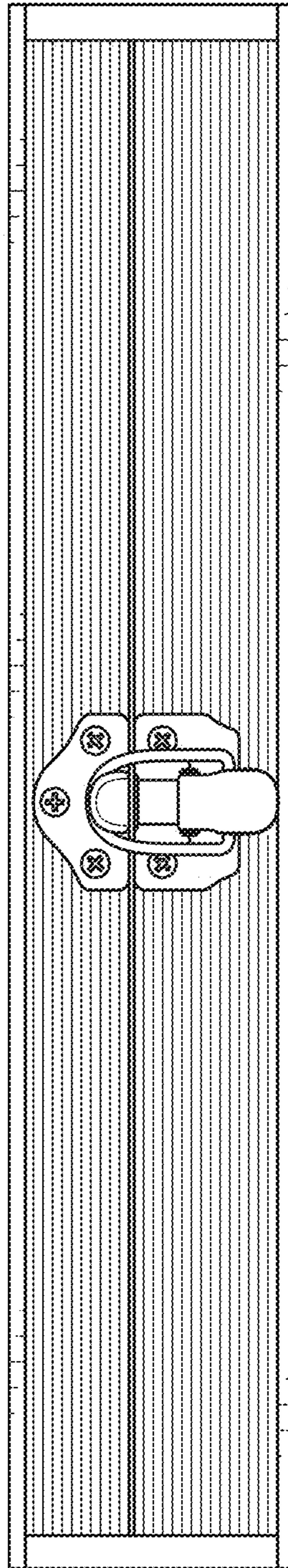


FIG. 6

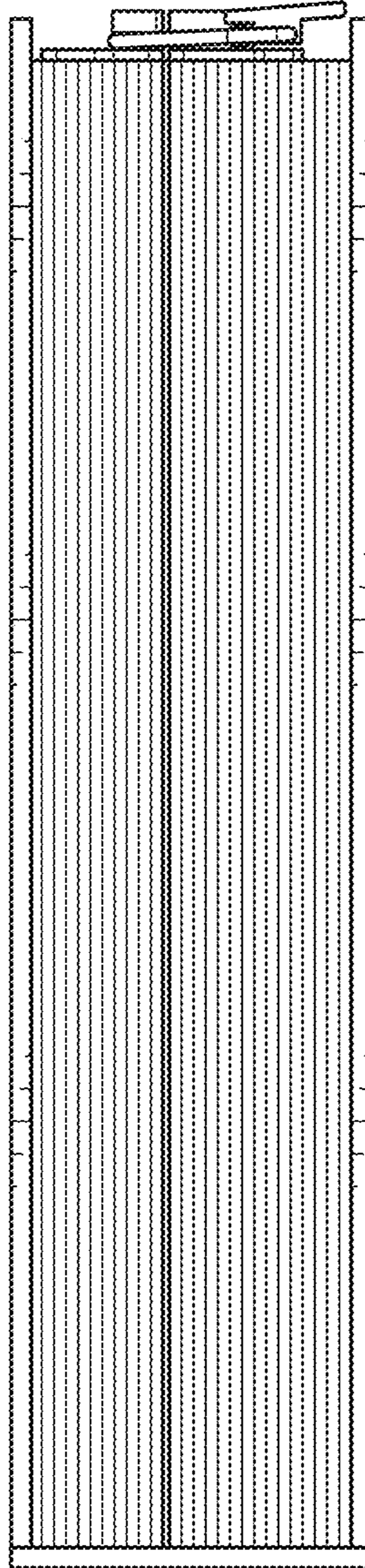


FIG. 7

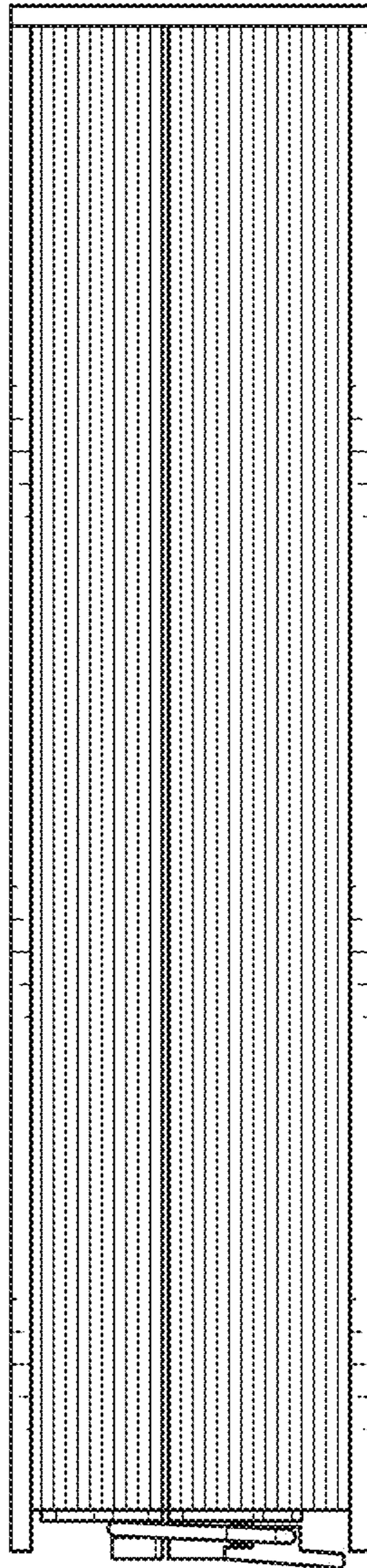


FIG. 8

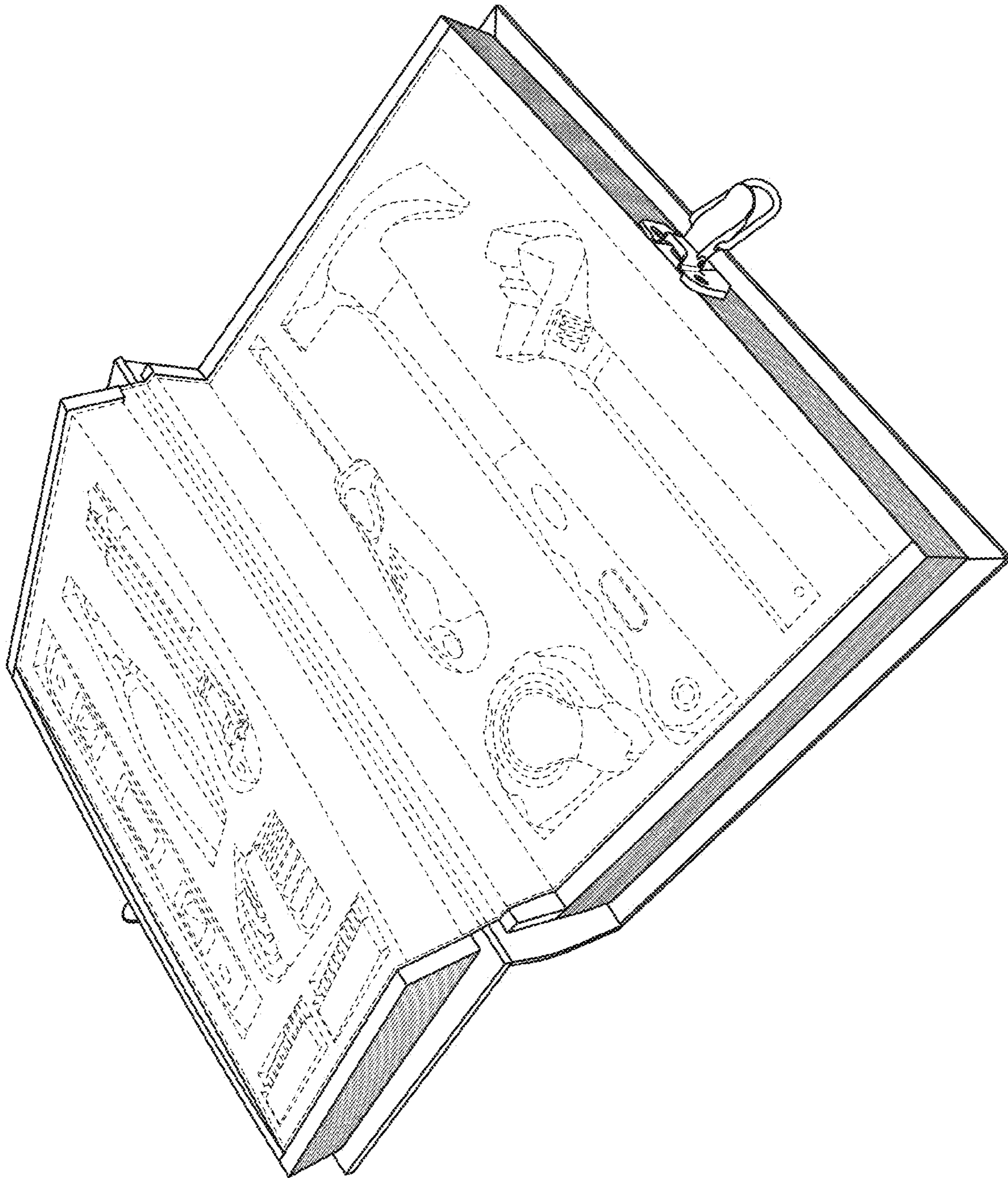


FIG. 9