



US00D952337S

(12) **United States Design Patent**
Meidell

(10) **Patent No.:** **US D952,337 S**

(45) **Date of Patent:** **** May 24, 2022**

- (54) **ACCORDION-FOLD WALLET**
- (71) Applicant: **John Elling Meidell**, Fresno, CA (US)
- (72) Inventor: **John Elling Meidell**, Fresno, CA (US)
- (**) Term: **15 Years**
- (21) Appl. No.: **29/796,985**
- (22) Filed: **Jun. 28, 2021**
- (51) **LOC (13) Cl.** **03-01**
- (52) **U.S. Cl.**
USPC **D3/250**
- (58) **Field of Classification Search**
USPC D3/218, 231–233, 243, 245–246,
D3/247–253, 303
CPC ... A45C 1/06; A45C 2011/002; A45C 11/182;
A45C 11/18; A45C 13/004
See application file for complete search history.

(56) **References Cited**

U.S. PATENT DOCUMENTS

966,352	A *	8/1910	Pemberton	A45C 1/06 150/140
D138,100	S *	6/1944	Renz	D3/250
D208,253	S *	8/1967	Standard	D12/417
3,565,148	A *	2/1971	Erwin	A45C 1/06 150/147
D278,445	S *	4/1985	Hartney	D19/26
D313,695	S *	1/1991	Mawhinney	D12/422
D352,824	S *	11/1994	Saggese, Jr.	D3/215
D378,024	S *	2/1997	Tucker	D3/303
D385,694	S *	11/1997	Magnussen	D3/201
D443,412	S *	6/2001	Conforti	D3/243
D586,121	S *	2/2009	Holzner	D3/247
D619,358	S *	7/2010	Dillard	D3/243
D631,658	S *	2/2011	Jacovides	D3/247
D679,499	S *	4/2013	Harris	D3/303
D681,949	S *	5/2013	Kershenstein	D3/249
D710,105	S *	8/2014	Hondos	D3/303
D713,643	S *	9/2014	Adinolfe, Sr.	D3/303

8,833,408	B1 *	9/2014	Price	A45C 1/06 150/145
9,801,438	B2 *	10/2017	Delle Vedove	A45C 11/182
D822,988	S *	7/2018	Taylor	D3/247
D846,873	S *	4/2019	Wood	D3/247
D880,159	S *	4/2020	Fenton	D3/303
2003/0150536	A1 *	8/2003	Morehead	A45C 1/06 150/134
2006/0261107	A1 *	11/2006	Daniels	A45F 5/00 224/219

(Continued)

Primary Examiner — Jennifer L Watkins
Assistant Examiner — Samantha Lynne Brodowski
(74) *Attorney, Agent, or Firm* — Richard A. Ryan

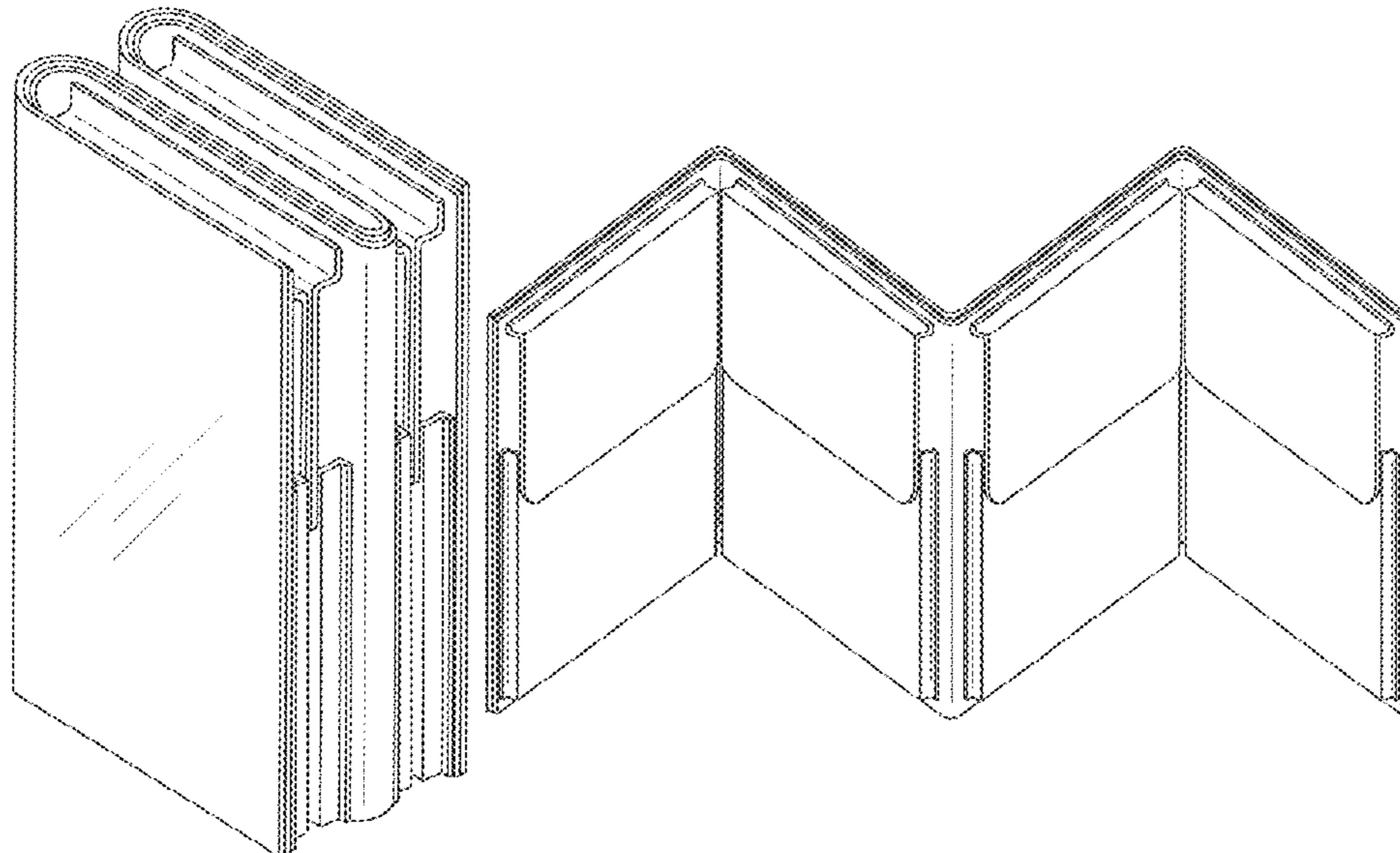
(57) **CLAIM**

The ornamental design for an accordion-fold wallet, as shown and described.

DESCRIPTION

FIG. 1 is a left side perspective view of an accordion-fold wallet, in a folded position;
 FIG. 2 is a front view thereof;
 FIG. 3 is a back view thereof;
 FIG. 4 is a left side view thereof;
 FIG. 5 is a right side view thereof;
 FIG. 6 is a top plan view thereof;
 FIG. 7 is a bottom view thereof;
 FIG. 8 is a front perspective view of the accordion-fold wallet of FIG. 1 shown in a partially opened position;
 FIG. 9 is a front view of the accordion-fold wallet of FIG. 1 shown in a fully opened position;
 FIG. 10 is a back view thereof; and,
 FIG. 11 is a perspective in use view thereof shown in an environment of use with the right most compartment in an open position showing a hook and loop fastener closure. The broken lines showing a ten dollar bill and a credit card in FIG. 11 depict environment and form no part of the claimed design.

1 Claim, 5 Drawing Sheets



(56)

References Cited

U.S. PATENT DOCUMENTS

2011/0308972 A1* 12/2011 Strem A45C 11/18
206/39
2013/0248310 A1* 9/2013 Taylor-Phillips A45C 13/03
190/111

* cited by examiner

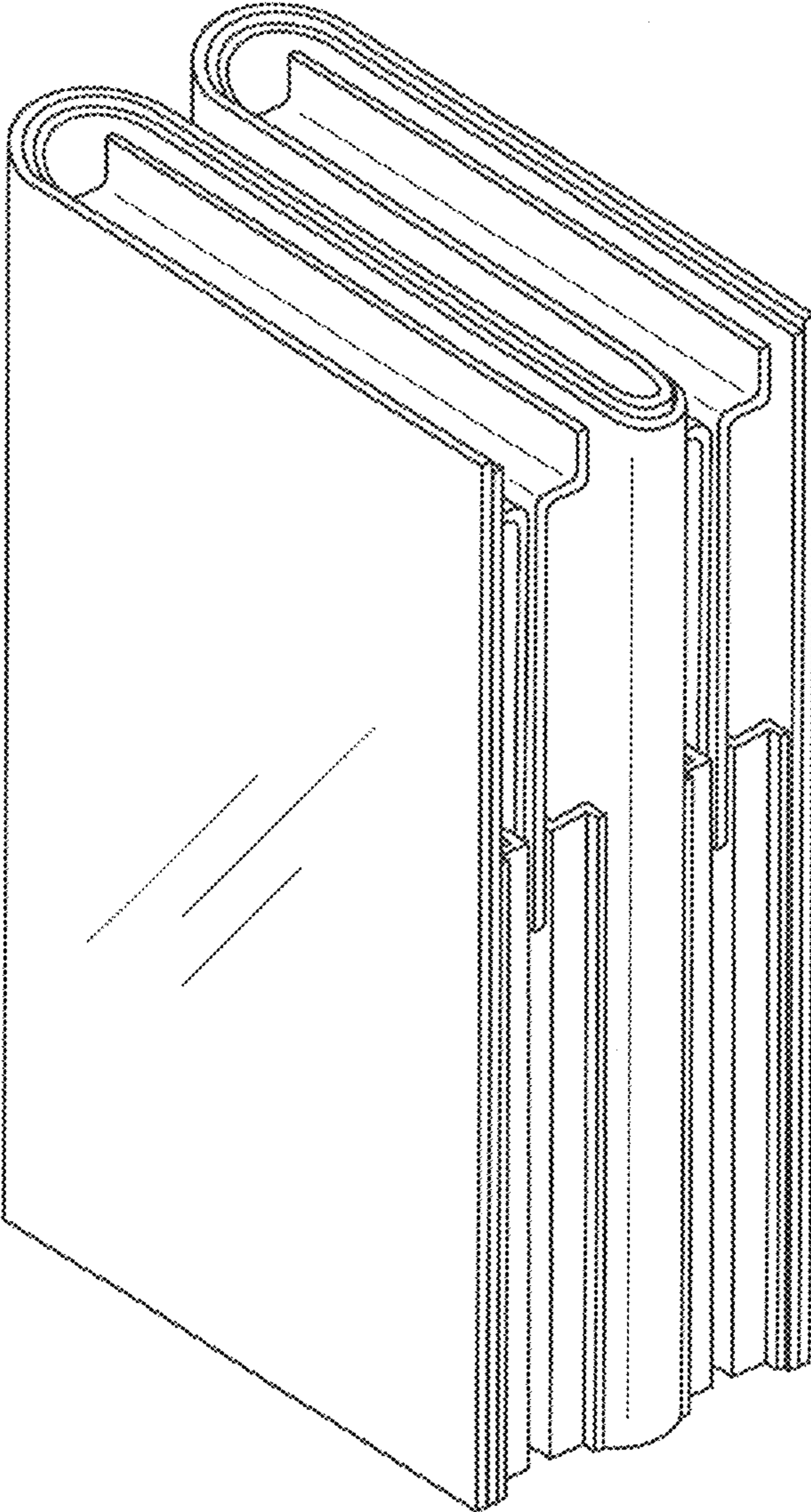


FIG. 1

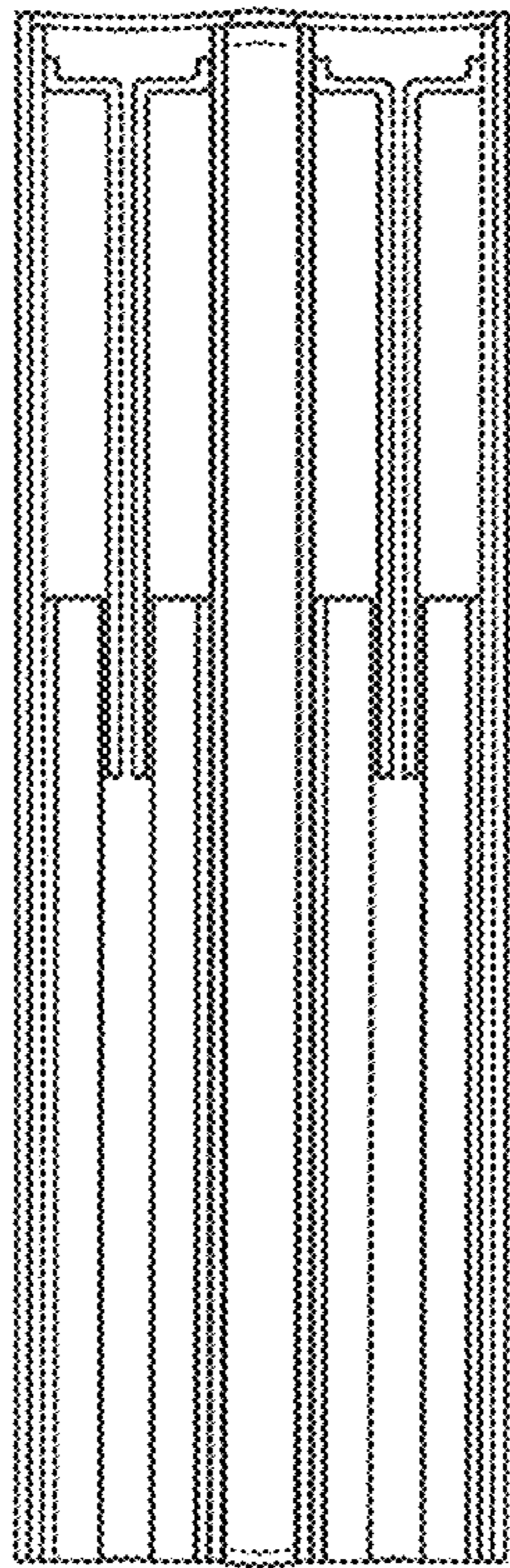


FIG. 2

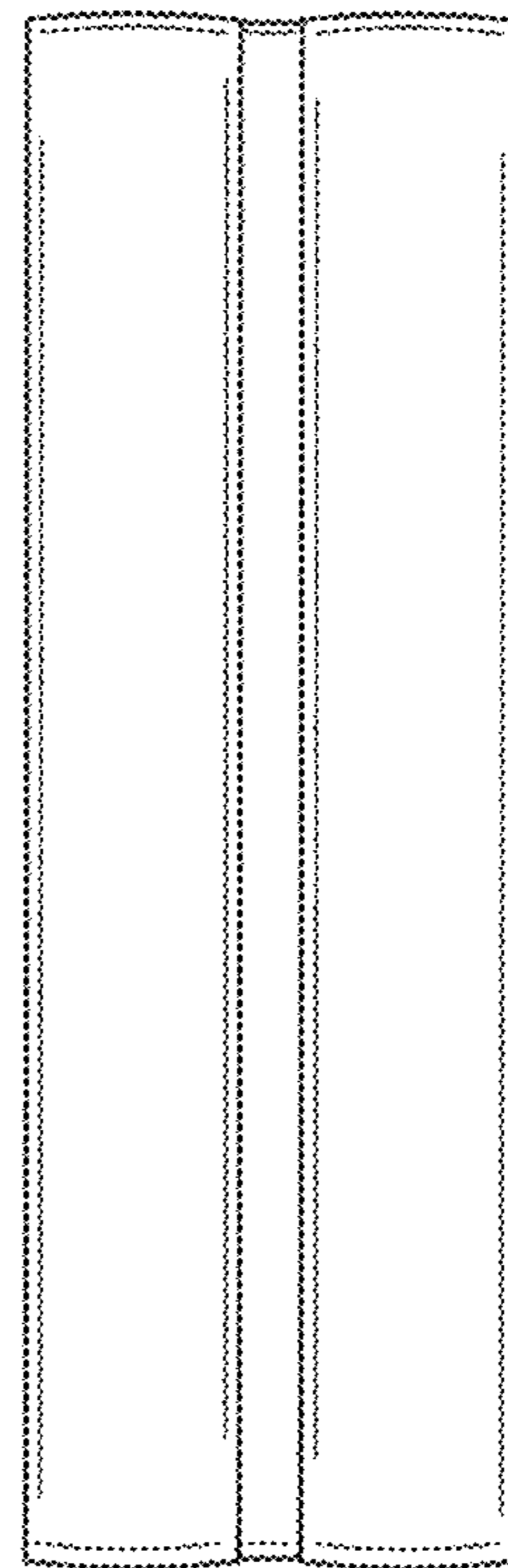


FIG. 3

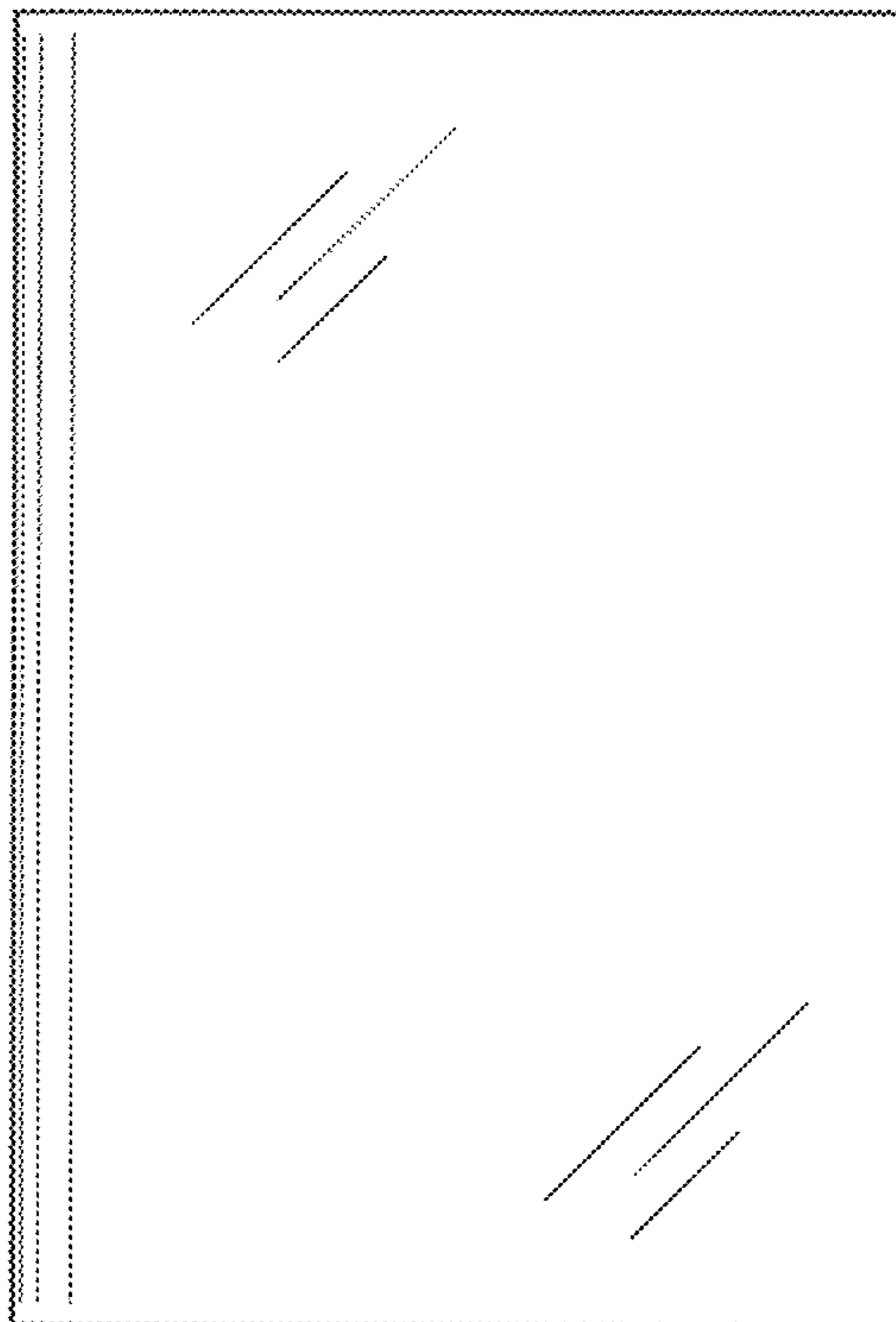


FIG. 4

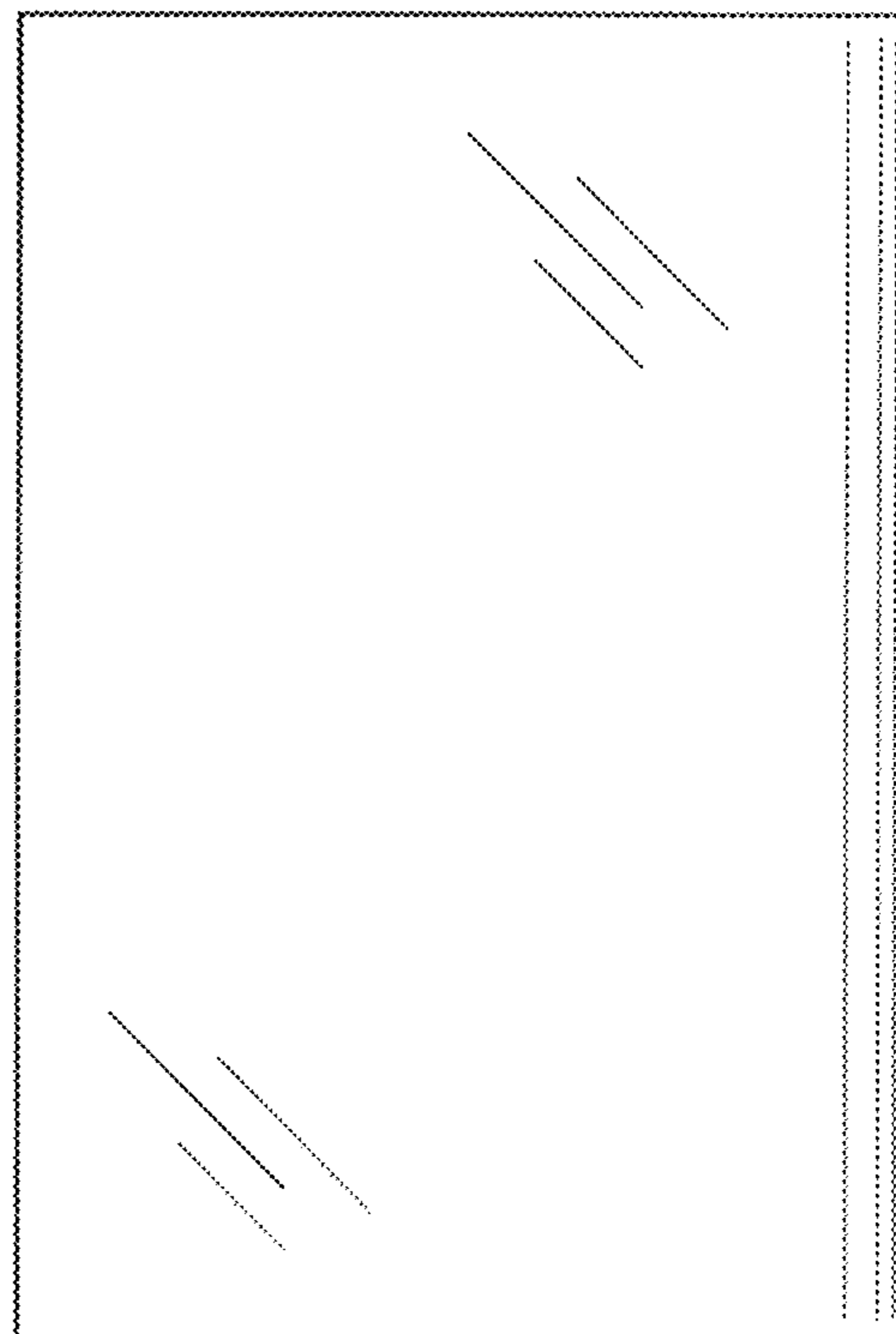


FIG. 5

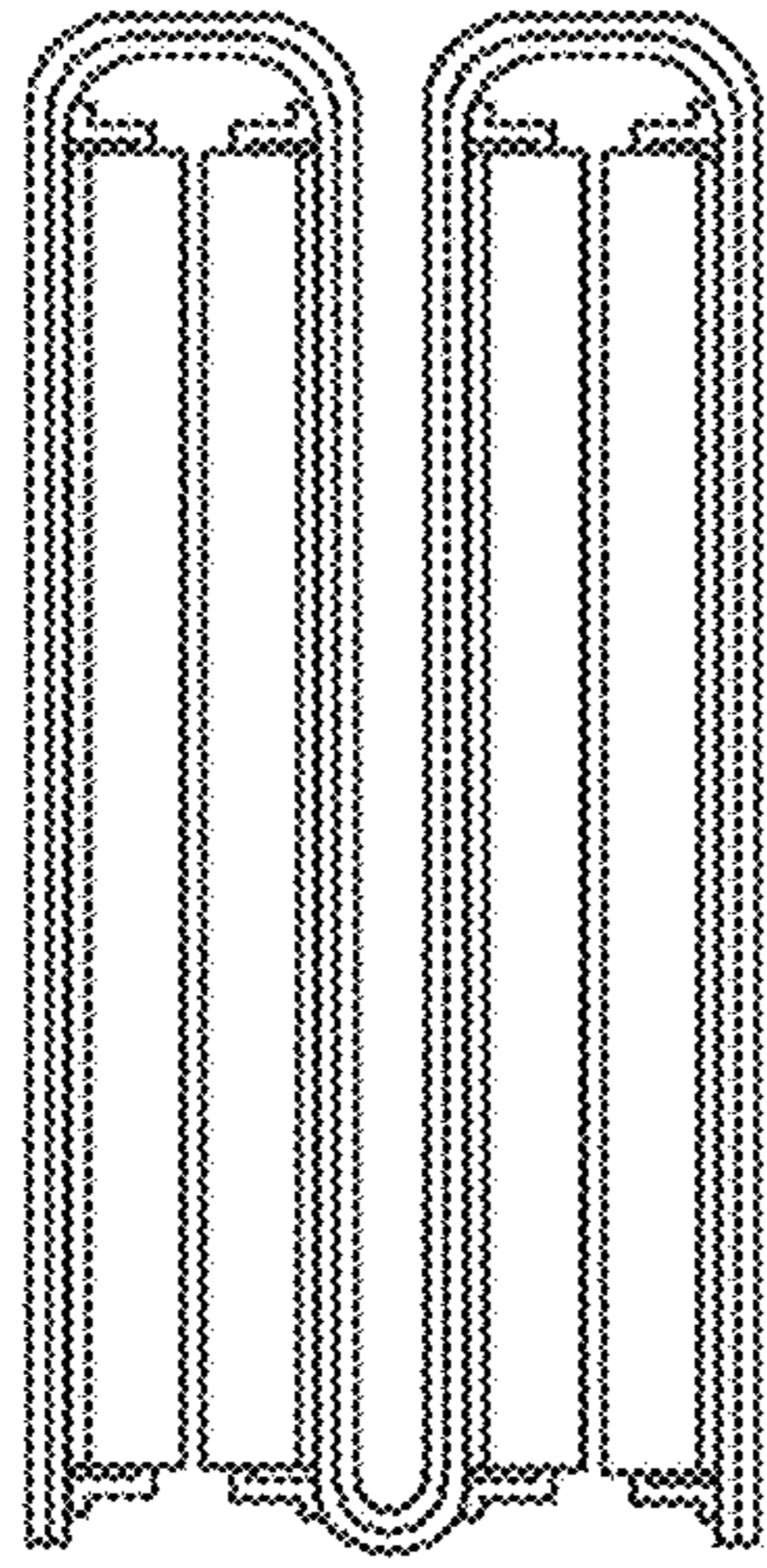


FIG. 6

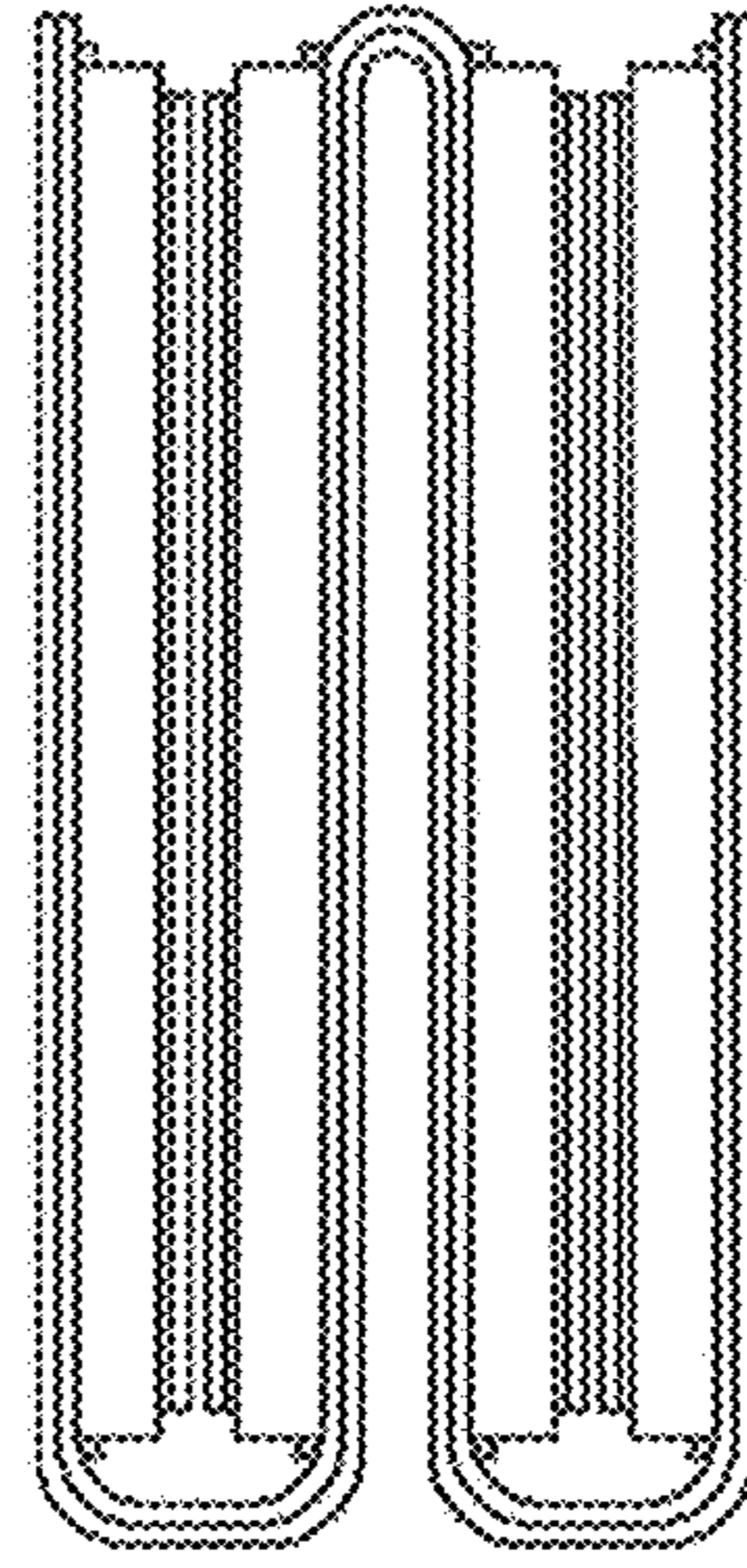


FIG. 7

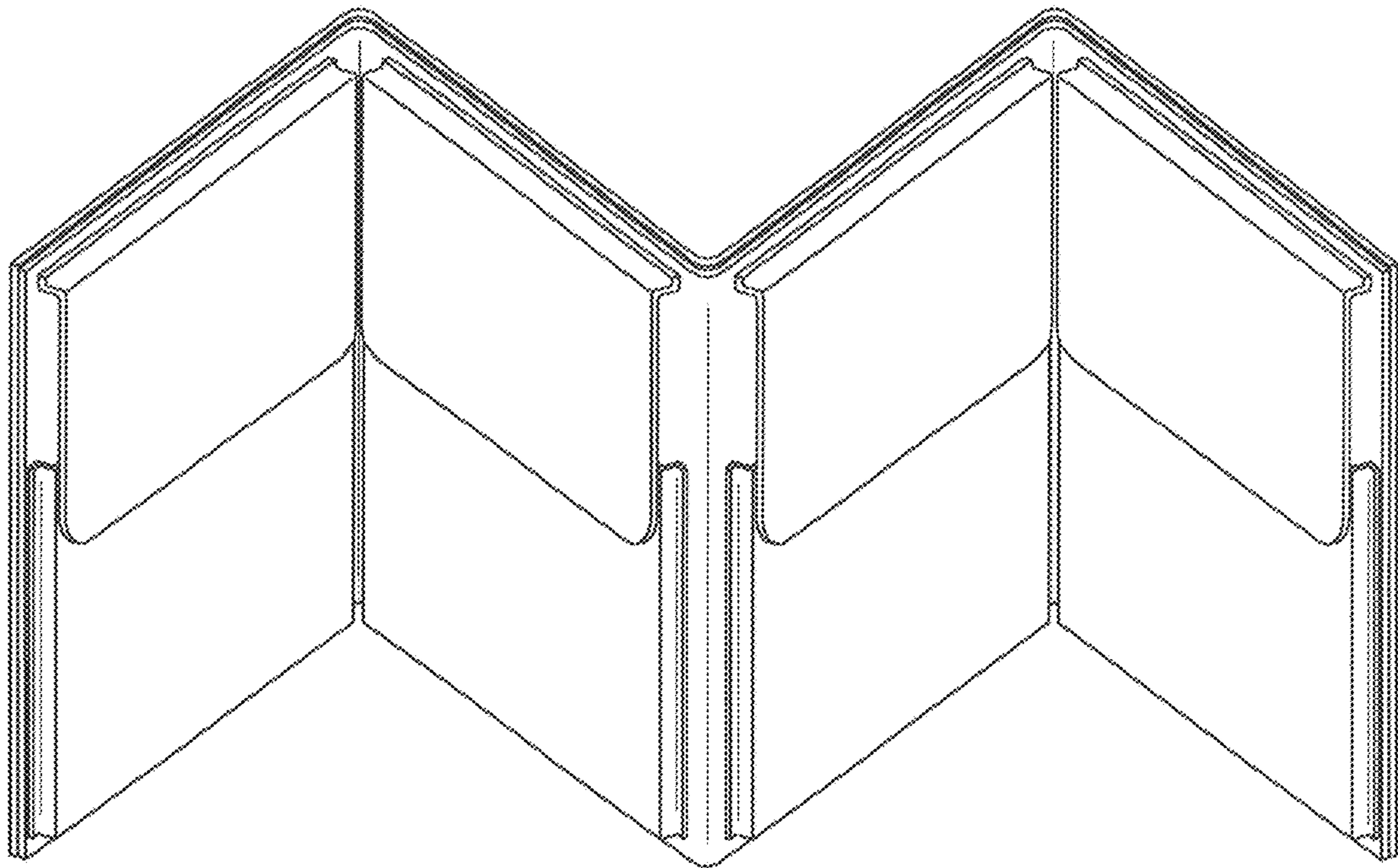


FIG. 8

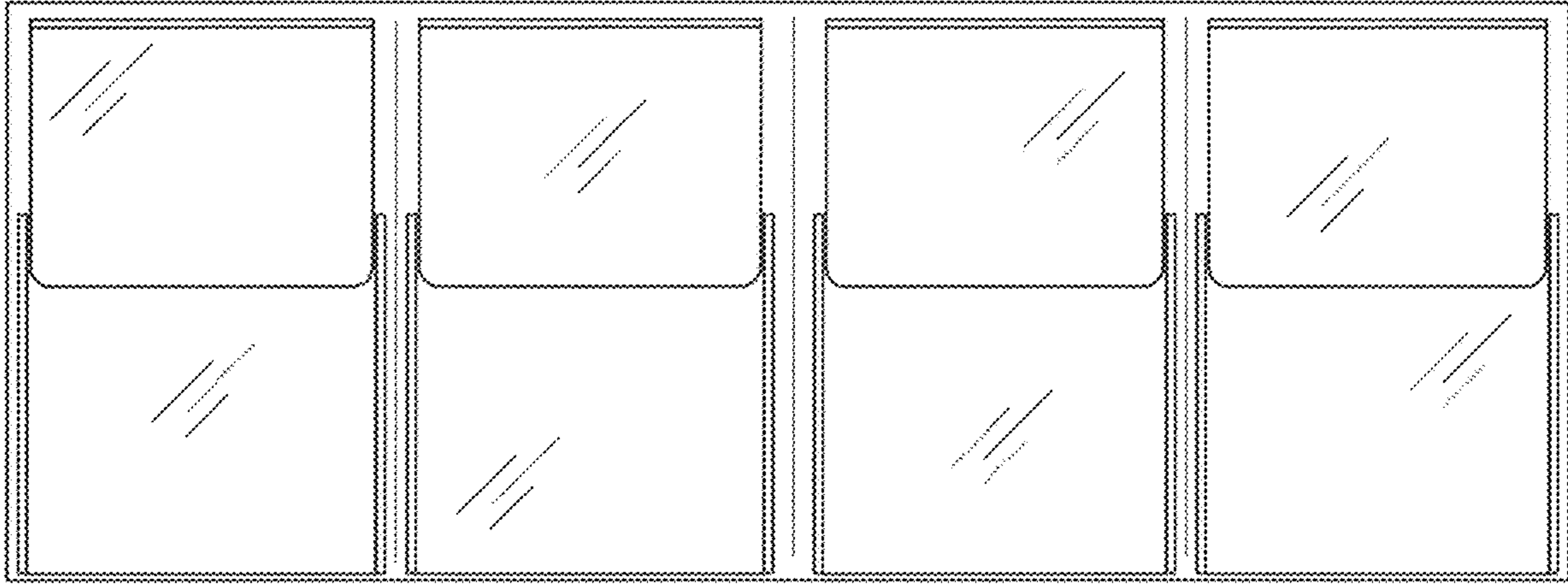


FIG. 9

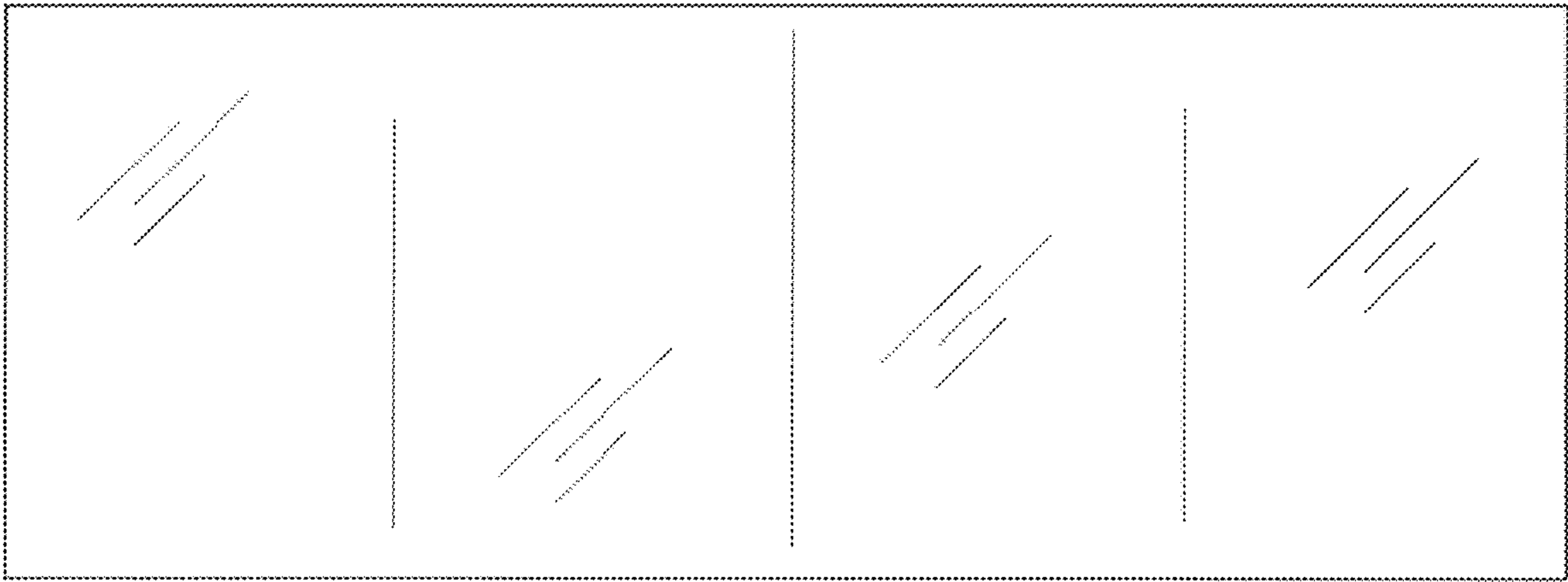


FIG. 10

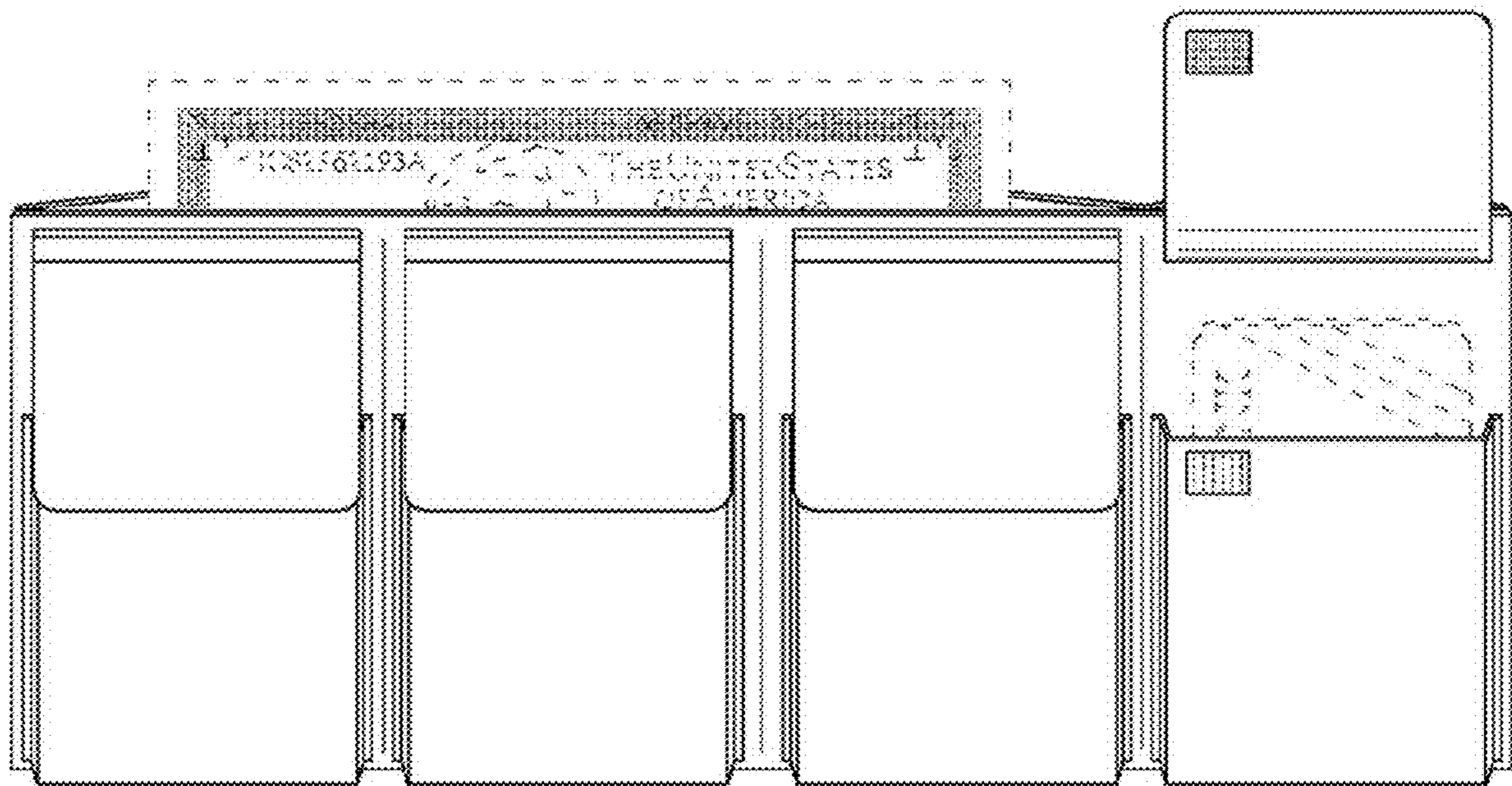


FIG. 11