



US00D952335S

(12) **United States Design Patent** (10) **Patent No.:** **US D952,335 S**  
**Metzger** (45) **Date of Patent:** **\*\* May 24, 2022**

(54) **HANDBAG**  
(71) Applicant: **Intensive GmbH**, Bolligen (CH)  
(72) Inventor: **Raffaella Iten Metzger**, Bern (CH)  
(\*\*) Term: **15 Years**  
(21) Appl. No.: **35/510,936**  
(22) Filed: **Sep. 8, 2020**

(80) **Hague Agreement Data**

Int. Filing Date: **Sep. 8, 2020**  
Int. Reg. No.: **DM/211557**  
Int. Reg. Date: **Sep. 8, 2020**  
Int. Reg. Pub. Date: **Dec. 11, 2020**

(51) **LOC (13) Cl.** ..... **03-01**  
(52) **U.S. Cl.**  
USPC ..... **D3/243**  
CPC ..... **A45C 3/06** (2013.01)  
(58) **Field of Classification Search**  
USPC ..... D3/232, 239-243, 245, 246, 231  
CPC .. A45C 13/10; A45C 3/06; A45C 3/08; A45C  
3/00; A45C 13/08; A45C 13/30  
See application file for complete search history.

(56) **References Cited**

**U.S. PATENT DOCUMENTS**

D95,295 S 4/1935 Walinsky  
D143,191 S 12/1945 Deutz  
2,798,254 A 7/1957 Ryon  
D248,058 S \* 5/1978 Siegel ..... D3/243  
D257,471 S \* 11/1980 Siegel ..... D3/243  
D258,551 S \* 3/1981 Siegel ..... D3/243  
D260,053 S \* 8/1981 Siegel ..... D3/243  
D260,198 S \* 8/1981 Siegel ..... D3/243  
D260,199 S \* 8/1981 Siegel ..... D3/243  
D332,006 S \* 12/1992 Ross ..... D3/243  
D341,939 S \* 12/1993 Zelcer ..... D3/243  
D483,563 S \* 12/2003 Dwight ..... D3/243  
D498,587 S 11/2004 de Baschmakoff  
D566,384 S \* 4/2008 Yanz ..... D3/232

D578,753 S \* 10/2008 Hsu ..... D3/232  
D586,119 S \* 2/2009 Sabbah ..... D3/243  
D596,396 S \* 7/2009 McCoy ..... D3/232  
D596,850 S \* 7/2009 Smith ..... D3/232  
D607,205 S \* 1/2010 Sabbah ..... D3/243  
D716,048 S \* 10/2014 Bradfield ..... D3/303  
D761,557 S \* 7/2016 Bernardoni ..... D3/243  
D767,880 S 10/2016 Fricano  
D787,178 S 5/2017 Maier  
D813,533 S 3/2018 de Haan  
D816,340 S \* 5/2018 Rosella ..... D3/318  
D818,703 S 5/2018 Guyon et al.  
D821,745 S \* 7/2018 Dumas ..... D3/232  
D830,690 S 10/2018 Sassi

(Continued)

**FOREIGN PATENT DOCUMENTS**

CN ZL201830183400.X 12/2018  
IN 311380 10/2018

(Continued)

**OTHER PUBLICATIONS**

By Far, By Far Rachel Bag (Year: 2022).  
(Continued)

*Primary Examiner* — Richard E Chilcot

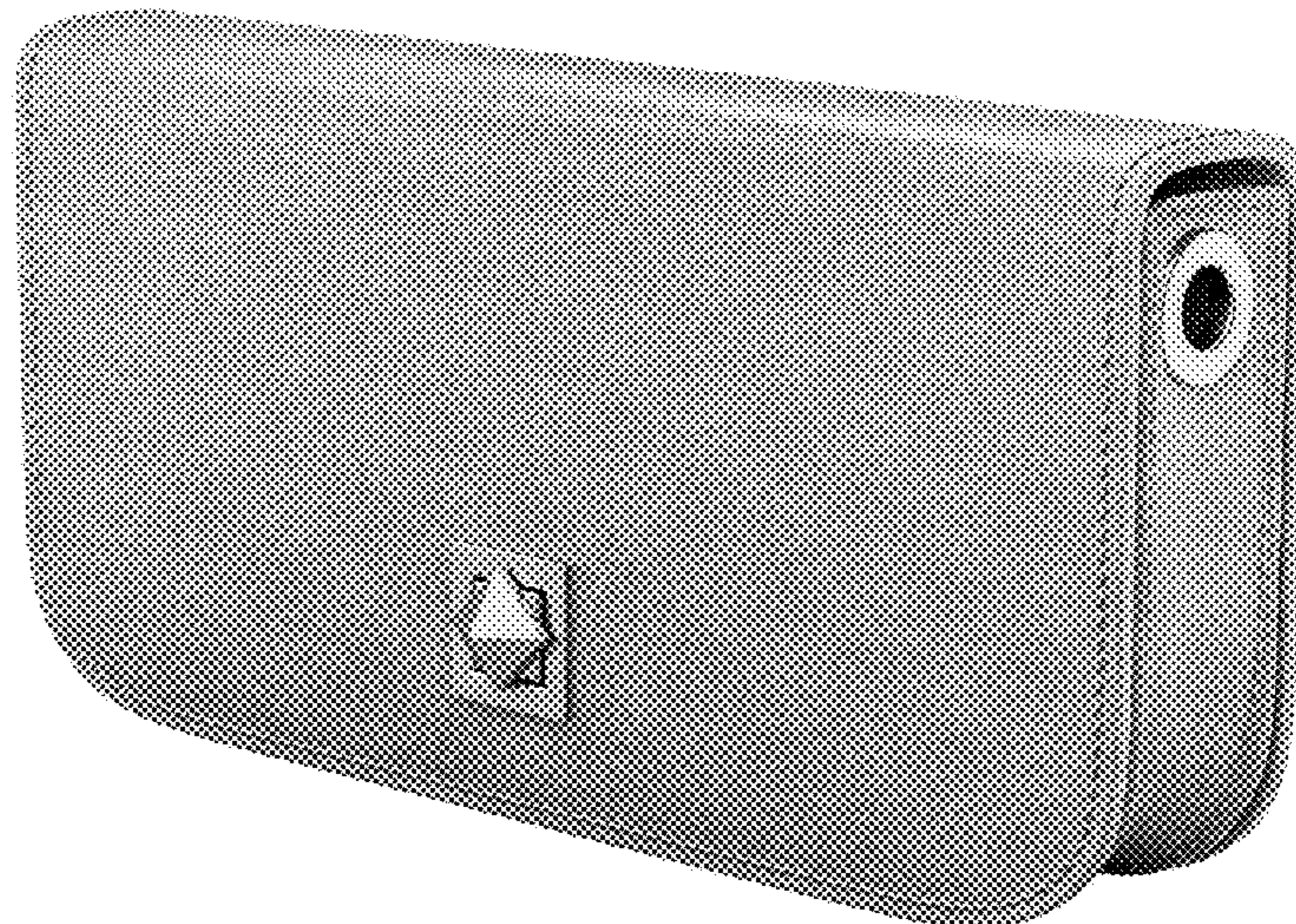
(57) **CLAIM**

The ornamental design for handbag, as shown and described.

**DESCRIPTION**

- 1. Handbag
- 1.1 : Perspective
- 1.2 : Front
- 1.3 : Back
- 1.4 : Left
- 1.5 : Right
- 1.6 : Top
- 1.7 : Bottom
- 1.8 : Exploded

**1 Claim, 8 Drawing Sheets**



(56)

**References Cited**

U.S. PATENT DOCUMENTS

D865,357 S *	11/2019	Metzger .....	D3/232
D876,830 S *	3/2020	Spaziani .....	D3/243
D888,419 S *	6/2020	Della Valle .....	D3/243
D891,094 S *	7/2020	Dumas .....	D3/232
D894,596 S *	9/2020	Metzger .....	D3/243
D915,770 S *	4/2021	Breines .....	D3/285
D923,329 S *	6/2021	Zuniga .....	D3/233
2010/0218862 A1	9/2010	Ellermeyer	

FOREIGN PATENT DOCUMENTS

TW	D199949	10/2019
WO	DM/097489	3/2017
WO	DM/102122	4/2018
WO	DM/103482	10/2018

OTHER PUBLICATIONS

Carrie Dunham, Carrie Dunham Cover Exchangeable with Stud System, available online at URL: <https://carriedunham.com/collections/dunham-clutch-collection> (Year: 2022).

www.miche-bag.eu, Miche Cover Exchangeable with Magnet system, available online at URL: [https://www.miche-bag.eu/webshop/classic\\_cover/1000](https://www.miche-bag.eu/webshop/classic_cover/1000) (Year: 2022).

Zoé Lu, Zoelu Cover Detachable with Zip System, available online at URL: <https://zoelu.com/> (Year: 2022).

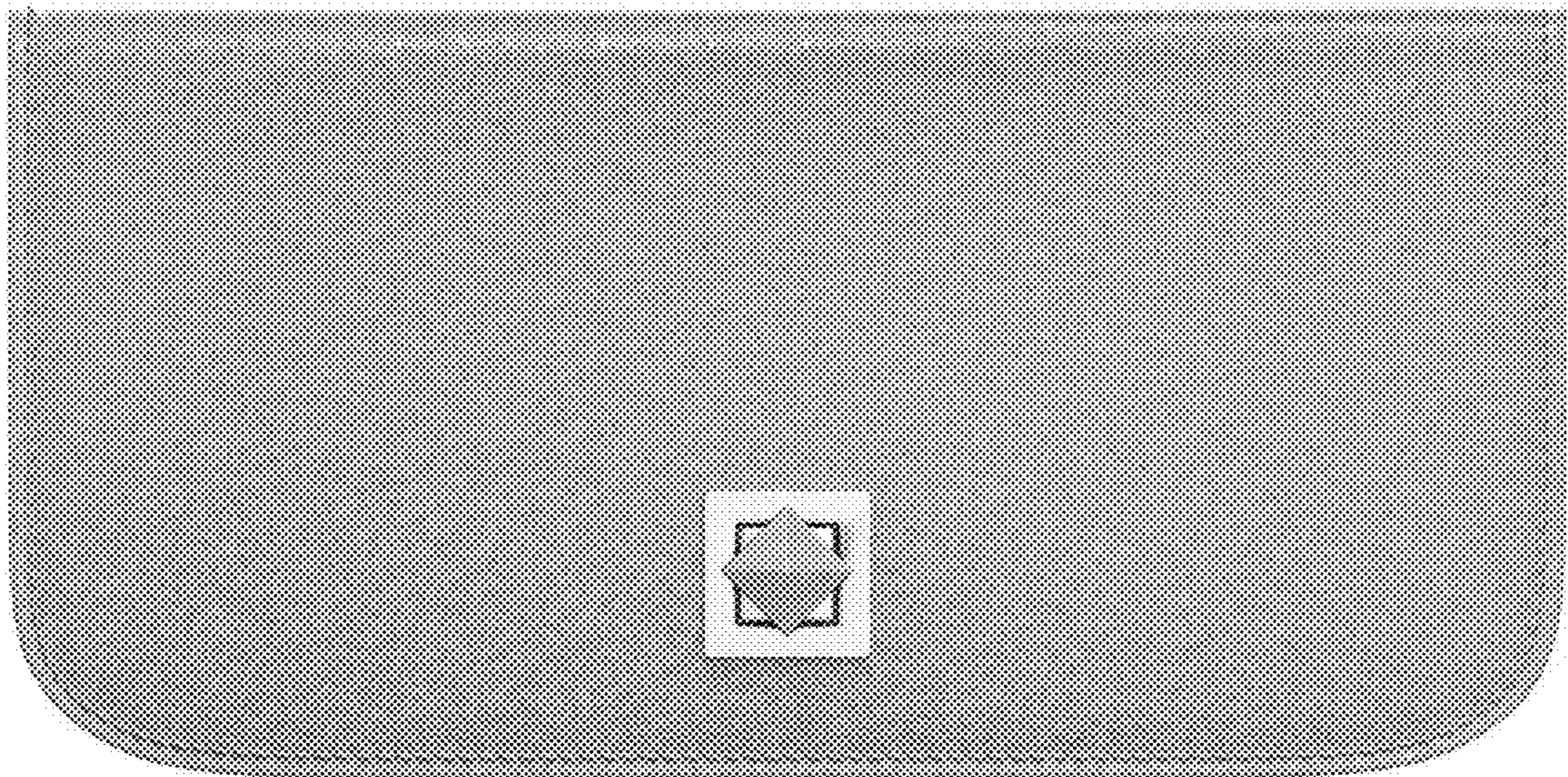
Valentino, Vavavoom Bag and Garavani Clutch (Year: 2022).

\* cited by examiner

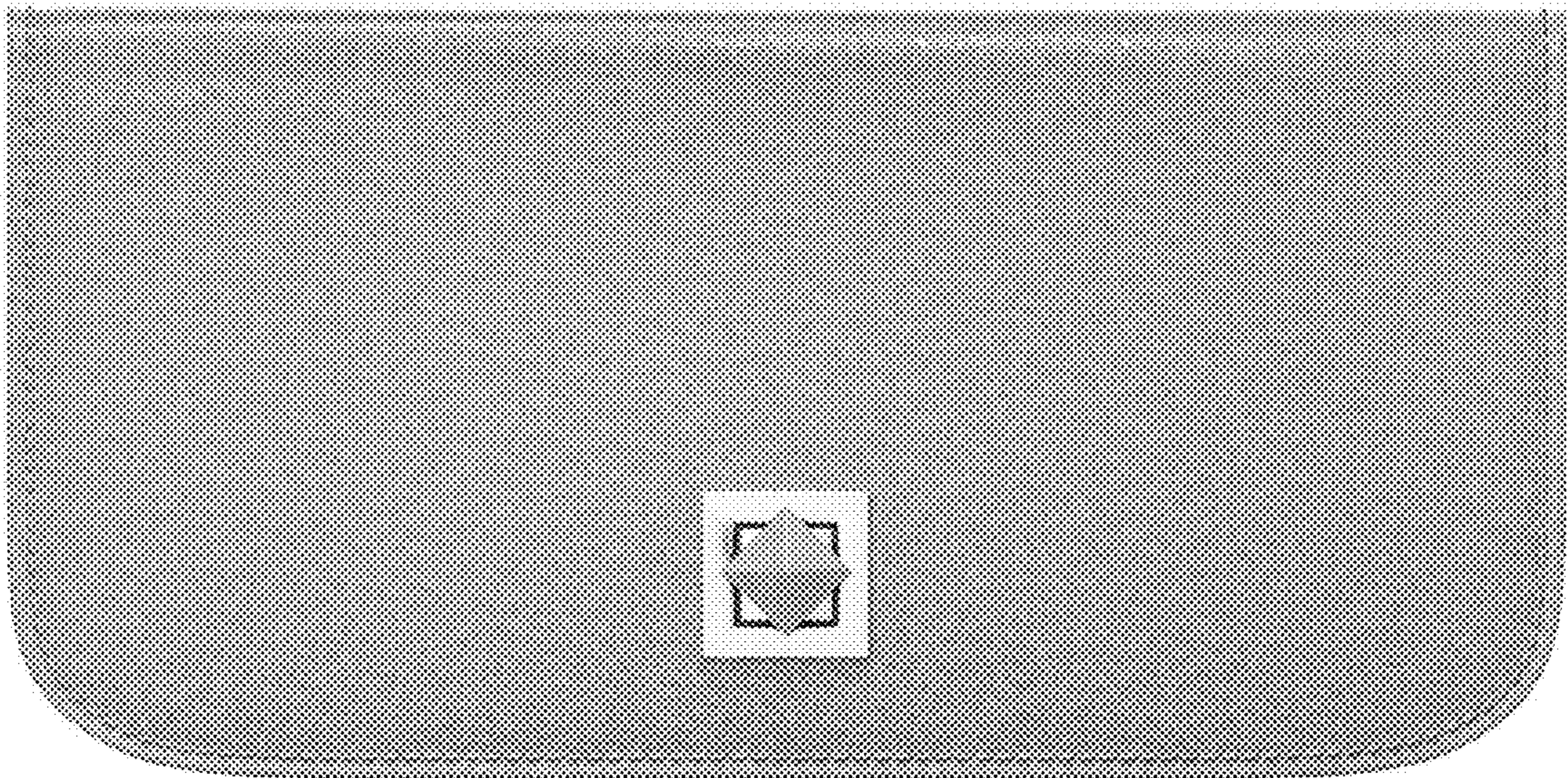
1.1



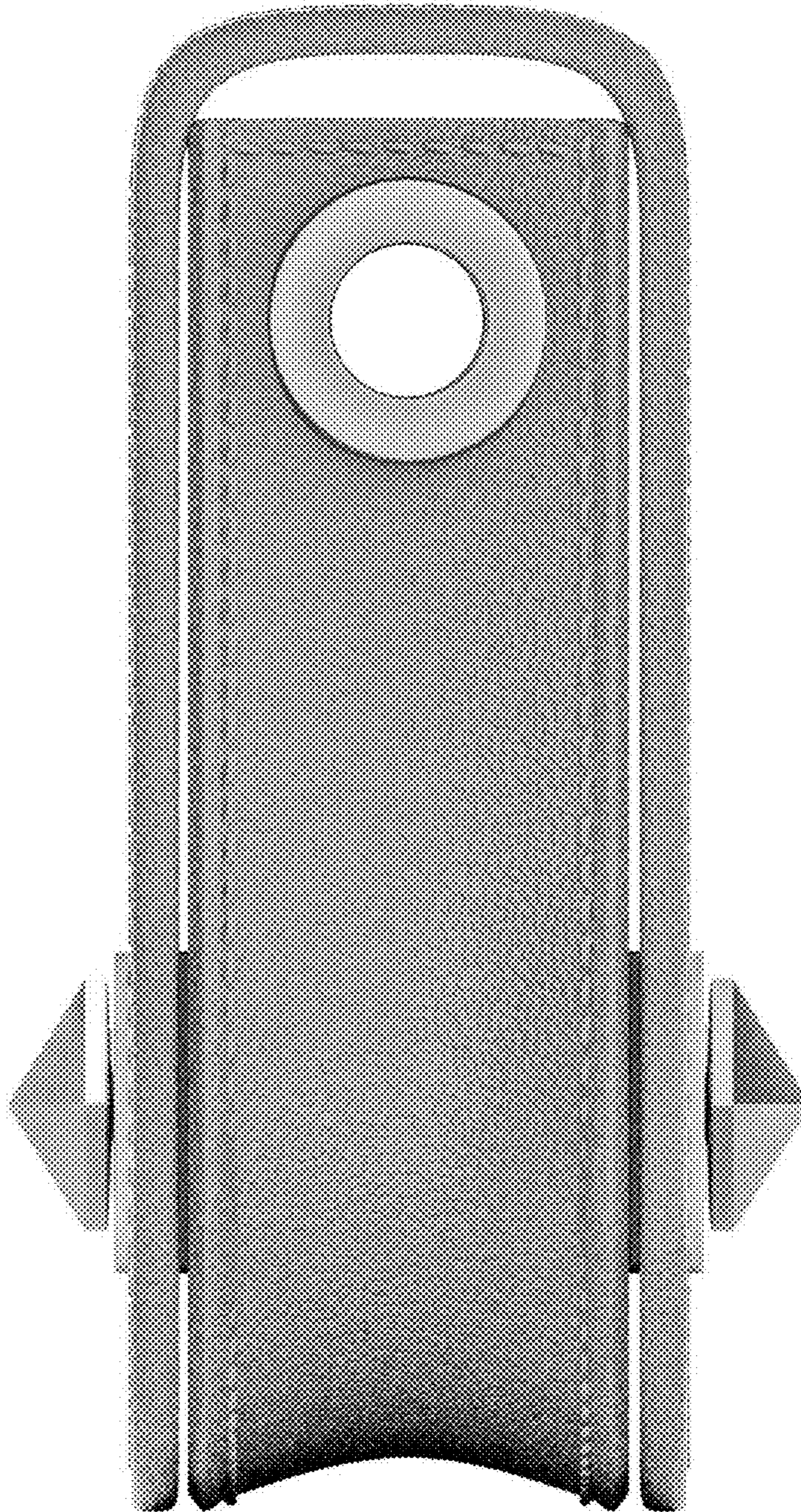
1.2



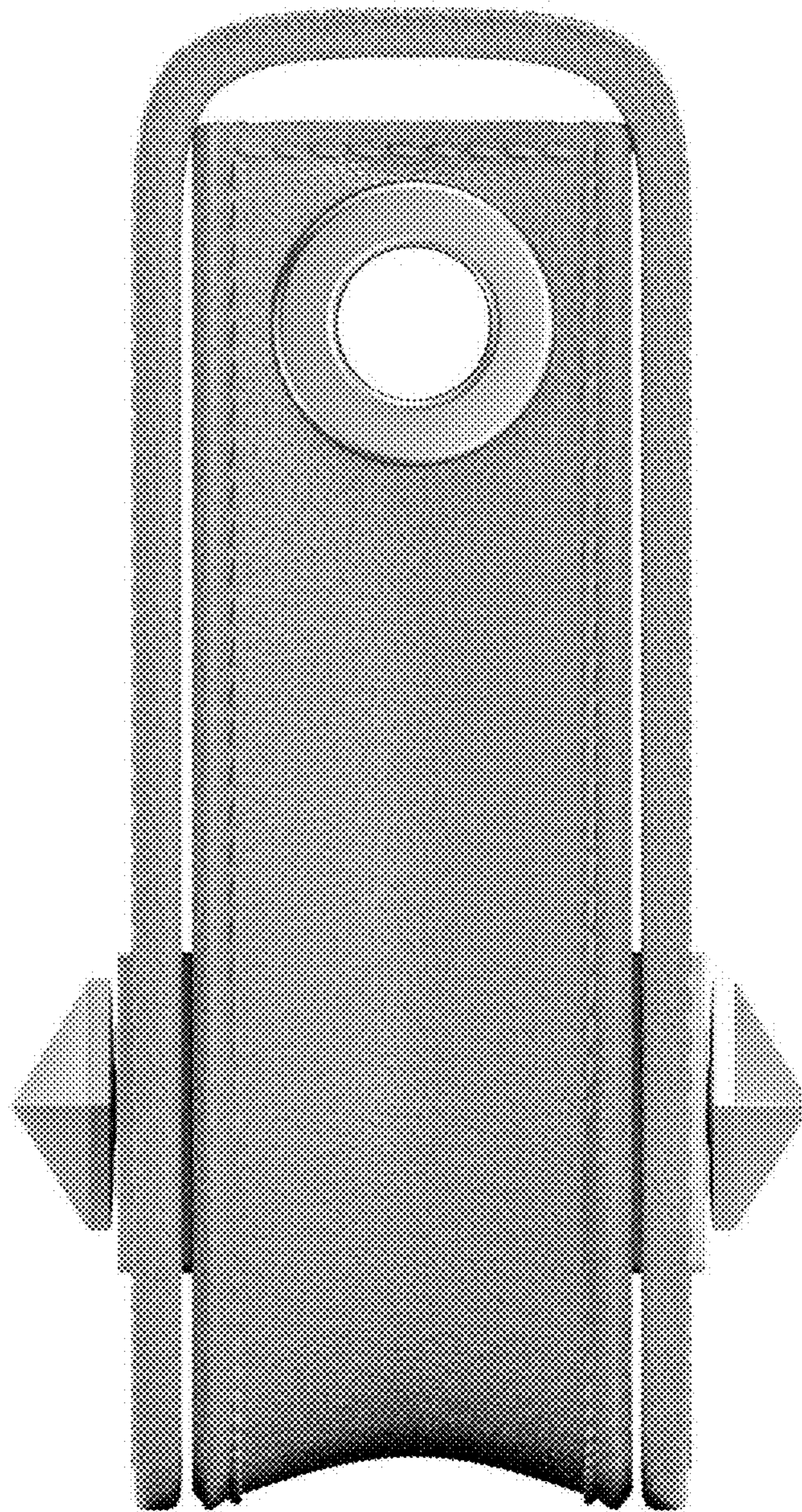
1.3



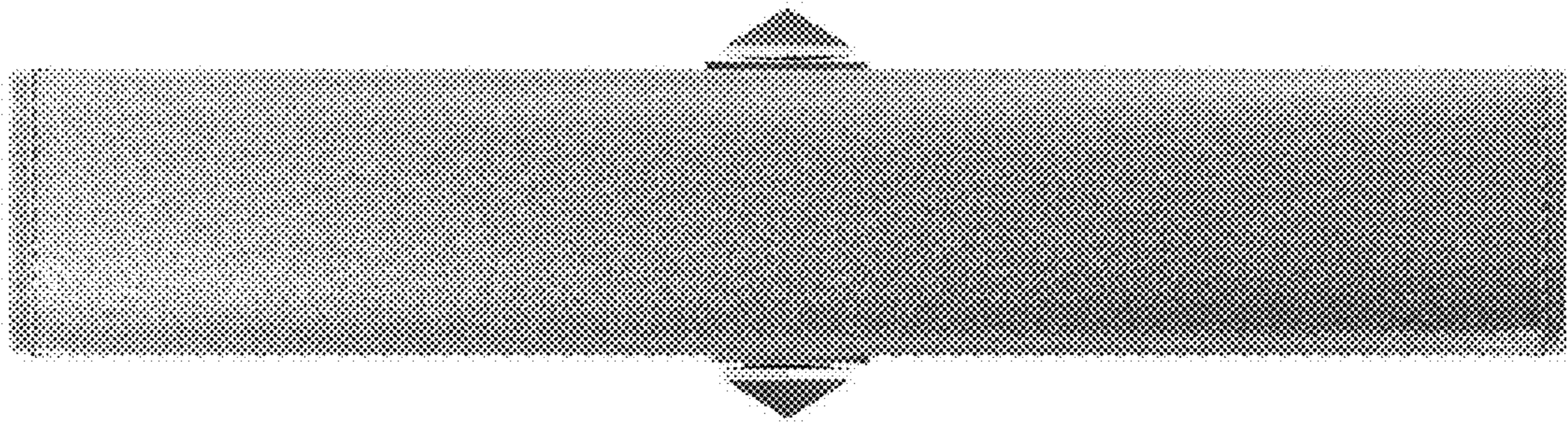
1.4



1.5

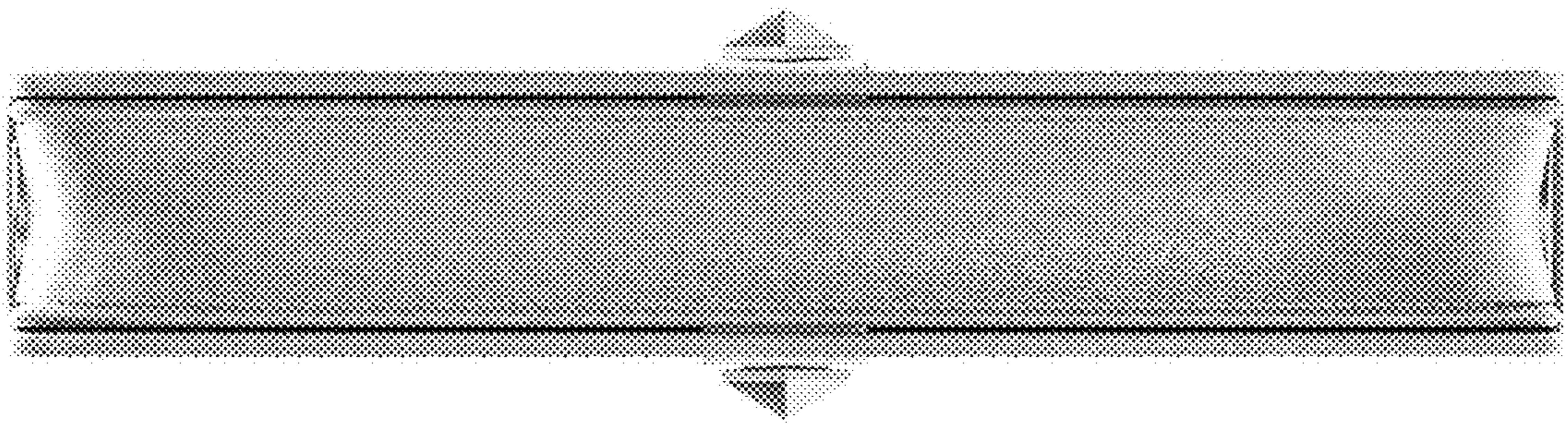


1.6





1.7



1.8

