



US00D952332S

(12) **United States Design Patent**
Moultrie

(10) **Patent No.:** **US D952,332 S**

(45) **Date of Patent:** **** May 24, 2022**

(54) **HOLSTER CONNECTION**

(71) Applicant: **SHTF GEAR LLC**, Logan, UT (US)

(72) Inventor: **Clay Thomas Moultrie**, Hyrum, UT (US)

(73) Assignee: **SHTF GEAR LLC**, Logan, UT (US)

(**) Term: **15 Years**

(21) Appl. No.: **29/699,655**

(22) Filed: **Jul. 26, 2019**

(51) **LOC (13) Cl.** **03-01**

(52) **U.S. Cl.**
USPC **D3/222**

(58) **Field of Classification Search**
USPC D3/222; D25/38.1, 40
CPC F41C 33/048; F41C 33/0254;
F41C 33/0272; F41C 33/0263; F41C
33/0236; F42B 39/02

See application file for complete search history.

(56) **References Cited**

U.S. PATENT DOCUMENTS

D414,331 S *	9/1999	Lichtenberger	D3/228
D713,547 S *	9/2014	Nicolosi	D25/38.1
D865,221 S *	10/2019	Deen	D25/38.1
D903,308 S *	12/2020	Xu	D3/222
D907,738 S *	1/2021	Fischer	D22/108
2016/0025451 A1 *	1/2016	Morgan	F41C 33/0236
				224/198
2020/0116455 A1 *	4/2020	Haggart	F42B 39/02

OTHER PUBLICATIONS

The Reckoning System . . . <https://www.crossbreedholsters.com/the-reckoning-system.html> (Year: 2020).*

Black Arch Entrada Appendix Carry Holsters . . . <https://www.amazon.com/Black-Arch-Entrada-Appedix-Holsters/dp/B07ZHL969J> (Year: 2020).*

<https://centsationalstyle.com/2019/06/architectural-trend-statted-wood/> (Year: 2019).*

https://boutiquetrip.com/products/boraii-inc-od-green-carbon-fiber-flat-dark-earth-kydex-iwb-appendix-carry-holster-choose-model?variant_id=264723 (Year: 2022).*

https://www.amazon.com/BLACKHAWK_Stache-IWB-Glock-PREM-Kit/dp/B08TYJQPJ8/ref=sr_1_25?keywords=appendix+carry+holster&qid=1648407228&sr=8-25 (Year: 2021).*

* cited by examiner

Primary Examiner — Catherine R Oliver-Garcia

(74) *Attorney, Agent, or Firm* — Project CIP; Preston P. Frischknecht

(57) **CLAIM**

The ornamental design for a holster connection, as shown and described.

DESCRIPTION

FIG. 1 is a front perspective view of a holster connection showing the new design;

FIG. 2 is a front elevation view thereof;

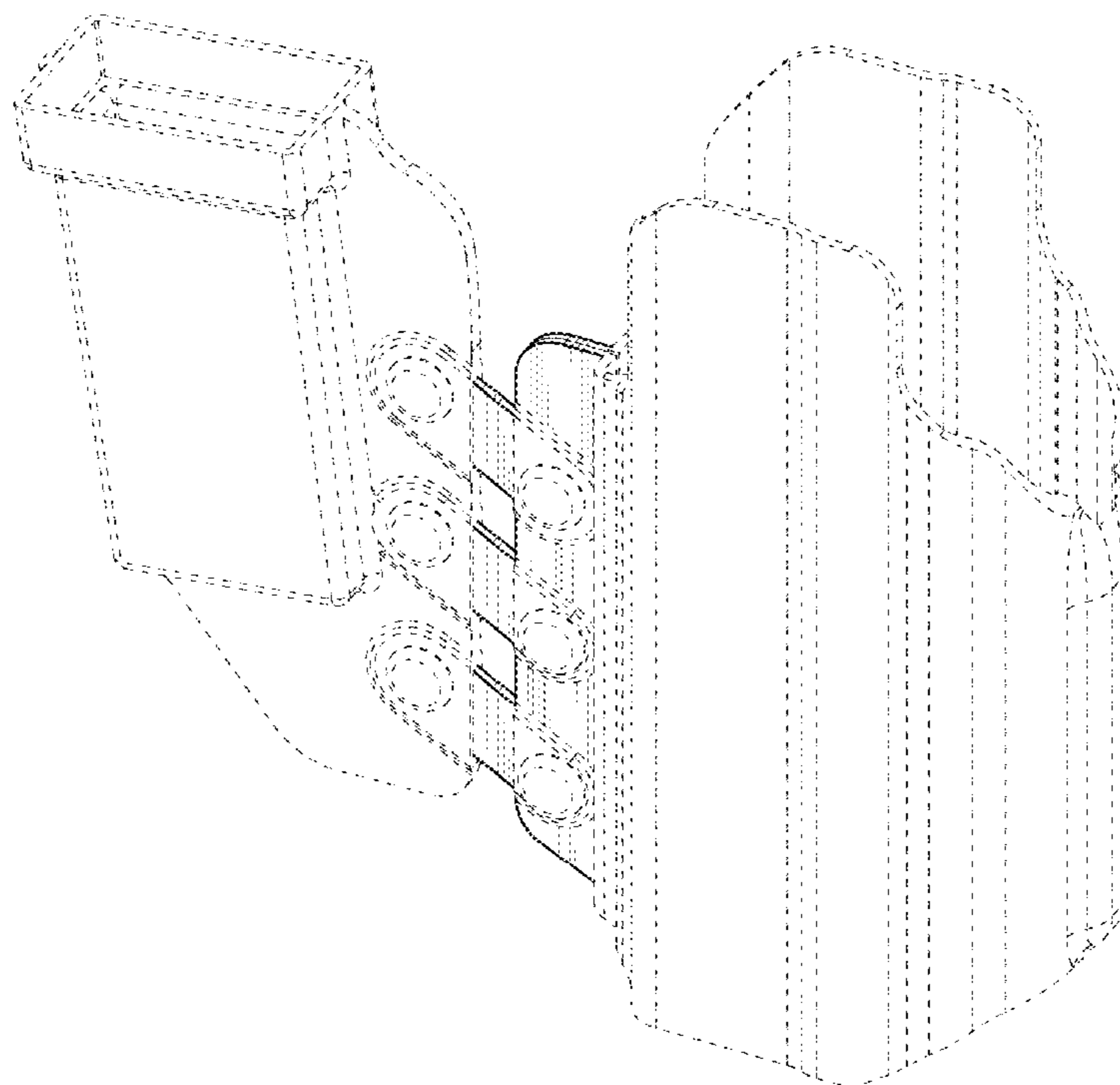
FIG. 3 is a rear elevation view thereof;

FIG. 4 is a top plan view thereof; and,

FIG. 5 is a bottom plan view thereof.

The broken line showing of portions of the holster connection is included for illustrating environmental structure and forms no part of the claimed design.

1 Claim, 4 Drawing Sheets



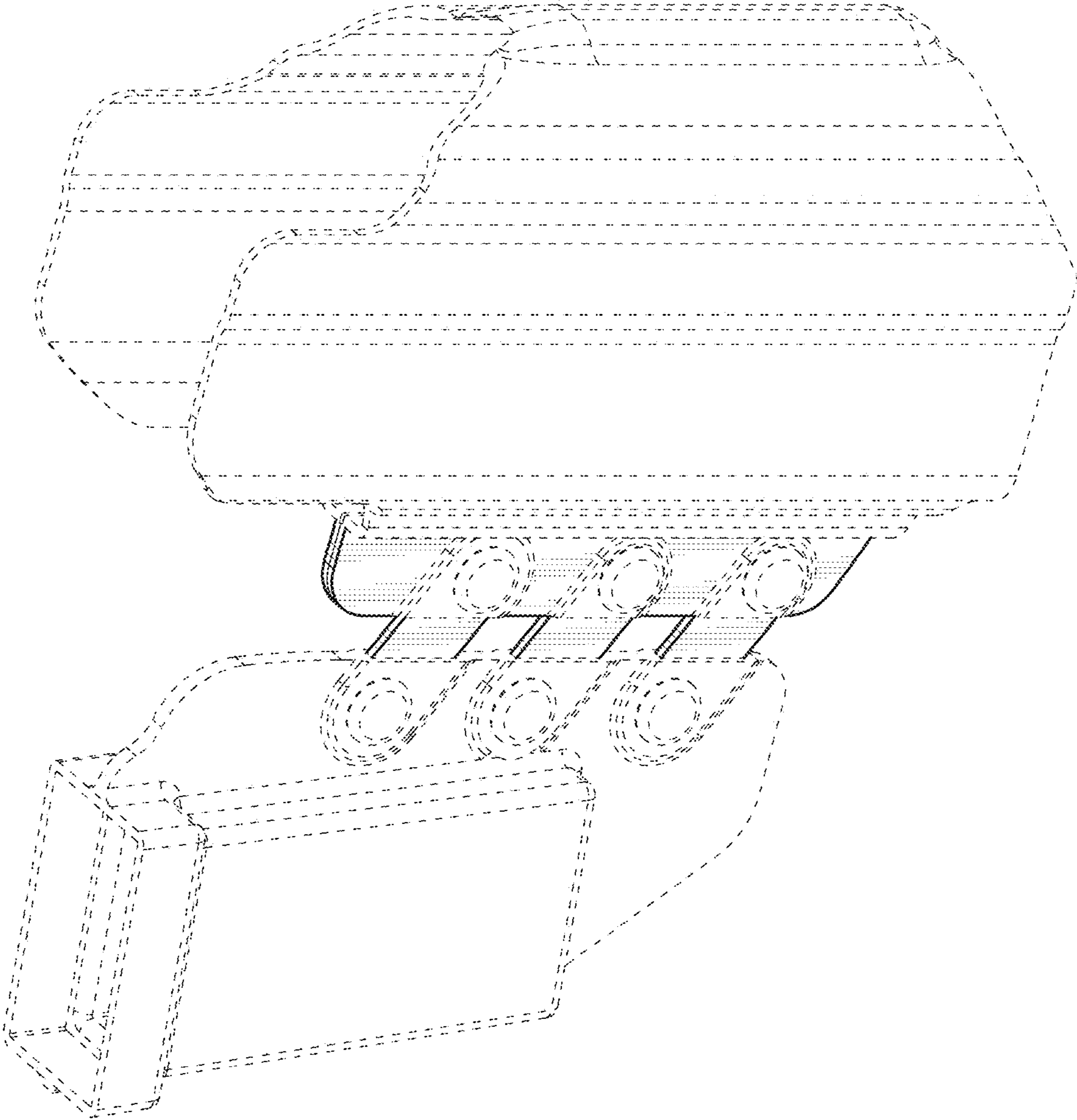


FIG. 1

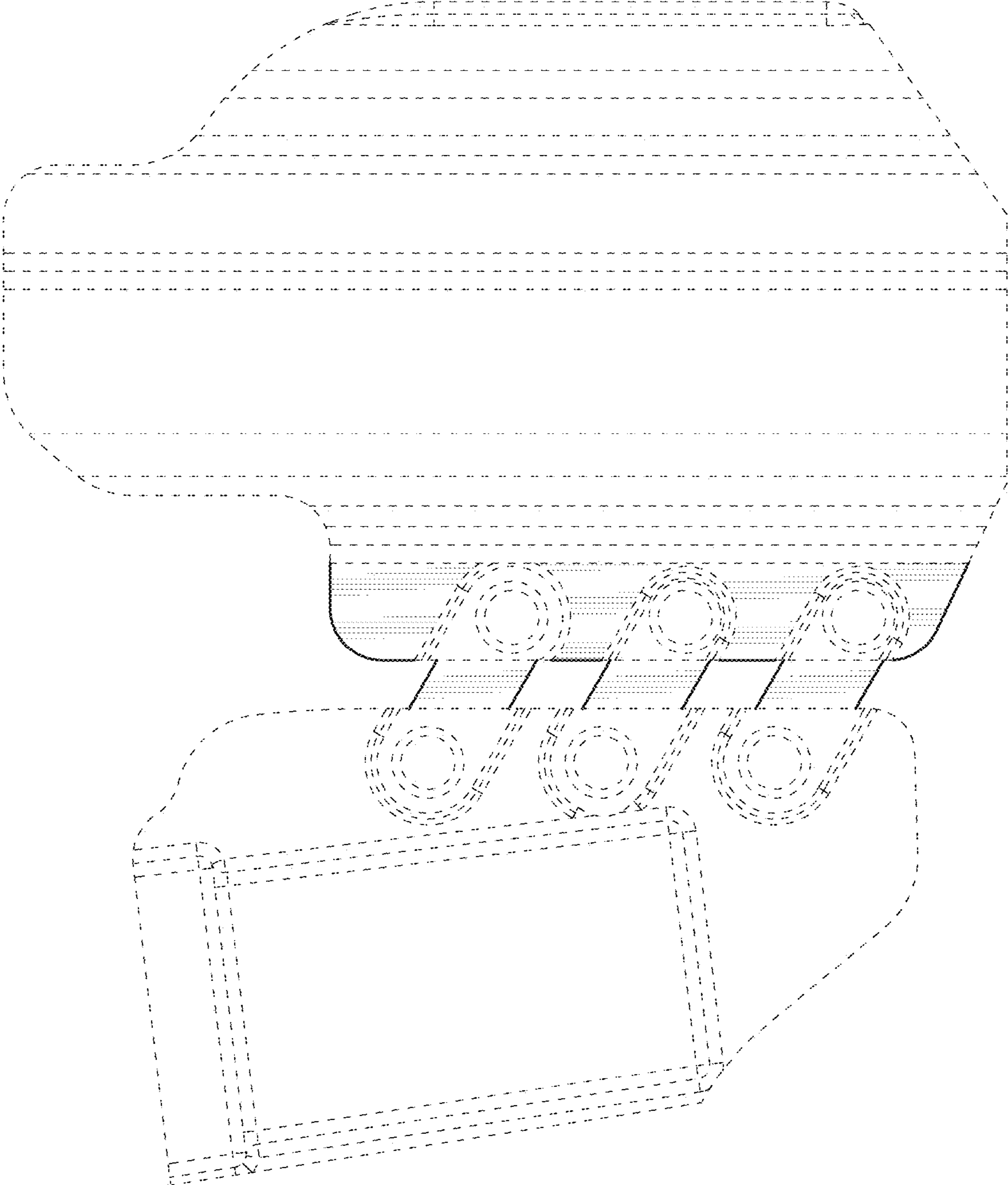


FIG. 2

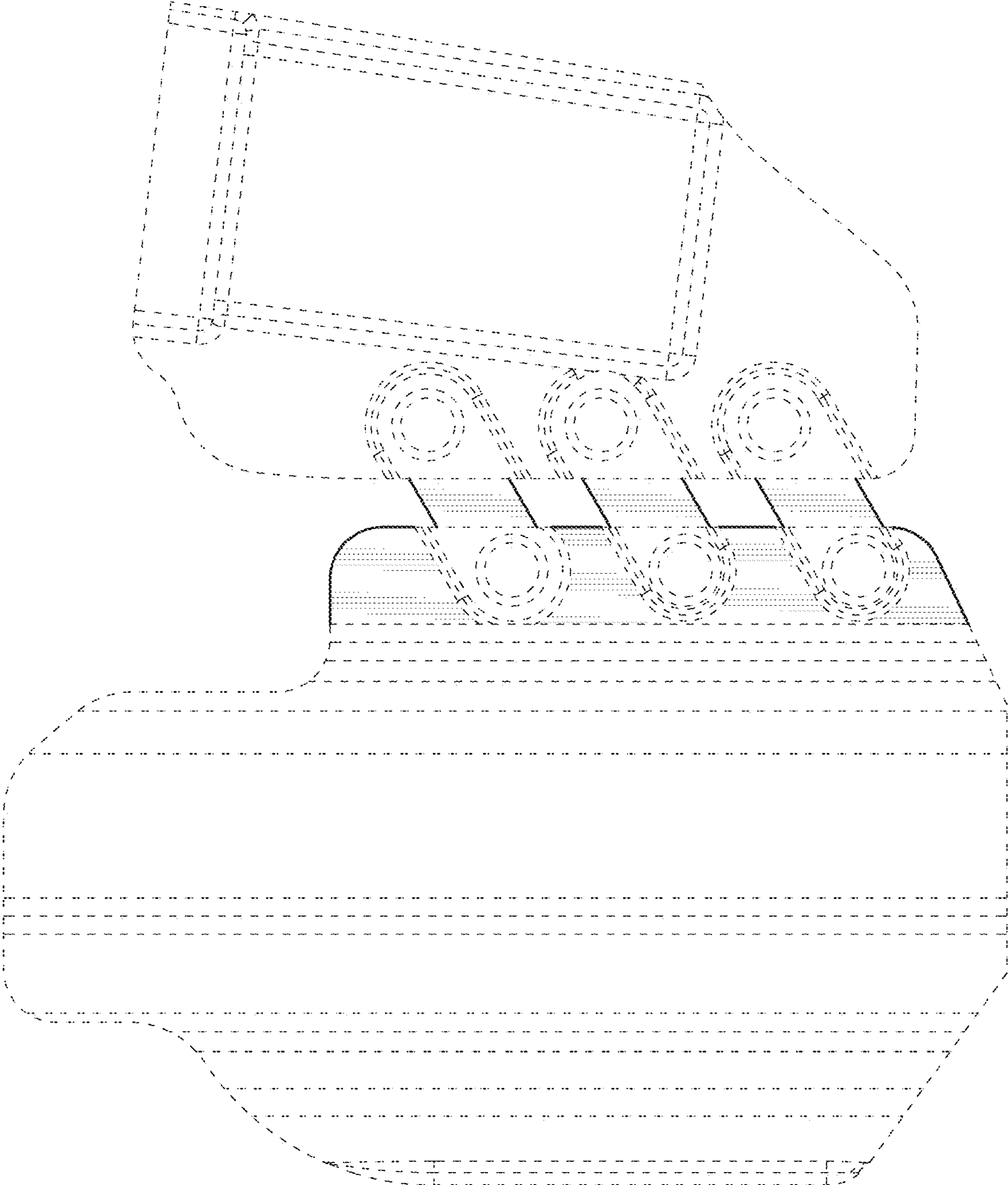


FIG. 3

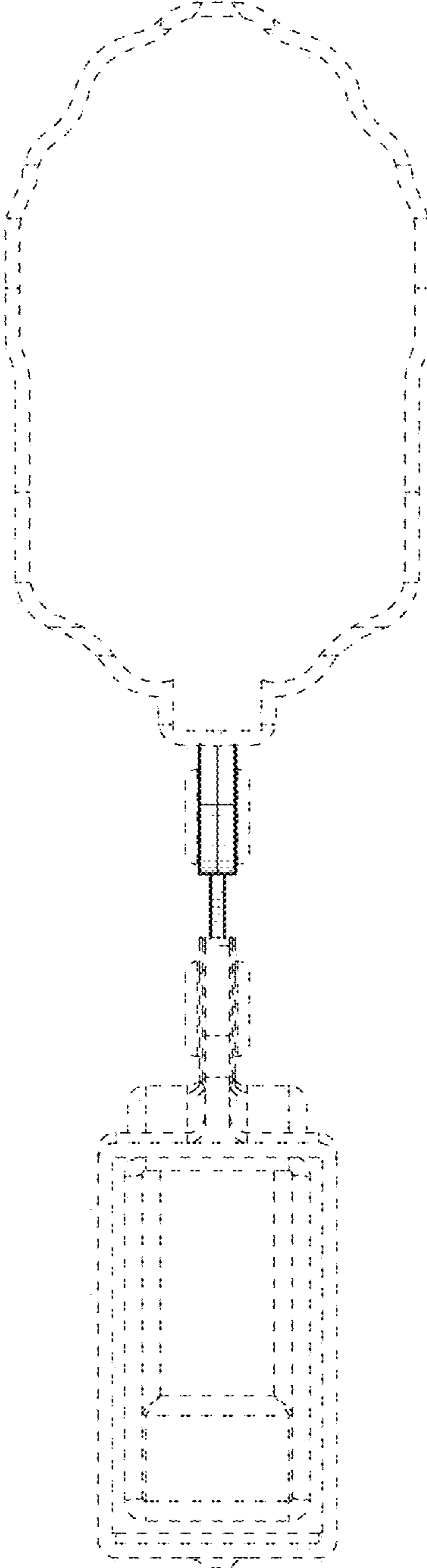


FIG. 4

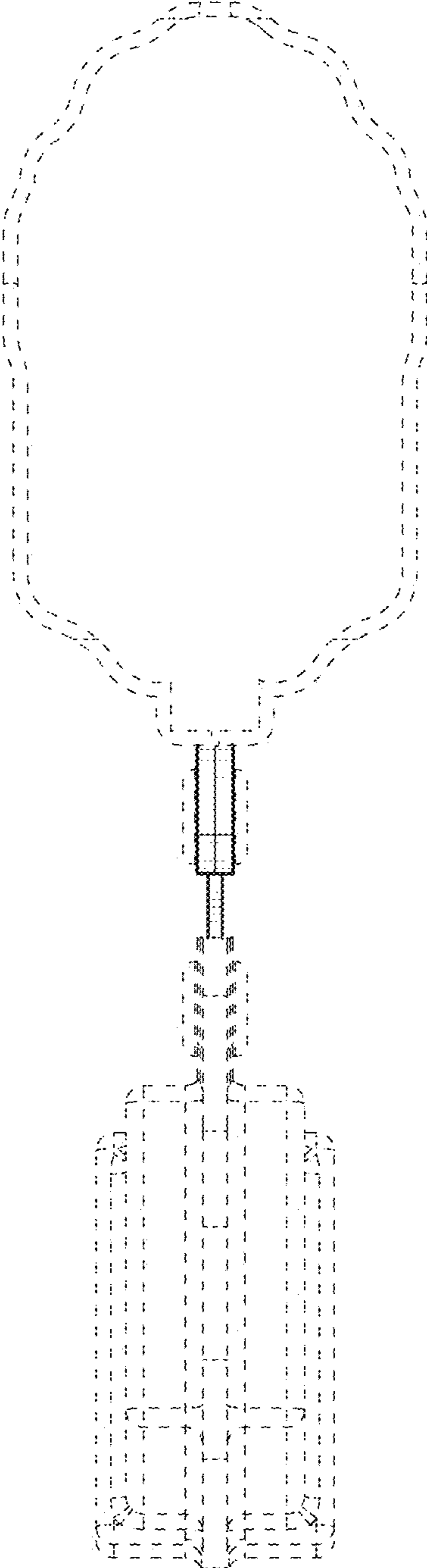


FIG. 5