



US00D952330S

(12) **United States Design Patent** (10) **Patent No.:** **US D952,330 S**
Long (45) **Date of Patent:** **** May 24, 2022**

(54) **CELL PHONE HOLSTER**
(71) Applicant: **Manna Long**, Shenzhen (CN)
(72) Inventor: **Manna Long**, Shenzhen (CN)
(**) Term: **15 Years**
(21) Appl. No.: **29/778,172**
(22) Filed: **Apr. 12, 2021**
(51) **LOC (13) Cl.** **03-01**
(52) **U.S. Cl.**
USPC **D3/218**
(58) **Field of Classification Search**
USPC D3/218, 215, 201, 219, 228, 269, 301
CPC .. A45F 5/02; A45F 5/021; A45F 5/022; A45F
2005/00; A45F 2005/02; A45F
2200/0516; A45F 2200/0591; A45F 3/02;
A45F 3/14
See application file for complete search history.

D891,760 S * 8/2020 Eremita D3/218
D917,876 S * 5/2021 Yang D3/218
D923,931 S * 7/2021 Yang D3/218
2008/0149679 A1* 6/2008 Case A45F 5/021
224/666
2010/0288804 A1* 11/2010 Youssefi-Shams A45F 5/021
224/199
2014/0263520 A1* 9/2014 Hamilton A45F 5/021
224/660
2015/0237998 A1* 8/2015 Stevens, IV A45F 5/021
224/660
2016/0051039 A1* 2/2016 Merzon A45F 5/021
224/269

* cited by examiner

Primary Examiner — Catherine R Oliver-Garcia
(74) *Attorney, Agent, or Firm* — Rumit Ranjit Kanakia

(57) **CLAIM**

I claim the ornamental design for a cell phone holster, as shown and described.

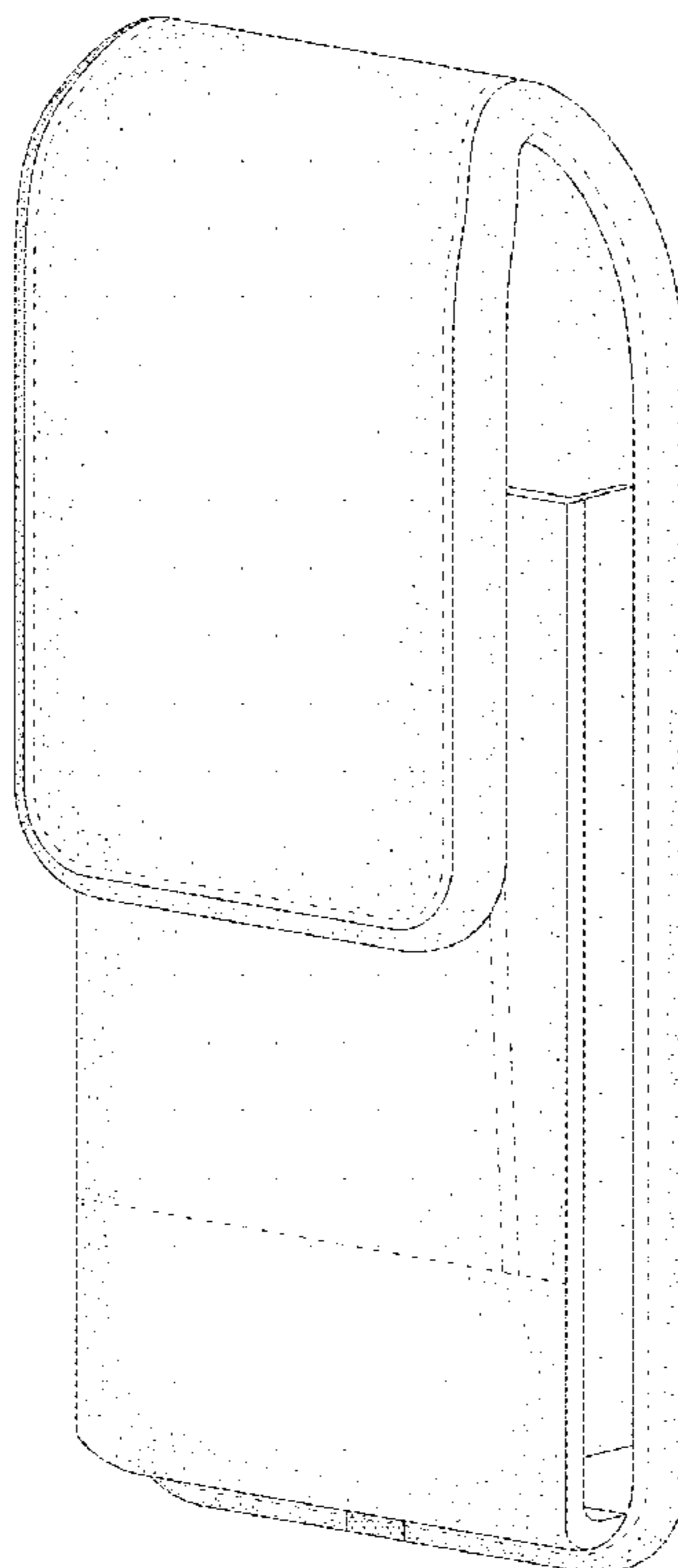
DESCRIPTION

FIG. 1 is a front right perspective view of a cell phone holster showing my new design;
FIG. 2 is a front elevation view thereof;
FIG. 3 is a rear elevation view thereof;
FIG. 4 is a right-side elevation view thereof;
FIG. 5 is a left-side elevation view thereof;
FIG. 6 is a bottom plan view thereof;
FIG. 7 is a top plan view thereof; and,
FIG. 8 is a front left perspective view shown in an open position.
The broken lines shown on the cell phone holster represent top stitching.

1 Claim, 7 Drawing Sheets

(56) **References Cited**
U.S. PATENT DOCUMENTS

D495,873 S 9/2004 Badillo et al.
D533,341 S 12/2006 Infanti et al.
D619,356 S * 7/2010 Hillman D3/218
D631,246 S * 1/2011 Boettner D3/218
D637,393 S 5/2011 Stampfli
D740,548 S 10/2015 Hassler et al.
D773,176 S * 12/2016 Boyd D3/218
D782,816 S * 4/2017 Boyd D3/218
D819,960 S 6/2018 Zhang
D822,989 S 7/2018 Persson
D880,149 S * 4/2020 Yang D3/226



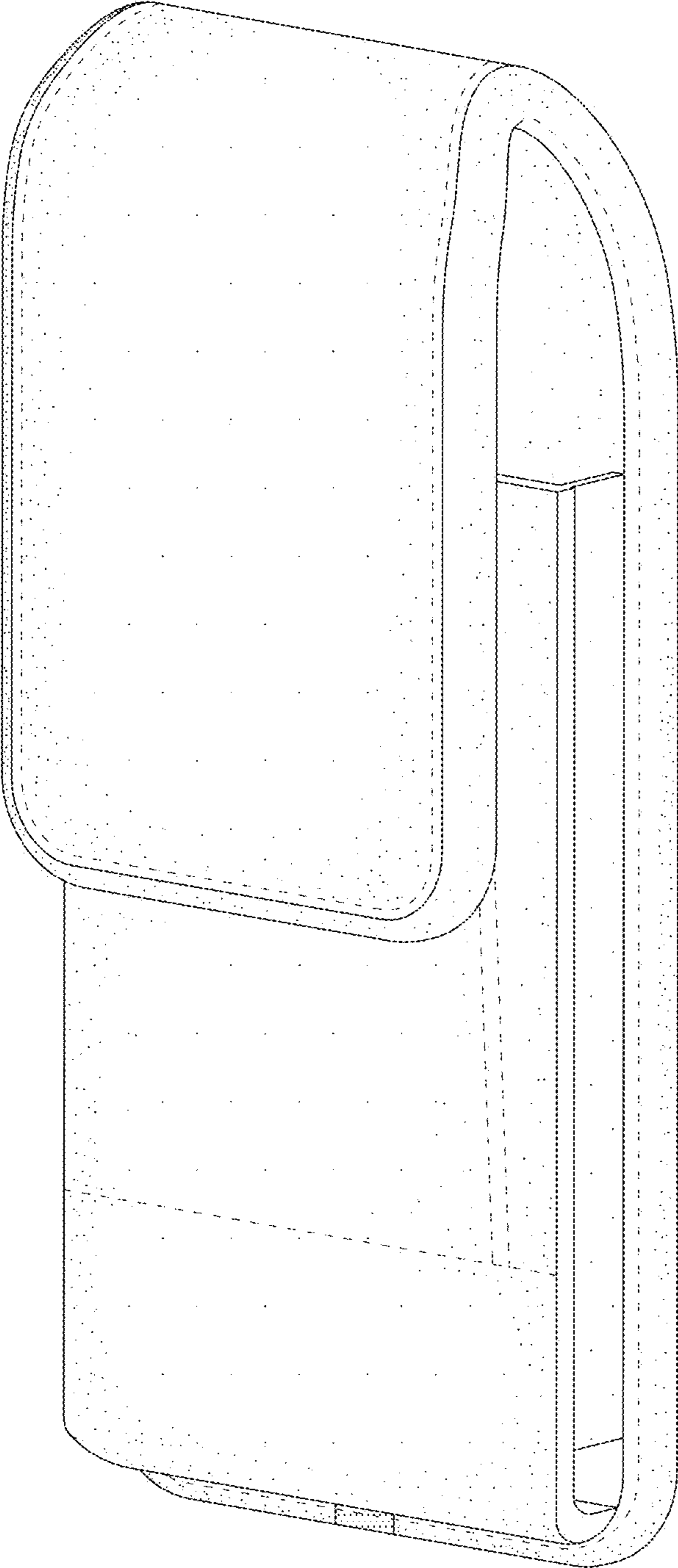


FIG. 1

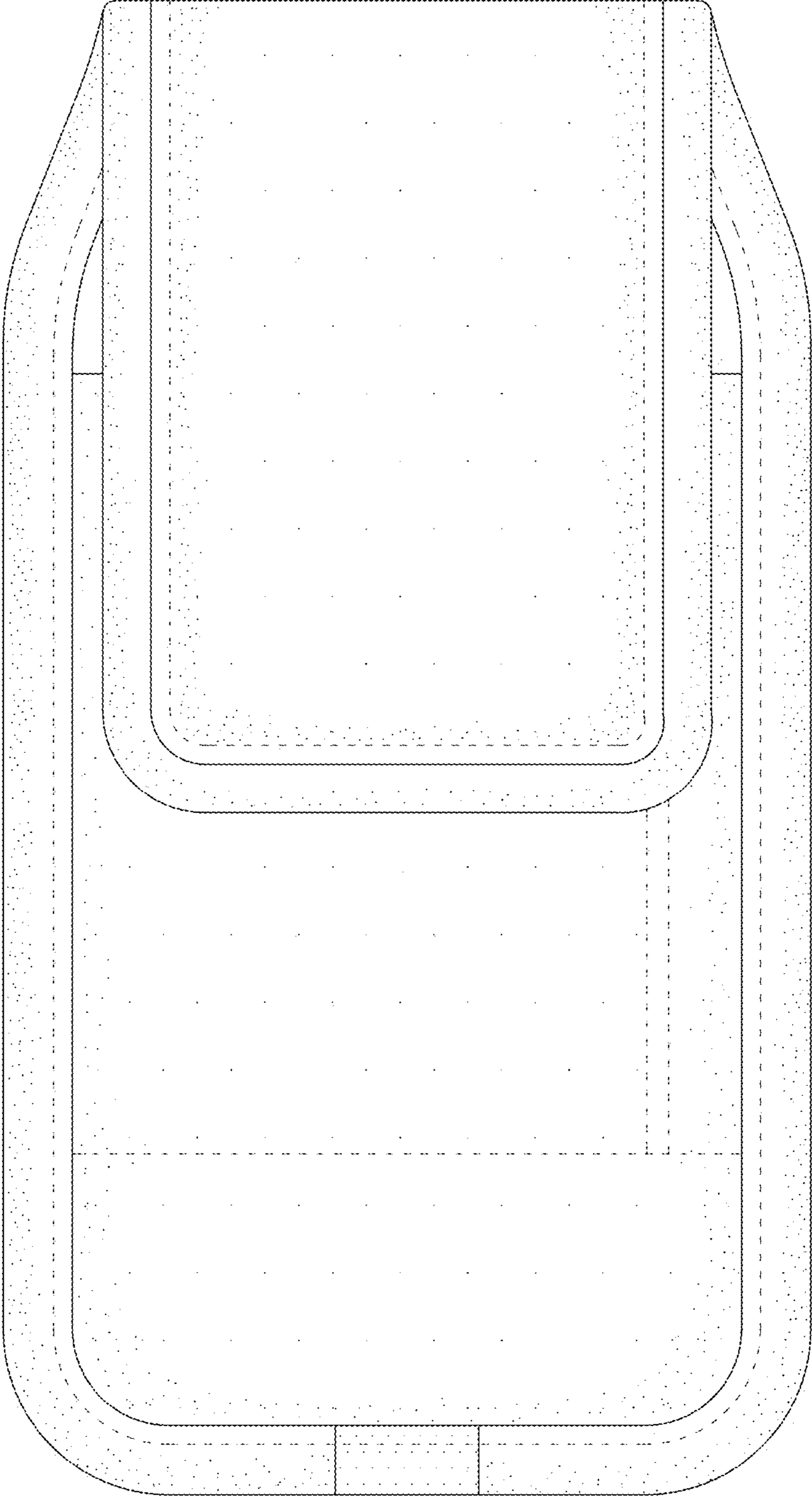


FIG. 2

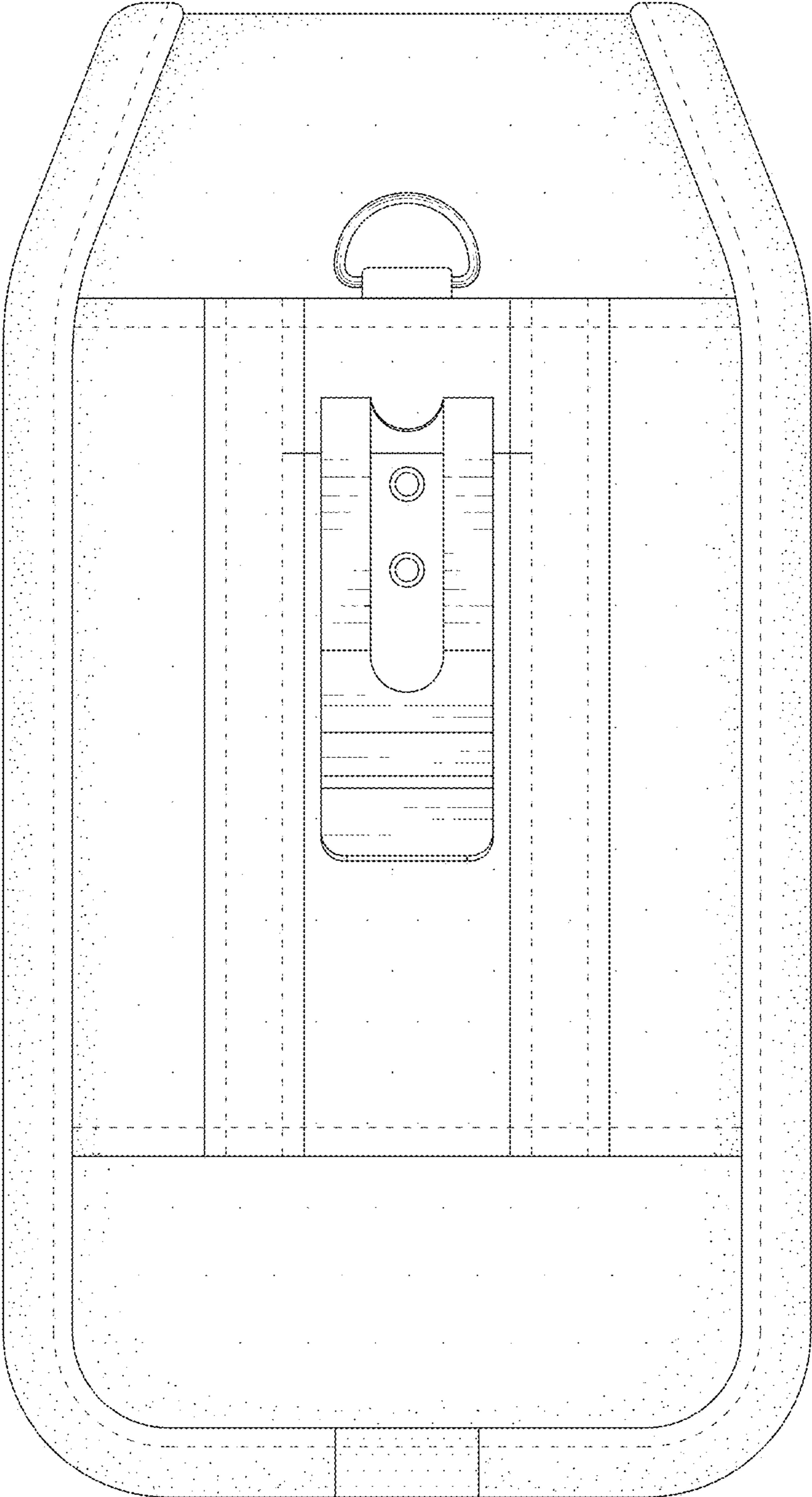


FIG. 3

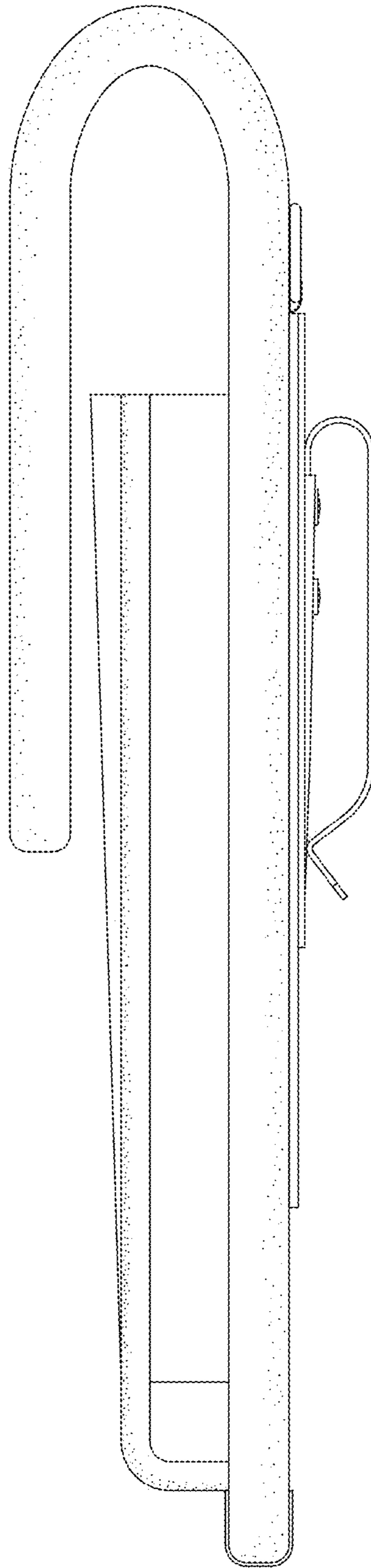


FIG. 4

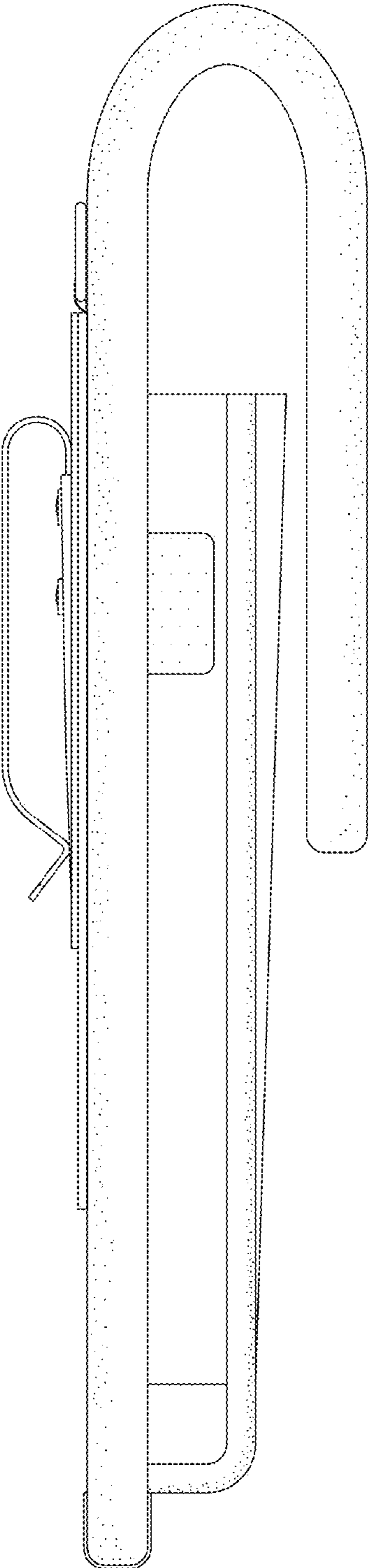


FIG. 5

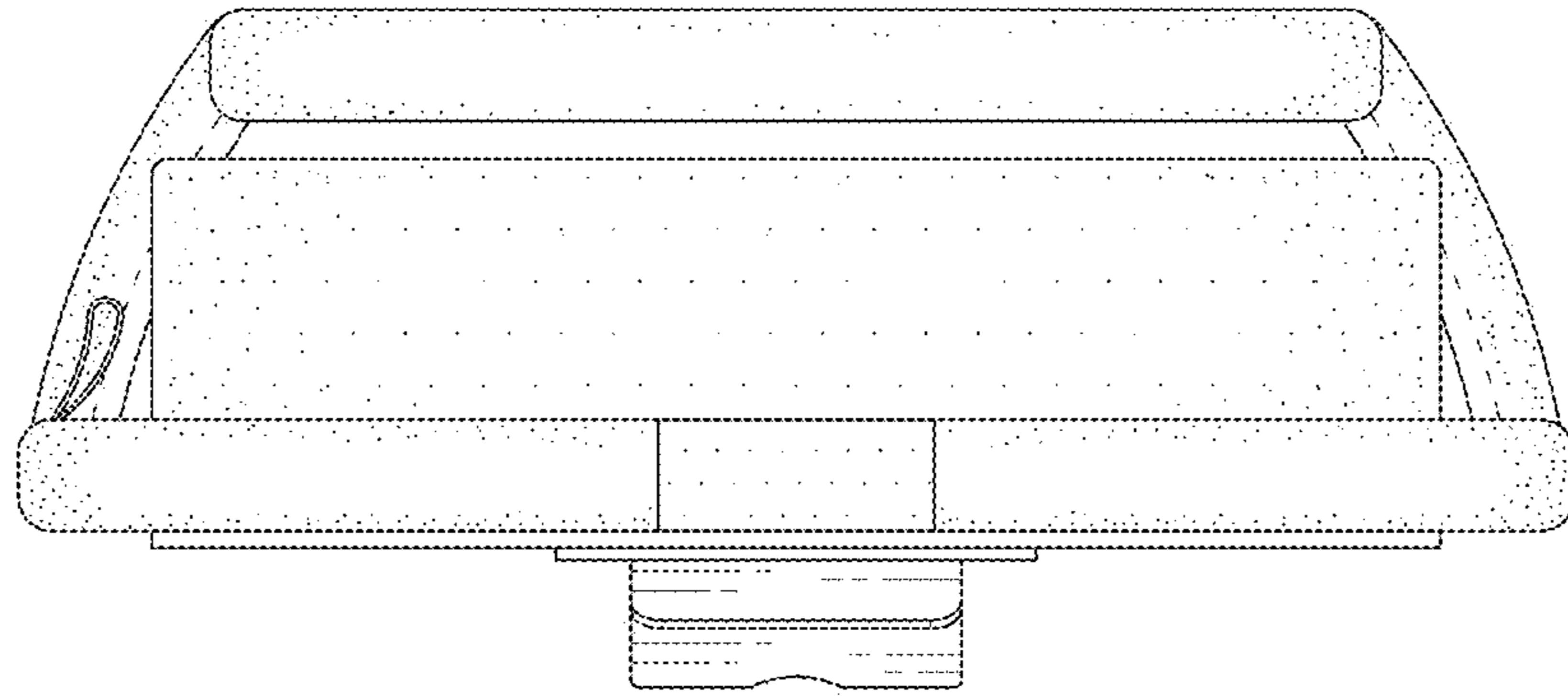


FIG. 6

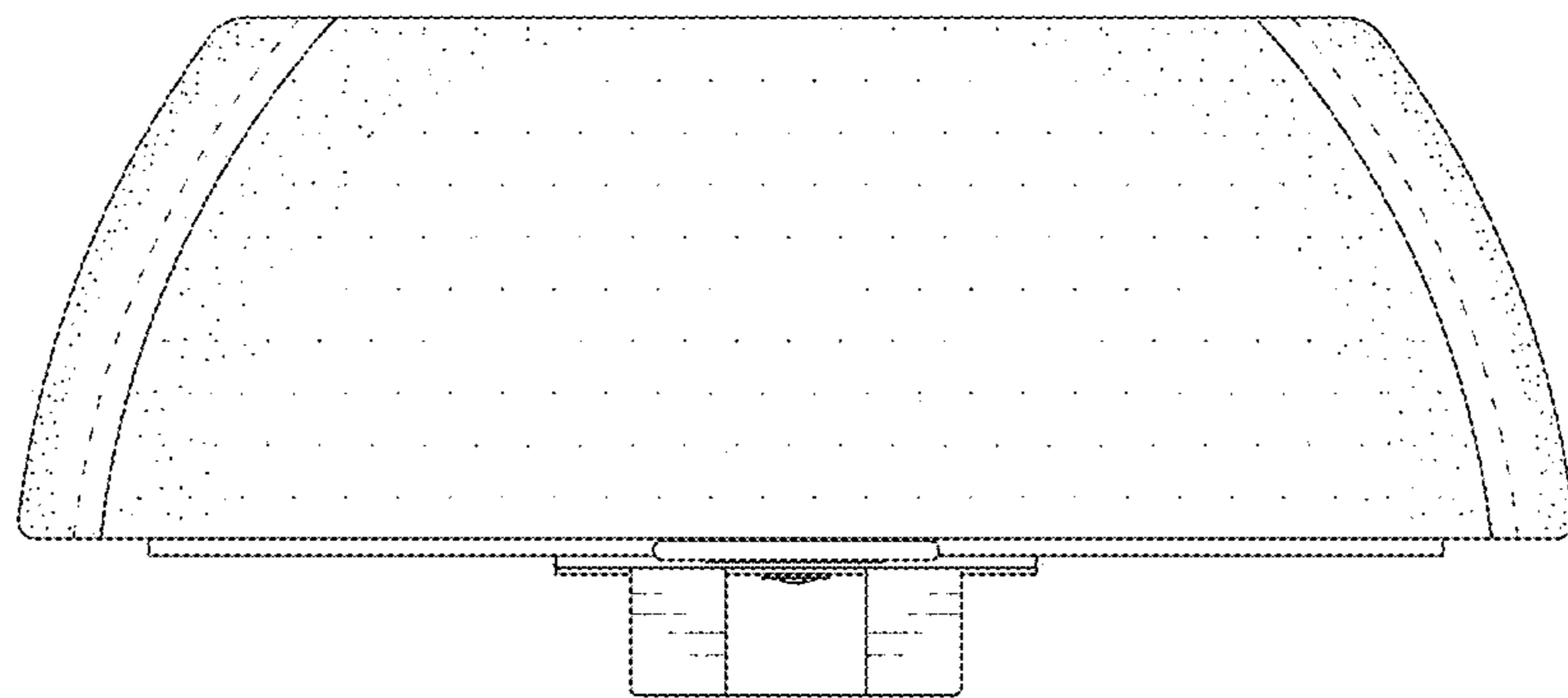


FIG. 7

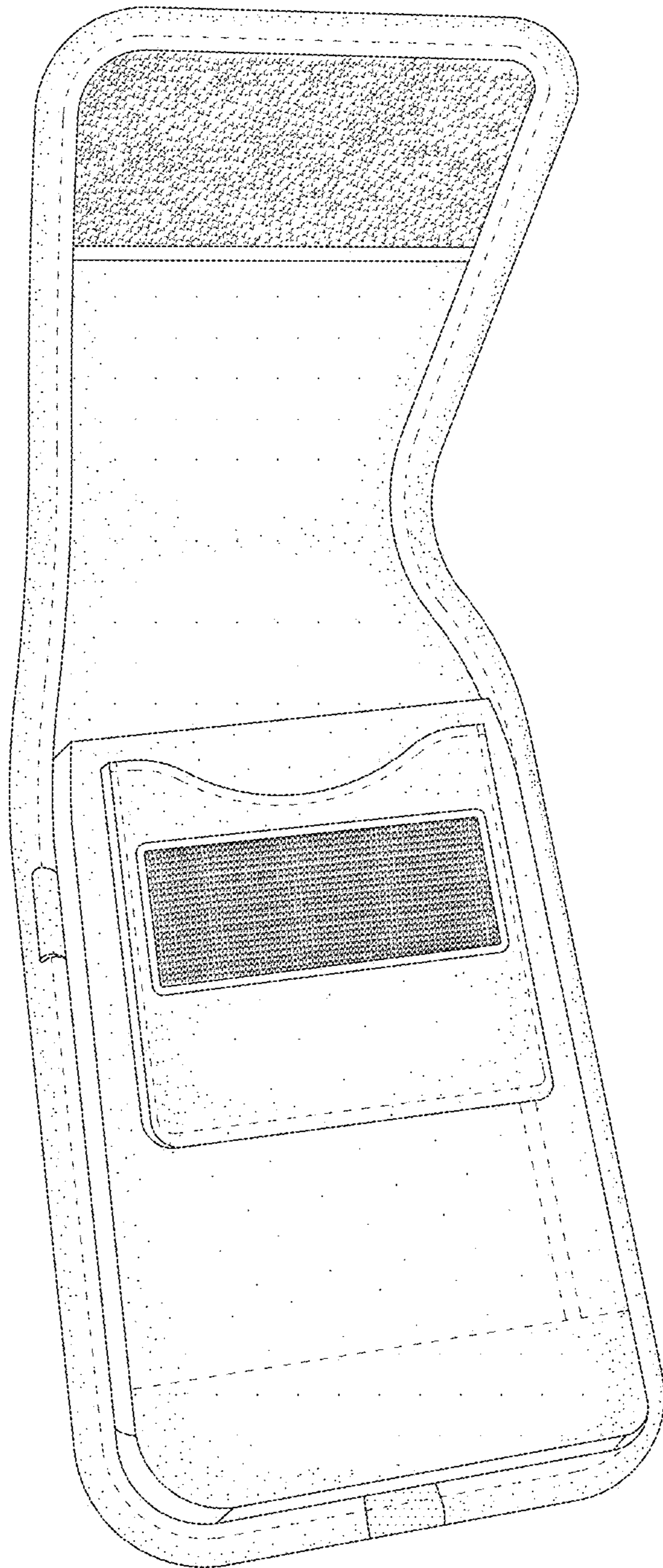


FIG. 8