



US00D952329S

(12) **United States Design Patent**  
**Akana et al.**

(10) **Patent No.:** **US D952,329 S**  
(45) **Date of Patent:** **\*\* May 24, 2022**

(54) **CASE**

(71) Applicant: **Apple Inc.**, Cupertino, CA (US)

(72) Inventors: **Jody Akana**, San Francisco, CA (US); **Molly Anderson**, San Francisco, CA (US); **Bartley K. Andre**, Palo Alto, CA (US); **Shota Aoyagi**, San Francisco, CA (US); **Anthony Michael Ashcroft**, San Francisco, CA (US); **Marine C. Bataille**, San Francisco, CA (US); **Jeremy Bataillou**, San Francisco, CA (US); **Abidur Rahman Chowdhury**, San Francisco, CA (US); **Clara Geneviève Marine Courtaigne**, Palo Alto, CA (US); **Markus Diebel**, San Francisco, CA (US); **Jonathan Gomez Garcia**, San Francisco, CA (US); **M. Evans Hankey**, San Francisco, CA (US); **Richard P. Howarth**, San Francisco, CA (US); **Jonathan P. Ive**, San Francisco, CA (US); **Julian Jaede**, San Francisco, CA (US); **Duncan Robert Kerr**, San Francisco, CA (US); **Peter Russell-Clarke**, San Francisco, CA (US); **Benjamin Andrew Shaffer**, San Jose, CA (US); **Joe Sung-Ho Tan**, San Francisco, CA (US); **Clement Tissandier**, San Francisco, CA (US); **Eugene Antony Whang**, San Francisco, CA (US)

(73) Assignee: **Apple Inc.**, Cupertino, CA (US)

(\*\*) Term: **15 Years**

(21) Appl. No.: **29/744,904**

(22) Filed: **Jul. 31, 2020**

(51) **LOC (13) Cl.** ..... **03-01**

(52) **U.S. Cl.**  
USPC ..... **D3/218**

(58) **Field of Classification Search**  
USPC ..... D3/218, 215, 224, 226–227, 201, 269,  
D3/300, 303; D14/217, 250–251, 432

CPC .... A45F 5/00; A45F 5/021; A45F 2200/0516;  
A45F 2005/008; A45F 2005/006; A45F  
2200/0508; A45F 5/004; A45F  
2200/0558; A45F 2003/003; B65D 83/08  
See application file for complete search history.

(56) **References Cited**

U.S. PATENT DOCUMENTS

D595,052 S \* 6/2009 Rohrbach ..... D3/269  
D601,799 S \* 10/2009 Andre ..... D3/303  
D704,443 S 5/2014 Curran-Blaney et al.  
(Continued)

OTHER PUBLICATIONS

“Leather Sleeve for 10.5-inch iPad Pro—(PRODUCT)RED,” Apple.com [online], captured by Internet Archive’s Wayback Machine on Apr. 19, 2018, URL: <<https://web.archive.org/web/20180419171404/https://www.apple.com/shop/product/MR5L2ZM/A/leather-sleeve-for-105%E2%80%91inch-ipad-pro-productred>>.

*Primary Examiner* — Catherine R Oliver-Garcia  
(74) *Attorney, Agent, or Firm* — Sterne, Kessler, Goldstein & Fox P.L.L.C.

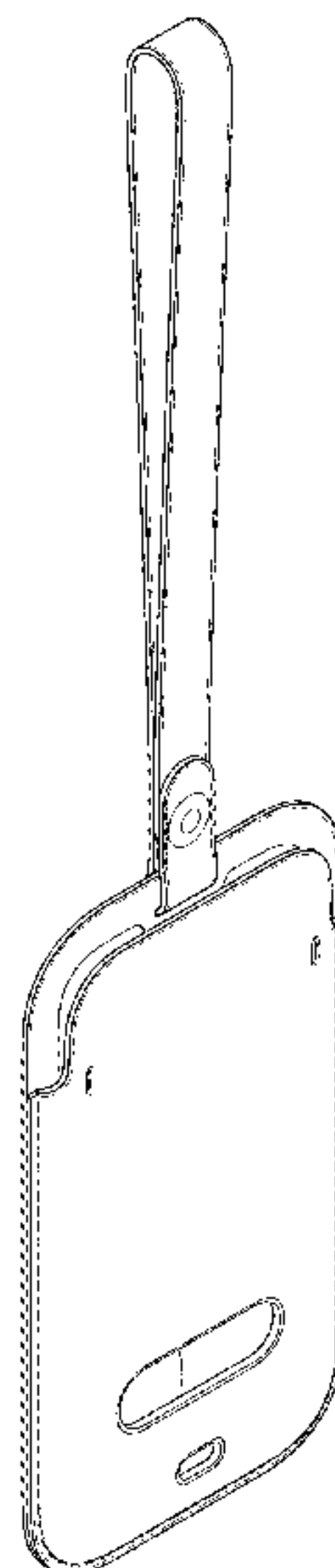
(57) **CLAIM**

The ornamental design for a case, as shown.

**DESCRIPTION**

FIG. 1 is a top front perspective view of a case showing the claimed design;  
FIG. 2 is a bottom rear perspective view thereof;  
FIG. 3 is a front view thereof;  
FIG. 4 is a rear view thereof;  
FIG. 5 is a left side view thereof;  
FIG. 6 is a right side view thereof;  
FIG. 7 is a top view thereof; and,  
FIG. 8 is a bottom view thereof.

**1 Claim, 4 Drawing Sheets**



(56)

**References Cited**

U.S. PATENT DOCUMENTS

D712,147	S	9/2014	Curran-Blaney et al.	
D744,236	S *	12/2015	Turksu .....	D3/300
D782,184	S *	3/2017	Harris .....	D3/218
D782,185	S *	3/2017	Lederer .....	D3/218
D843,108	S *	3/2019	Munson .....	D3/218
D859,820	S *	9/2019	Mouriz .....	D3/218
D873,811	S *	1/2020	Akana .....	D3/300
D909,052	S *	2/2021	Akana .....	D3/218
D912,396	S *	3/2021	Rooker .....	D3/218
D930,978	S *	9/2021	Miceli .....	D3/218
D935,163	S *	11/2021	Uff .....	D2/980
2018/0177284	A1 *	6/2018	Zagorski .....	A45F 5/021
2018/0271265	A1 *	9/2018	Brousseau .....	B25G 3/00
2018/0289139	A1 *	10/2018	Valpey .....	A45F 5/021

\* cited by examiner

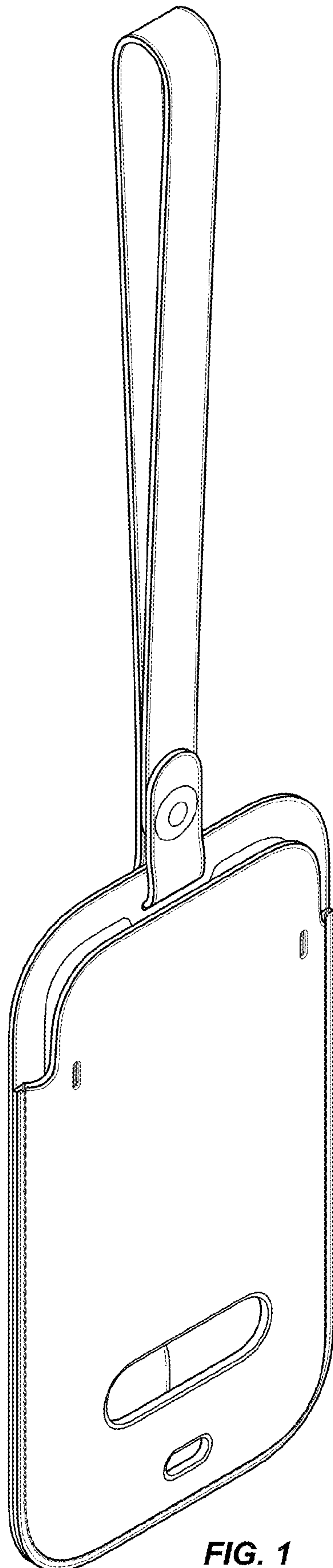
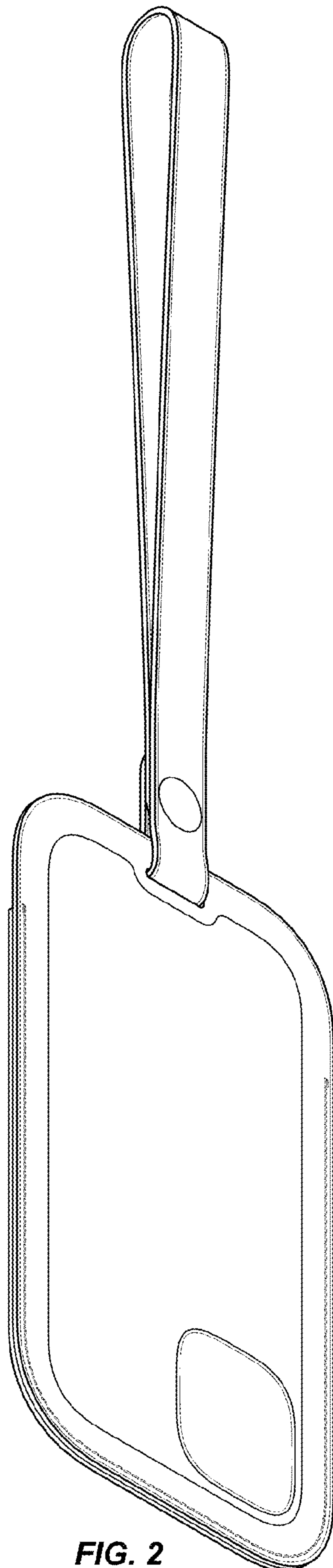


FIG. 1



**FIG. 2**

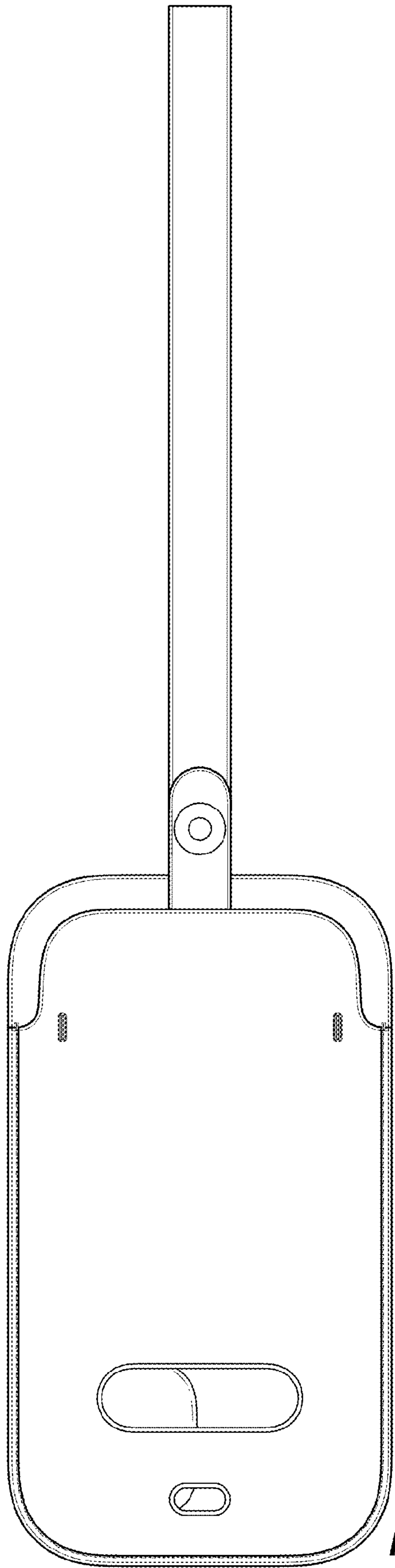


FIG. 3

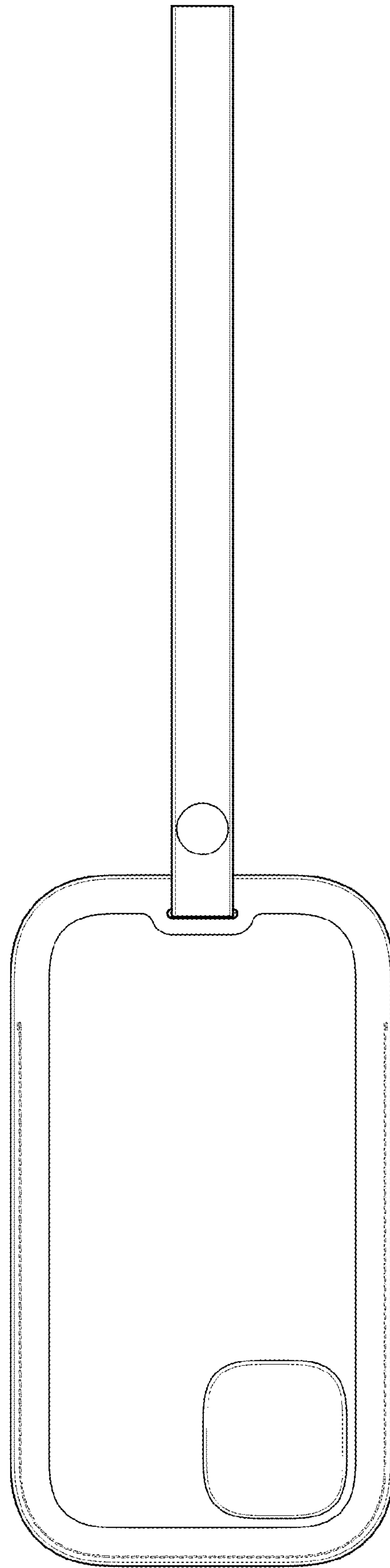


FIG. 4



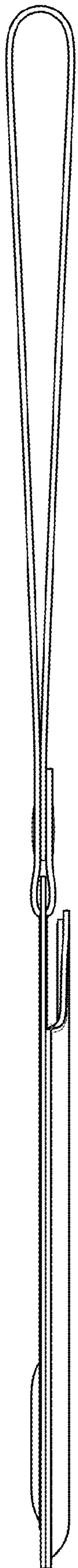


FIG. 5

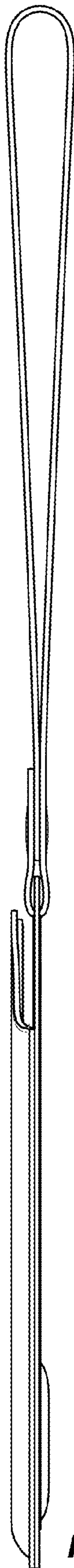


FIG. 6

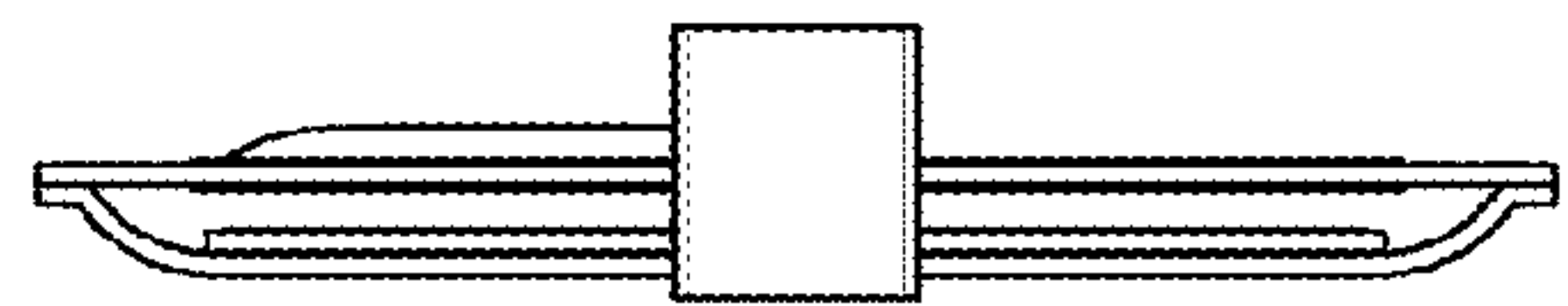


FIG. 7

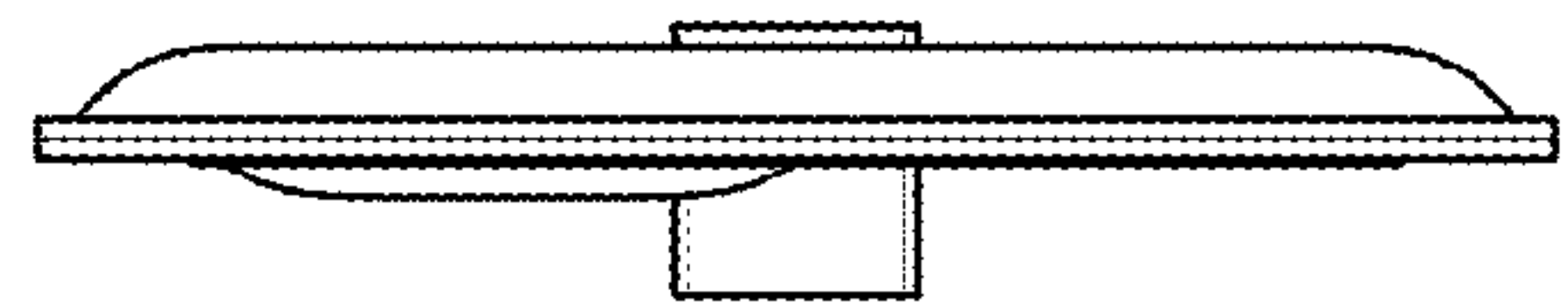


FIG. 8