



US00D952328S

(12) **United States Design Patent** (10) **Patent No.:** **US D952,328 S**
Hedaya (45) **Date of Patent:** **** May 24, 2022**

- (54) **BACKPACK**
- (71) Applicant: **Fast Forward LLC**, New York, NY (US)
- (72) Inventor: **Evan Hedaya**, Brooklyn, NY (US)
- (73) Assignee: **FAST FORWARD LLC**, New York, NY (US)
- (**) Term: **15 Years**
- (21) Appl. No.: **29/704,361**
- (22) Filed: **Sep. 4, 2019**
- (51) **LOC (13) Cl.** **03-01**
- (52) **U.S. Cl.**
USPC **D3/217**
- (58) **Field of Classification Search**
USPC D3/216, 217, 260
CPC A45F 3/04; A45F 2003/003; A45F 4/02;
A45F 5/021; Y10S 224/92; Y10S 16/40;
Y10S 224/922; Y10S 383/907; A01K
97/06; A45C 11/20; A45C 5/06; A45C
11/02; A45C 13/02; A45C 13/08; A45C
3/00; A45C 7/0063
See application file for complete search history.

- D847,494 S * 5/2019 Tang D3/217
- D869,149 S * 12/2019 Okungbaiye D3/217
- D882,943 S * 5/2020 Zhuang D3/217
- D895,271 S * 9/2020 Enriquez D3/217
- D922,062 S * 6/2021 Shi D3/217

* cited by examiner

Primary Examiner — Jennifer L Watkins
(74) *Attorney, Agent, or Firm* — Leason Ellis LLP

(57) **CLAIM**

The ornamental design for a backpack, as shown and described.

DESCRIPTION

FIG. 1 is a rear plan view of a backpack showing my new ornamental design in a first state, comprising an insert portion that is configured to be received by a clear sleeve portion of a backpack included in the backpack;
 FIG. 2 is a rear plan view thereof in a second state, comprising the insert portion having been received by the clear sleeve portion of the backpack;
 FIG. 3 is a front plan view thereof in the first state or the second state;
 FIG. 4 is a right-side elevation view thereof;
 FIG. 5 is a left-side elevation view thereof;
 FIG. 6 is a top elevation view thereof;
 FIG. 7 is a bottom elevation view; and,
 FIG. 8 is a perspective view of the backpack in the second state.

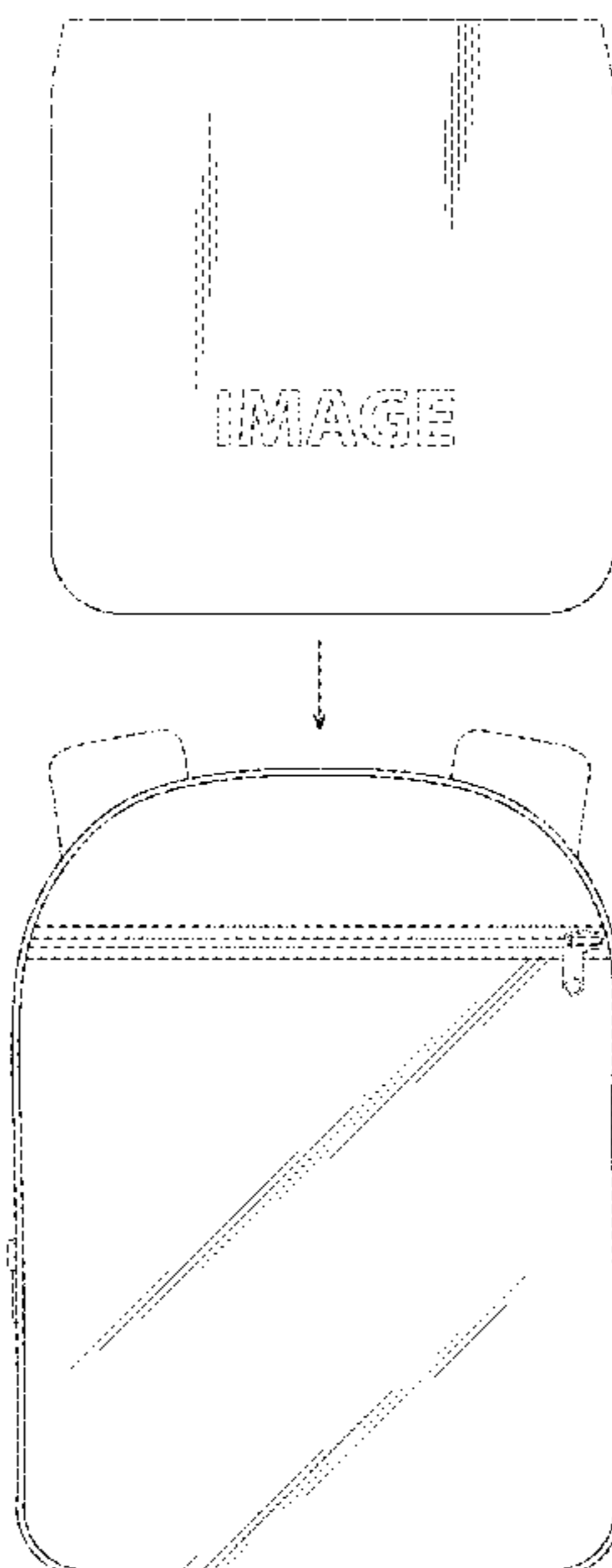
The process or period in which one state transitions to another state forms no part of the claimed design.
 The broken lines on claimed surfaces, shown inside of solid lines, depict portions of the article and form no part of the claim. The surfaces inside of these broken lines form no part of the claim. The surfaces inside solid lines and adjacent broken lines are claimed.

(56) **References Cited**

U.S. PATENT DOCUMENTS

- 5,222,642 A * 6/1993 Solarz A45C 13/08
224/191
- D381,704 S * 7/1997 Li D21/483
- D446,009 S * 8/2001 Mandell D3/216
- 6,393,745 B1 * 5/2002 Miki G09F 27/00
224/627
- D673,362 S * 1/2013 Presman D3/217
- D821,742 S * 7/2018 Jusic D3/217
- D828,016 S * 9/2018 Gillespie D3/217
- D829,436 S * 10/2018 Benzon D3/217

1 Claim, 7 Drawing Sheets



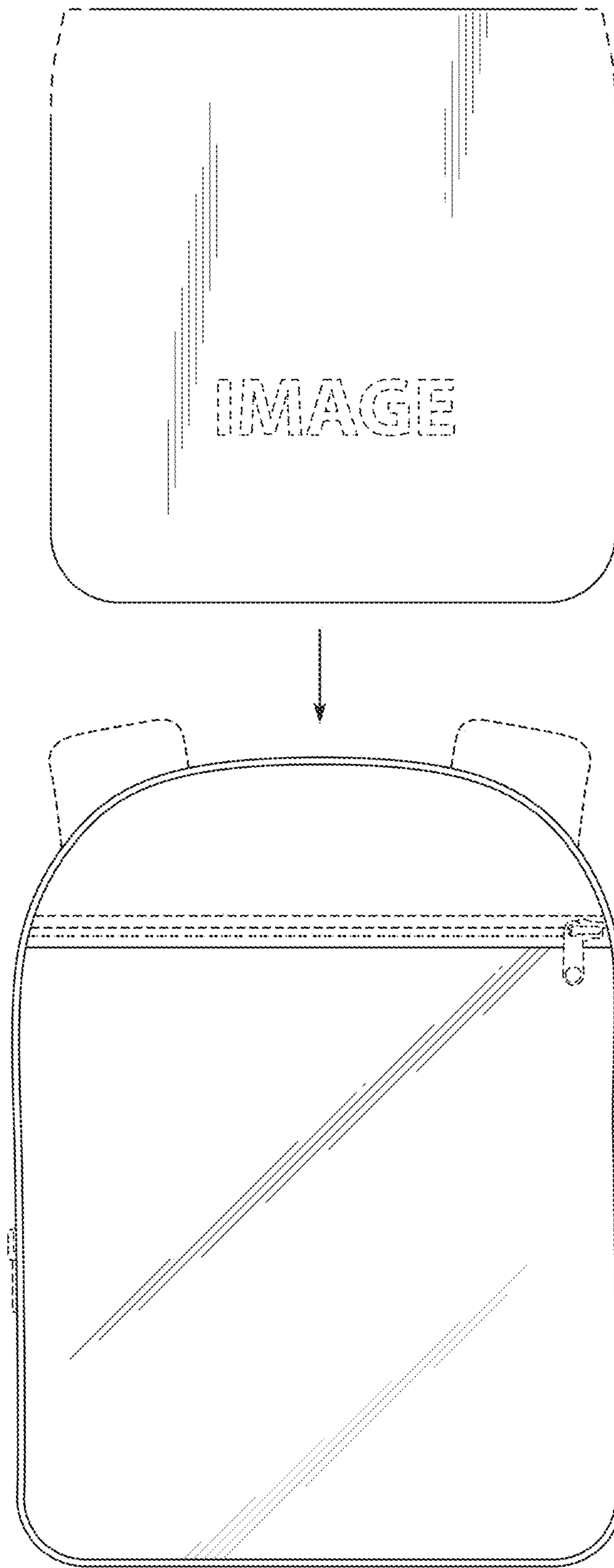


Fig. 1

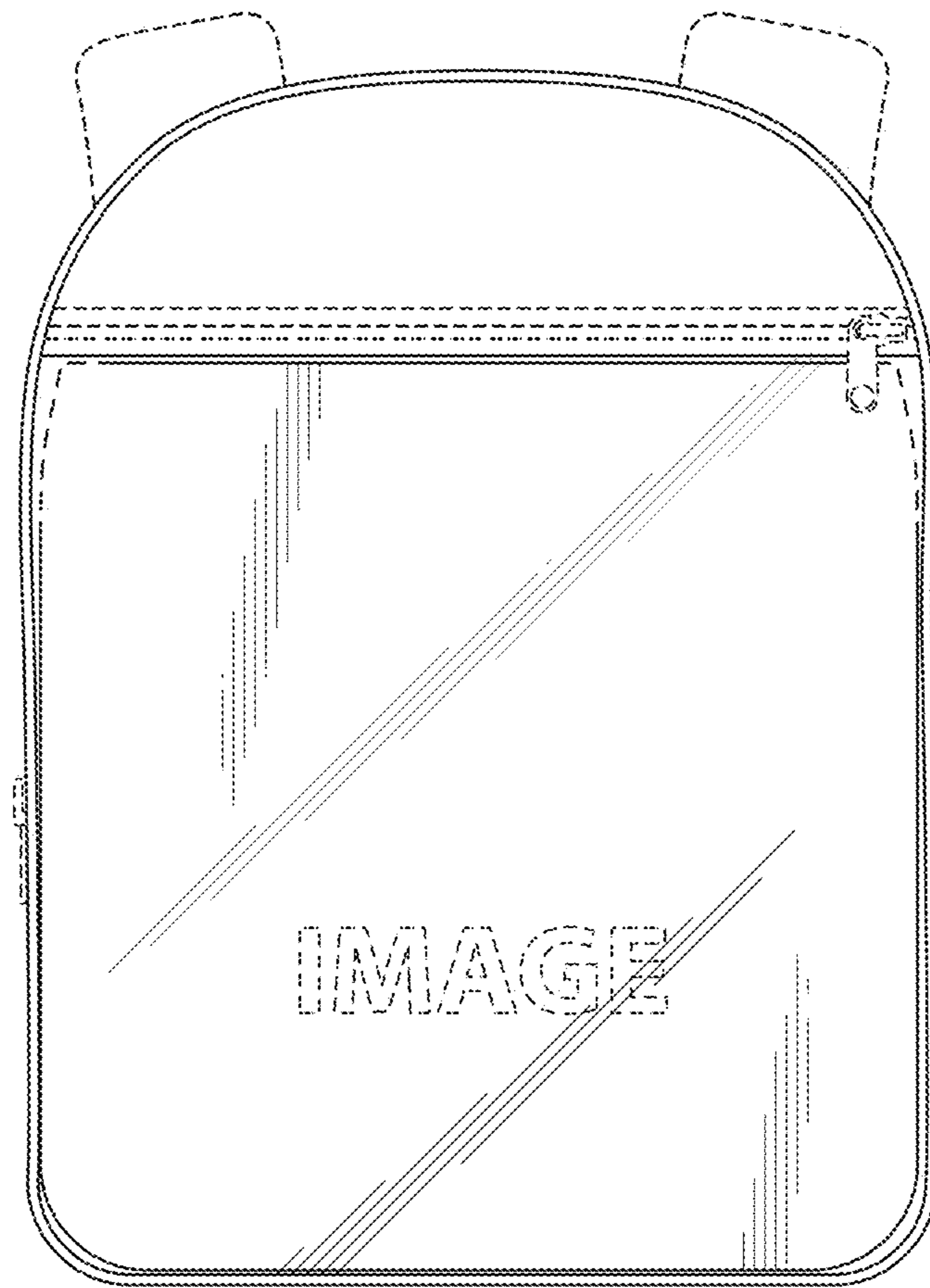


Fig. 2

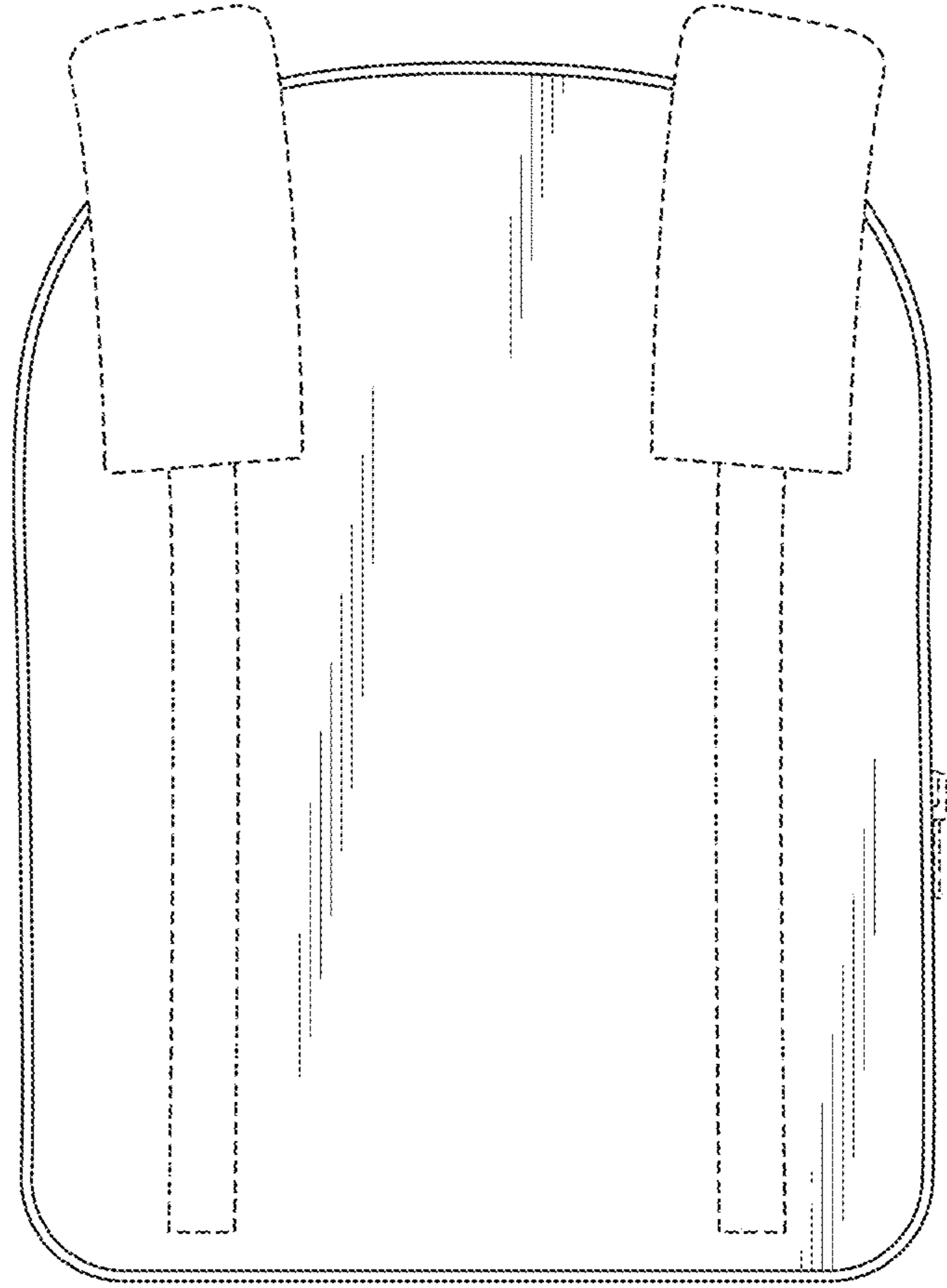


Fig. 3

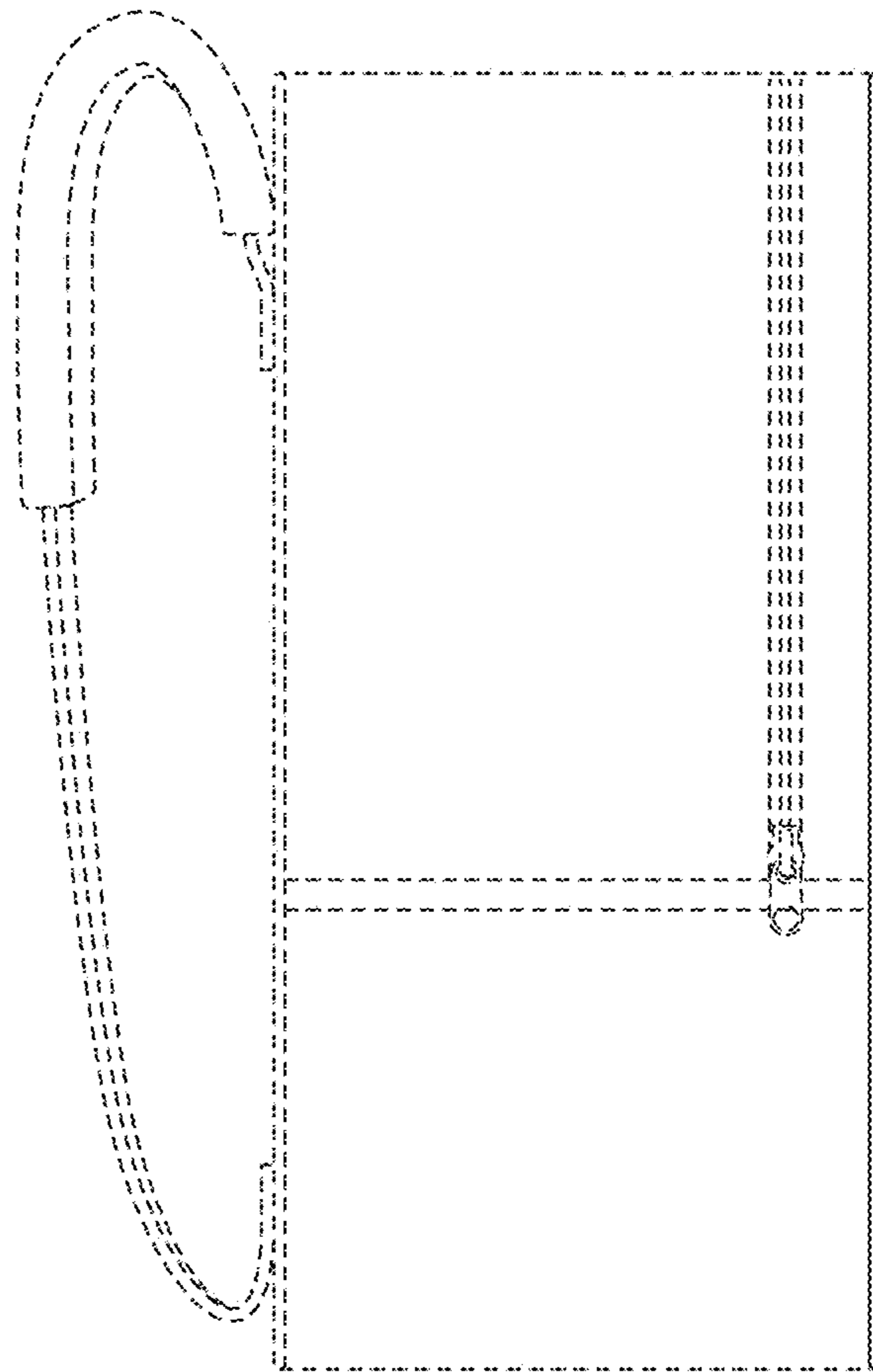


Fig. 4

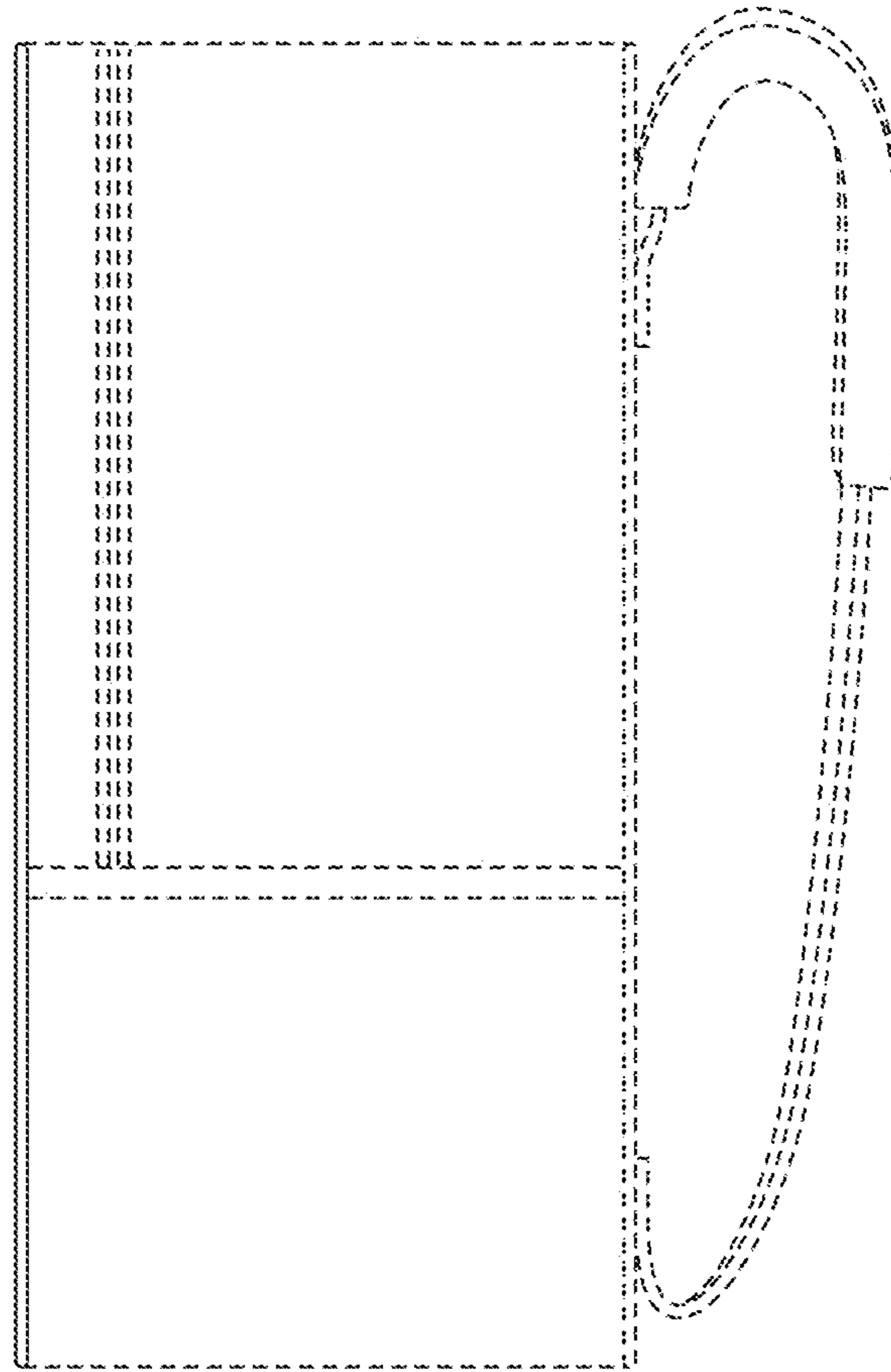


Fig. 5

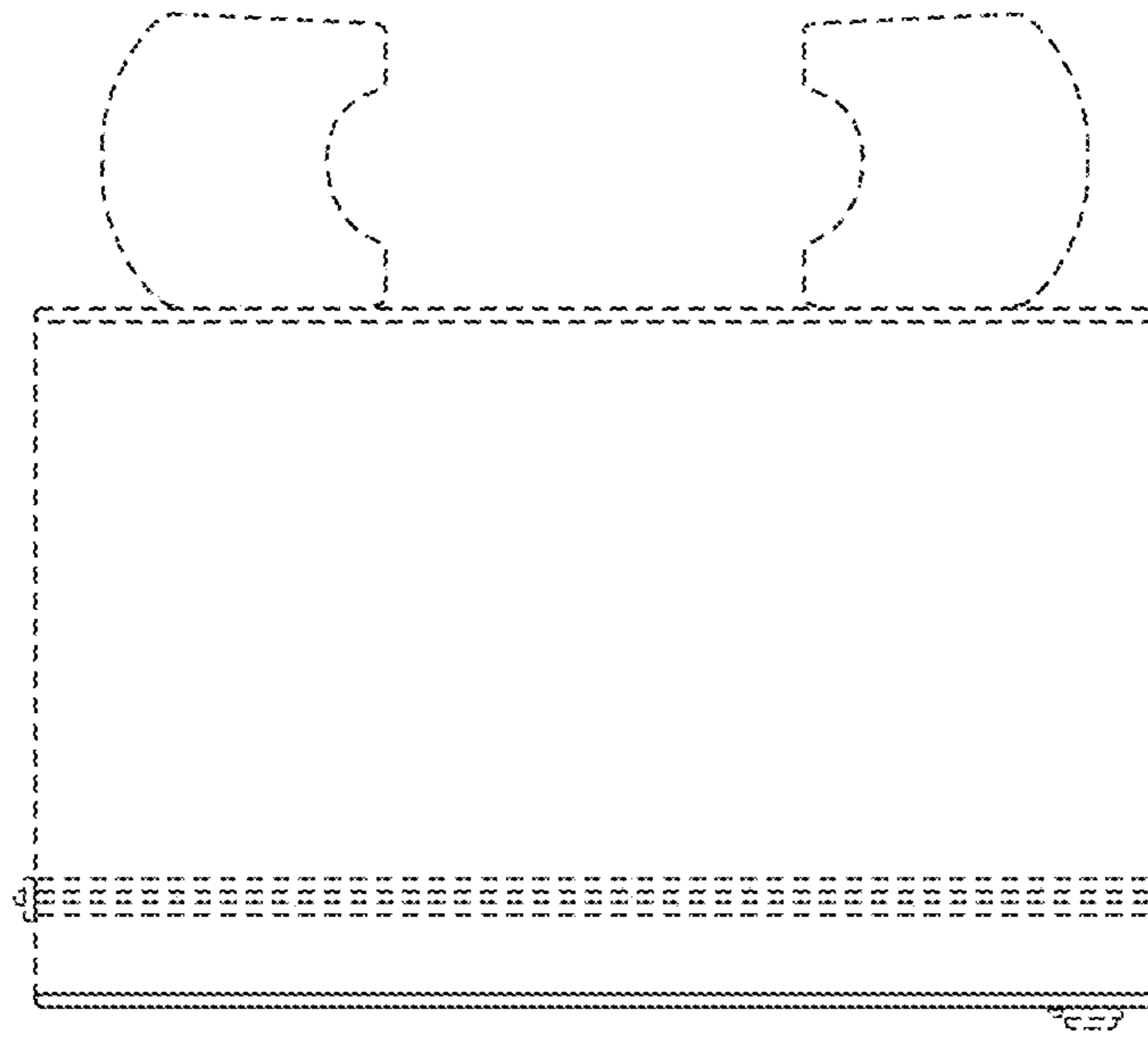


Fig. 6

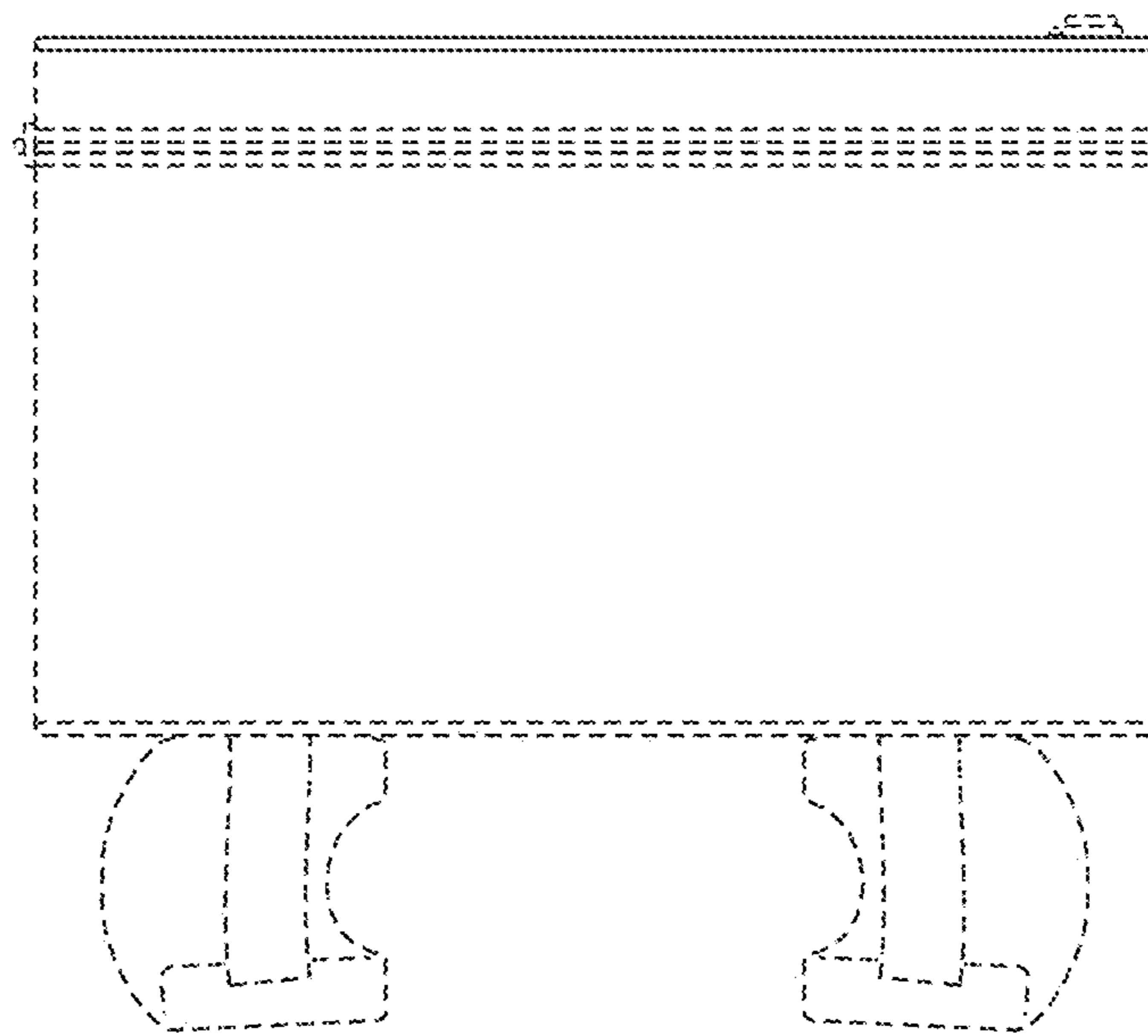


Fig. 7



Fig. 8