



US00D952326S

(12) **United States Design Patent** (10) **Patent No.:** **US D952,326 S**
Beers (45) **Date of Patent:** **** May 24, 2022**

(54) **STRAP FOR MOBILE DEVICE HOLSTER**

(71) Applicant: **Brooke Beers**, Dunnellon, FL (US)

(72) Inventor: **Brooke Beers**, Dunnellon, FL (US)

(73) Assignee: **NAAR BOVEN CORPORATION**,
Wilmington, DE (US)

(**) Term: **15 Years**

(21) Appl. No.: **29/713,444**

(22) Filed: **Nov. 15, 2019**

(51) **LOC (13) Cl.** **03-01**

(52) **U.S. Cl.**
USPC **D3/215**

(58) **Field of Classification Search**

USPC D3/215, 218; D10/32-33; D11/3-4, 6,
D11/15, 17; D2/627, 631; D14/344
CPC A45F 5/00; A45F 2005/008; A44C 5/12;
A44C 5/14; A44C 5/0053; A44C 5/0069;
A44C 5/0076; A44C 5/00; A44C 5/007;
A44C 5/0015; A44C 5/0023; A44C
5/003; A44C 5/0061; A44C 5/147; A44C
5/185; A44C 5/2047; A44C 5/2052; A44B
11/06; A44B 11/24; A61B 5/681
See application file for complete search history.

(56) **References Cited**

U.S. PATENT DOCUMENTS

4,500,019	A *	2/1985	Curley, Jr.	A45F 5/00 224/242
D477,709	S *	7/2003	Natividad	D3/218
D811,729	S *	3/2018	Bysshe	D3/218
D813,527	S *	3/2018	Orban	D3/215
D876,828	S *	3/2020	Feng	D3/218
D918,759	S *	5/2021	Liu	D11/3
D928,328	S *	8/2021	Zehnder	D24/185
2007/0057003	A1 *	3/2007	Keyes	A45F 5/00 224/663
2009/0090752	A1 *	4/2009	Grech	A45F 5/00 224/191

OTHER PUBLICATIONS

<https://www.dreamstime.com/japanese-geometric-patterns-seamless-oriental-decorative-backdrops-ornamental-pattern-traditional-asian-motifs-vector-background-image201280769> 2000-2022.*
<https://www.dreamstime.com/illustration/geometric-patterns.html?pg=2> 2021-2022.*
<https://www.vexels.com/vectors/preview/174908/asian-pattern-design> (Year: 2019).*

* cited by examiner

Primary Examiner — Catherine R Oliver-Garcia
(74) *Attorney, Agent, or Firm* — Allen, Dyer, Doppelt + Gilchrist, PA

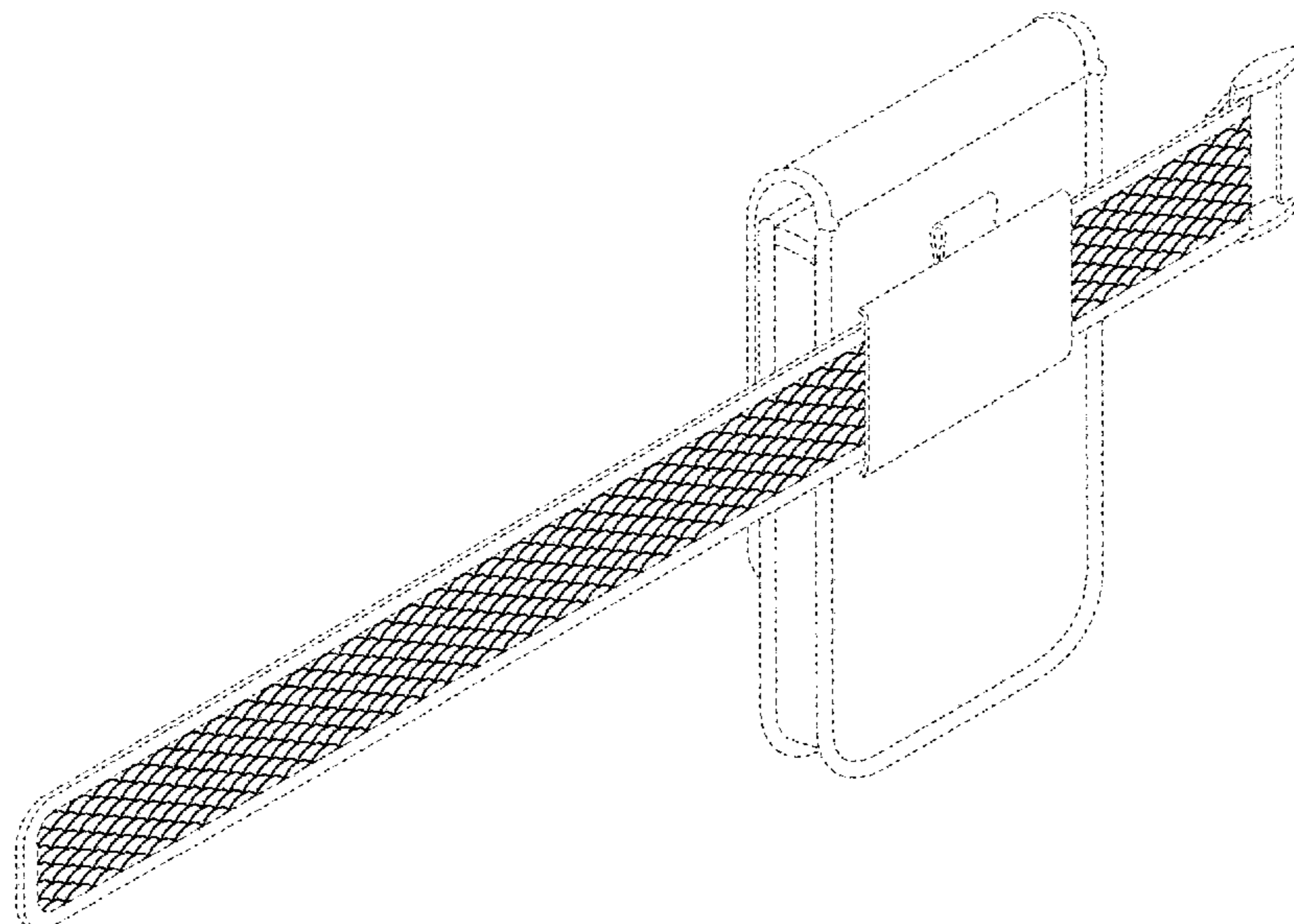
(57) **CLAIM**

The ornamental design for a strap for a mobile device holster, as shown and described.

DESCRIPTION

FIG. 1 is a top, rear perspective view of a strap for a mobile device holster;
FIG. 2 is a top, rear perspective view of the strap of FIG. 1 shown in use with a mobile device holster;
FIG. 3 is a rear elevation view of the strap of FIG. 1;
FIG. 4 is a front elevation view of the strap of FIG. 1;
FIG. 5 is a left elevational view of the strap of FIG. 1;
FIG. 6 is a right elevational view of the strap of FIG. 1;
FIG. 7 is a top plan view of the strap of FIG. 1;
FIG. 8 is a bottom plan view of the strap of FIG. 1; and
FIG. 9 is an enlarged view, shown in region 9 of FIG. 3.
The broken lines showing a mobile device holster in FIG. 2 depicts environmental subject matter that forms no part of the claimed design, while the remaining broken lines shown in the drawings depict portions of the strap that form no part of the claimed design.

1 Claim, 6 Drawing Sheets



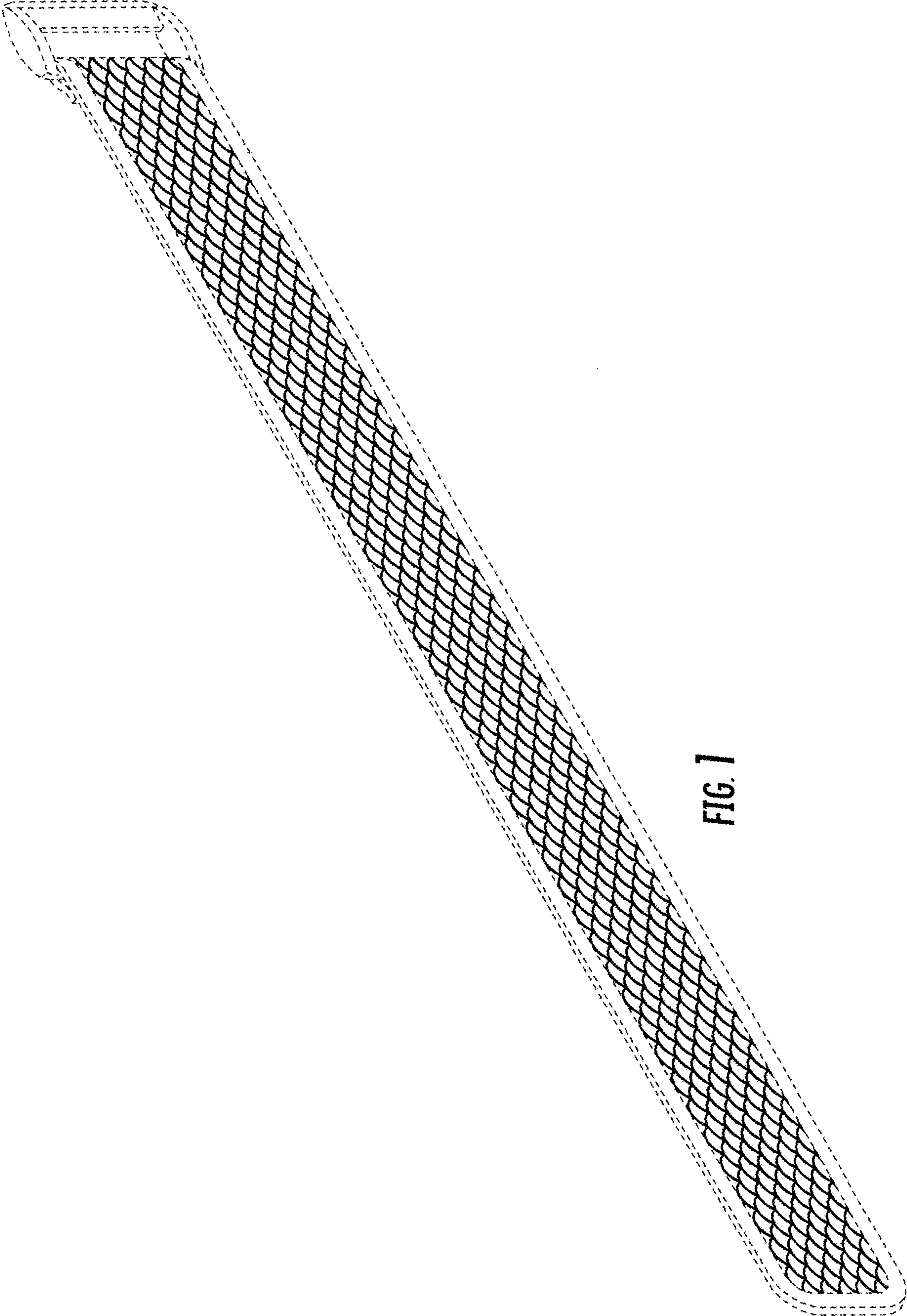


FIG. 1

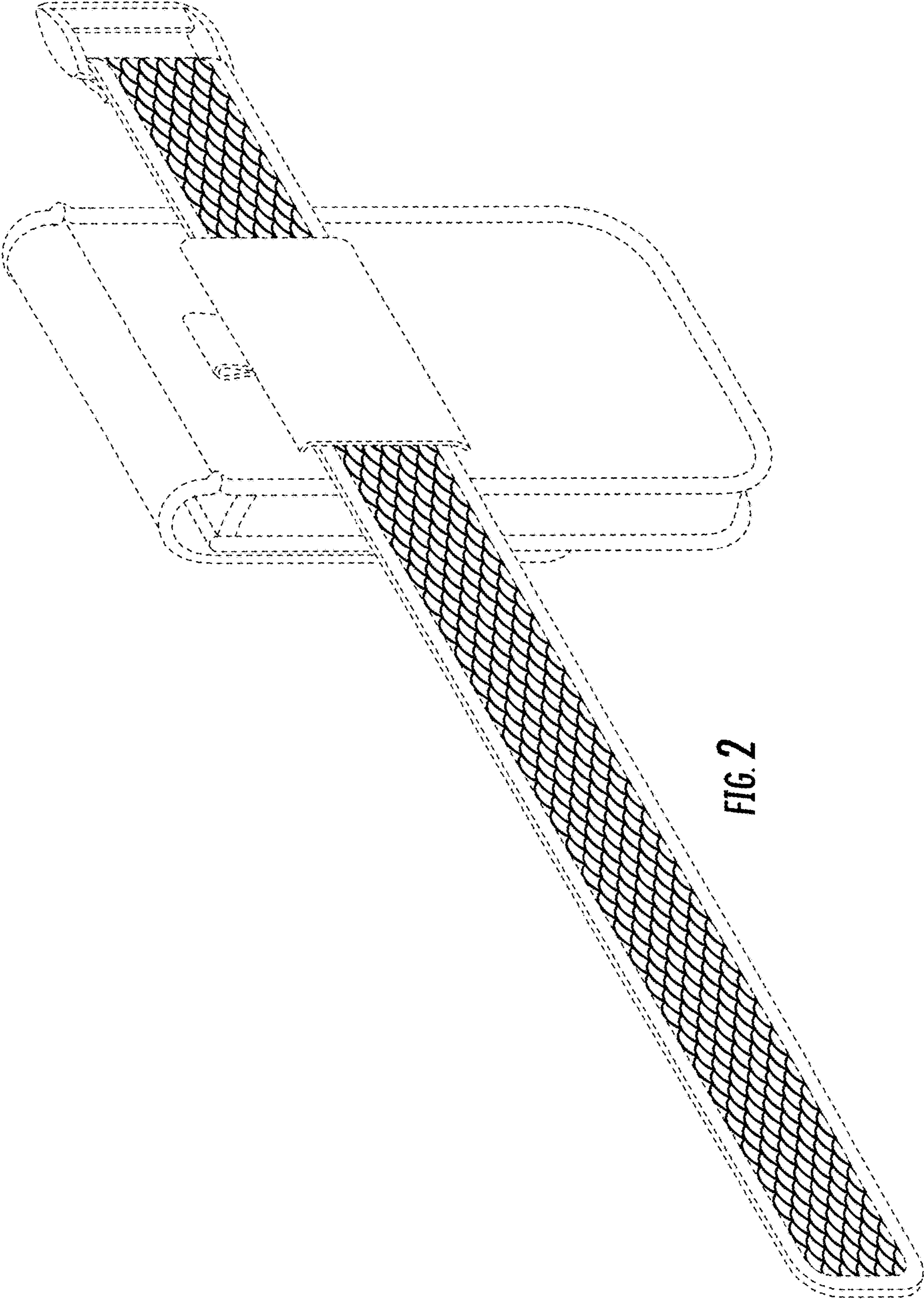


FIG. 2

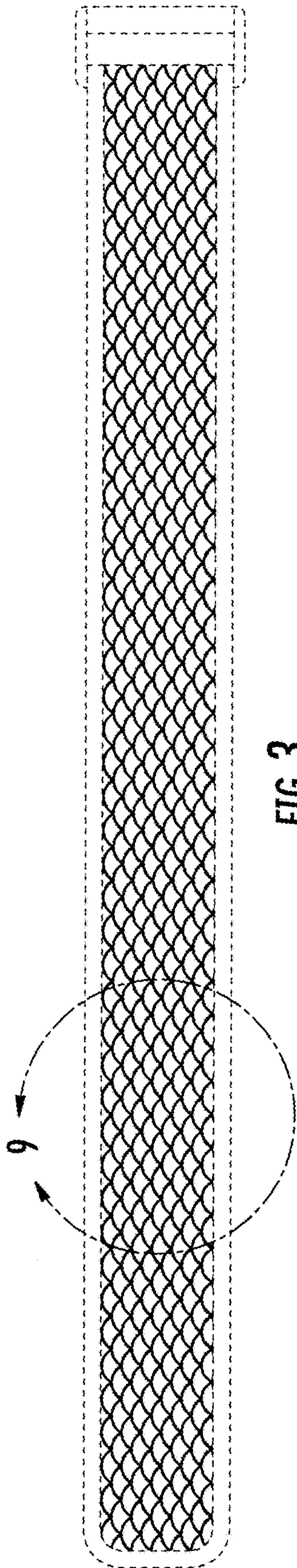


FIG. 3

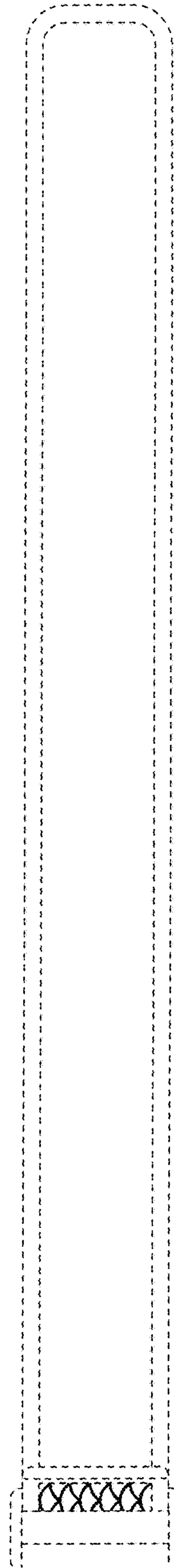


FIG. 4

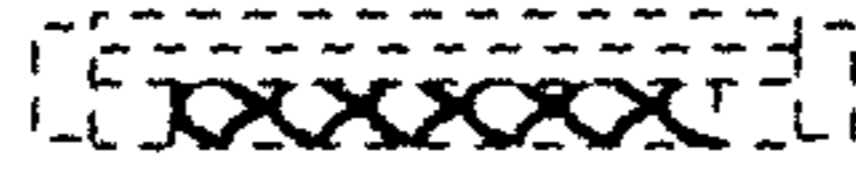


FIG. 6



FIG. 5

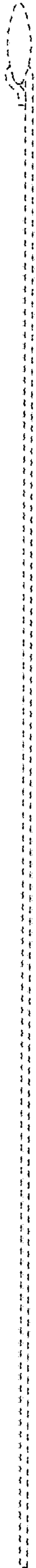


FIG. 7

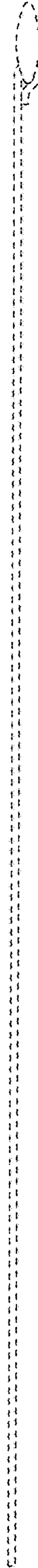


FIG. 8

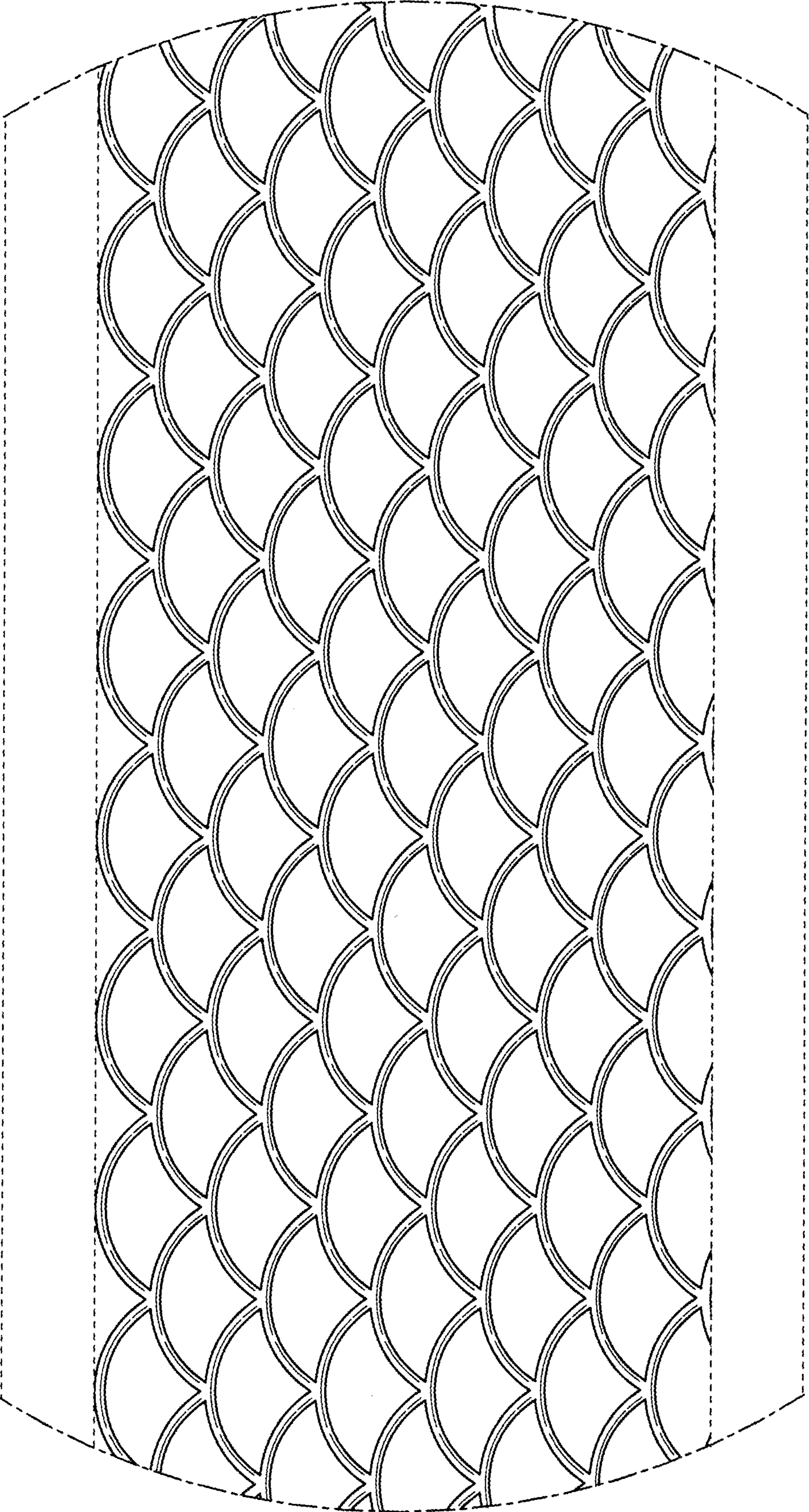


FIG. 9