



US00D952324S

(12) **United States Design Patent**
Kohen et al.

(10) **Patent No.:** **US D952,324 S**
(45) **Date of Patent:** **** May 24, 2022**

- (54) **CANTILEVER UMBRELLA BASE**
- (71) Applicants: **Amiram Kohen**, Yahud-Monoson (IL);
Aksimo Distribution Ltd.,
Kokhav-Ya'ir Tzur-Yigal (IL)
- (72) Inventors: **Amiram Kohen**, Yahud-Monoson (IL);
Maxim Golbraich, Kokhav-Ya'ir
Tzur-Yigal (IL)
- (73) Assignees: **AKSIMO DISTRIBUTION LTD.**,
Kokhav-Ya'ir Tzur-Yigal (IL); **Amiram**
Kohen, Yahud Monason (IL)
- (**) Term: **15 Years**
- (21) Appl. No.: **29/829,561**
- (22) Filed: **Mar. 6, 2022**

Related U.S. Application Data

- (62) Division of application No. 29/764,801, filed on Jan. 3, 2021.
- (51) **LOC (13) Cl.** **03-03**
- (52) **U.S. Cl.**
USPC **D3/10**
- (58) **Field of Classification Search**
USPC D3/5-17; D13/101-107, 133, 154
CPC A45B 17/00; A45B 23/00; E04H 12/2238;
A47F 5/00
See application file for complete search history.

(56) **References Cited**

U.S. PATENT DOCUMENTS

5,499,644	A	3/1996	Geniele	
6,203,198	B1	3/2001	Stone	
6,328,665	B1	12/2001	Gormley	
6,415,927	B1	7/2002	Stone	
6,889,953	B2	5/2005	Harbaugh	
D644,559	S *	9/2011	Hashimoto D11/143
8,485,757	B2	7/2013	Nomoto	

8,807,513	B2	8/2014	Volin	
D868,449	S *	12/2019	Siegenthaler D3/10
10,813,425	B2	10/2020	Shen	
D919,955	S *	5/2021	Chen D3/10

(Continued)

FOREIGN PATENT DOCUMENTS

CN	302775770	*	4/2014
CN	304692132	*	6/2018
DE	102012018917	A1	3/2014

OTHER PUBLICATIONS

Ikea.com, Site visited Feb. 16, 2021, Svarto Umbrella Base, oldest review dated Nov. 30, 2017, <https://www.ikea.com/us/en/p/svartoe-umbrella-base-10285328/> (Year: 2017).*

(Continued)

Primary Examiner — Brett Miller
Assistant Examiner — Jessica M Gebhart
(74) *Attorney, Agent, or Firm* — Koffsky Schwalb LLC;
Mark I. Koffsky

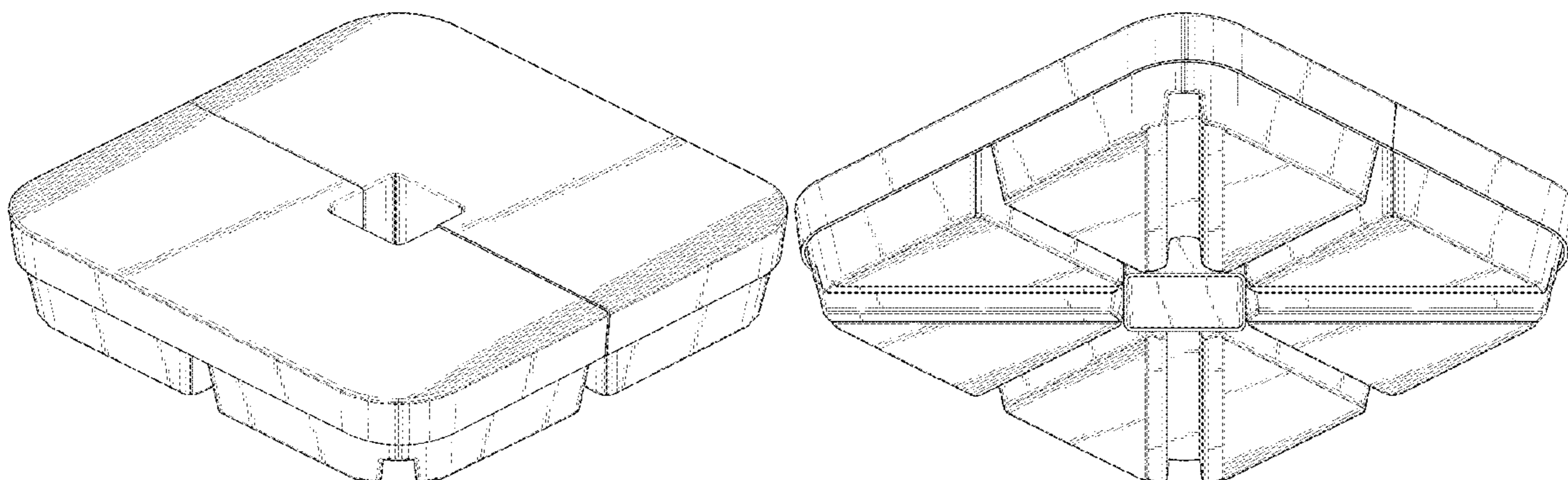
(57) **CLAIM**

We claim the ornamental design for a cantilever umbrella base, as shown and described.

DESCRIPTION

FIG. 1 is an upper perspective view of a cantilever umbrella base;
FIG. 2 is lower perspective view thereof;
FIG. 3 is a top view thereof;
FIG. 4 is a bottom view thereof;
FIG. 5 is a left view thereof;
FIG. 6 is a right view thereof;
FIG. 7 is a front view thereof; and,
FIG. 8 is a back view thereof.
The broken lines show stitching and form a part of the claimed design.

1 Claim, 8 Drawing Sheets



(56)

References Cited

U.S. PATENT DOCUMENTS

D931,595 S * 9/2021 Wang D3/10
2002/0185167 A1 12/2002 Lin
2004/0069922 A1* 4/2004 Wu E04H 12/2246
248/519
2008/0224016 A1 9/2008 Defu
2013/0062585 A1 3/2013 Deering
2013/0146739 A1 6/2013 Zhao
2013/0146740 A1 6/2013 Ma
2016/0024813 A1 1/2016 Koyl
2016/0258126 A1* 9/2016 Pelletier E02D 27/01
2017/0114563 A1* 4/2017 Ye A45B 23/00
2018/0266137 A1 9/2018 Lomax
2018/0334828 A1 11/2018 Pan
2020/0208429 A1 7/2020 Ma

OTHER PUBLICATIONS

Amazon.ca, Site visited Feb. 16, 2022, Outsunny 60 Liter Water Weighted Adjustable Umbrella Stand, First available Jul. 1, 2020, <https://www.amazon.ca/Outsunny-Outdoor-Weighted-Adjustable-Umbrella/dp/B07B1TB3LY> (Year: 2020).*

Overstock.com, Site visited Feb. 15, 2022, Hilford Cantilever 4 Piece Heavy Duty Fillable Umbrella Weighted Base Stand, Oldest review Jul. 11, 2020, <https://www.overstock.com/Home-Garden/Universal-Heavy-Duty-Plastic-Umbrella-Base-Set-of-4-Angel-Weights/23463406/customer-reviews.html> (Year: 2020).*

Costway.com, Site visited Mar. 22, 2022, Patio Market Offset Umbrella Base State with Sandbags, Oldest review dated Apr. 27, 2020, <https://www.costway.com/patio-market-offset-umbrella-base-stand-with-sandbags.html> (Year: 2020).*

* cited by examiner

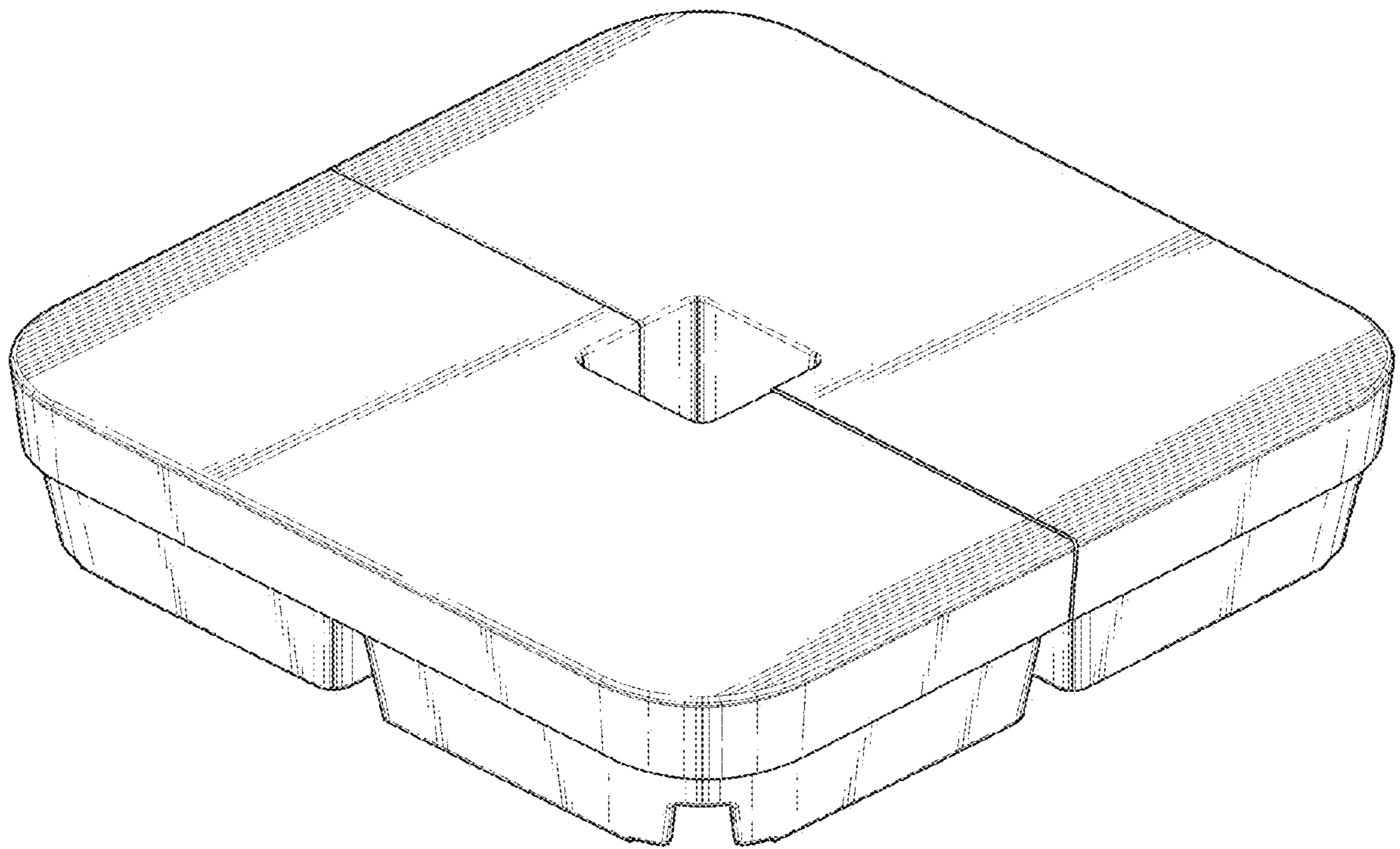


FIG. 1

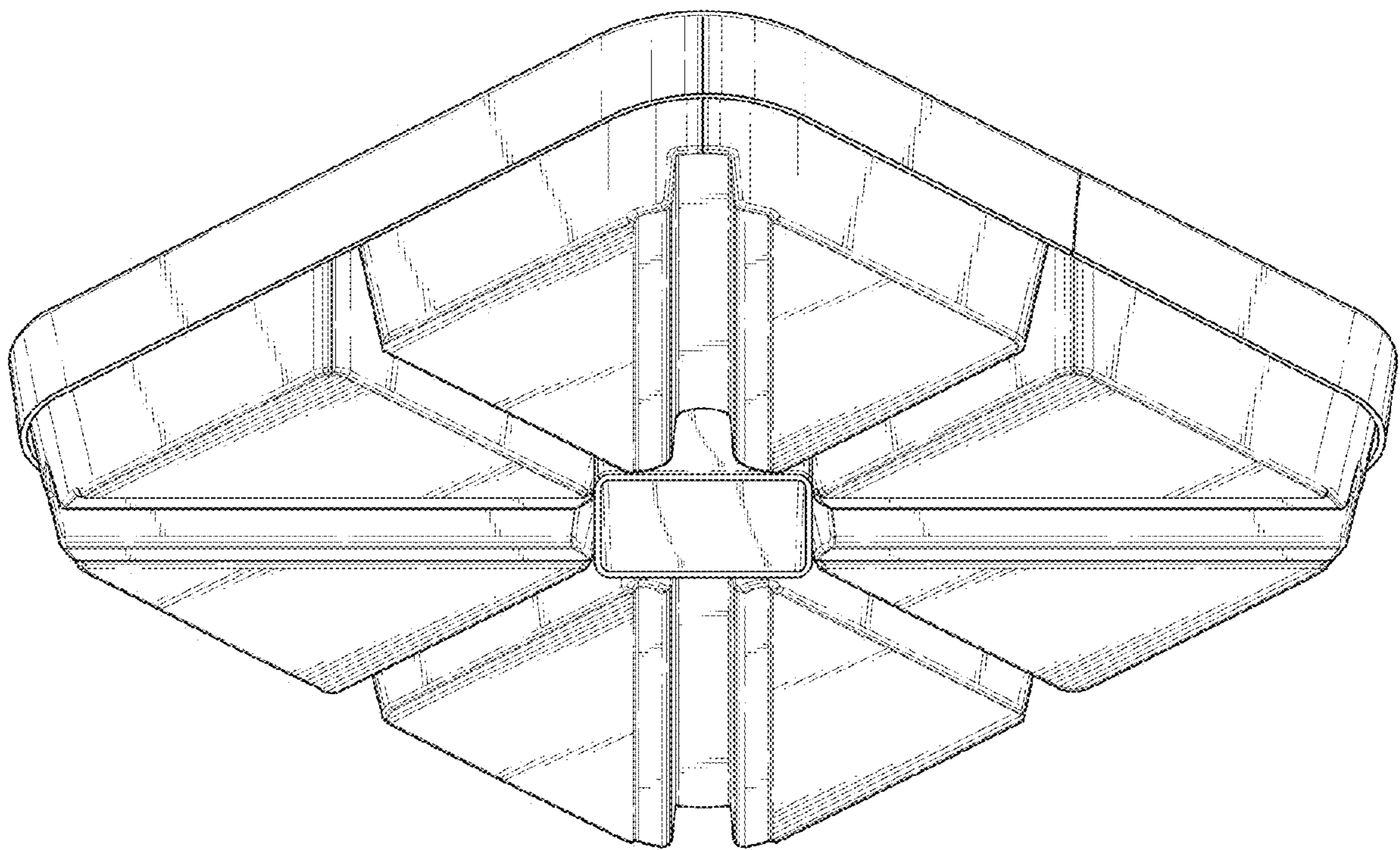


FIG. 2

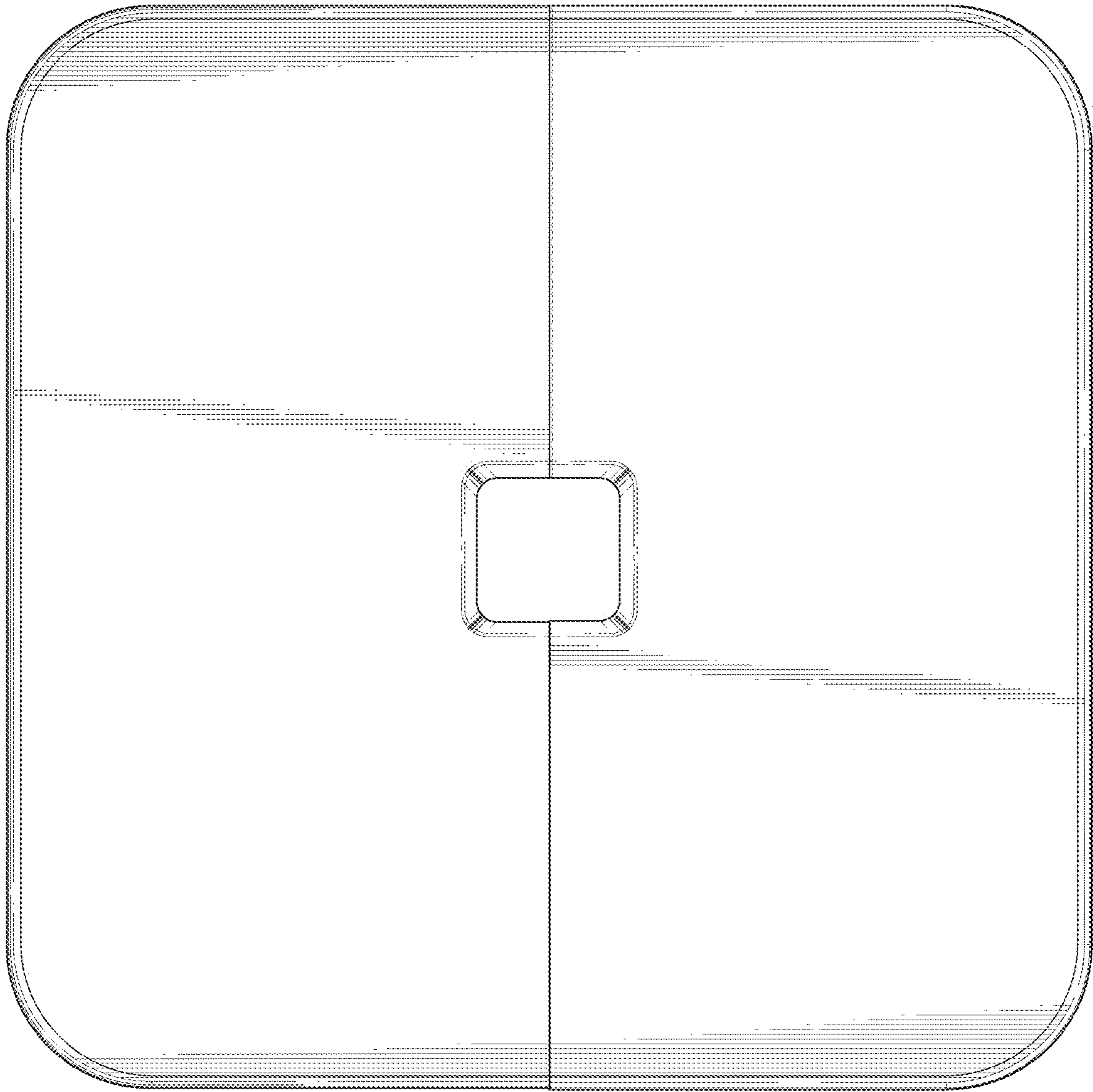


FIG. 3

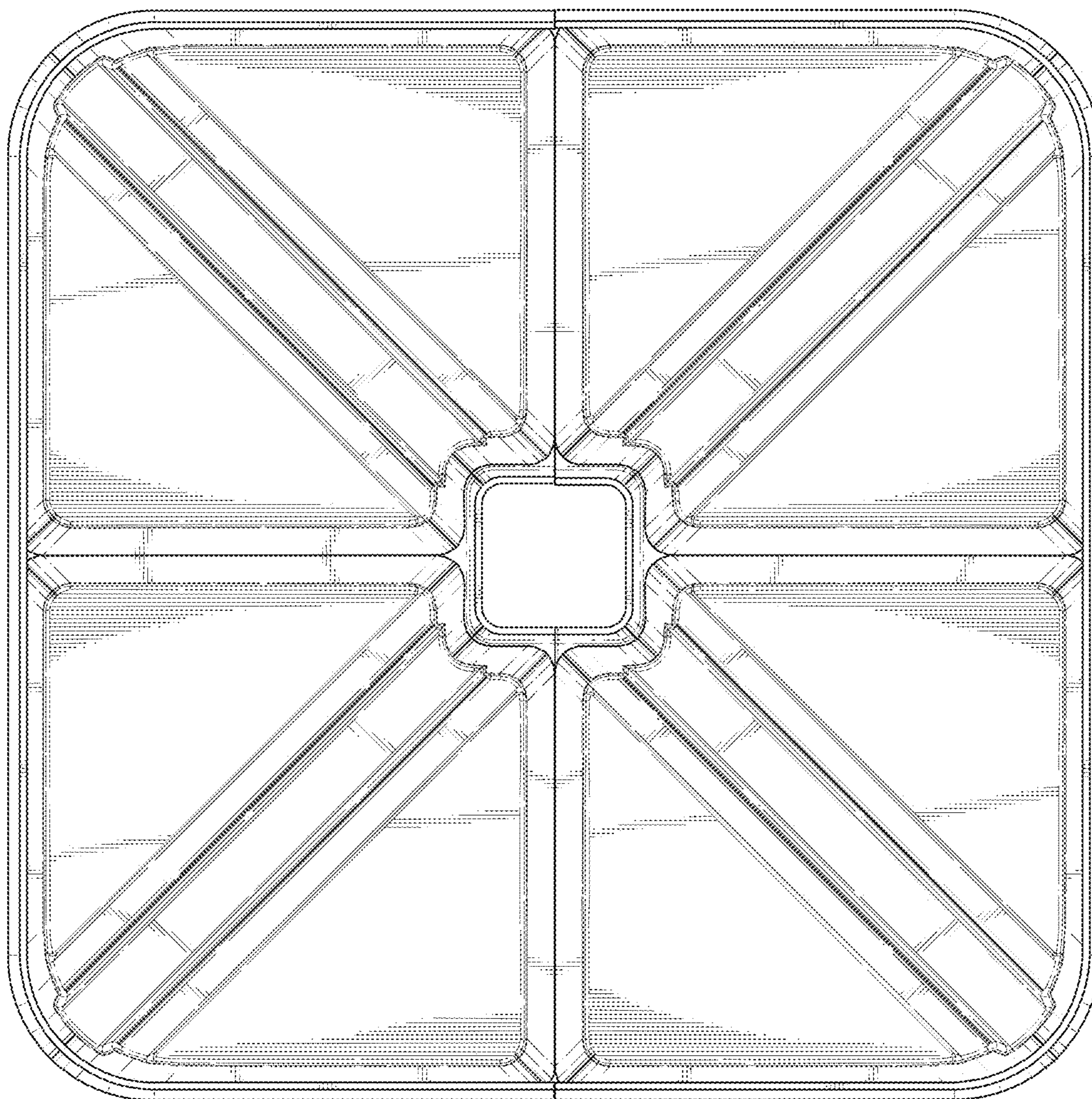


FIG. 4

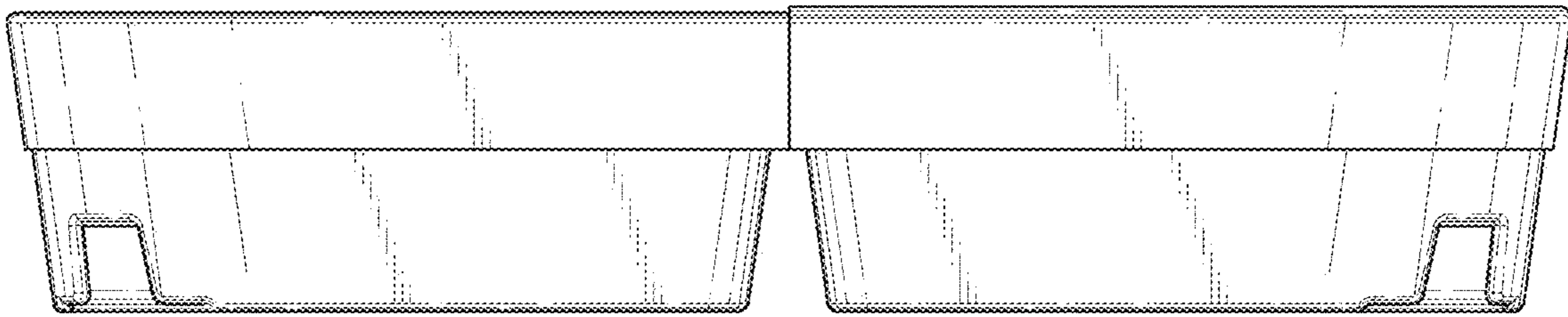


FIG. 5

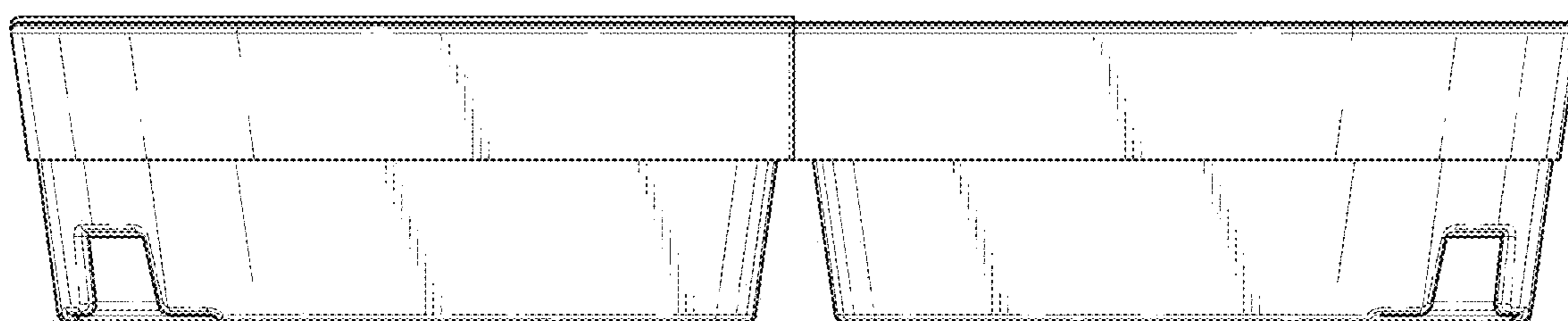


FIG. 6

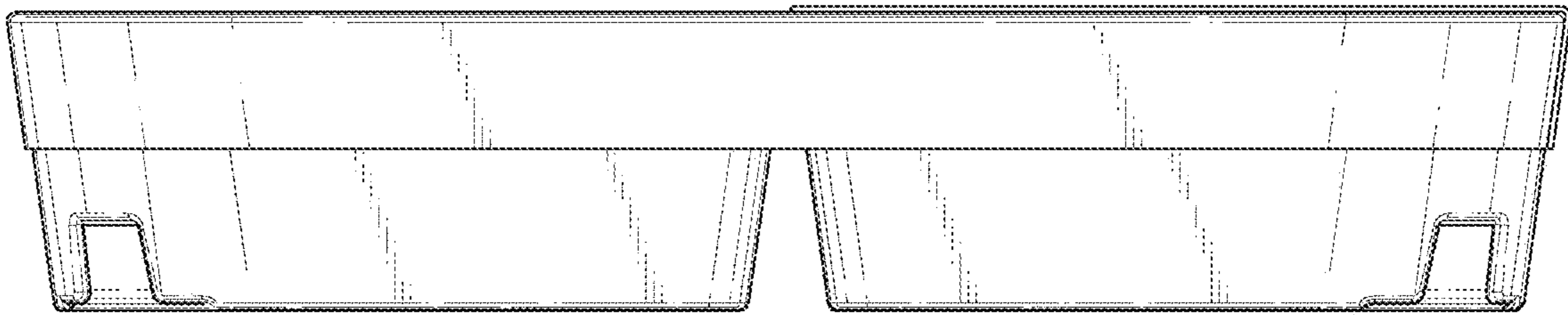


FIG. 7

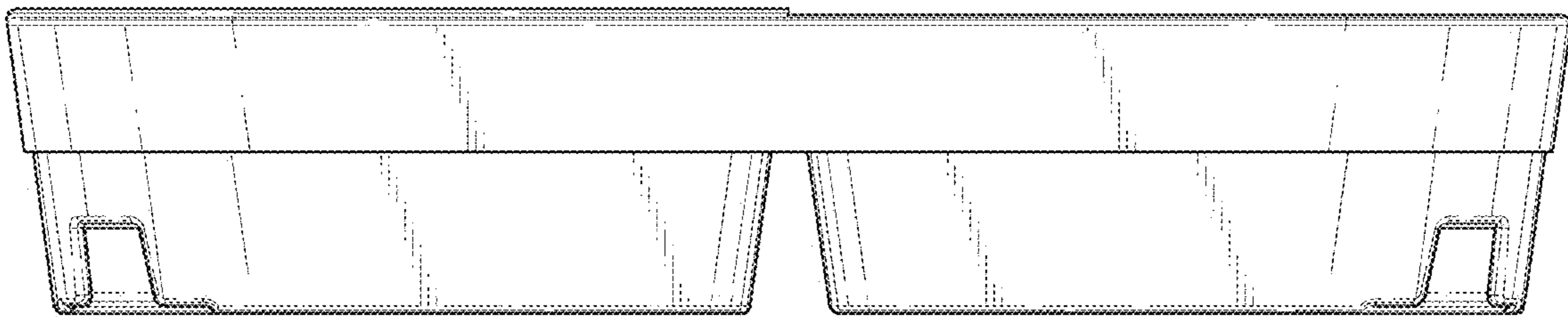


FIG. 8