



US00D952323S

(12) **United States Design Patent**  
**Kohen et al.**

(10) **Patent No.: US D952,323 S**

(45) **Date of Patent: \*\* May 24, 2022**

- (54) **CANTILEVER UMBRELLA BASE**
- (71) Applicants: **Amiram Kohen**, Yahud-Monoson (IL);  
**Aksimo Distribution Ltd.**,  
Kokhav-Ya'ir Tzur-Yigal (IL)
- (72) Inventors: **Amiram Kohen**, Yahud-Monoson (IL);  
**Maxim Golbraich**, Kokhav-Ya'ir  
Tzur-Yigal (IL)
- (73) Assignees: **Amiram Kohen**, Yahud Monason (IL);  
**AKSIMO DISTRIBUTION LTD.**,  
Kokhav-Ya'ir Tzur-Yigal (IL)

8,807,513 B2 8/2014 Volin  
 D868,449 S \* 12/2019 Siegenthaler ..... D3/10  
 10,813,425 B2 10/2020 Shen  
 D919,955 S \* 5/2021 Chen ..... D3/10  
 D931,595 S \* 9/2021 Wang ..... D3/10  
 2002/0185167 A1 12/2002 Lin

(Continued)

**FOREIGN PATENT DOCUMENTS**

CN 302775770 \* 4/2014  
 CN 304692132 \* 6/2018  
 DE 102012018917 A1 3/2014

**OTHER PUBLICATIONS**

Ikea.com, Site Visited Feb. 16, 2021, Svarto Umbrella Base, oldest review dated Nov. 30, 2017, <https://www.ikea.com/us/en/p/svartoe-umbrella-base-10285328/> (Year: 2017).\*

(Continued)

- (\*\*) Term: **15 Years**
- (21) Appl. No.: **29/829,554**
- (22) Filed: **Mar. 6, 2022**

**Related U.S. Application Data**

- (62) Division of application No. 29/764,801, filed on Jan. 3, 2021.
- (51) **LOC (13) Cl.** ..... **03-03**
- (52) **U.S. Cl.**  
USPC ..... **D3/10**
- (58) **Field of Classification Search**  
USPC ..... D3/5-17; D13/101-107, 133, 154  
CPC ..... A45B 17/00; A45B 23/00; E04H 12/2238;  
A47F 5/00  
See application file for complete search history.

*Primary Examiner* — Brett Miller  
*Assistant Examiner* — Jessica M Gebhart  
 (74) *Attorney, Agent, or Firm* — Koffsky Schwalb LLC;  
 Mark I. Koffsky

(57) **CLAIM**

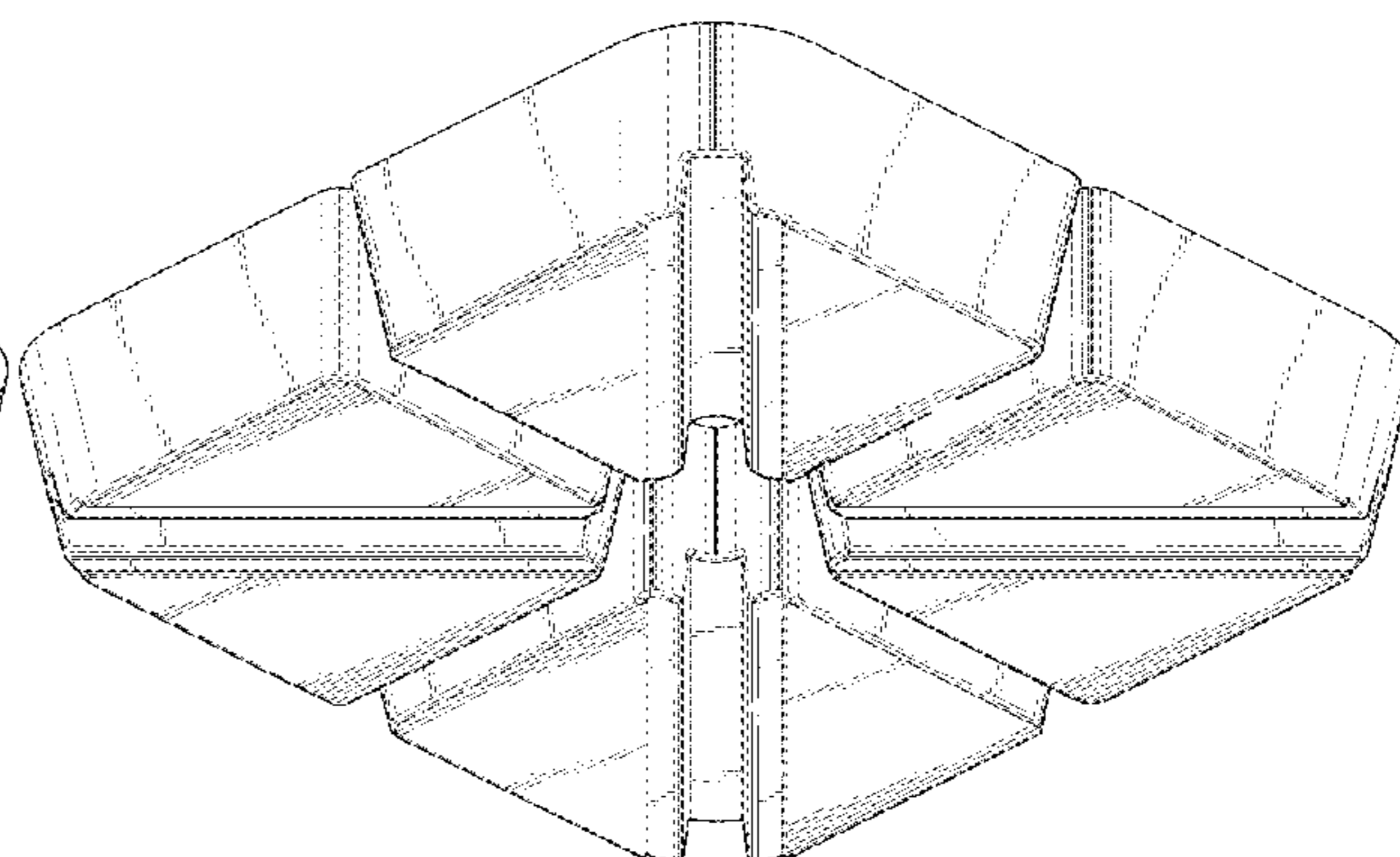
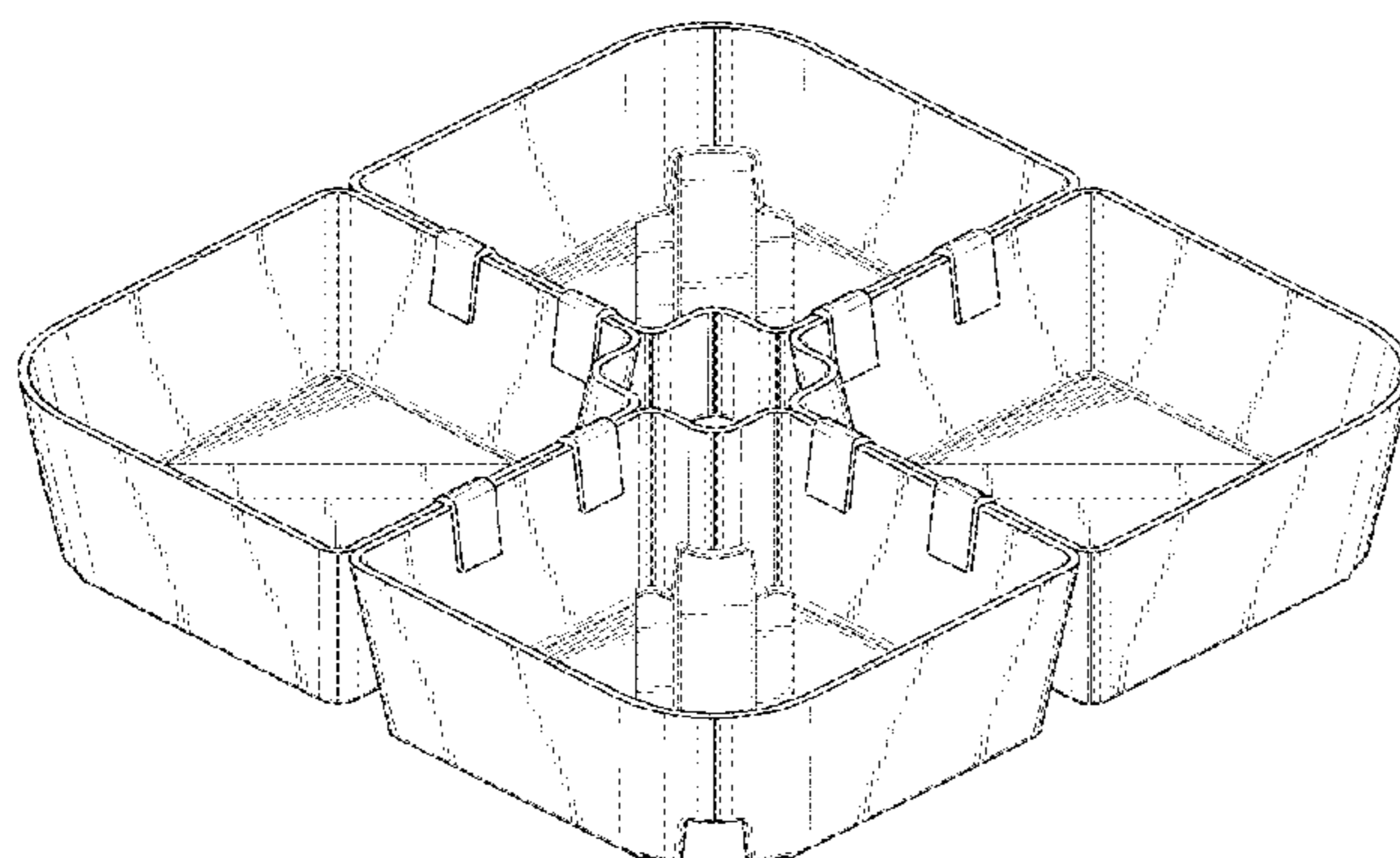
We claim the ornamental design for a cantilever umbrella base, as shown and described.

**DESCRIPTION**

FIG. 1 is an upper perspective view of joined sections of a cantilever umbrella base;  
 FIG. 2 is lower perspective view thereof;  
 FIG. 3 is a top view thereof;  
 FIG. 4 is a bottom view thereof;  
 FIG. 5 is a left view thereof;  
 FIG. 6 is a right view thereof;  
 FIG. 7 is a front view thereof; and,  
 FIG. 8 is a back view thereof.

**1 Claim, 8 Drawing Sheets**

- (56) **References Cited**  
**U.S. PATENT DOCUMENTS**  
 5,499,644 A 3/1996 Geniele  
 6,203,198 B1 3/2001 Stone  
 6,328,665 B1 12/2001 Gormley  
 6,415,927 B1 7/2002 Stone  
 6,889,953 B2 5/2005 Harbaugh  
 D644,559 S \* 9/2011 Hashimoto ..... D11/143  
 8,485,757 B2 7/2013 Nomoto



(56)

**References Cited**

U.S. PATENT DOCUMENTS

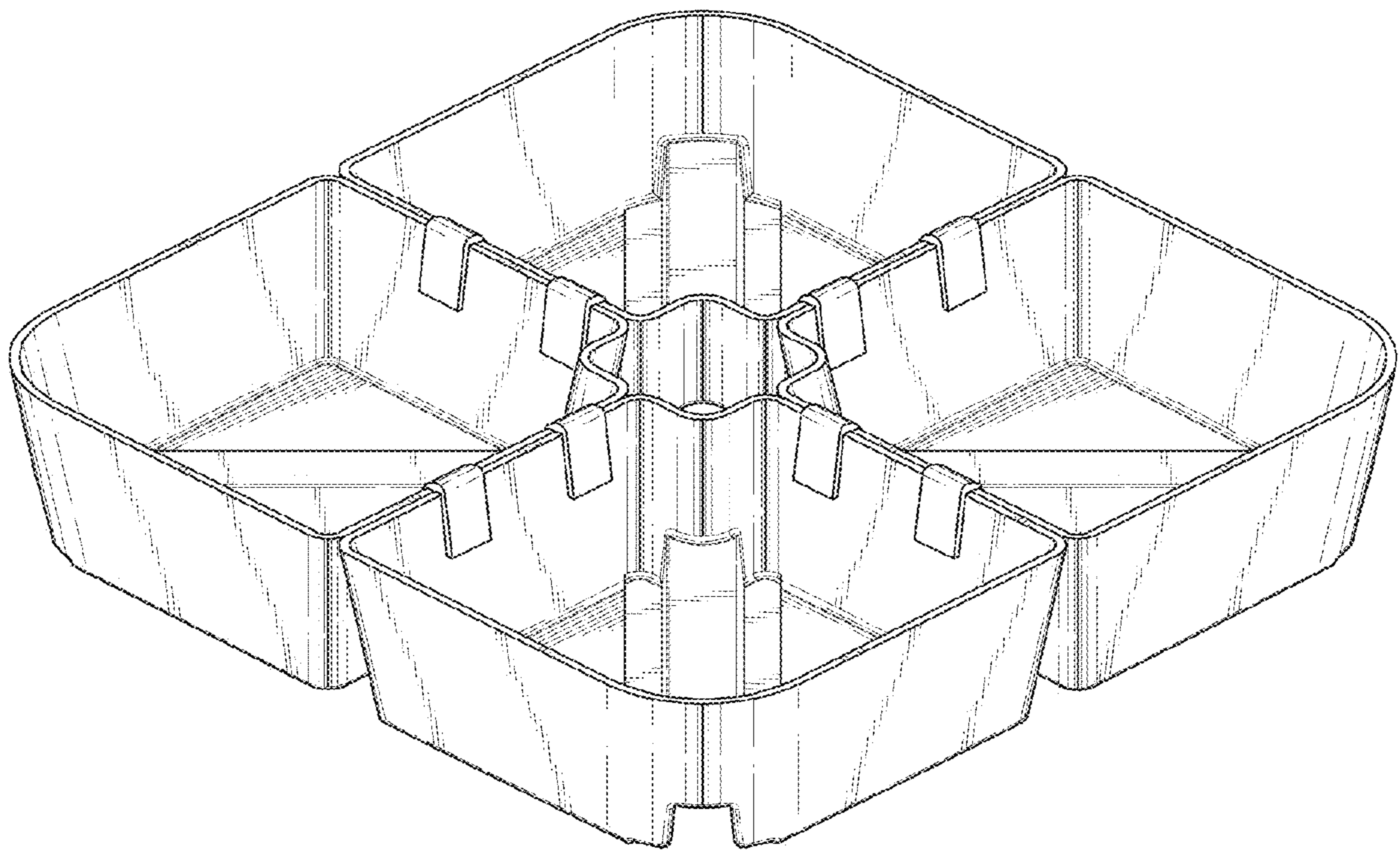
2004/0069922 A1\* 4/2004 Wu ..... E04H 12/2246  
248/519  
2008/0224016 A1 9/2008 Defu  
2013/0062585 A1 3/2013 Deering  
2013/0146739 A1 6/2013 Zhao  
2013/0146740 A1 6/2013 Ma  
2016/0024813 A1 1/2016 Koyl  
2016/0258126 A1\* 9/2016 Pelletier ..... E02D 27/01  
2017/0114563 A1\* 4/2017 Ye ..... A45B 23/00  
2018/0266137 A1 9/2018 Lomax  
2018/0334828 A1 11/2018 Pan  
2020/0208429 A1 7/2020 Ma

OTHER PUBLICATIONS

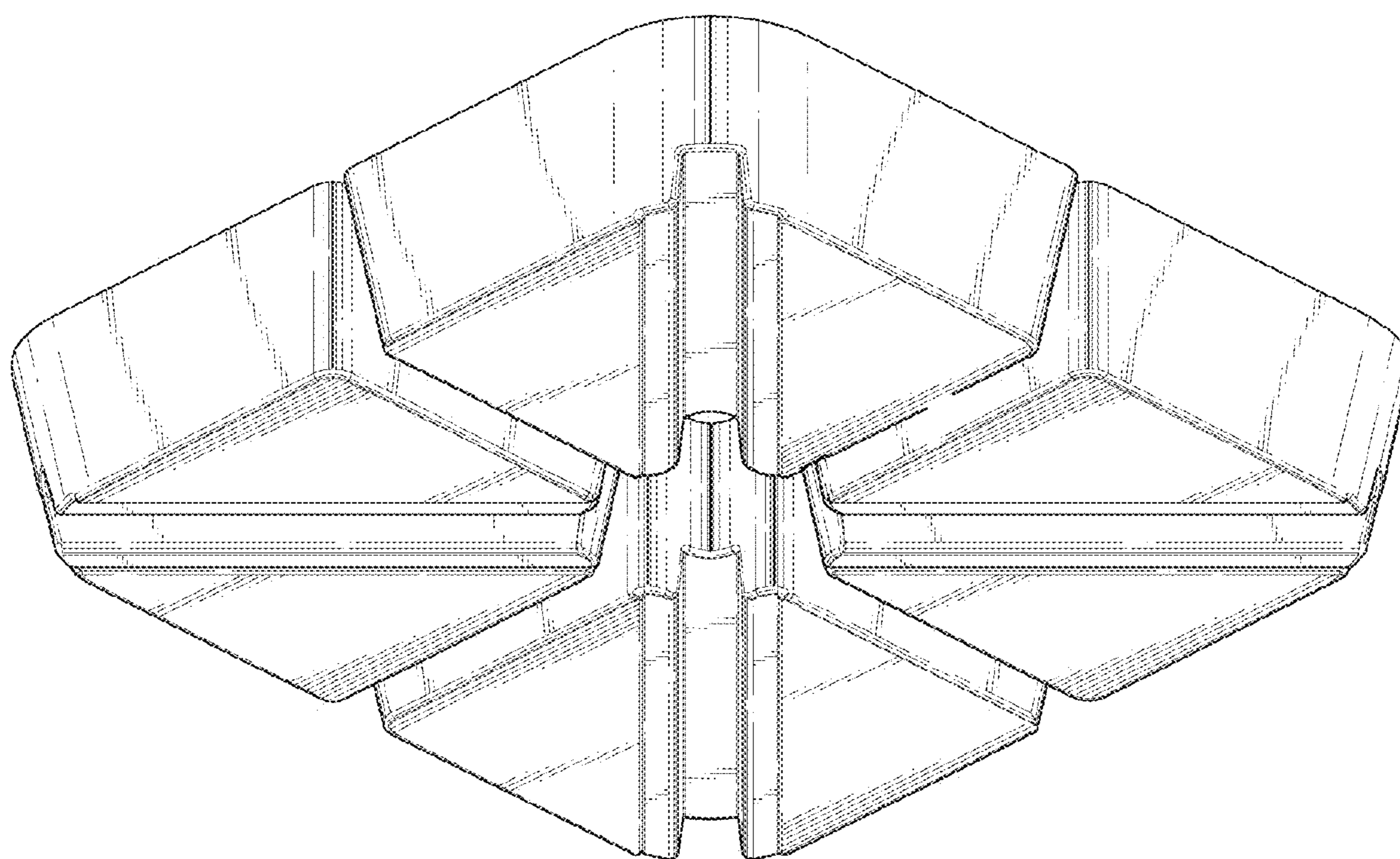
Amazon.ca, Site visited Feb. 16, 2022, Outsunny 60 Liter Water Weighted Adjustable Umbrella Stand, First available Jul. 1, 2020, <https://www.amazon.ca/Outsunny-Outdoor-Weighted-Adjustable-Umbrella/dp/B07B1TB3LY> (Year: 2020).\*

Overstock.com, Site visited Feb. 15, 2022, Hilford Cantilever 4 Piece Heavy Duty Fillable Umbrella Weighted Base Stand, Oldest review Jul. 11, 2020, <https://www.overstock.com/Home-Garden/Universal-Heavy-Duty-Plastic-Umbrella-Base-Set-of-4-Angel-Weights/23463406/customer-reviews.html> (Year: 2020).\*

\* cited by examiner



*FIG. 1*



*FIG. 2*

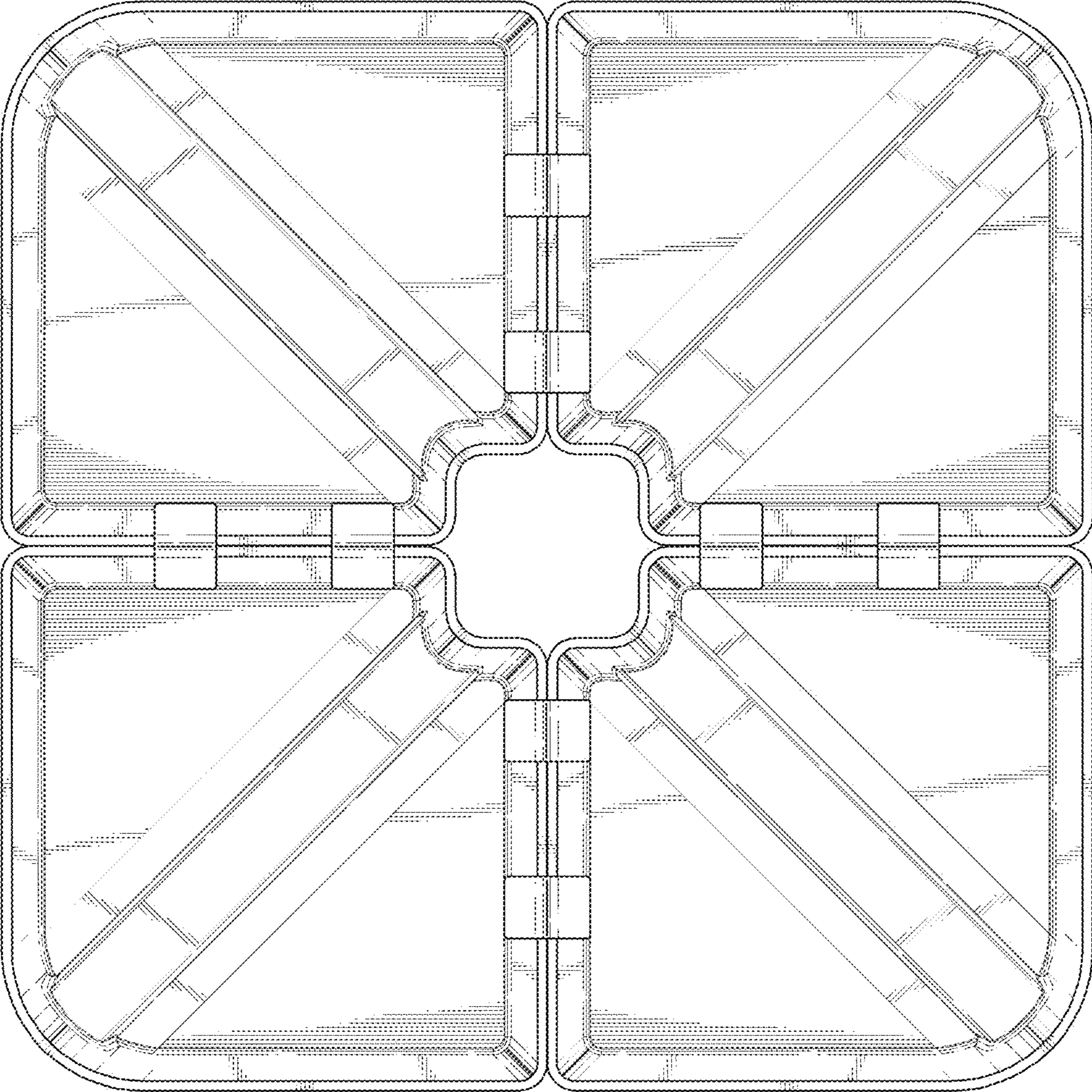


FIG. 3

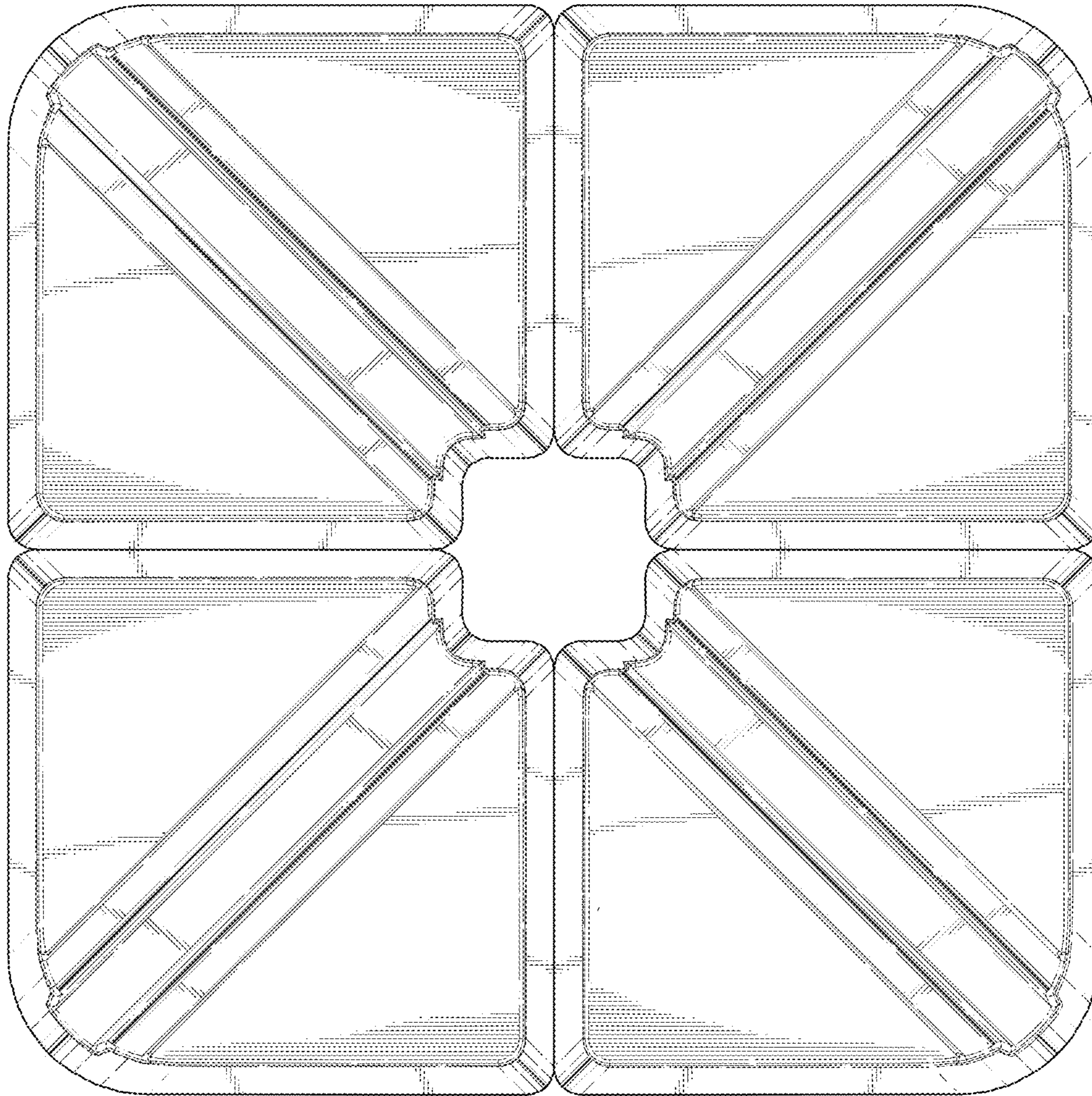
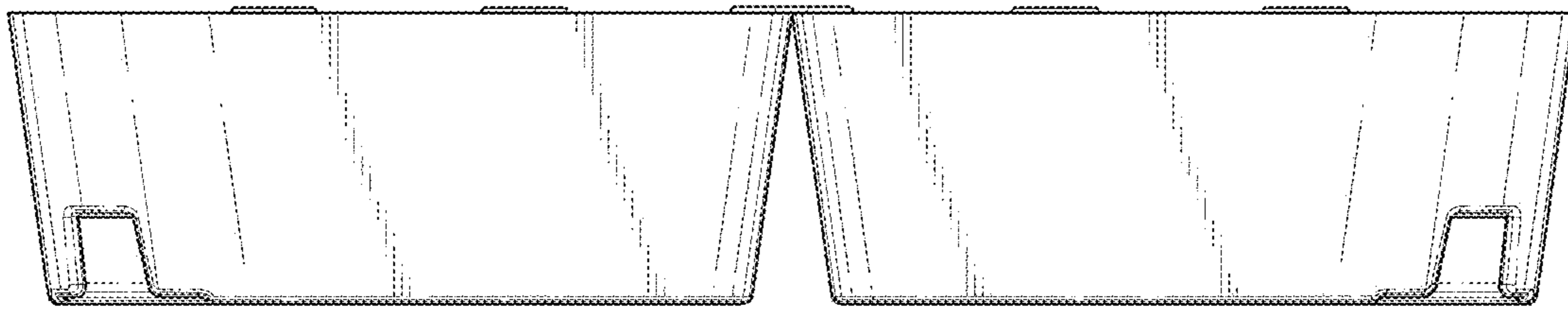
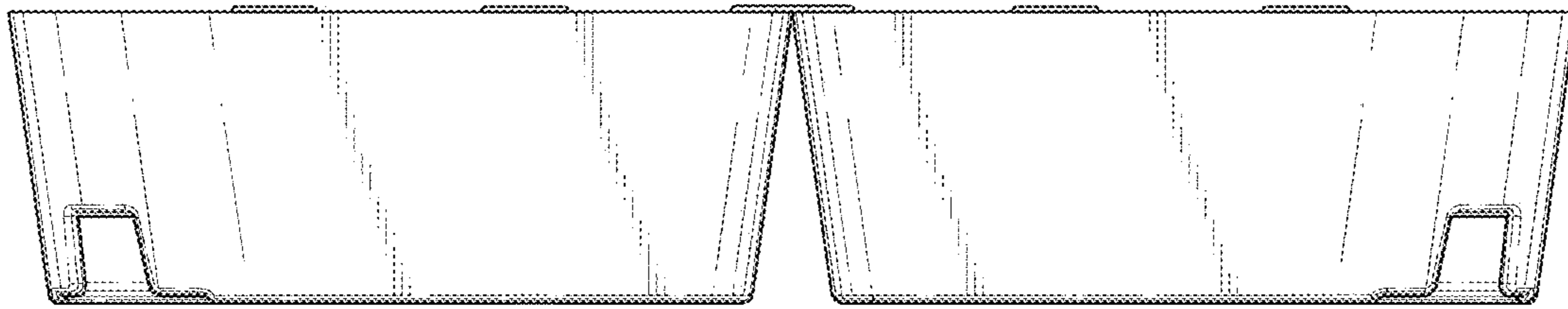


FIG. 4

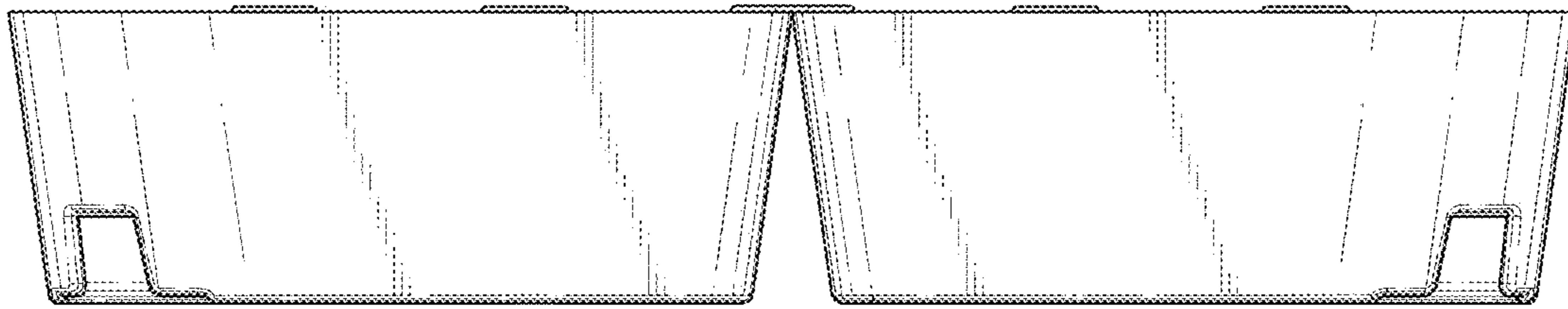


*FIG. 5*

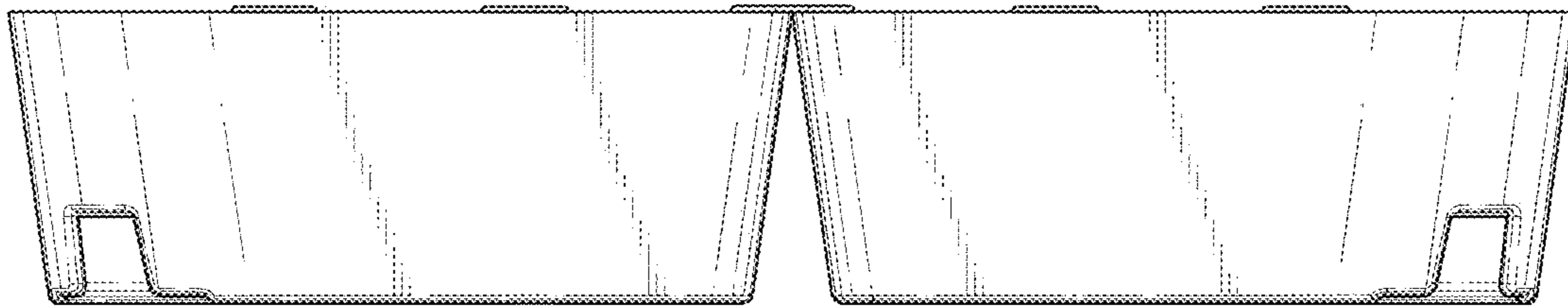


*FIG. 6*





*FIG. 7*



*FIG. 8*