



US00D952320S

(12) **United States Design Patent**
Blauer

(10) **Patent No.:** **US D952,320 S**
(45) **Date of Patent:** **** May 24, 2022**

(54) **SHOE**
(71) Applicant: **Converse Inc.**, Boston, MA (US)
(72) Inventor: **Katie Blauer**, Lexington, MA (US)
(73) Assignee: **Converse Inc.**, Boston, MA (US)
(**) Term: **15 Years**

D506,596 S * 6/2005 Kim D2/905
D507,861 S * 8/2005 Kim D2/905
D512,216 S * 12/2005 Joyce D3/203.6
D632,079 S * 2/2011 Spencer D3/301
D672,143 S * 12/2012 Buie, II A43B 3/0031
D3/262
D700,422 S 3/2014 Rauner
D700,771 S 3/2014 Rauner
D805,760 S 12/2017 Membreno
D809,279 S 2/2018 Blauer et al.
D857,391 S * 8/2019 Coleman A43C 11/00
D3/301

(21) Appl. No.: **29/744,330**

(Continued)

(22) Filed: **Jul. 28, 2020**

(51) **LOC (13) Cl.** **02-04**

(52) **U.S. Cl.**

USPC **D2/975**

(58) **Field of Classification Search**

USPC D2/902, 907, 909, 916, 944, 946, 961,
D2/969, 972-976, 979; D3/289, 299,
D3/301, 303

CPC A43B 23/081; A43B 23/10; A43B 23/06;
A43B 23/08

See application file for complete search history.

(56) **References Cited**

U.S. PATENT DOCUMENTS

D109,882 S * 5/1938 Winkel D2/974
3,018,570 A * 1/1962 Bliese A43B 23/26
36/1
4,372,060 A * 2/1983 Adamik A43B 23/26
36/136
4,507,882 A * 4/1985 Harrell A43B 1/0072
2/247
4,547,982 A * 10/1985 Gamm A43C 11/00
36/114
4,630,383 A * 12/1986 Gamm A43B 3/0031
36/134
D311,446 S * 10/1990 Merritt D2/975
D369,458 S * 5/1996 Adams A43B 1/0072
D2/946
D442,772 S * 5/2001 Dietrich D2/972

OTHER PUBLICATIONS

“Nike “Little Big Cats” Toddler Pack”; Nike News; retrieved Jul. 27, 2020; published Sep. 28, 2018; URL: <<https://news.nike.com/footwear/nike-little-big-cats-toddler-pack>>.

Primary Examiner — Kevin K Rudzinski

Assistant Examiner — Clare Ann Gannon

(74) *Attorney, Agent, or Firm* — Banner & Witcoff, Ltd.

(57) **CLAIM**

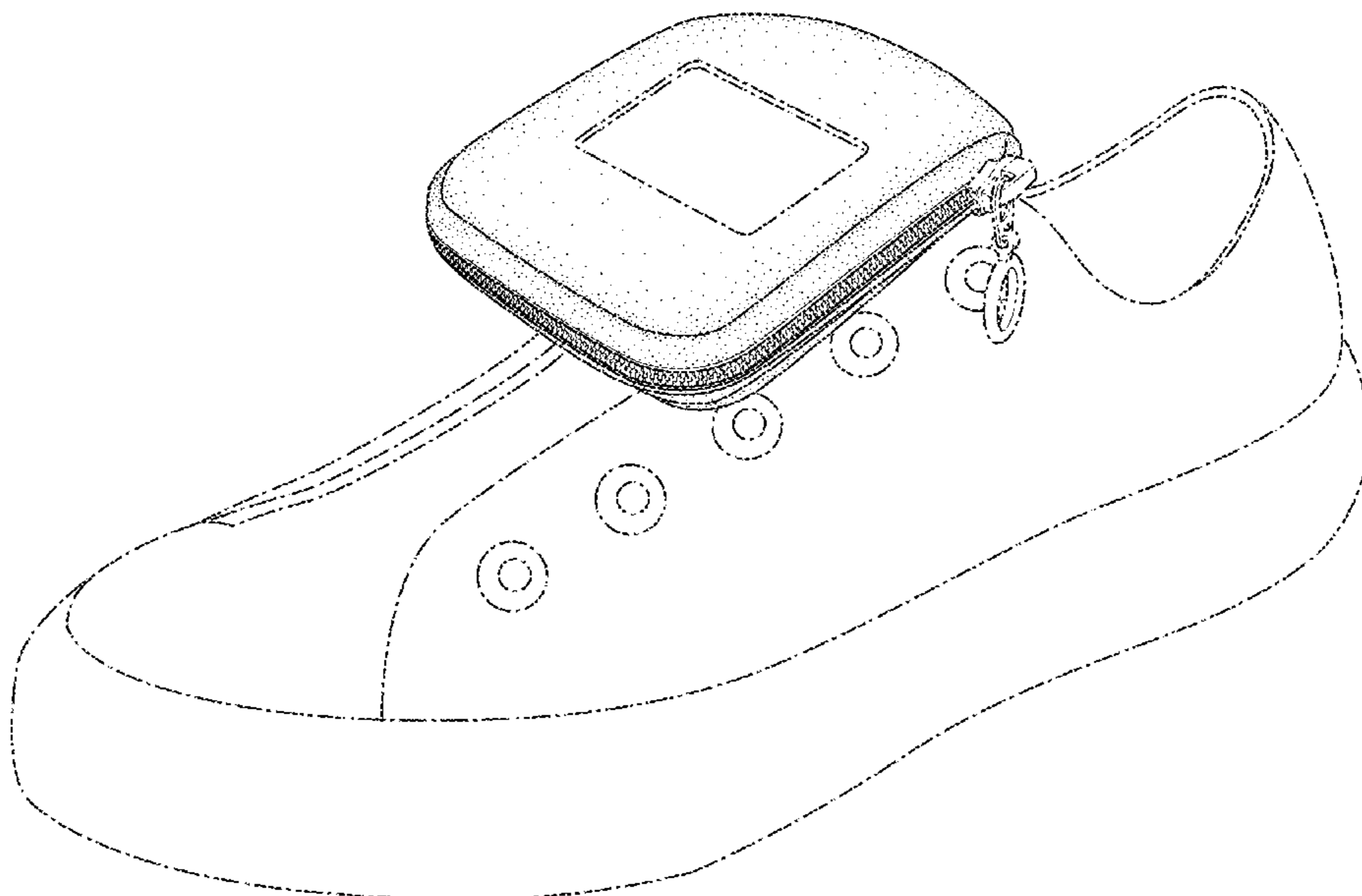
The ornamental design for a shoe, as shown and described.

DESCRIPTION

FIG. 1 is a side view of a shoe showing my new design; FIG. 2 is a front perspective view thereof; FIG. 3 is a front view thereof; FIG. 4 is an opposite side front perspective view thereof; FIG. 5 is an opposite side view thereof; and, FIG. 6 is a top view thereof.

The broken line showing of the rectangular shaped element and the unshaded area therein depict portions of the shoe that form no part of the claimed design. The broken lines depicting the zipper pull and the remainder of the shoe form no part of the claimed design.

1 Claim, 6 Drawing Sheets



(56)

References Cited

U.S. PATENT DOCUMENTS

D937,580 S * 12/2021 Huang A43B 23/26
D3/301

* cited by examiner

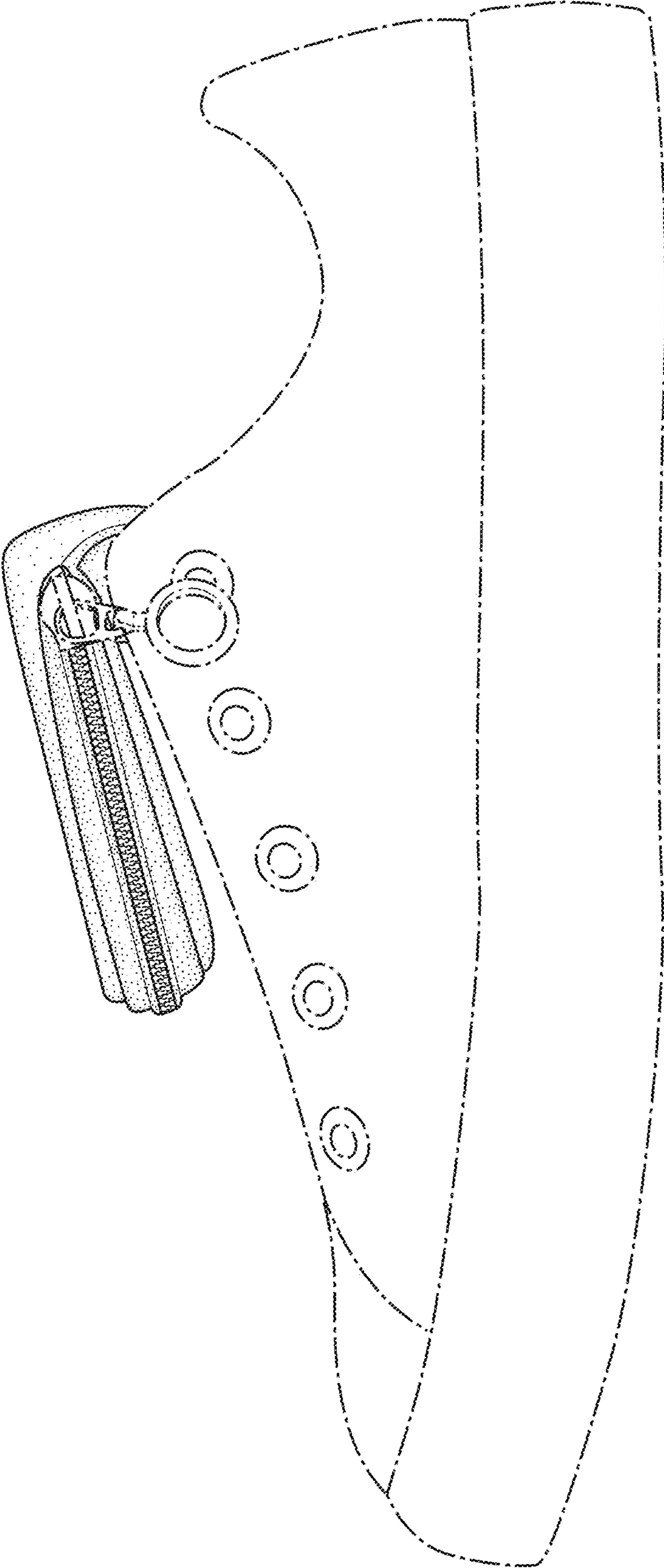


FIG. 1

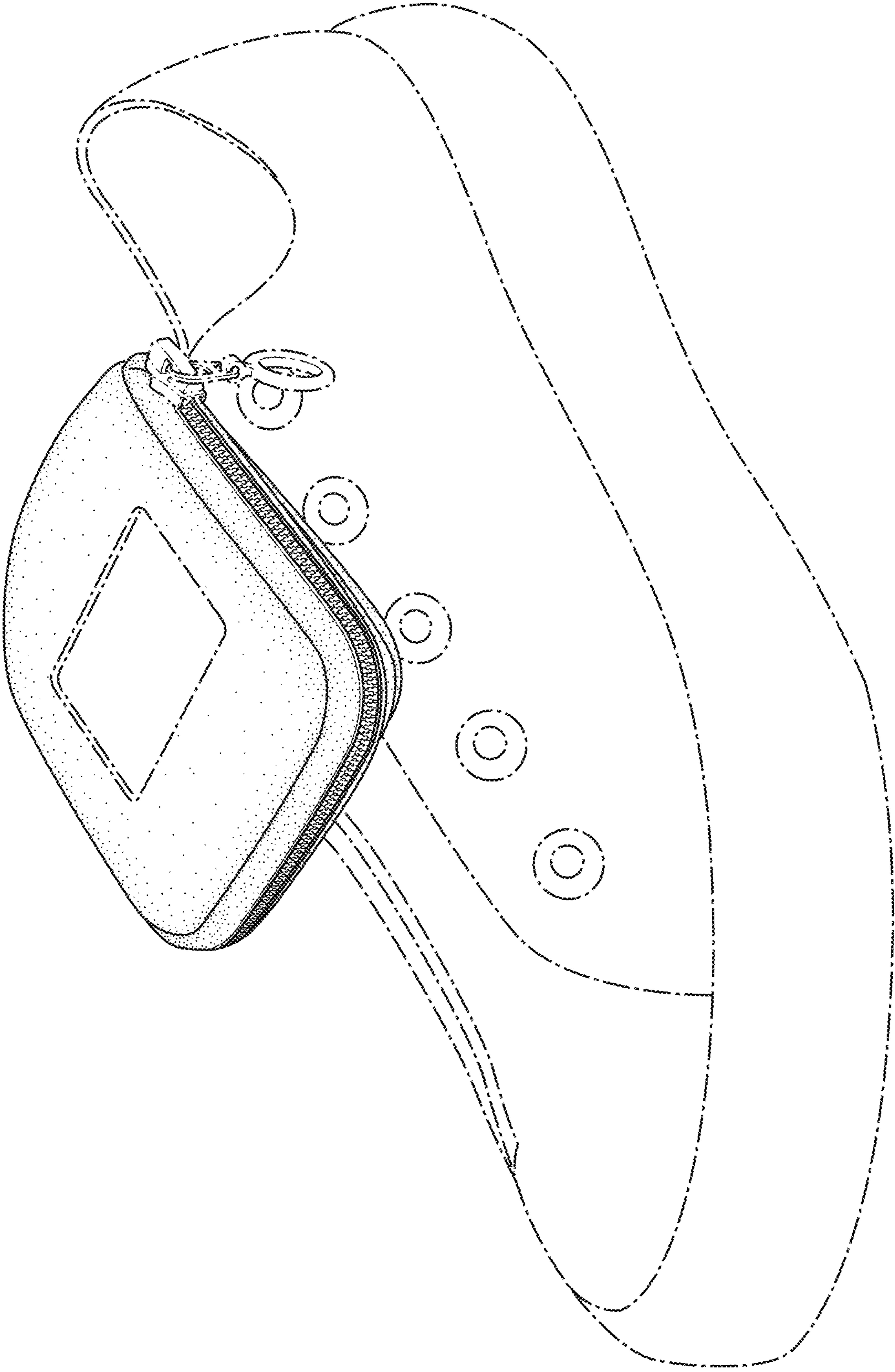


FIG. 2

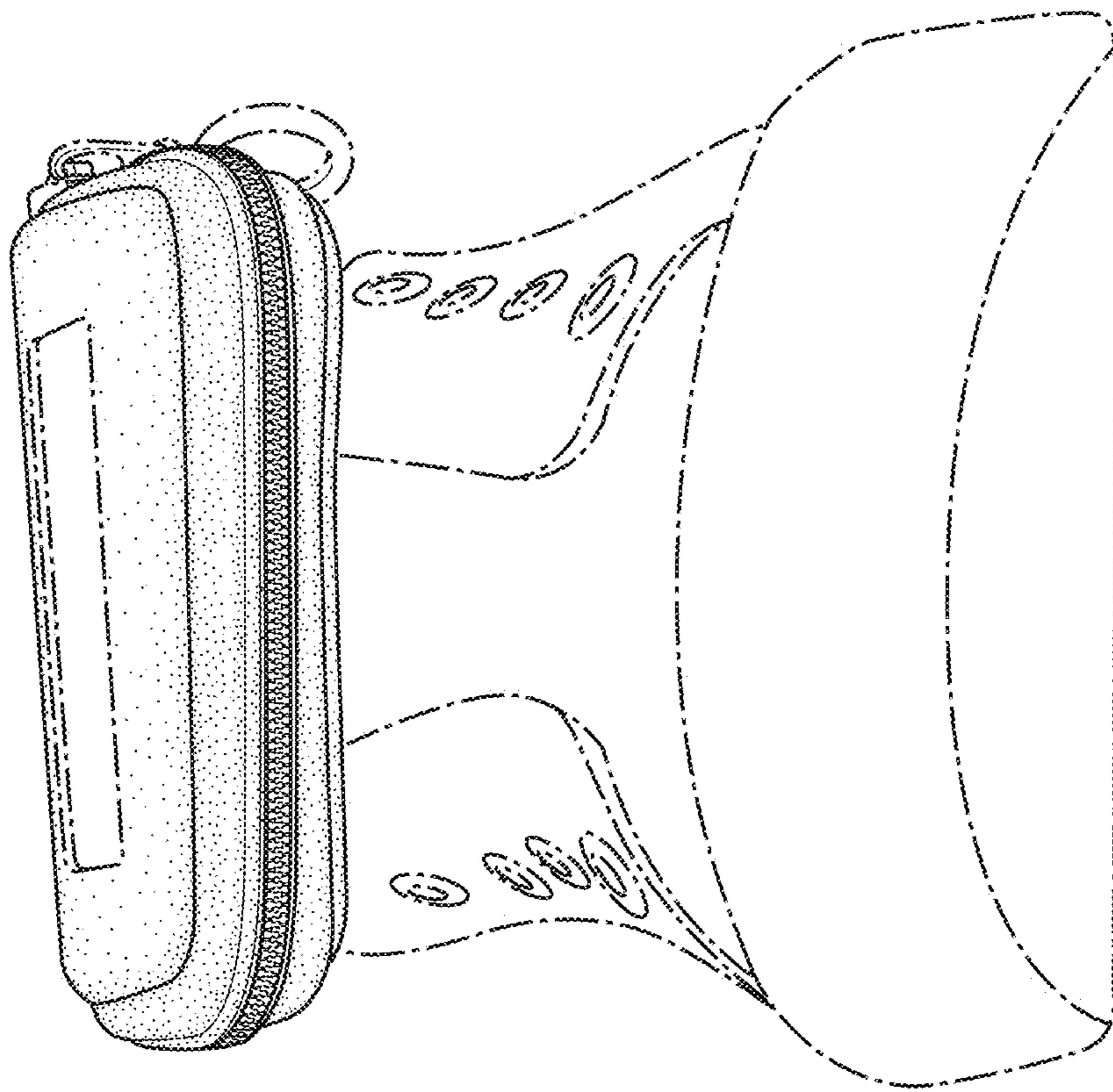


FIG. 3

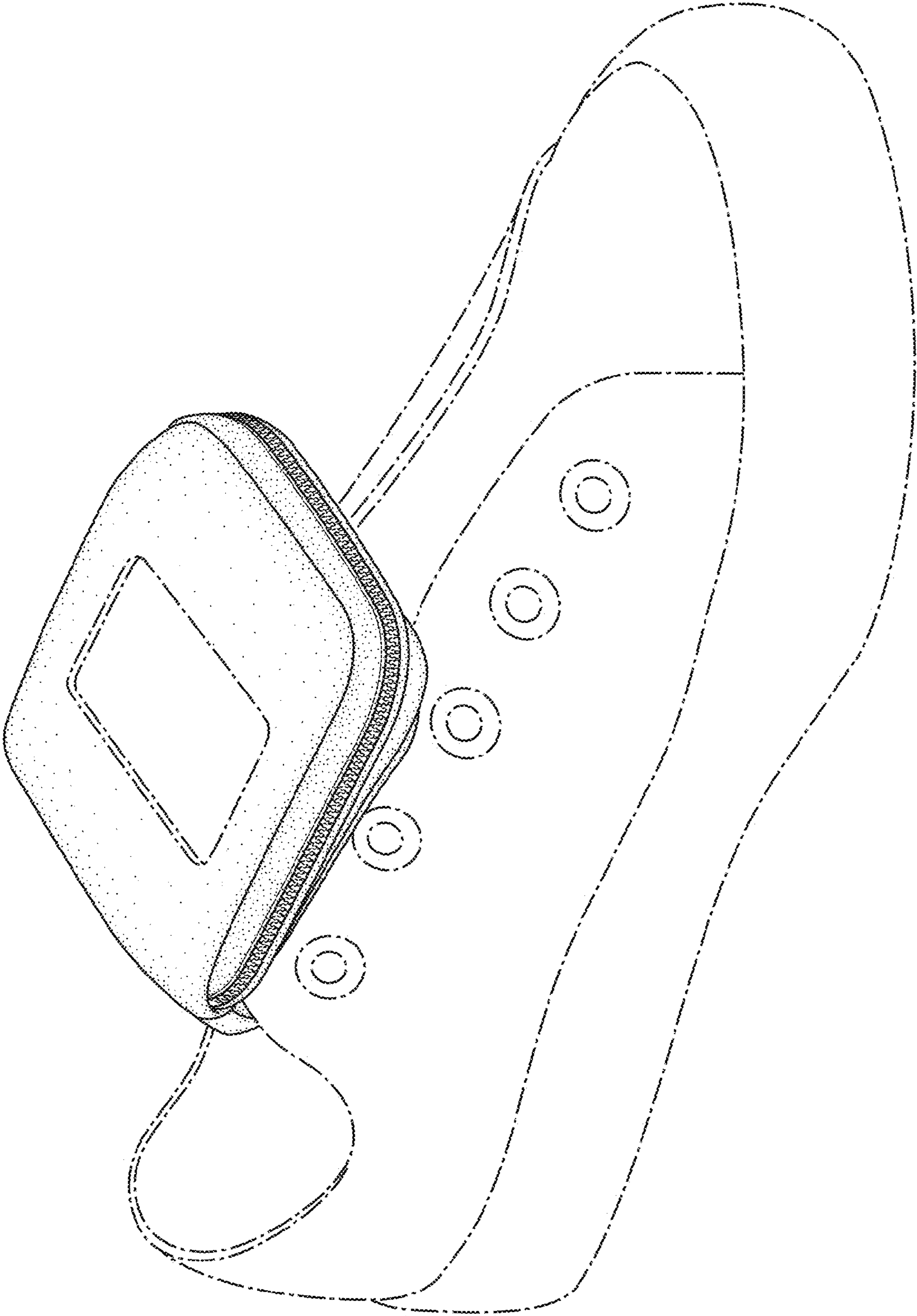


FIG. 4

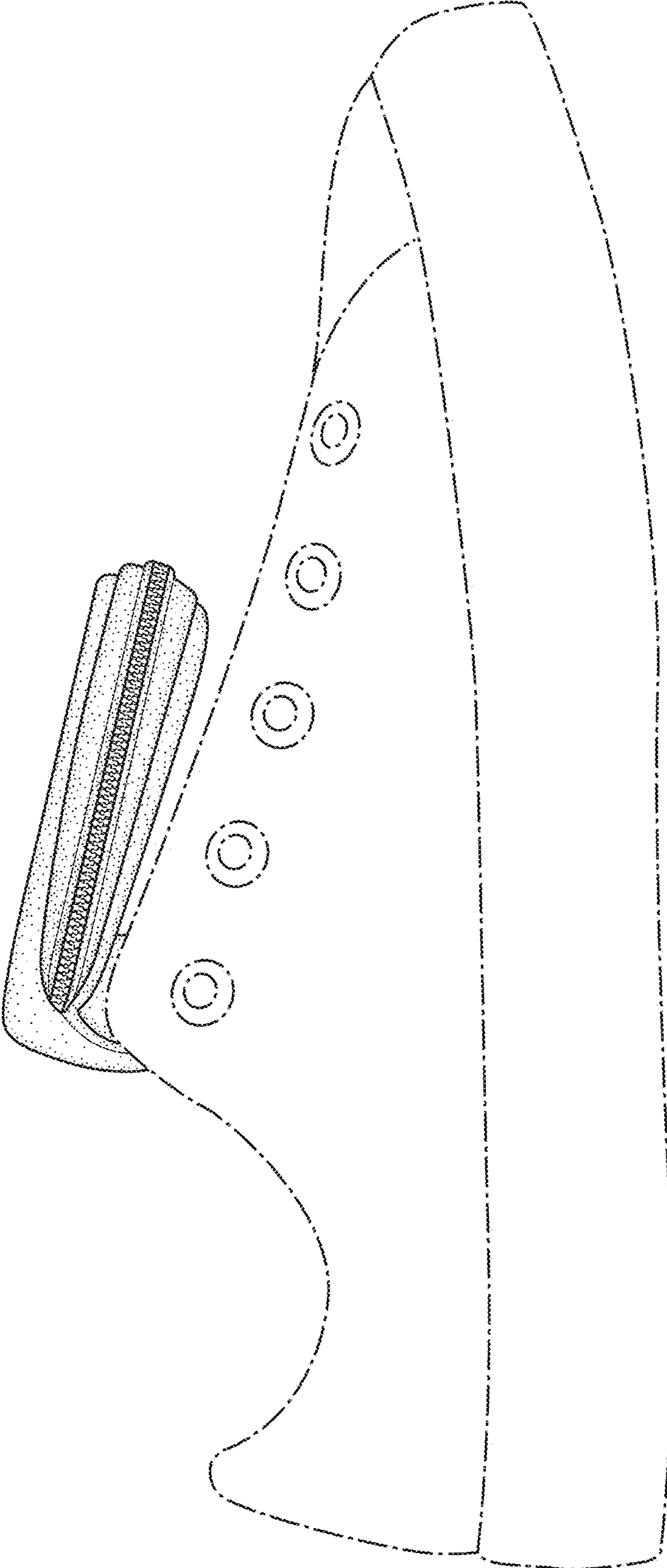


FIG. 5

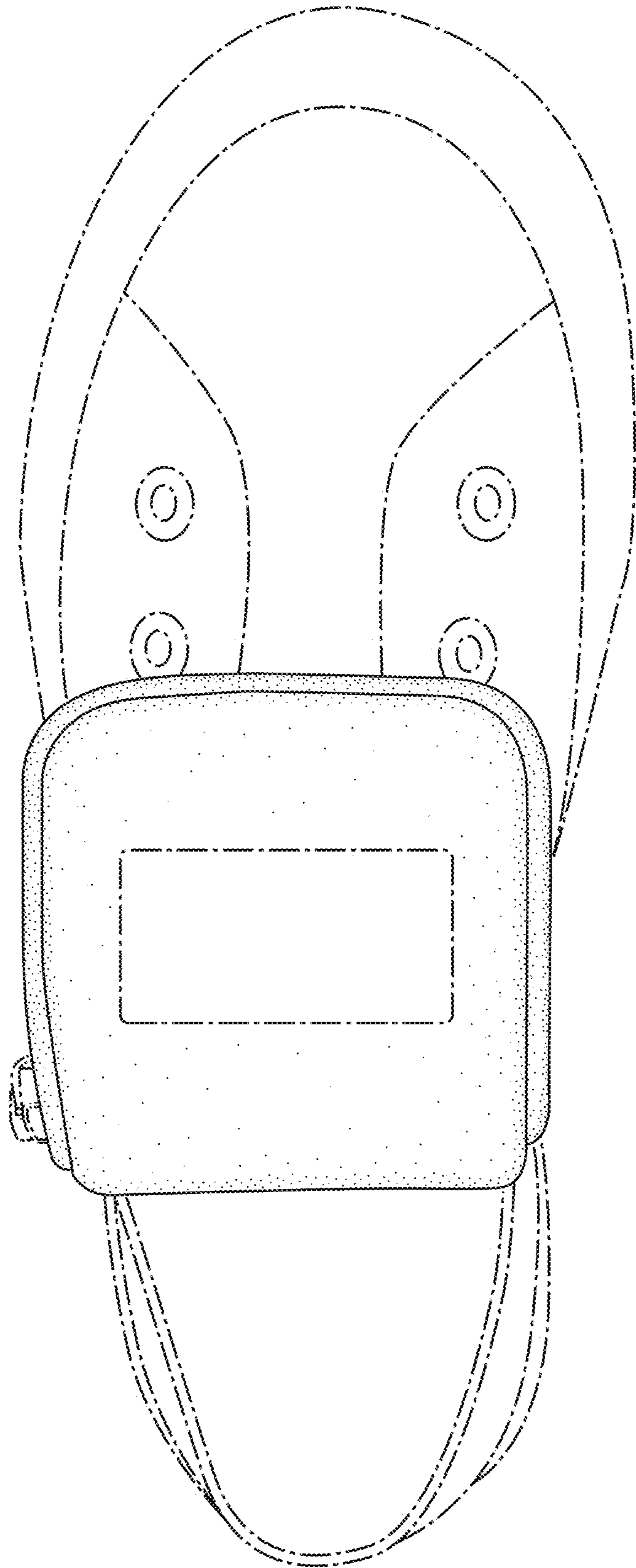


FIG. 6