



US00D952307S

(12) **United States Design Patent** (10) **Patent No.:** **US D952,307 S**
Rémy (45) **Date of Patent:** **** May 24, 2022**

- (54) **SHOE**
- (71) Applicant: **NIKE, Inc.**, Beaverton, OR (US)
- (72) Inventor: **Batiste Rémy**, Portland, OR (US)
- (73) Assignee: **NIKE, Inc.**, Beaverton, OR (US)
- (**) Term: **15 Years**
- (21) Appl. No.: **29/762,844**
- (22) Filed: **Dec. 18, 2020**
- (51) **LOC (13) Cl.** **02-04**
- (52) **U.S. Cl.**
USPC **D2/962**
- (58) **Field of Classification Search**
USPC D2/902-908, 914, 947-963, 976-978
CPC A43B 1/00; A43B 1/08; A43B 1/10; A43B 1/14; A43B 13/00; A43B 13/04; A43B 13/10; A43B 13/12; A43B 13/14; A43B 13/26; A43B 5/00; A43B 5/002; A43B 5/02; A43B 5/18; A43B 5/185
See application file for complete search history.

- D778,557 S 2/2017 Lee et al.
- D779,803 S * 2/2017 Lee D2/951
- D783,248 S 4/2017 Woodman
- D793,055 S 8/2017 Woodman
- D798,562 S 10/2017 de Montgolfier
- 9,820,529 B2 11/2017 Droege et al.
- (Continued)

OTHER PUBLICATIONS

Nike Tiempo Legend 9 'Recharge Pack' Boots Released, , announced Nov. 9, 2021 [online], [site visited Feb. 22, 2022], Available from internet, URL: <https://www.footyheadlines.com/2021/10/grey-fog-nike-tiempo-legend-9-2021-boots.html> (Year: 2021).*

(Continued)

Primary Examiner — Elizabeth J Oswecki
Assistant Examiner — Yelizaveta Y Masalimova
(74) *Attorney, Agent, or Firm* — Banner & Witcoff, Ltd.

(57) **CLAIM**

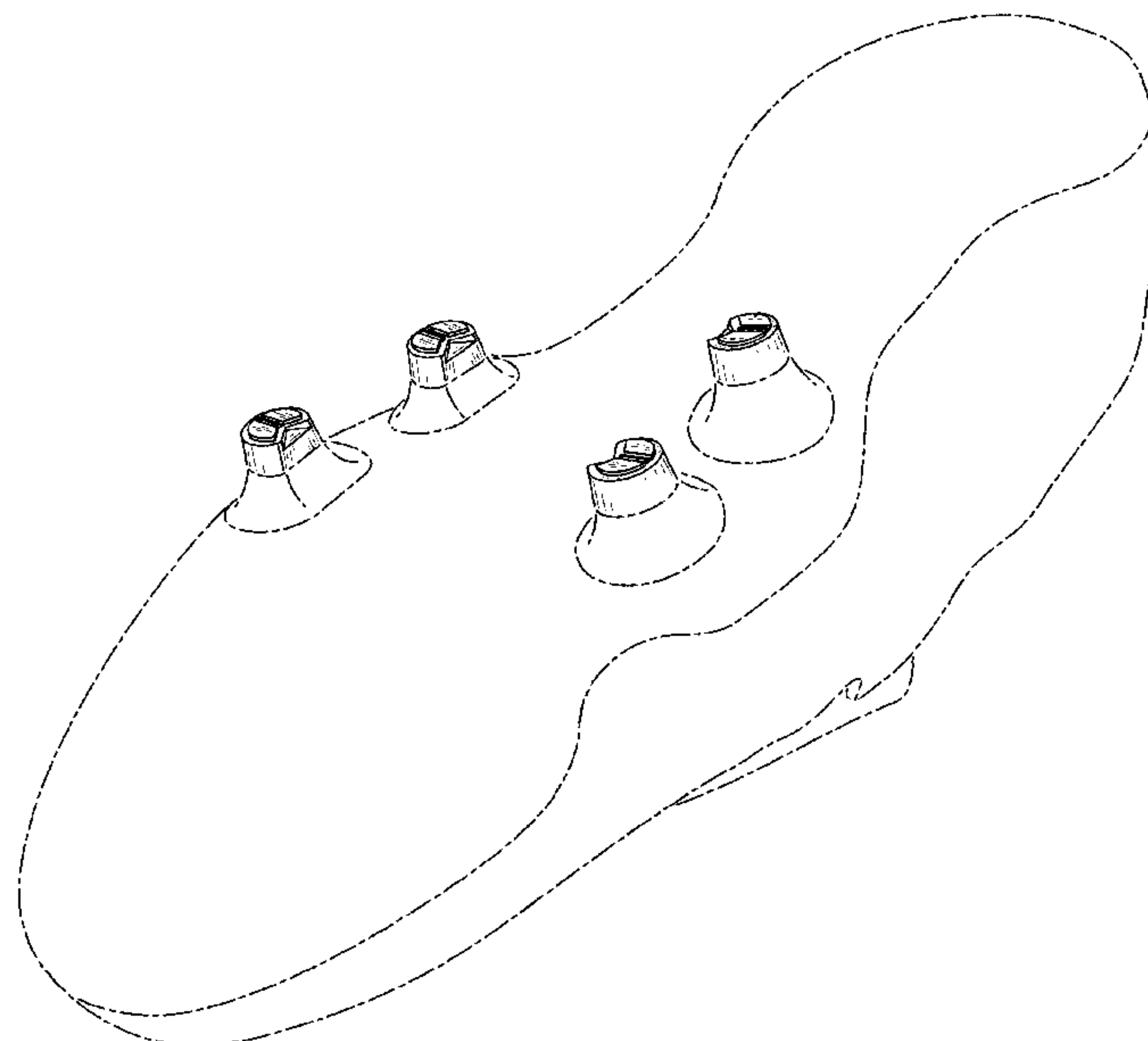
The ornamental design for a shoe, as shown and described.

DESCRIPTION

FIG. 1 is a front perspective view of a shoe showing my new design;
FIG. 2 is a bottom view thereof;
FIG. 3 is a rear perspective view thereof;
FIG. 4 is an enlarged view of the claim as shown in FIG. 1 with certain environment removed for clarity purposes;
FIG. 5 is an enlarged view of the claim as shown in FIG. 2 with certain environment removed for clarity purposes; and,
FIG. 6 is an enlarged view of the claim as shown in FIG. 3 with certain environment removed for clarity purposes.
The broken lines immediately adjacent to the shaded area define the bounds of the claimed design and form no part thereof. The broken lines depicting the remainder of the shoe form no part of the claimed design.

1 Claim, 6 Drawing Sheets

- (56) **References Cited**
U.S. PATENT DOCUMENTS
- D99,701 S 5/1936 Calderazzo
- D198,306 S 6/1964 Hanko
- D223,557 S * 5/1972 Dickerson D2/965
- D554,830 S 11/2007 Fullum
- D617,542 S * 6/2010 Stauffer D2/962
- D675,416 S * 2/2013 Minami D2/962
- D683,942 S 6/2013 Dekovic
- D684,756 S 6/2013 Dekovic
- D688,037 S * 8/2013 Dekovic D2/962
- D743,679 S 11/2015 McLachlan
- D743,680 S 11/2015 McLachlan
- 9,173,450 B2 * 11/2015 Minami A43C 15/02
- D744,215 S 12/2015 McLachlan
- D778,556 S 2/2017 Lee et al.



(56)

References Cited

U.S. PATENT DOCUMENTS

D804,790 S 12/2017 de Montgolfier
 D846,852 S 4/2019 Lee
 D853,101 S 7/2019 de Montgolfier et al.
 D854,803 S 7/2019 de Montgolfier et al.
 D854,804 S * 7/2019 Woodman D2/962
 D862,858 S * 10/2019 Roman D2/947
 D897,085 S * 9/2020 Fallon D2/962
 D899,744 S 10/2020 Lee
 D899,745 S 10/2020 Lee
 D899,747 S 10/2020 Van Atta
 D900,457 S 11/2020 Lee
 2004/0159020 A1 8/2004 Briant et al.
 2013/0047465 A1 2/2013 Auger et al.
 2013/0061498 A1 3/2013 Droege et al.
 2013/0318831 A1 12/2013 Foxen
 2014/0366402 A1* 12/2014 Cavaliere A43B 13/04
 12/146 B
 2016/0058109 A1 3/2016 Schiller et al.
 2016/0278484 A1 9/2016 Aslani et al.
 2017/0202301 A1 7/2017 Amis et al.

2017/0273408 A1 9/2017 Orand et al.
 2020/0281306 A1* 9/2020 Shimizu B29D 35/122
 2021/0401123 A1* 12/2021 Weidl A43B 13/184

OTHER PUBLICATIONS

U.S., filed Dec. 18, 2020.
 “Laced Up: Nike Tiempo Legend 8 Review”; Soccer Bible; retrieved Nov. 19, 2020; published Jul. 4, 2019; URL: <<https://www.soccerbible.com/performance/football-boots/2019/07/laced-up-nike-tiempo-legend-8-review/>>.
 “Review: Nike Tiempo Legend 8”; BOOTHYPE; retrieved Nov. 19, 2020; published Sep. 25, 2019; URL: <<https://boothype.com/2019/09/25/review-nike-tiempo-legend-8/#.~:text=ln%20a%20match%20situation%2C%20the,the%20boot%20might%20polarize%20purists.>>>.
 “Nike Tiempo Legend 8 Pro Cleat Review”; soccer.com; retrieved Nov. 19, 2020; published Jul. 23, 2019; URL: <<https://www.soccer.com/guide/tiempo-legend-8-pro-review>>.
 Next Gen Nike Tiempo Legend 9 Boots Leaked, announced Jun. 19, 2021 [online], [site visited Dec. 28, 2021]. Available from internet, URL: <https://www.footyheadlines.com/2021/02/leaked-next-gen-nike-tiempo-legend-9.html> (Year: 2021).

* cited by examiner

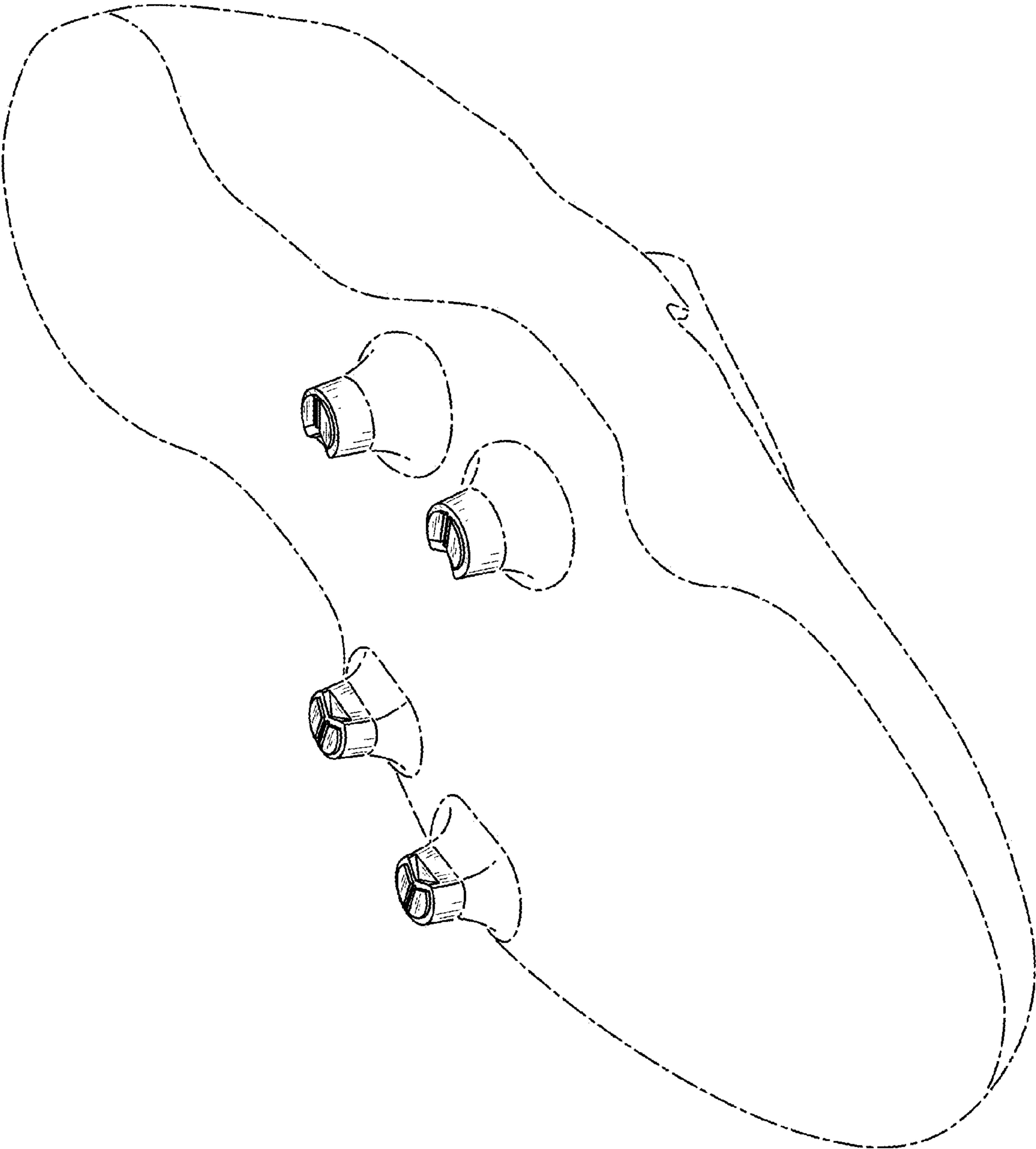


FIG. 1

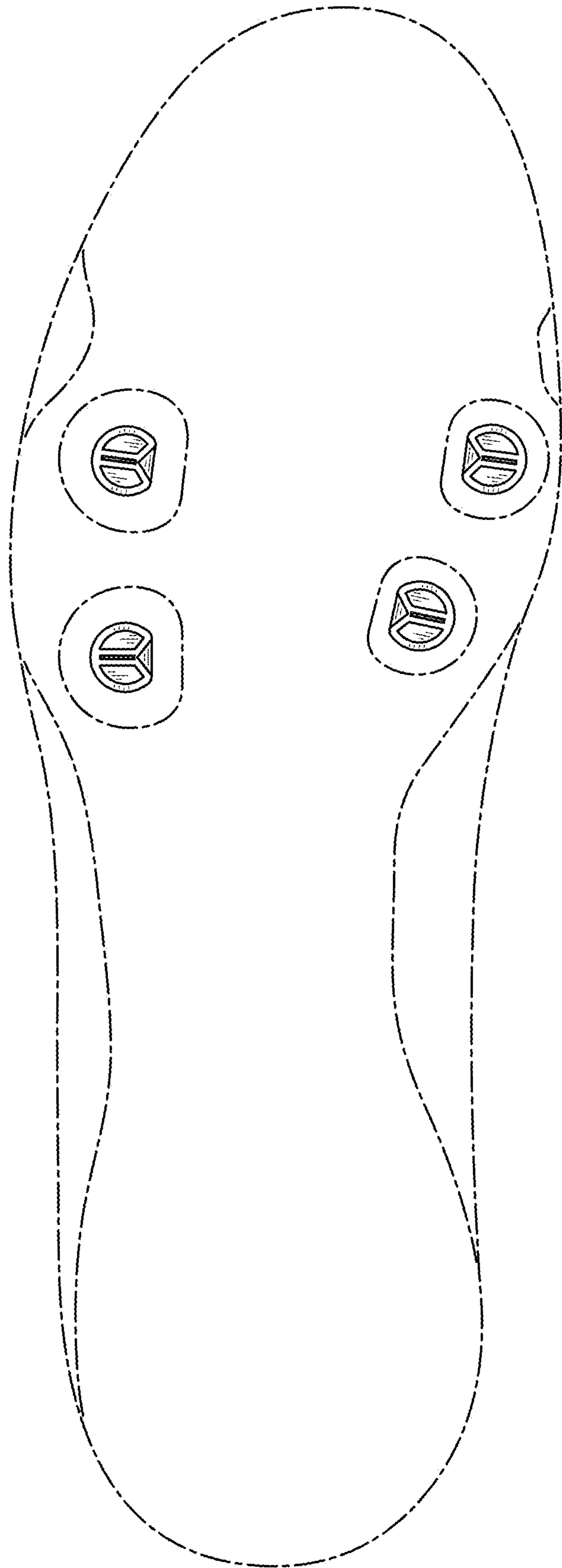


FIG. 2

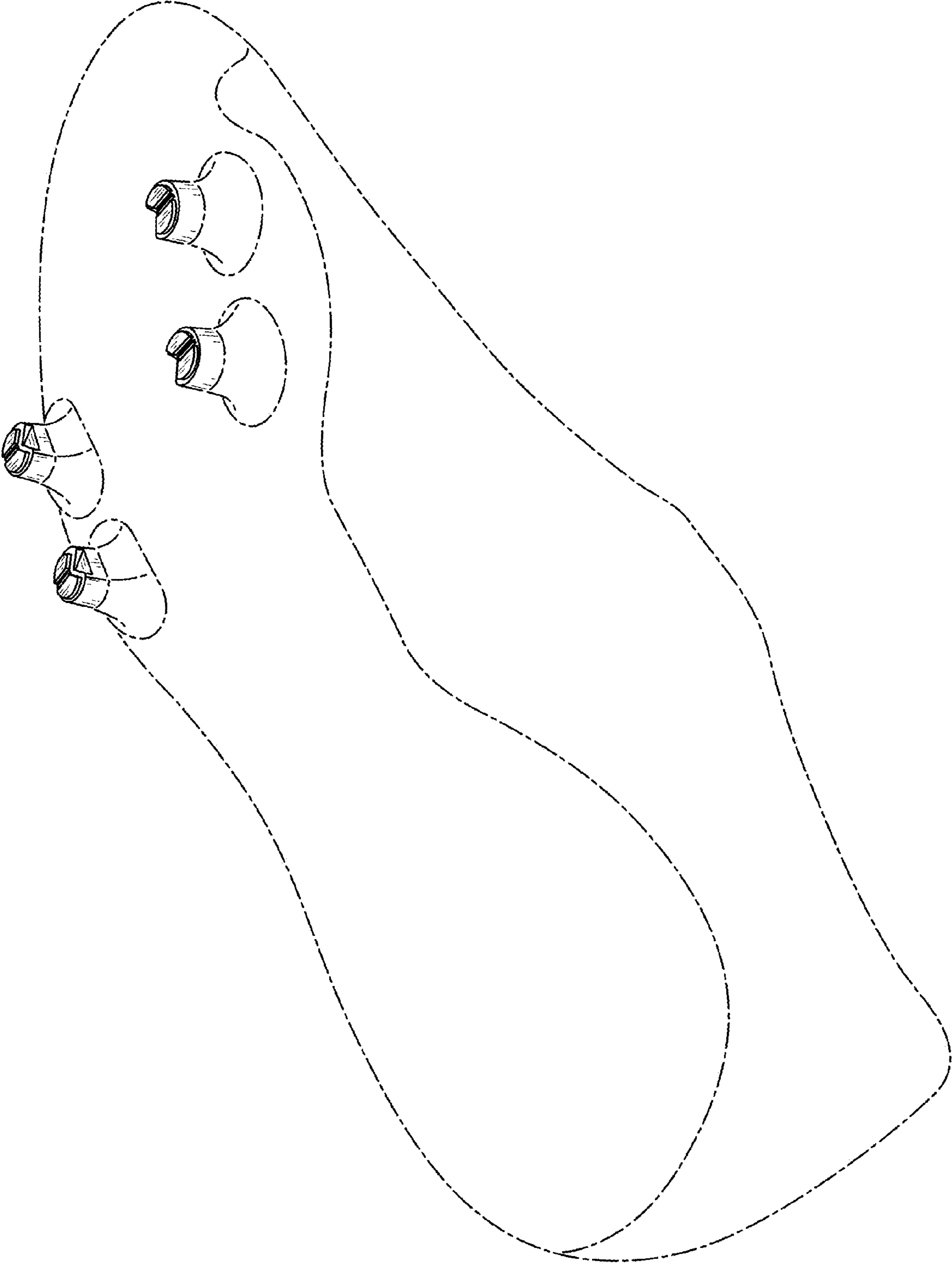


FIG. 3

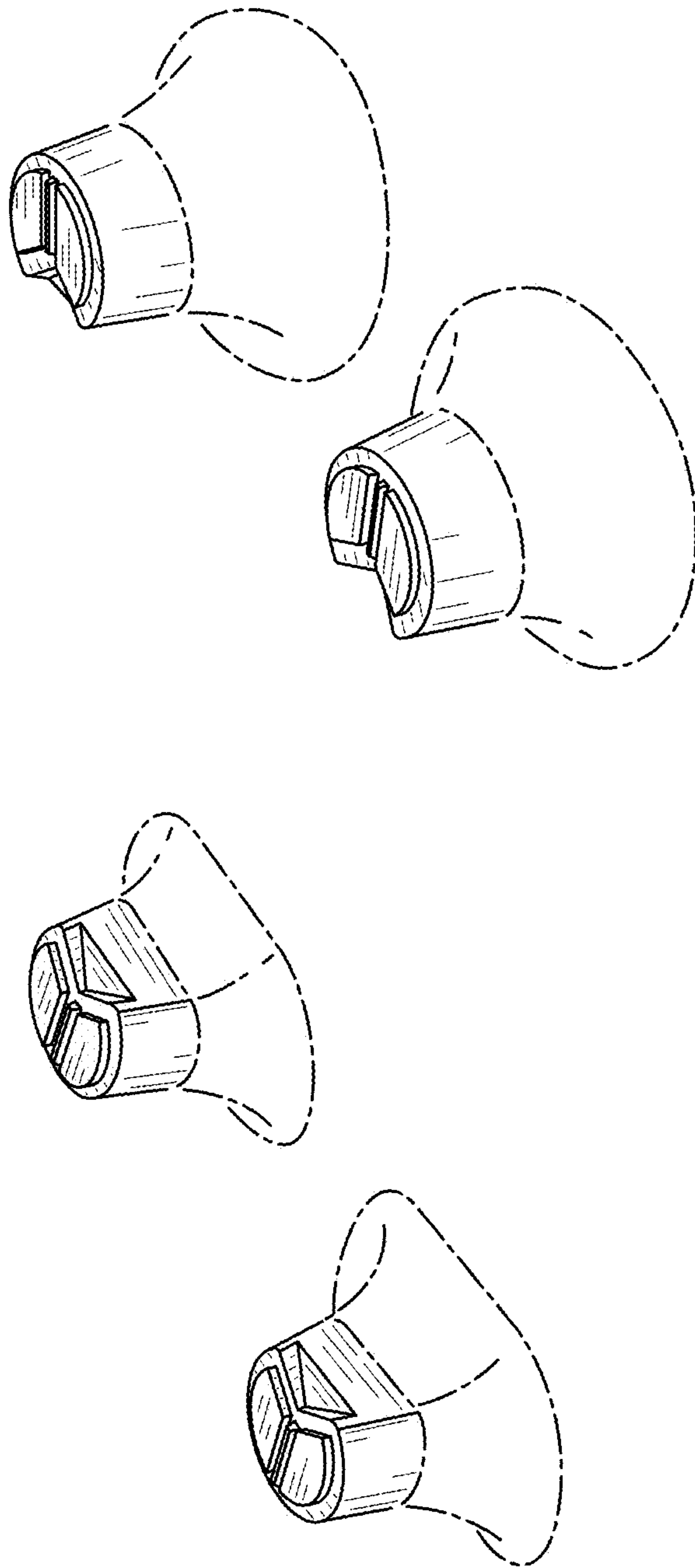


FIG. 4

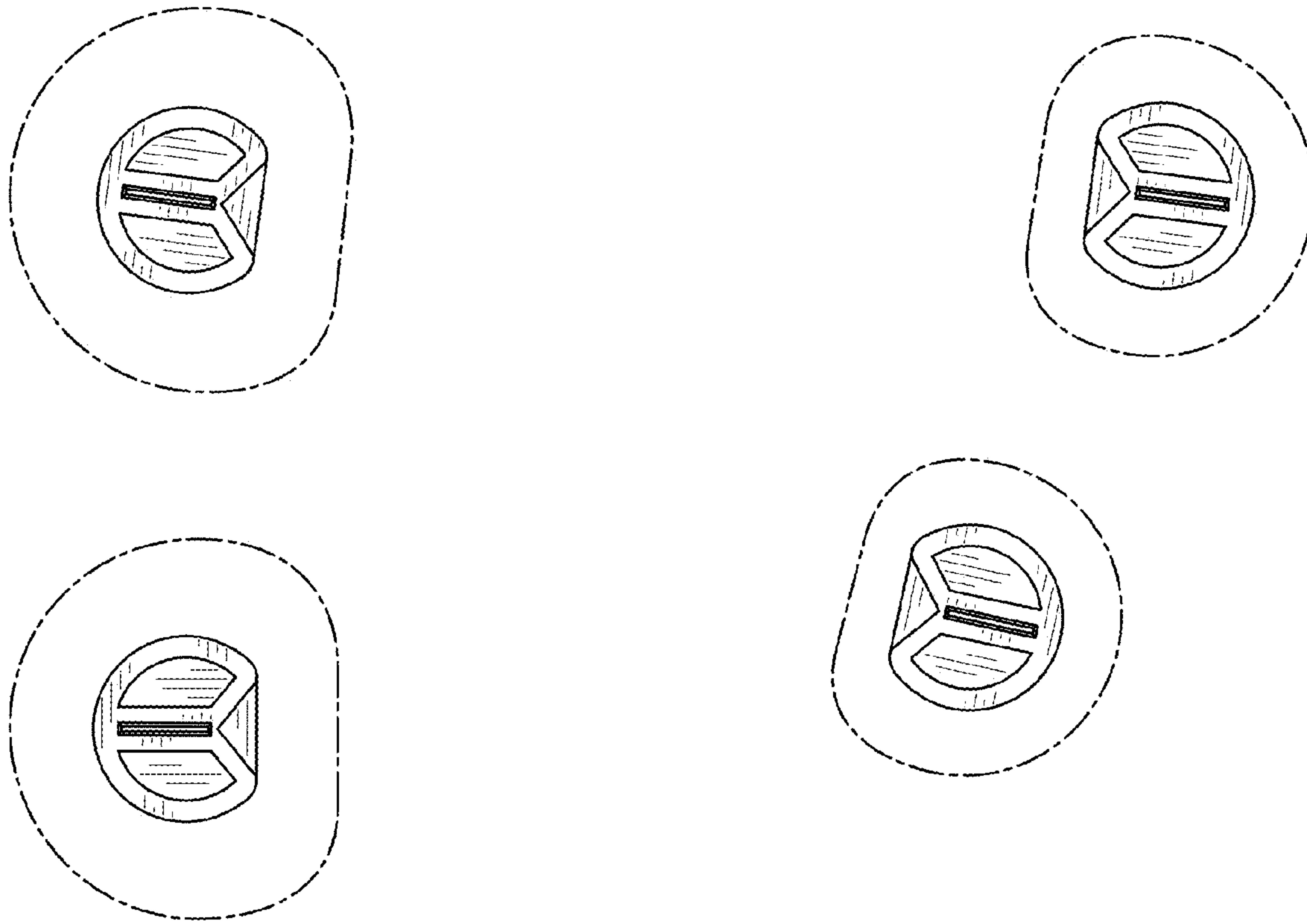


FIG. 5

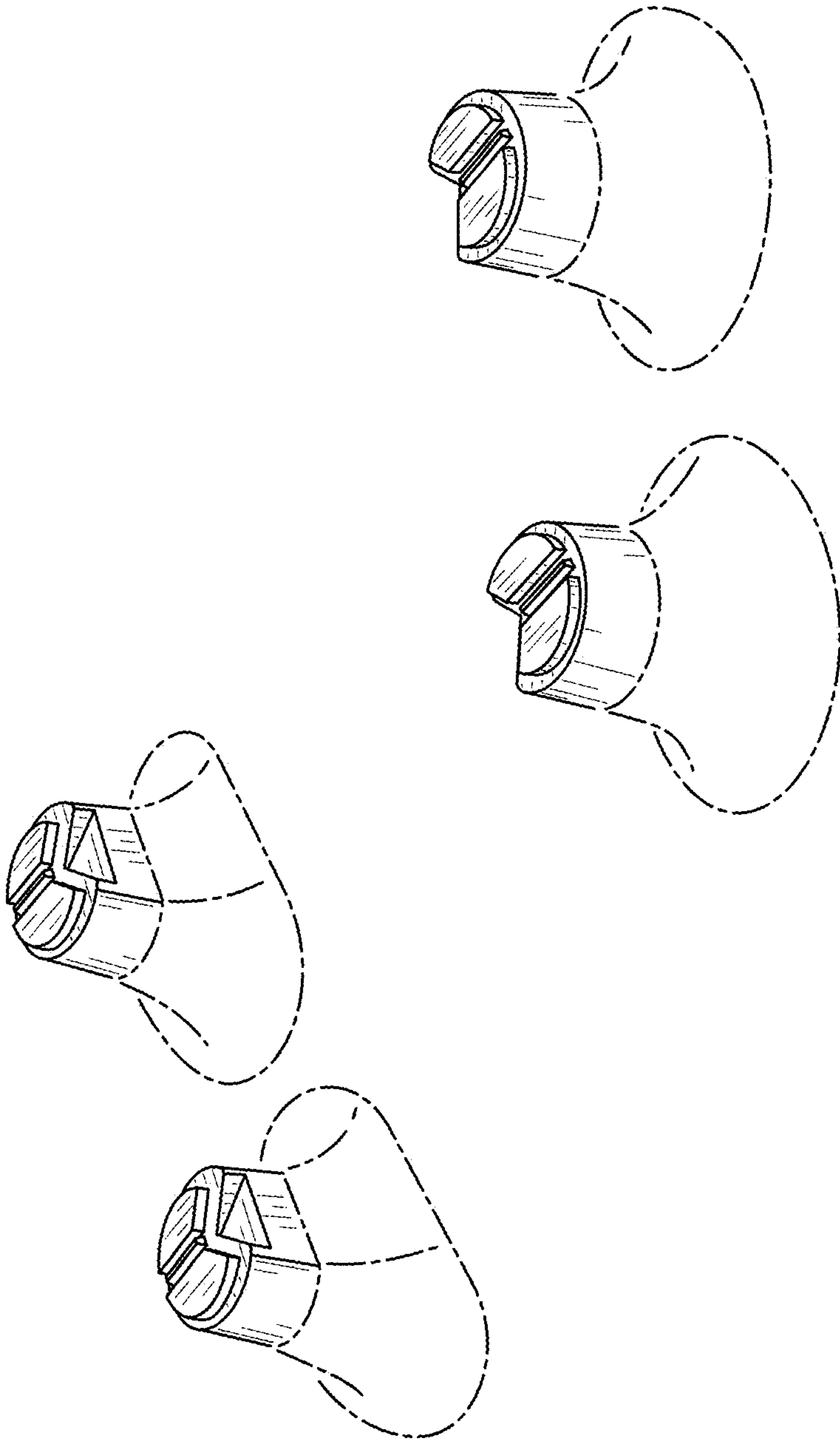


FIG. 6