



US00D952293S

(12) **United States Design Patent** (10) **Patent No.:** **US D952,293 S**
Long (45) **Date of Patent:** **** May 24, 2022**

(54) **GARMENT**

(71) Applicant: **Dallas Long**, Alliance, OH (US)

(72) Inventor: **Dallas Long**, Alliance, OH (US)

(**) Term: **15 Years**

(21) Appl. No.: **29/737,301**

(22) Filed: **Jun. 8, 2020**

(51) **LOC (13) Cl.** **02-02**

(52) **U.S. Cl.**
USPC **D2/831**

(58) **Field of Classification Search**
USPC D2/728, 750, 751, 753, 755, 784, 825,
D2/828, 829, 830, 831, 838, 839, 840,
D2/841, 844
CPC ... A41D 1/02; A41D 1/04; A41D 3/00; A41D
3/02; A41D 3/04; A41D 15/00; A41D
27/20; A41D 27/201

See application file for complete search history.

(56) **References Cited**

U.S. PATENT DOCUMENTS

1,243,206	A	10/1917	Norman	
1,497,685	A	6/1924	Hoyme	
2,344,010	A	3/1944	Walsh	
2,420,344	A	5/1947	Alexander	
D355,068	S *	2/1995	Prendergast	D2/719
5,697,102	A	12/1997	Benjamin	
5,720,043	A	2/1998	White, Sr.	
D613,929	S *	4/2010	Casey	D2/839
D671,714	S *	12/2012	McCarroll	D2/831
D683,523	S	6/2013	Freedman	
D688,848	S *	9/2013	Hawthorne	D2/831
D732,799	S *	6/2015	Smith	D2/831
D801,639	S *	11/2017	Ingram	D2/831
D803,519	S *	11/2017	Hedin	D2/724
D821,058	S *	6/2018	Coates	D2/724

D833,111	S *	11/2018	Coates	D2/724
D874,092	S *	2/2020	Memis	D2/724
D889,074	S *	7/2020	Jennings	D2/720
2013/0212772	A1 *	8/2013	Apostoloff	A41D 3/00 2/93
2015/0201680	A1 *	7/2015	Lee	A41D 1/21 2/93

FOREIGN PATENT DOCUMENTS

EM 002563049-0001 * 11/2014

OTHER PUBLICATIONS

Verabella. "Verabella Boys Girls' Plush Soft Fleece Printed Hooded Cover up". First Avail: Apr. 18, 2018 [visited: Oct. 26, 2021] Amazon URL: <https://www.amazon.com/Verabella-Bathrobe-Fleece-Mermaid-Printed/dp/B07CHD5HXP/ref=> (Year: 2018).*

(Continued)

Primary Examiner — Marissa J Cash
Assistant Examiner — Jessie Anne E Touart

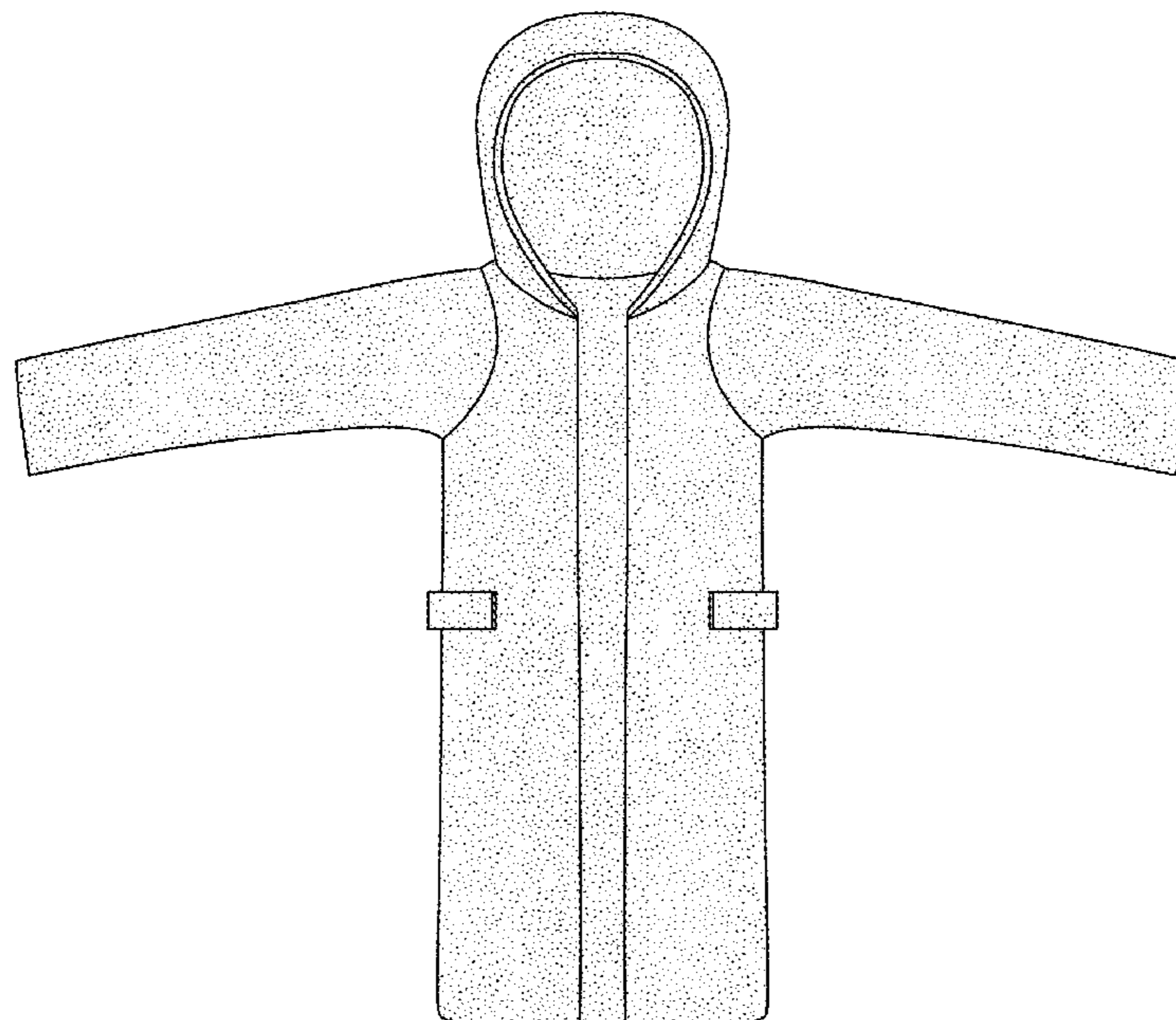
(57) **CLAIM**

The ornamental design for a garment, as shown and described.

DESCRIPTION

FIG. 1 is a front view of a garment showing my new design; FIG. 2 is a rear view of the garment; FIG. 3 is a right side view of the garment; FIG. 4 is a left side view of the garment; FIG. 5 is a top view of the garment; FIG. 6 is a bottom view of the garment; and, FIG. 7 is a top front side perspective view of the garment.

1 Claim, 6 Drawing Sheets



(56)

References Cited

OTHER PUBLICATIONS

DeWit, Jess. "18" Doll Robe Free Pattern" Oldest Comment: Dec. 1, 2014 [visited: Nov. 24, 2021] FleeceFun URL: <https://www.fleecefun.com/18-doll-robe-free-pattern/> (Year: 2014).*

Losorn ZPY. "Toddler Unisex Baby Robe Hooded Fleece Bathrobe and Towel for Kids 9-36 Month" First Avail. Dec. 17, 2015 [visited: Oct. 26, 2021] Amazon URL: https://www.amazon.com/Toddler-Unisex-Hooded-Fleece-Bathrobe/dp/B019H141TI/ref=sr_1_56?dchild=1&keywords=toddler+bathrobe&qid=1635260708&sr=8-56 (Year: 2015).*

PopClotre. "PopClotre Kids Boys Girls Flannel Bathrobes Soft Hooded Robes" First Avail: Aug. 13, 2019 [visited: Nov. 24, 2021] Amazon URL: <https://www.amazon.com/dp/B07WMF8MX9/ref> (Year: 2019).*

* cited by examiner

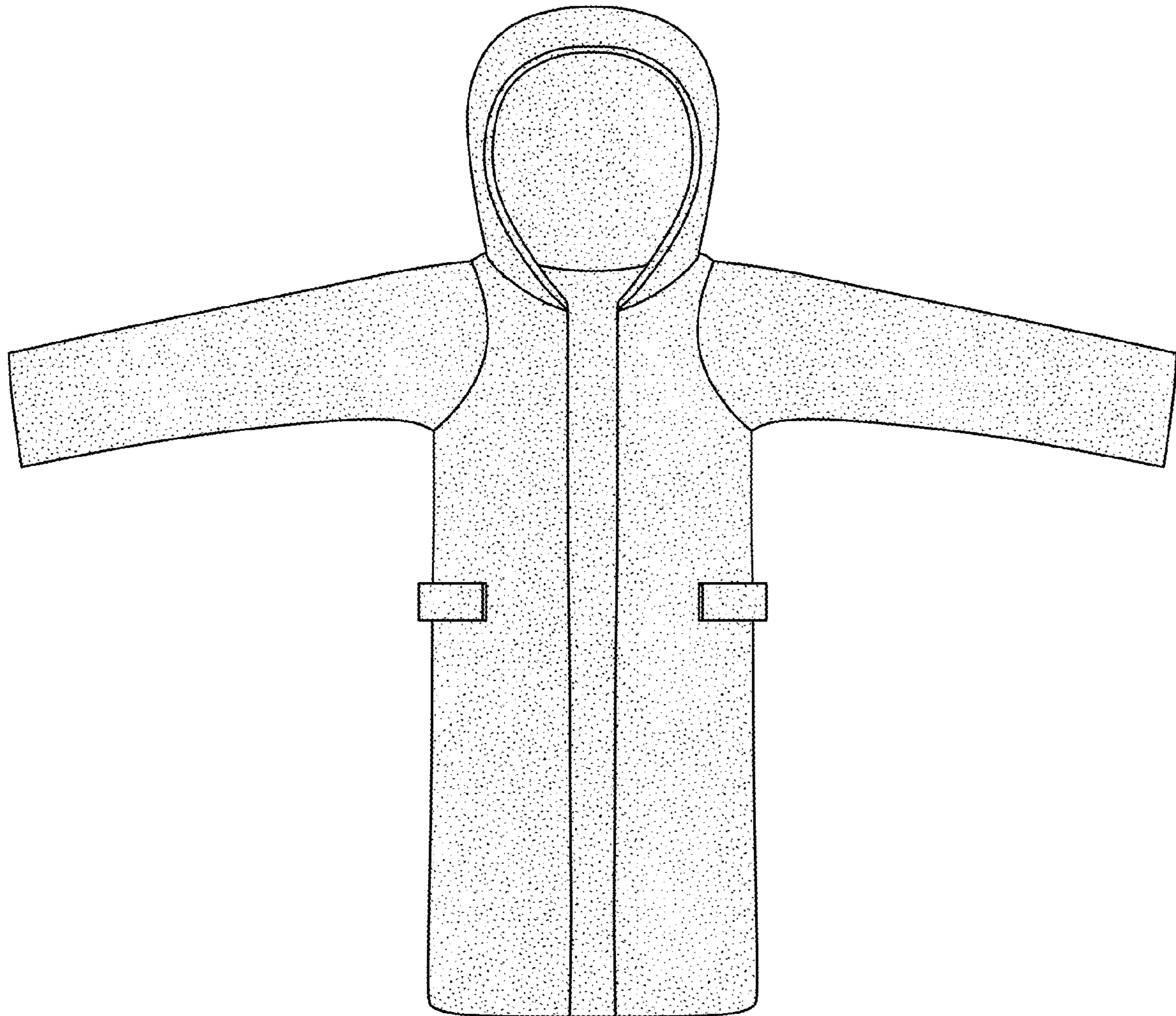


FIG. 1

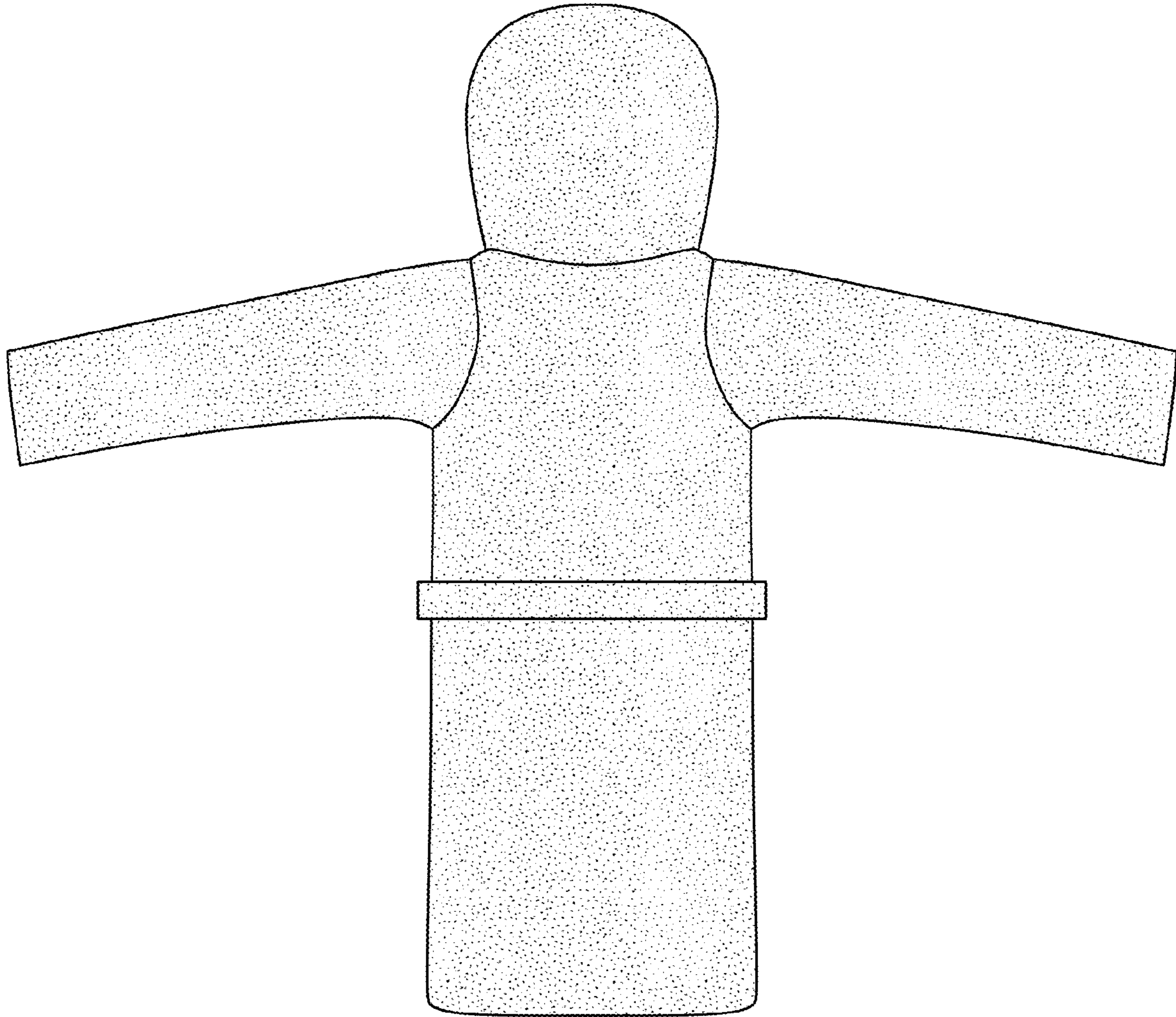


FIG. 2

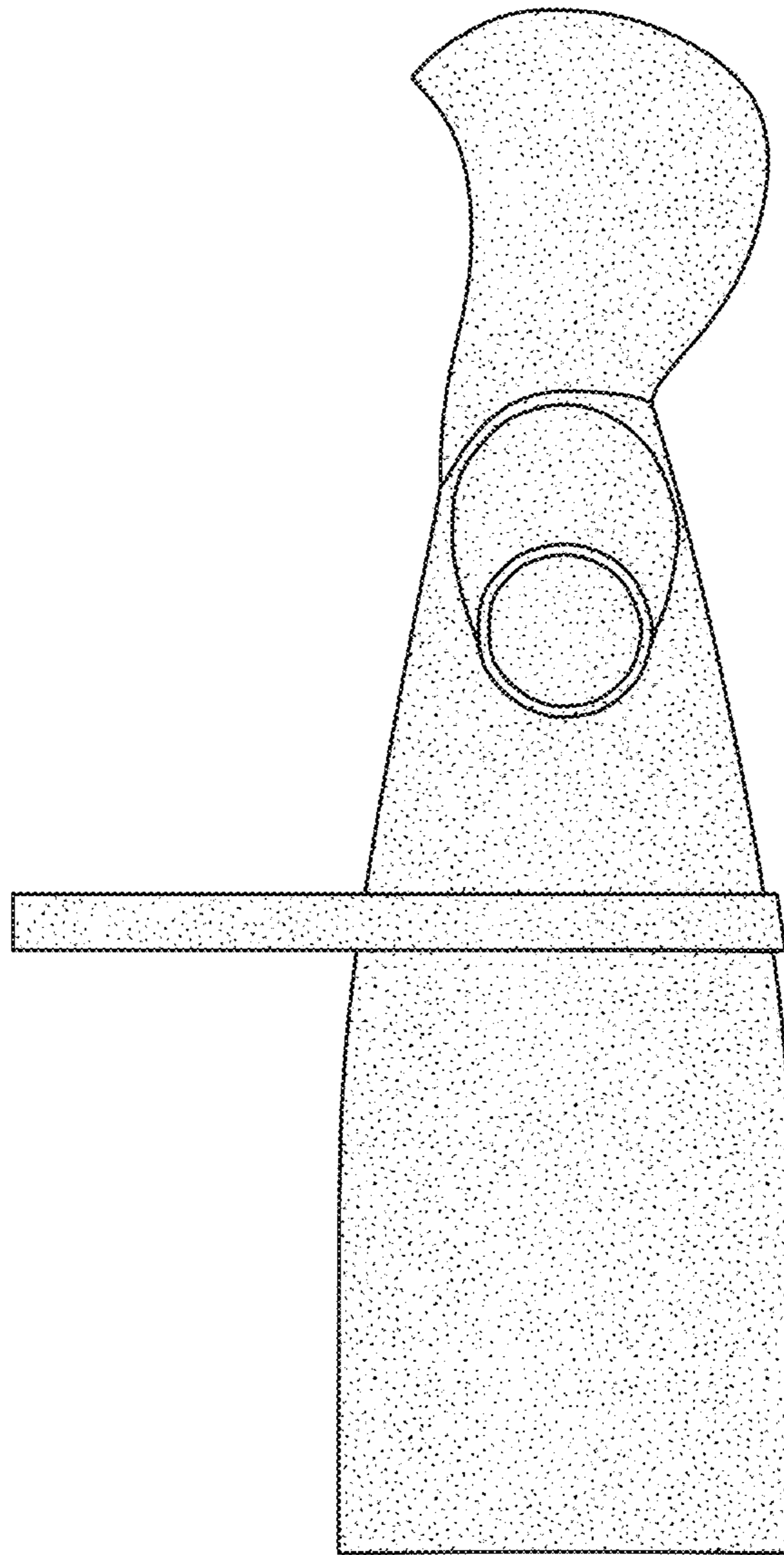


FIG. 3

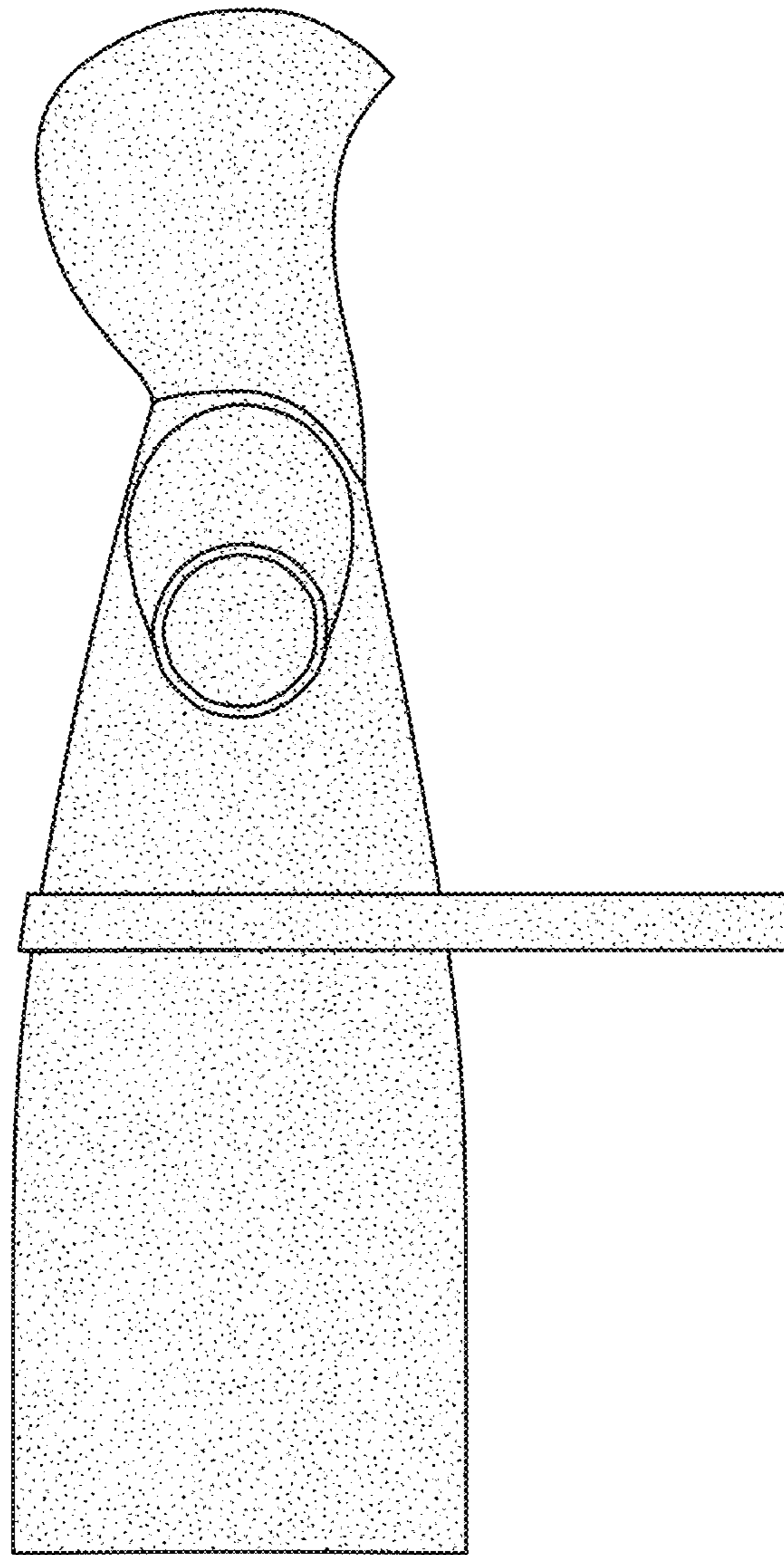


FIG. 4

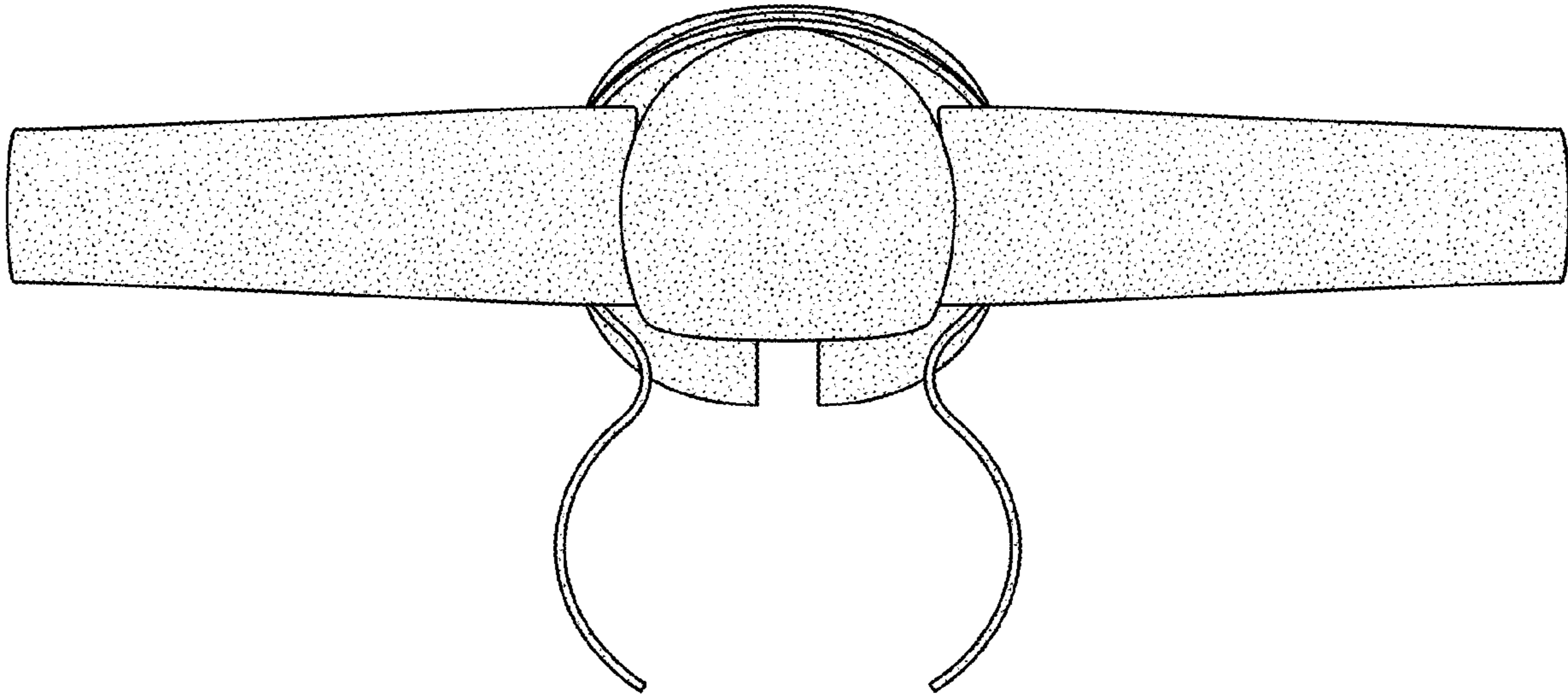


FIG. 5

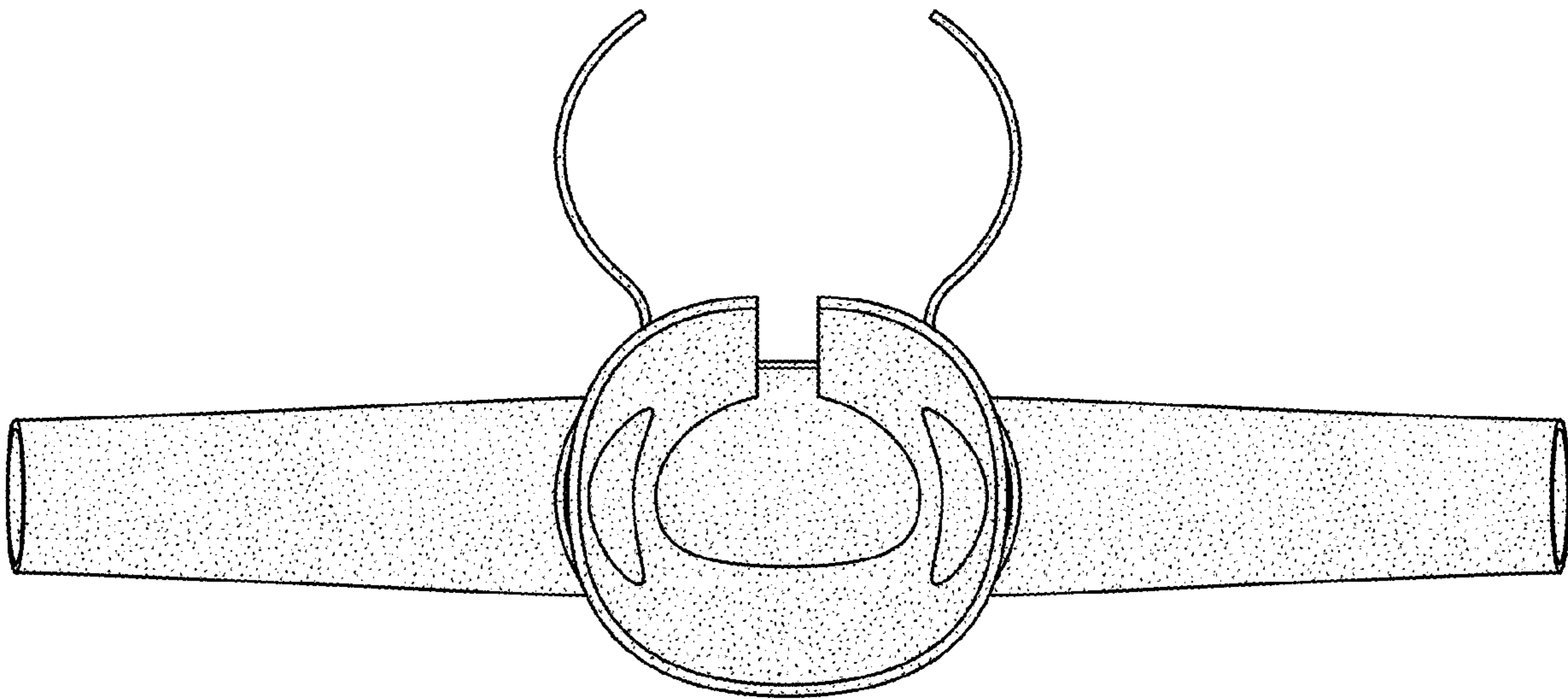


FIG. 6

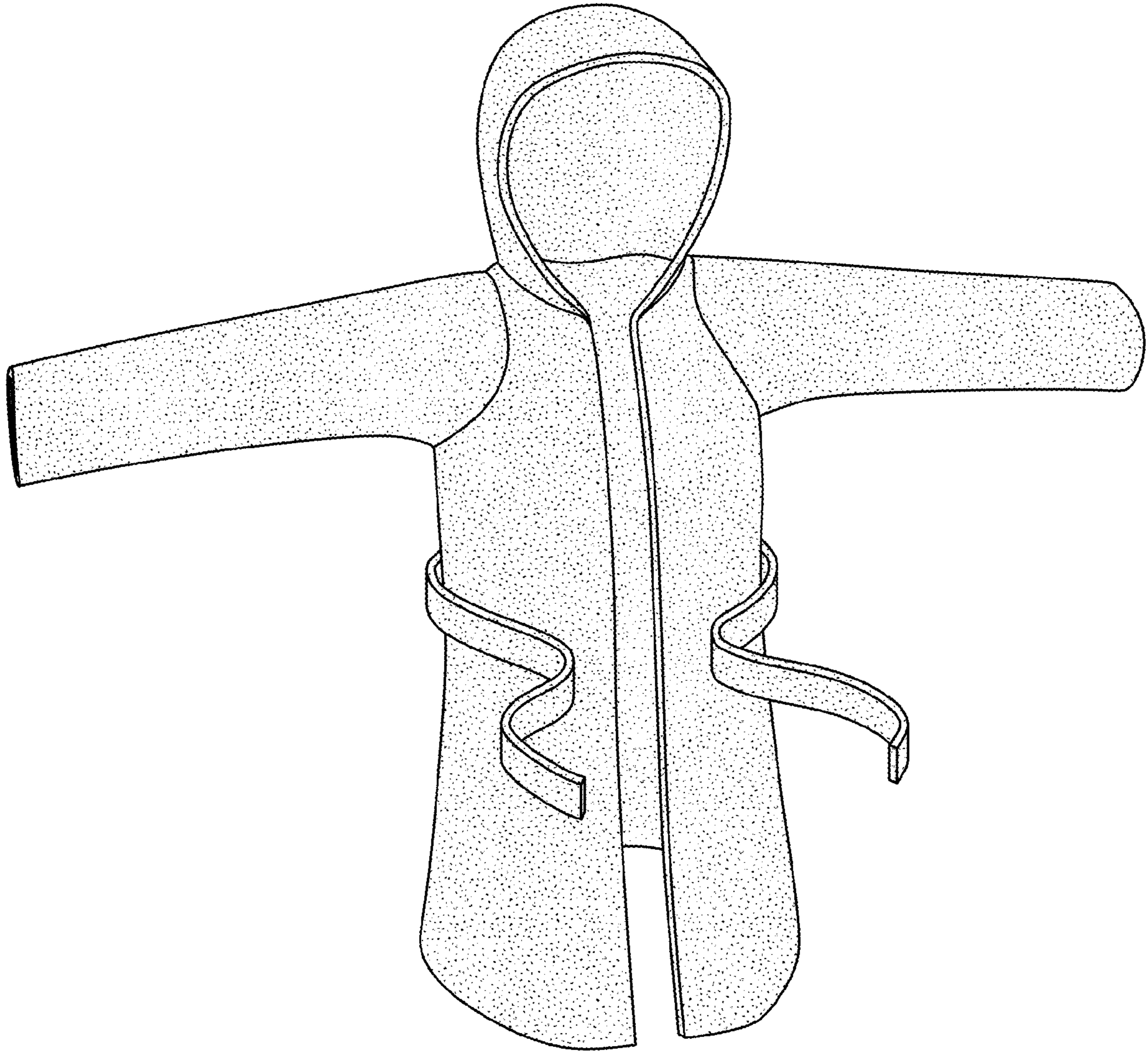


FIG. 7