



US00D952292S

(12) **United States Design Patent** (10) **Patent No.:** **US D952,292 S**
Blair (45) **Date of Patent:** **** May 24, 2022**

(54) **GARMENT**

(71) Applicant: **Marvin Blair**, Hackensack, NJ (US)

(72) Inventor: **Marvin Blair**, Hackensack, NJ (US)

(**) Term: **15 Years**

(21) Appl. No.: **29/736,206**

(22) Filed: **May 28, 2020**

(51) **LOC (13) Cl.** **02-02**

(52) **U.S. Cl.**

USPC **D2/828**

(58) **Field of Classification Search**

USPC D2/728, 750, 751, 753, 755, 784, 828,
D2/829, 830, 831, 838, 839, 840, 841,
D2/844, 836, 837, 857

CPC ... A41D 1/02; A41D 1/04; A41D 3/00; A41D
3/02; A41D 3/04; A41D 15/00; A41D
27/20; A41D 27/201

See application file for complete search history.

(56) **References Cited**

U.S. PATENT DOCUMENTS

- D110,663 S * 7/1938 Riordan D2/839
- D220,822 S * 5/1971 De Wan D2/828
- D271,154 S * 11/1983 Dowling D2/847
- 4,608,715 A * 9/1986 Miller A41D 27/285
2/1
- D339,221 S * 9/1993 Olajide D2/839
- 5,564,126 A 10/1996 Chou
- 6,216,270 B1 4/2001 Moquin
- 6,260,200 B1 * 7/2001 Alfred A41D 13/1236
2/69
- 6,339,845 B1 * 1/2002 Burns A41D 31/102
2/243.1
- D457,290 S * 5/2002 Thompson D2/743
- 6,854,130 B2 * 2/2005 van der Sleen .. A41D 27/285
2/69
- D588,783 S * 3/2009 Olstorn D2/828

- D620,231 S * 7/2010 Parker D2/828
- D635,334 S 4/2011 Eckman
- D696,840 S * 1/2014 Brown D2/839
- D703,416 S * 4/2014 Roberts D2/839
- D757,397 S * 5/2016 Huang D2/828
- 9,609,898 B2 * 4/2017 Kanayama A41D 31/145
- D812,857 S * 3/2018 Rapp D2/828
- D859,787 S * 9/2019 Wang D2/750
- 10,463,086 B2 * 11/2019 Brown A41D 11/00
- D892,436 S * 8/2020 Francis D2/750
- D901,839 S * 11/2020 Cain D2/840

(Continued)

FOREIGN PATENT DOCUMENTS

WO WO2015118528 8/2015

OTHER PUBLICATIONS

Hemowear. "Men's Dual Arm Micro Fleece" Oldest Review: Nov. 11, 2015 [visited: Nov. 23, 2021] URL: <https://www.hemowear.com/product/dual-arm-micro-fleece/> (Year: 2015).*

(Continued)

Primary Examiner — Marissa J Cash
Assistant Examiner — Jessie Anne E Touart

(57) **CLAIM**

The ornamental design for a garment, as shown and described.

DESCRIPTION

FIG. 1 is a front view of a garment showing my new design; FIG. 2 is a rear view of the garment; FIG. 3 is a right side view of the garment; FIG. 4 is a left side view of the garment; FIG. 5 is a top view of the garment; FIG. 6 is a bottom view of the garment; and, FIG. 7 is a top front side perspective view of the garment.

1 Claim, 5 Drawing Sheets



(56)

References Cited

U.S. PATENT DOCUMENTS

D902,529 S * 11/2020 Mariscal D2/720
11,019,861 B2 * 6/2021 Picot A41D 13/129
2006/0053525 A1 3/2006 Legard
2006/0277652 A1 * 12/2006 Okajima A41D 13/00
2/93
2007/0199127 A1 8/2007 Coronado
2010/0138976 A1 6/2010 Appelbaum
2012/0204314 A1 8/2012 Pounds
2014/0352025 A1 12/2014 Adler
2016/0095366 A1 4/2016 Pruitt
2016/0286872 A1 10/2016 Wilson
2019/0059472 A1 * 2/2019 Hopkins A41D 1/04
2019/0134351 A1 * 5/2019 Poutre A41D 13/1245
2021/0052025 A1 * 2/2021 Colon-Alfonso A41D 27/28

OTHER PUBLICATIONS

Inspired Comforts Store. “Inspired Comforts Dialysis Port Access Pullover Hoodie with Two Way Arm Zips” First Avail: Apr. 21, 2019 [visited: Nov. 23, 2021] URL: <https://www.amazon.com/Inspired-Comforts-Dialysis-Access-Pullover/dp/B07QWHHGK2> (Year: 2019).*

RonWear—Port-able Clothing. “Diagonal chest port opening keeps zippers open while connected to port” Posted: Jan. 21, 2010 [visited: Nov. 23, 2021] Facebook URL: <https://www.facebook.com/RonWearPortableClothing/photos/a.250485202928/278034187928/?type=3&theater> (Year: 2010).*

* cited by examiner

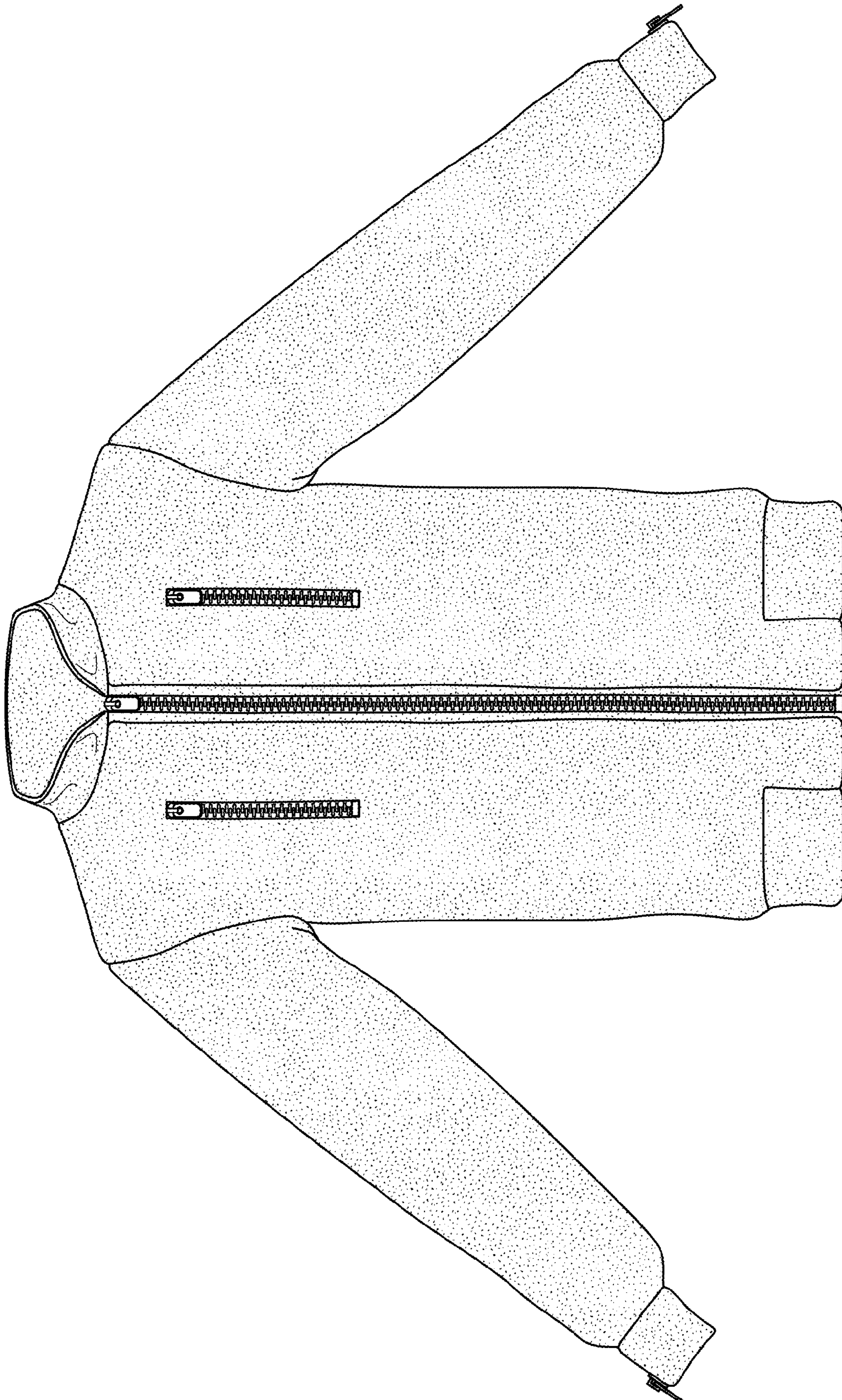


FIG. 1

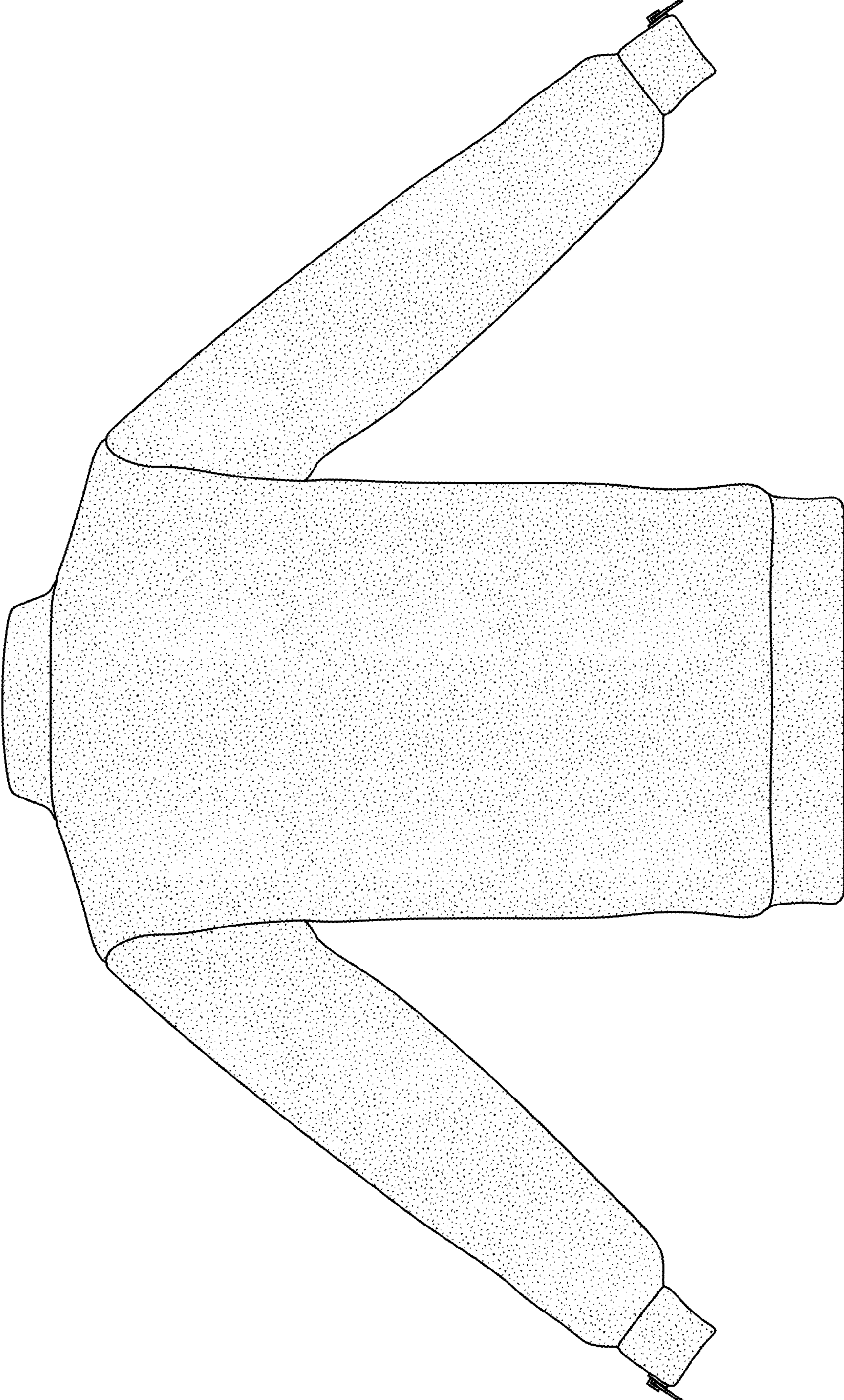


FIG. 2

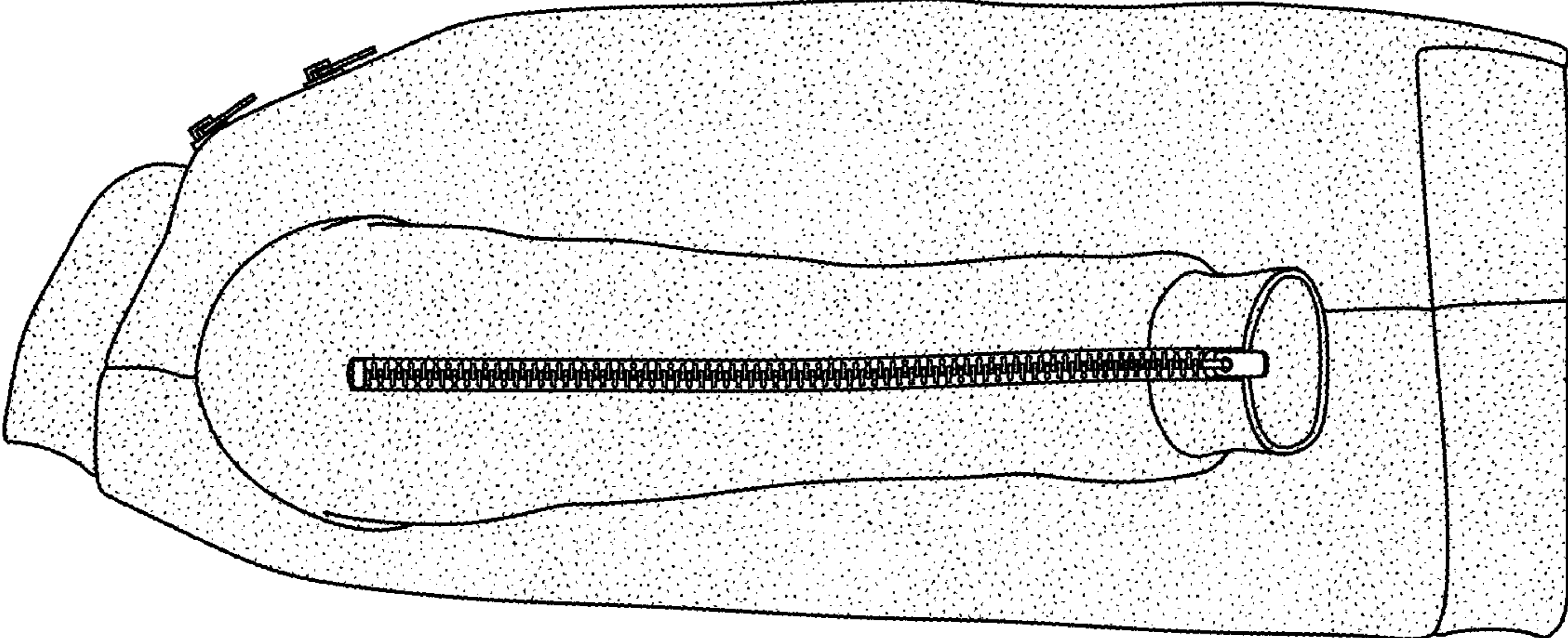


FIG. 4

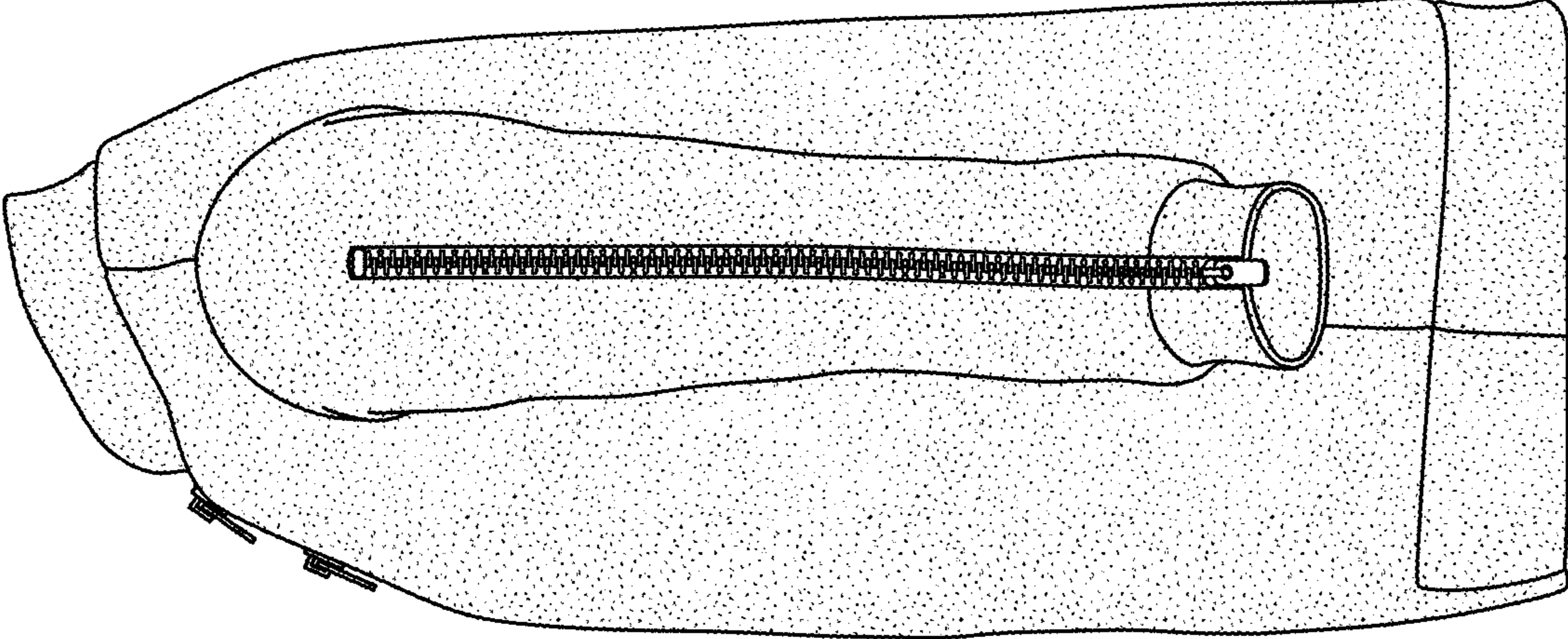


FIG. 3

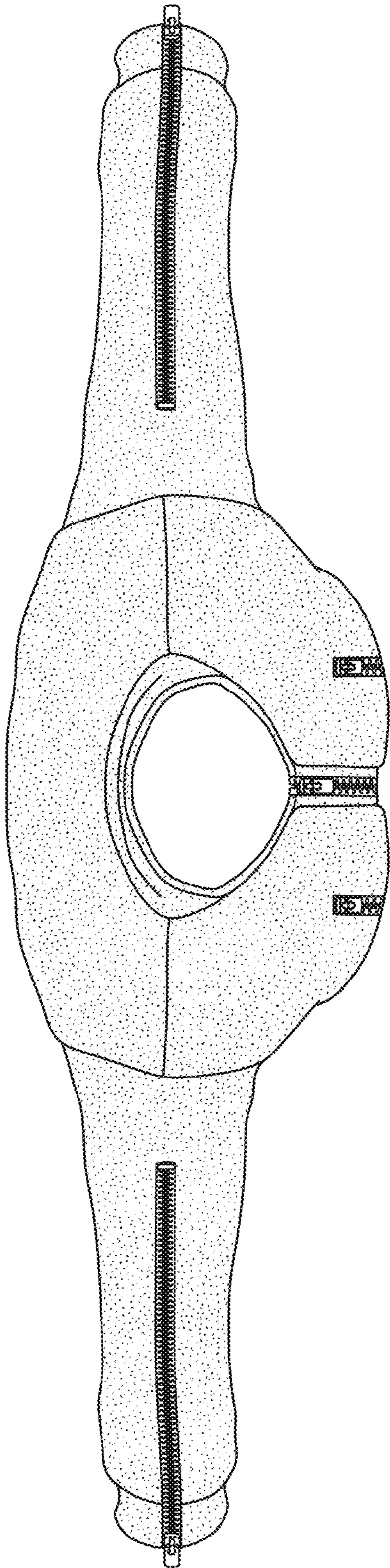


FIG. 5

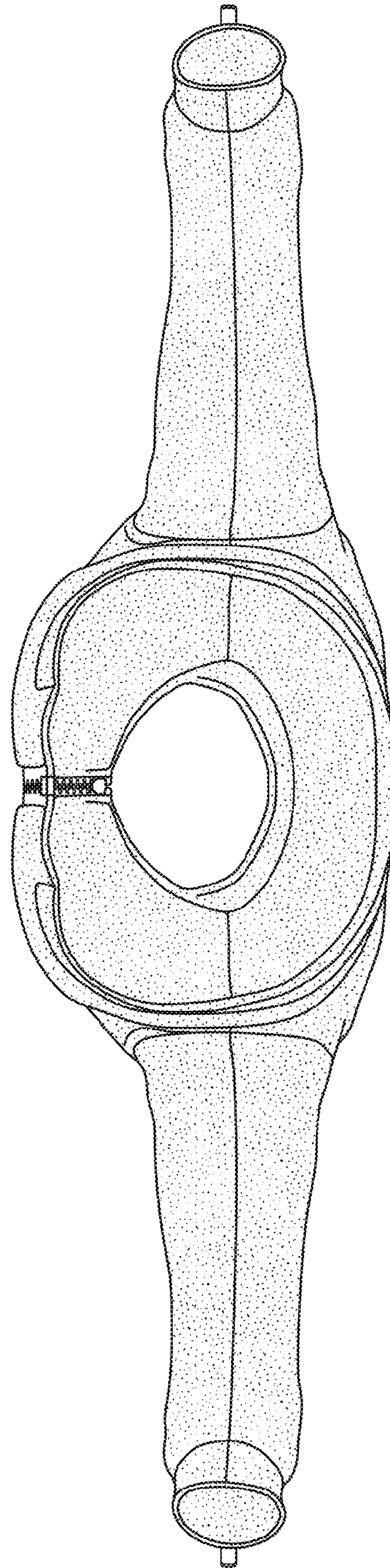


FIG. 6

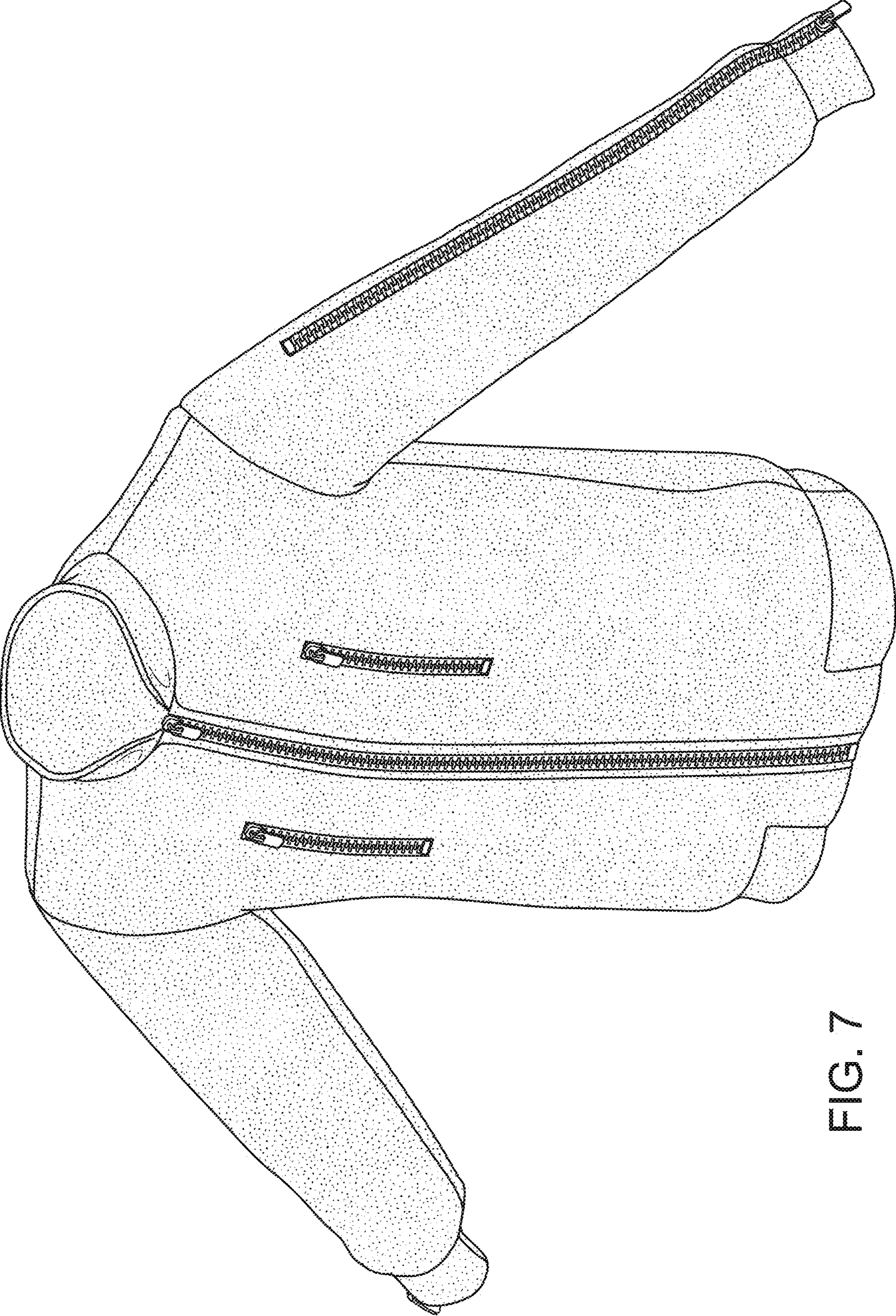


FIG. 7