



US00D952283S

(12) **United States Design Patent** (10) **Patent No.:** **US D952,283 S**
Lazarov (45) **Date of Patent:** **** May 17, 2022**

(54) **HAND TRUCK CYNCH STRAP ANCHOR**
(71) Applicant: **Ross Lazarov**, Prior Lake, MN (US)
(72) Inventor: **Ross Lazarov**, Prior Lake, MN (US)
(**) Term: **15 Years**
(21) Appl. No.: **29/738,826**
(22) Filed: **Jun. 19, 2020**
(51) **LOC (13) Cl.** **12-02**
(52) **U.S. Cl.**
USPC **D34/27; D8/354**
(58) **Field of Classification Search**
USPC D34/16, 34, 27, 35; D8/349, 354, 382
CPC B62B 1/18; B62B 1/206; B62B 1/202;
B62B 2205/10; B62B 3/144; B62B 3/146;
B62B 7/04; B62B 7/006; B62B 7/008;
B62B 7/145; B62B 5/069; B62B 3/0612;
B62B 3/0618; B62B 5/0069; B62B
5/0438; B60P 7/0823; B60P 7/10; B60P
7/12; B60P 7/083; B60P 7/0846; B60R
19/02; B60R 19/04; B60R 19/18; B60R
19/24; B60R 19/56; B60R 2019/007;
B62D 25/08; B60D 1/00; B60D 1/01;
B60D 1/06; B60D 1/065; B66F 5/00;
B66F 5/04; B66F 7/0641; B66F 7/0625;
B66F 7/08
See application file for complete search history.

9,174,564 B2 11/2015 Neumann et al.
9,428,096 B1 8/2016 Bach
9,815,673 B2 11/2017 Bomtrager et al.
9,914,387 B2 3/2018 Sciarretta
D859,958 S * 9/2019 Ni D8/354
10,543,773 B2 1/2020 Sicaretta
10,589,658 B2 3/2020 Brooks et al.
D900,593 S * 11/2020 McKillips D8/354
D910,264 S * 2/2021 Tracy D34/35
D924,665 S * 7/2021 DeDios-Shirley D8/349
D938,262 S * 12/2021 Fehr D8/354
D943,392 S * 2/2022 Kanter D8/354
D944,625 S * 3/2022 Wu D8/349
D944,633 S * 3/2022 Axelsson D8/382
2014/0284530 A1 9/2014 Kuniegel
2015/0014949 A1 1/2015 Dittman
2016/0250961 A1* 9/2016 Tolly B65D 90/0053
410/100
2019/0216197 A1 7/2019 Katz et al.

* cited by examiner

Primary Examiner — Cynthia Ramirez
(74) *Attorney, Agent, or Firm* — Dietz Law Office LLC

(57) **CLAIM**

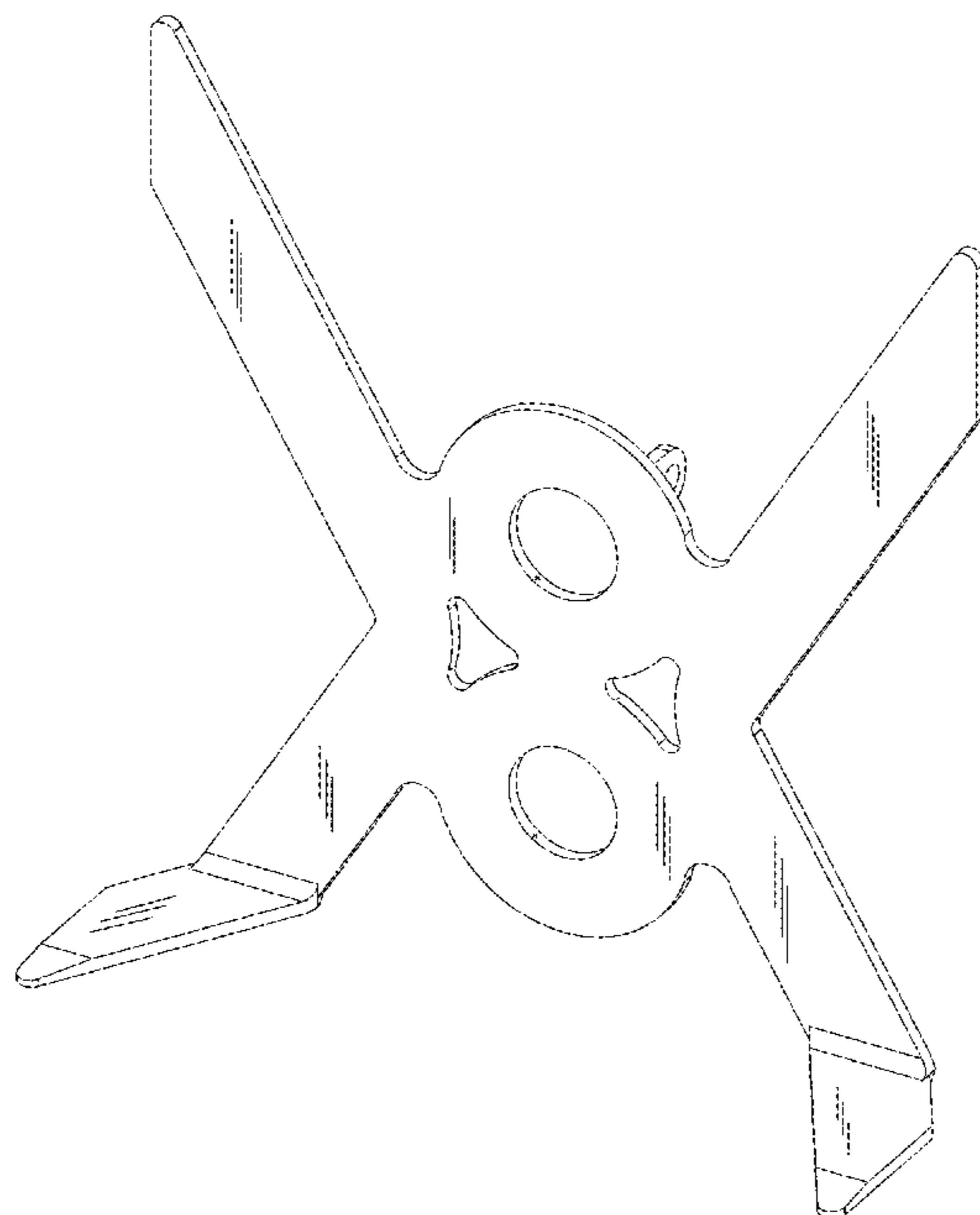
The ornamental design for a hand truck cynch strap anchor, as shown and described.

DESCRIPTION

FIG. 1 is a front top perspective view of the hand truck cynch strap anchor of the present invention;
FIG. 2 is a front view thereof;
FIG. 3 is a back view thereof;
FIG. 4 is a left side view thereof;
FIG. 5 is a right side view thereof;
FIG. 6 is a top view thereof;
FIG. 7 is a bottom view thereof; and,
FIG. 8 is a back bottom perspective view thereof.

1 Claim, 8 Drawing Sheets

(56) **References Cited**
U.S. PATENT DOCUMENTS
8,540,063 B2 9/2013 LaTowsky
9,027,722 B1 5/2015 Parker
9,119,453 B1 9/2015 LaRocque
9,120,414 B1 9/2015 Matlack et al.
9,162,693 B2 10/2015 Cortese



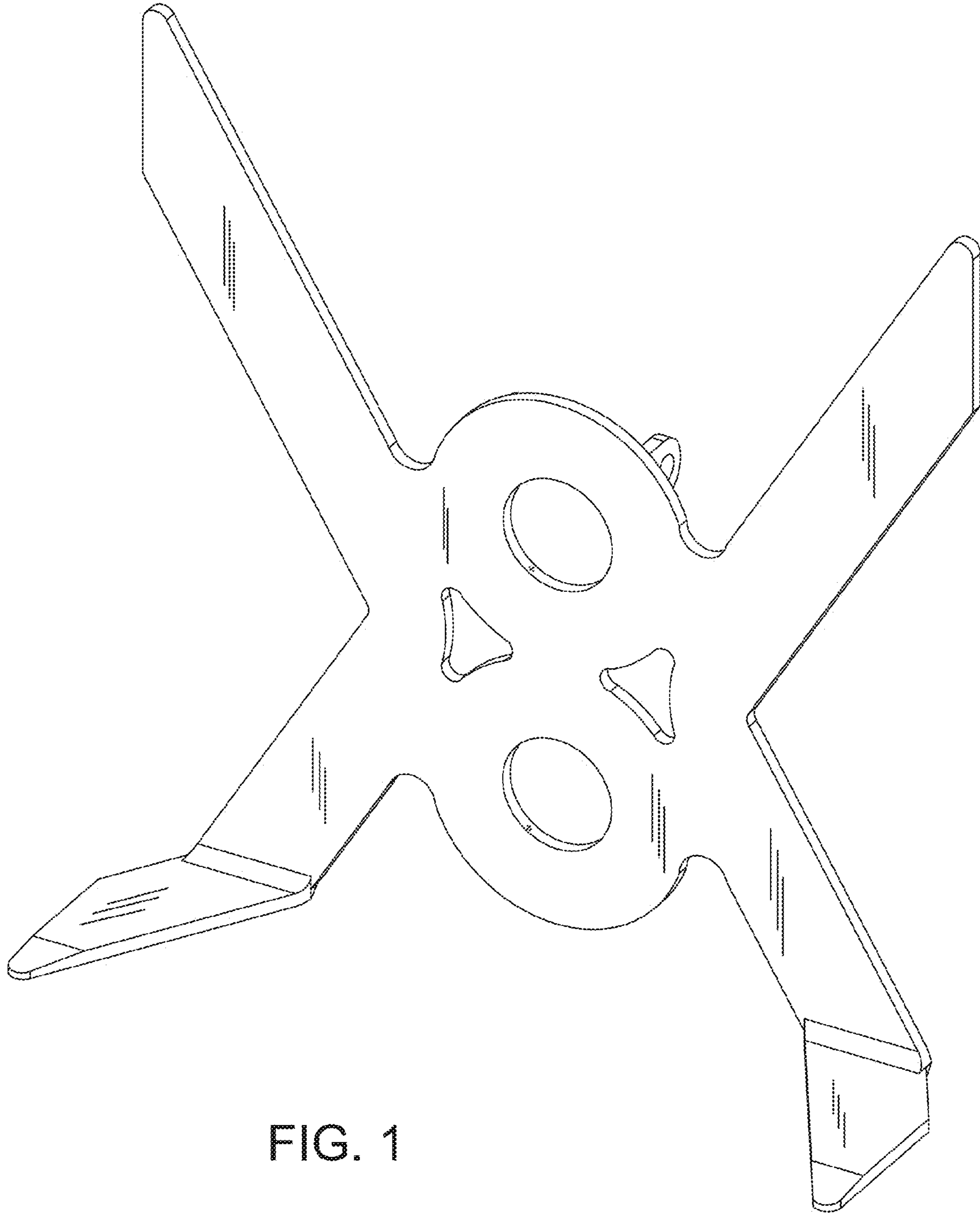


FIG. 1

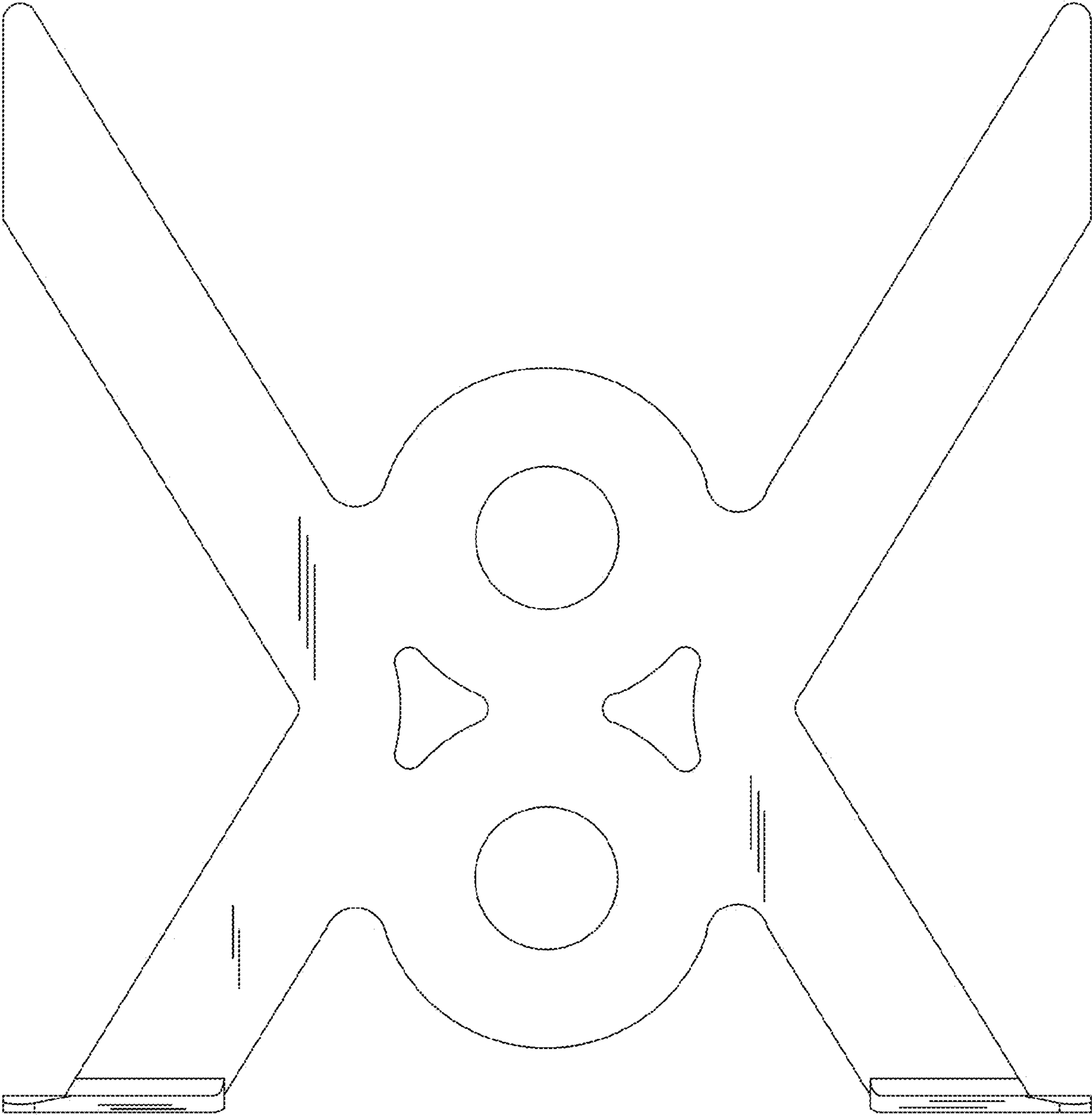


FIG. 2

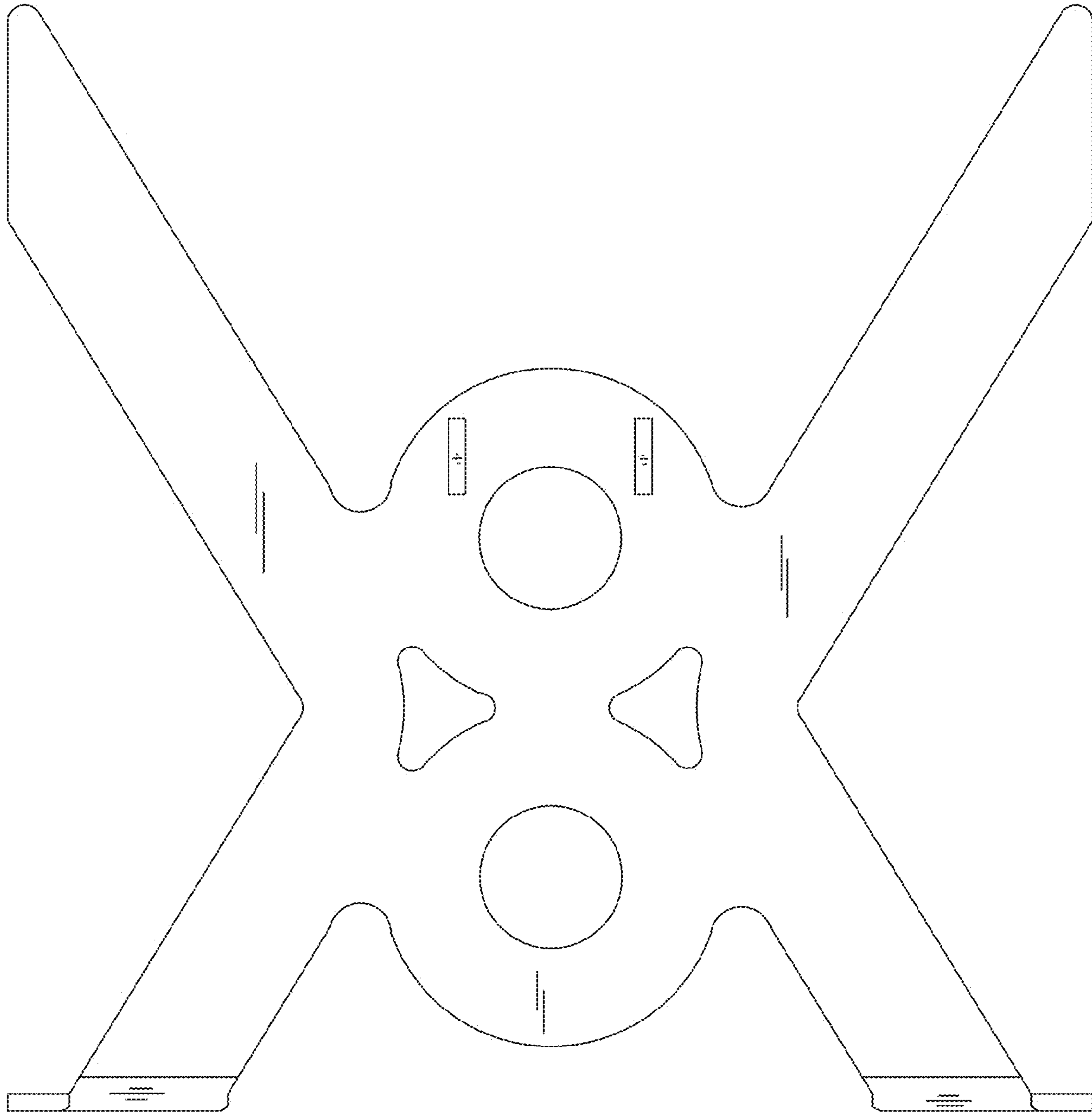


FIG. 3

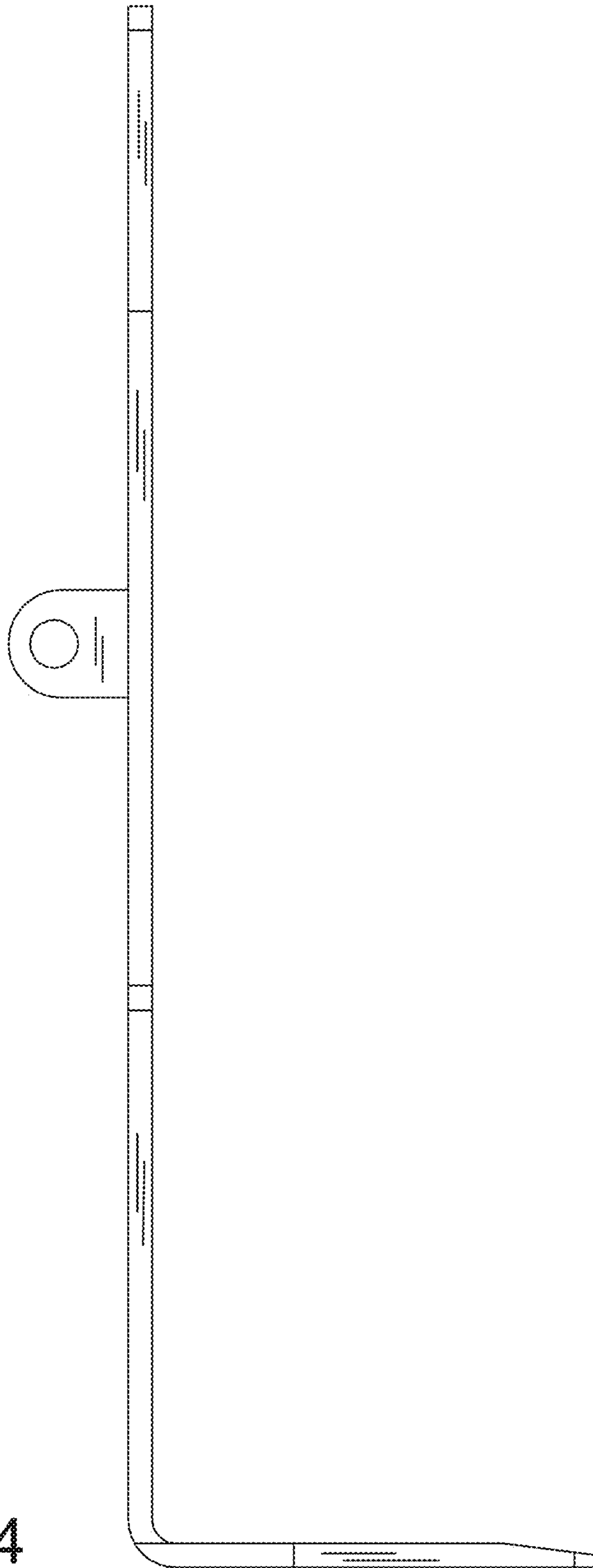


FIG. 4

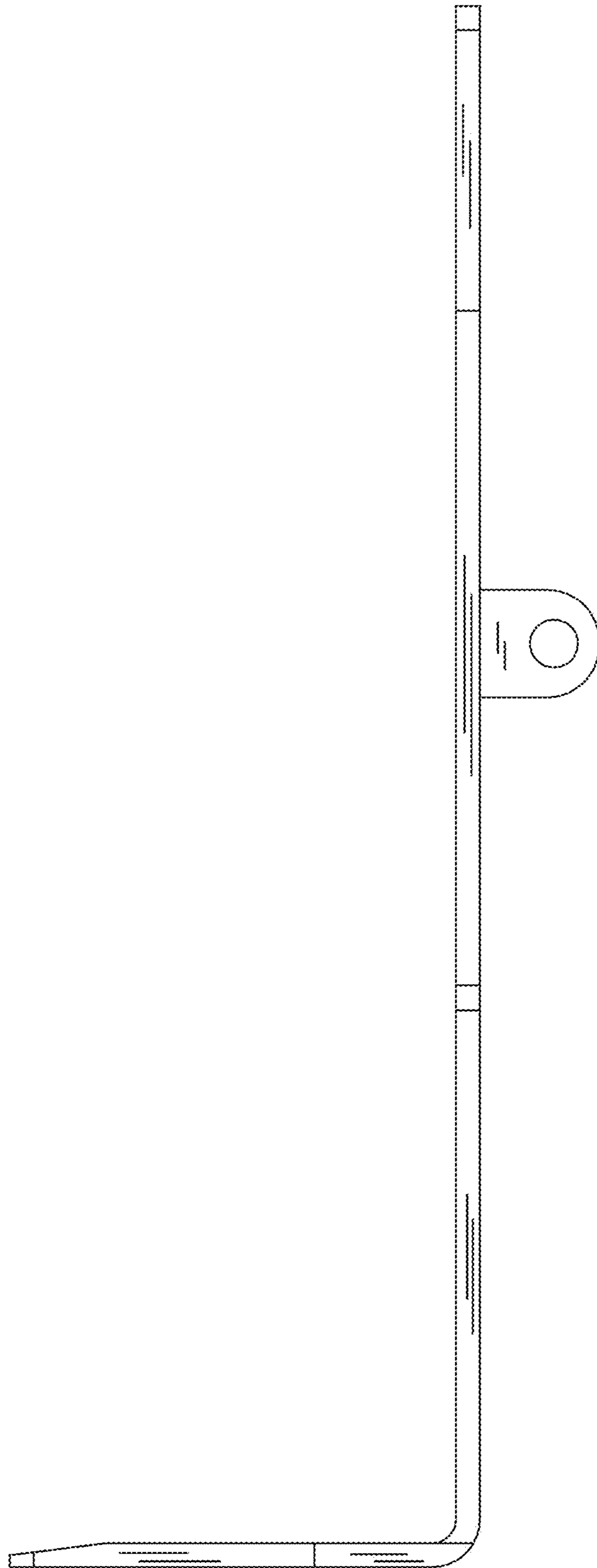


FIG. 5

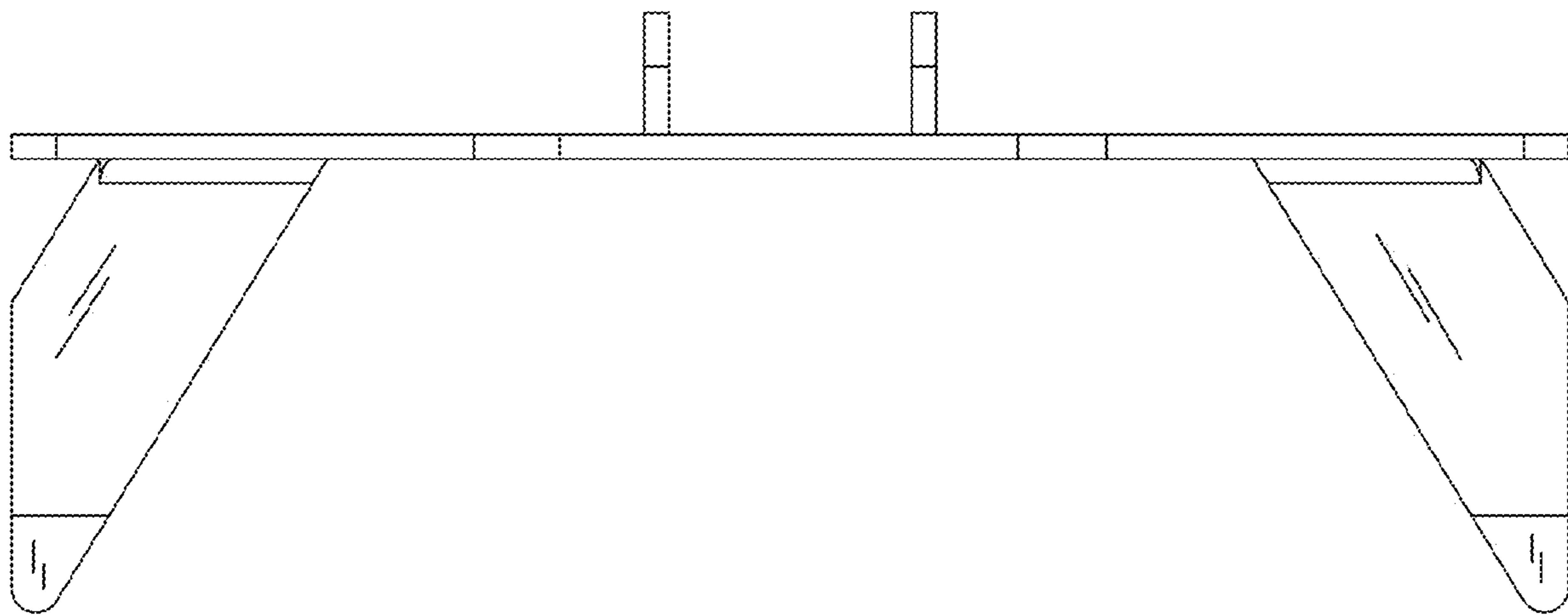


FIG. 6

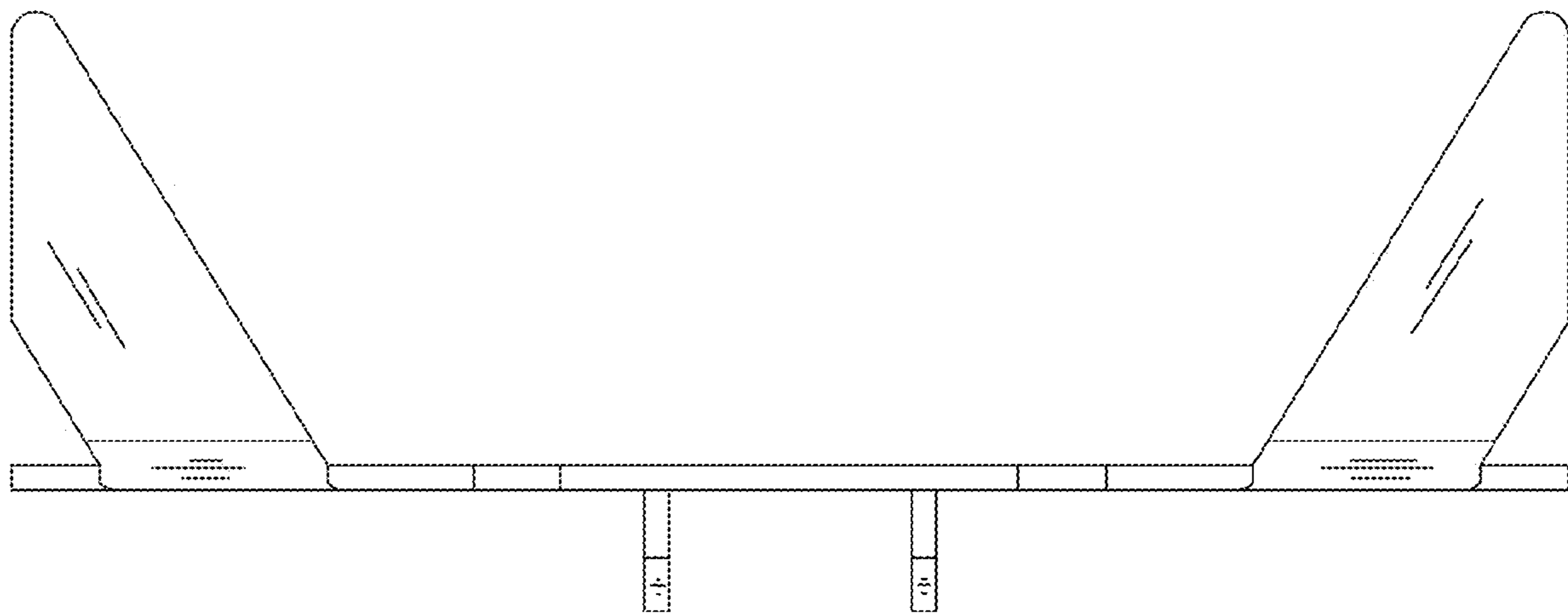


FIG. 7

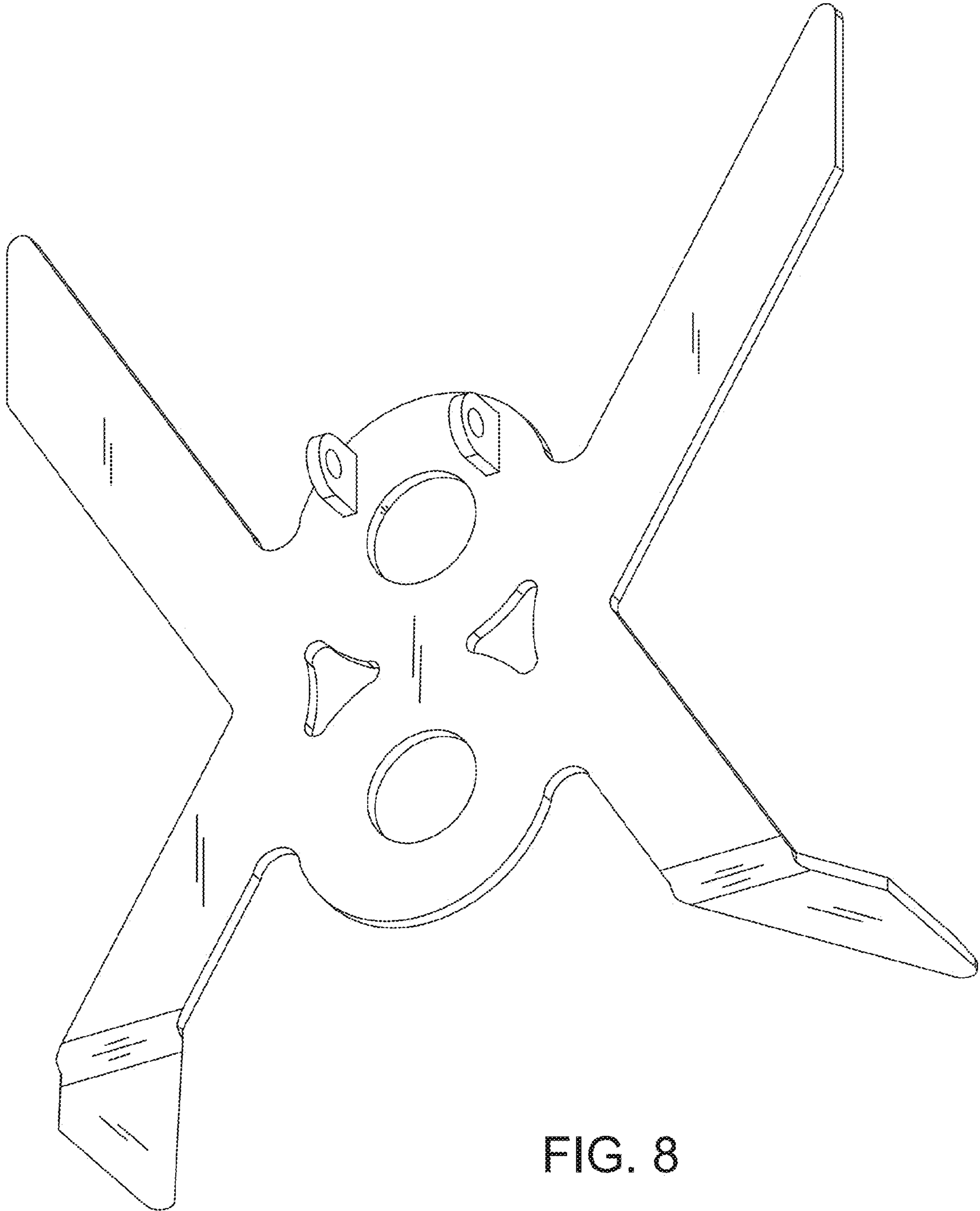


FIG. 8