



US00D952282S

(12) **United States Design Patent**
Kawamoto

(10) **Patent No.:** **US D952,282 S**

(45) **Date of Patent:** **** May 17, 2022**

- (54) **MOBILE STORAGE CART**
- (71) Applicant: **OKAMURA CORPORATION**,
Yokohama (JP)
- (72) Inventor: **Masaya Kawamoto**, Yokohama (JP)
- (73) Assignee: **Okamura Corporation**, Yokohama (JP)
- (**) Term: **15 Years**
- (21) Appl. No.: **29/729,079**
- (22) Filed: **Mar. 24, 2020**

D365,705 S *	1/1996	Deeley	D6/552
D374,144 S *	10/1996	Bromley	D6/540
D385,287 S *	10/1997	Westcott	D15/89
D385,736 S *	11/1997	Bromley	D6/540
D452,944 S *	1/2002	Schmidt	D34/6
D470,641 S *	2/2003	Emerzian	D34/12
D582,188 S *	12/2008	Martin	D6/552

(30) **Foreign Application Priority Data**

Sep. 25, 2019 (JP) 2019-021347

(51) **LOC (13) Cl.** **12-02**

(52) **U.S. Cl.**
USPC **D34/17**

(58) **Field of Classification Search**
USPC D34/12-27; D6/675.1, 513, 511, 514,
D6/524, 525, 536, 540, 566, 570, 562,
D6/574
CPC B62B 3/002; B62B 3/006; B62B 3/10;
B62B 3/02; B62B 5/0083
See application file for complete search history.

(56) **References Cited**

U.S. PATENT DOCUMENTS

D150,315 S *	7/1948	Richards	D6/675.1
D226,647 S *	4/1973	Longato	D6/675.1
D232,992 S *	10/1974	Molzen	D6/570
D310,928 S *	10/1990	Murphy	D6/567
D327,352 S *	6/1992	Robinson	D34/18
D339,480 S *	9/1993	Gold	D6/675.1

OTHER PUBLICATIONS

Okamura website, Products/Accessories—Lives Wagon, Sep. 22, 2021, https://okamura.com.sg/en/products_enquiry/lives-wagon/ (Year: 2021).*

* cited by examiner

Primary Examiner — Nathan M Johnston

(74) *Attorney, Agent, or Firm* — Sughrue Mion, PLLC

(57) **CLAIM**

The ornamental design for a mobile storage cart, as shown and described.

DESCRIPTION

FIG. 1 is a perspective view of a mobile storage cart; FIG. 2 is a front elevation view thereof; FIG. 3 is a rear elevation view thereof; FIG. 4 is a right side elevation view thereof, the left side elevation view being a mirror image thereof; FIG. 5 is a top plan view thereof; and, FIG. 6 is a bottom plan view thereof. The features of the mobile storage cart provided in broken lines form not part of the claim.

1 Claim, 6 Drawing Sheets

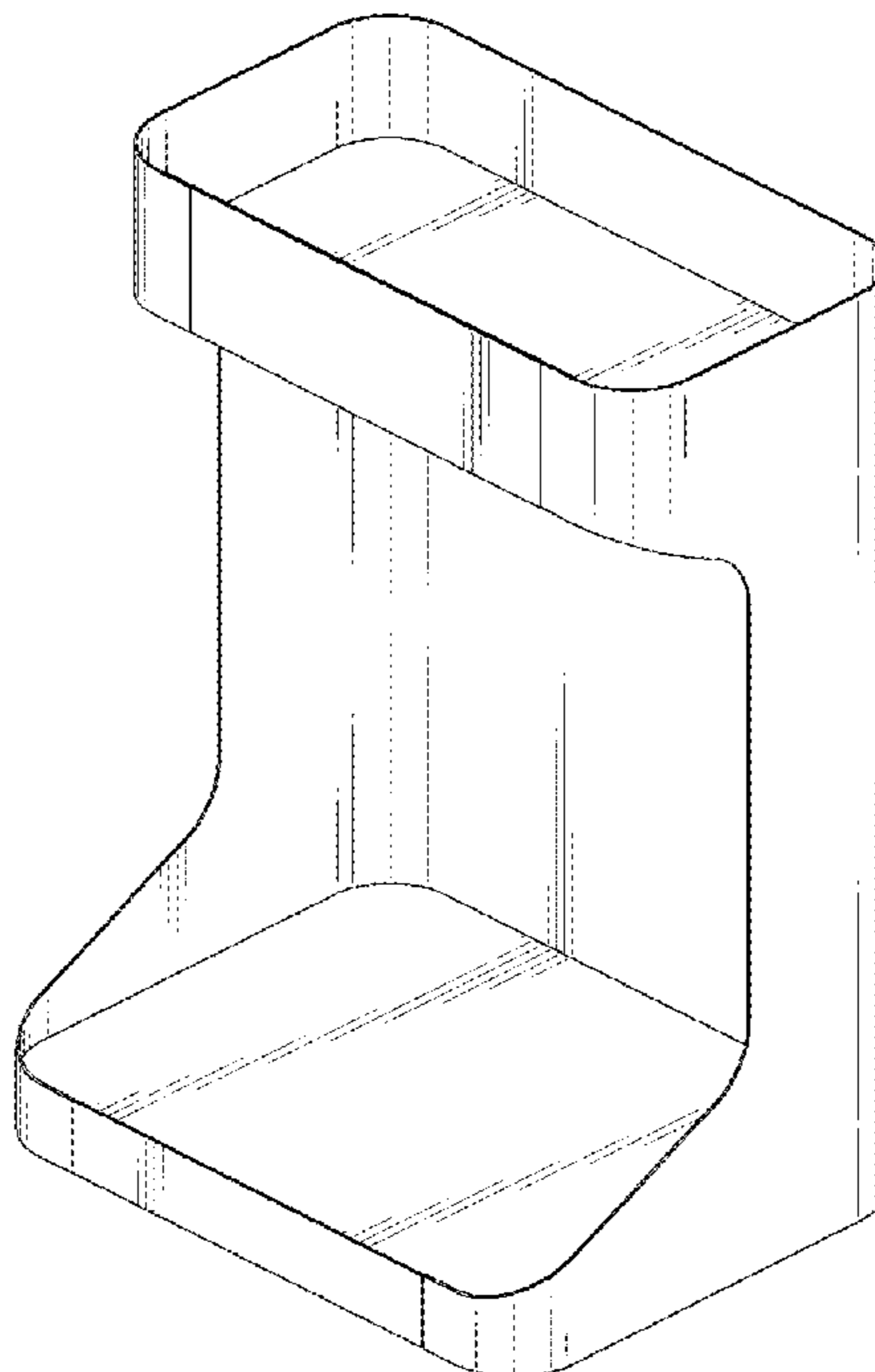


FIG. 1

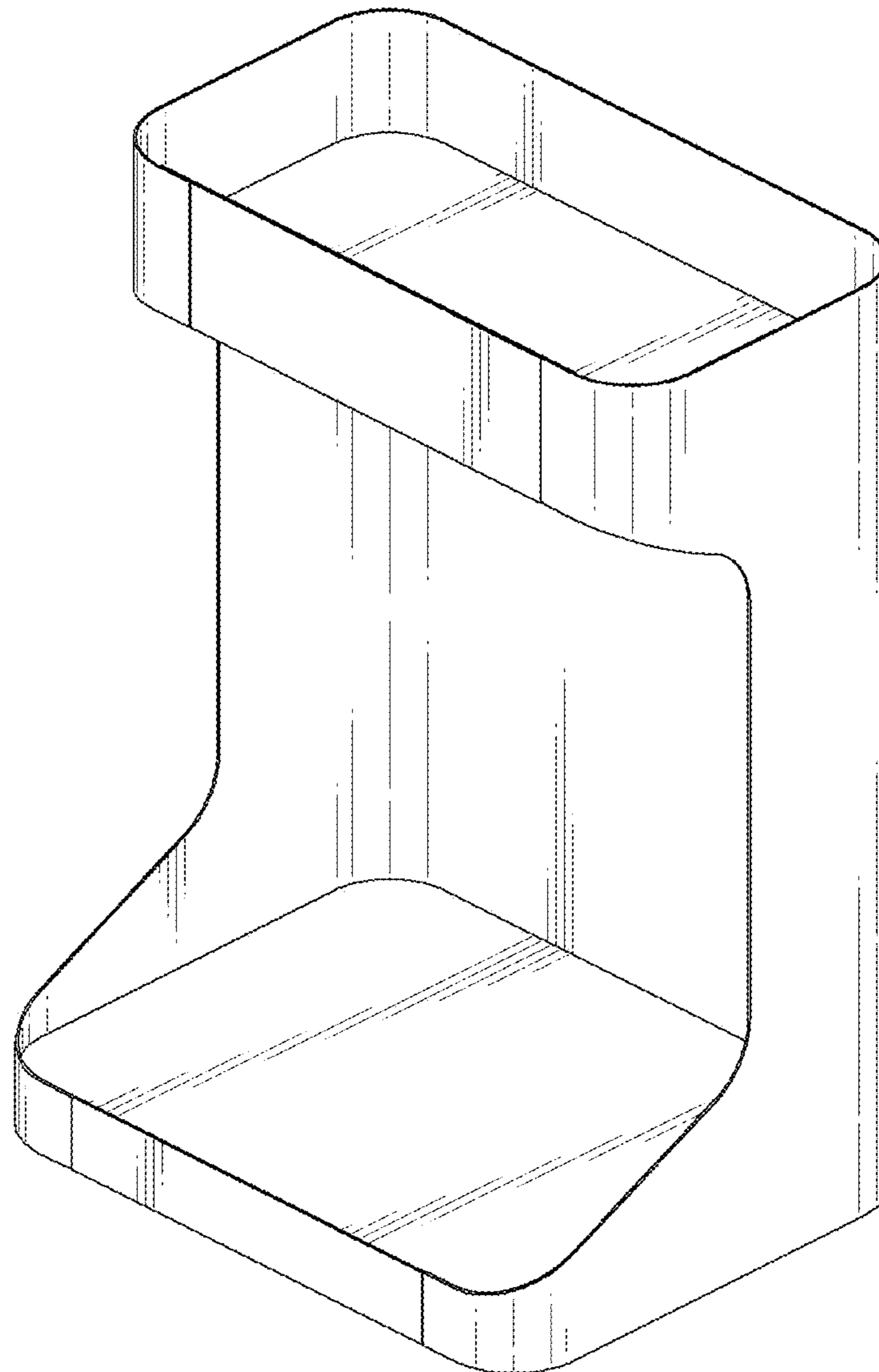


FIG. 2

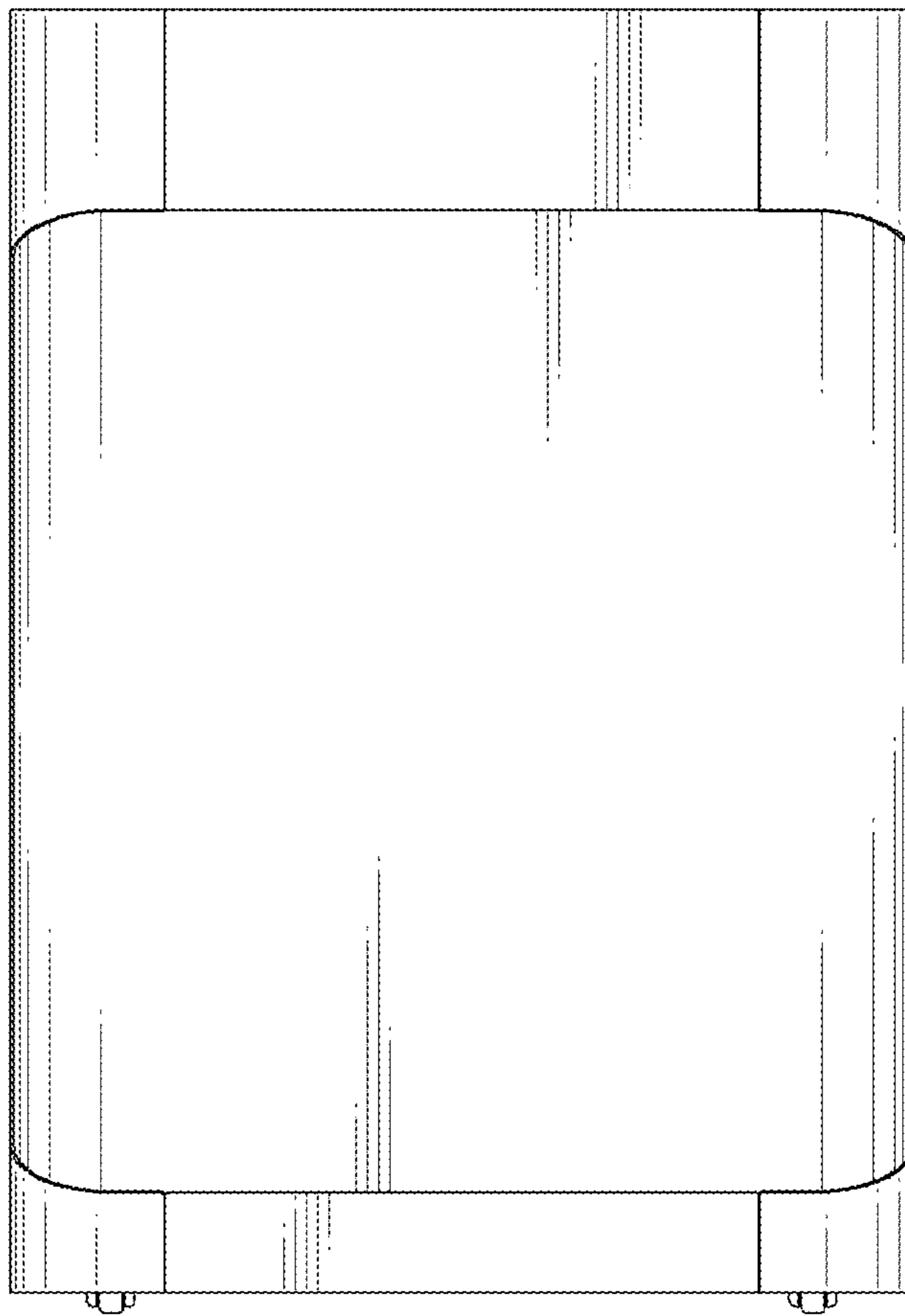


FIG. 3

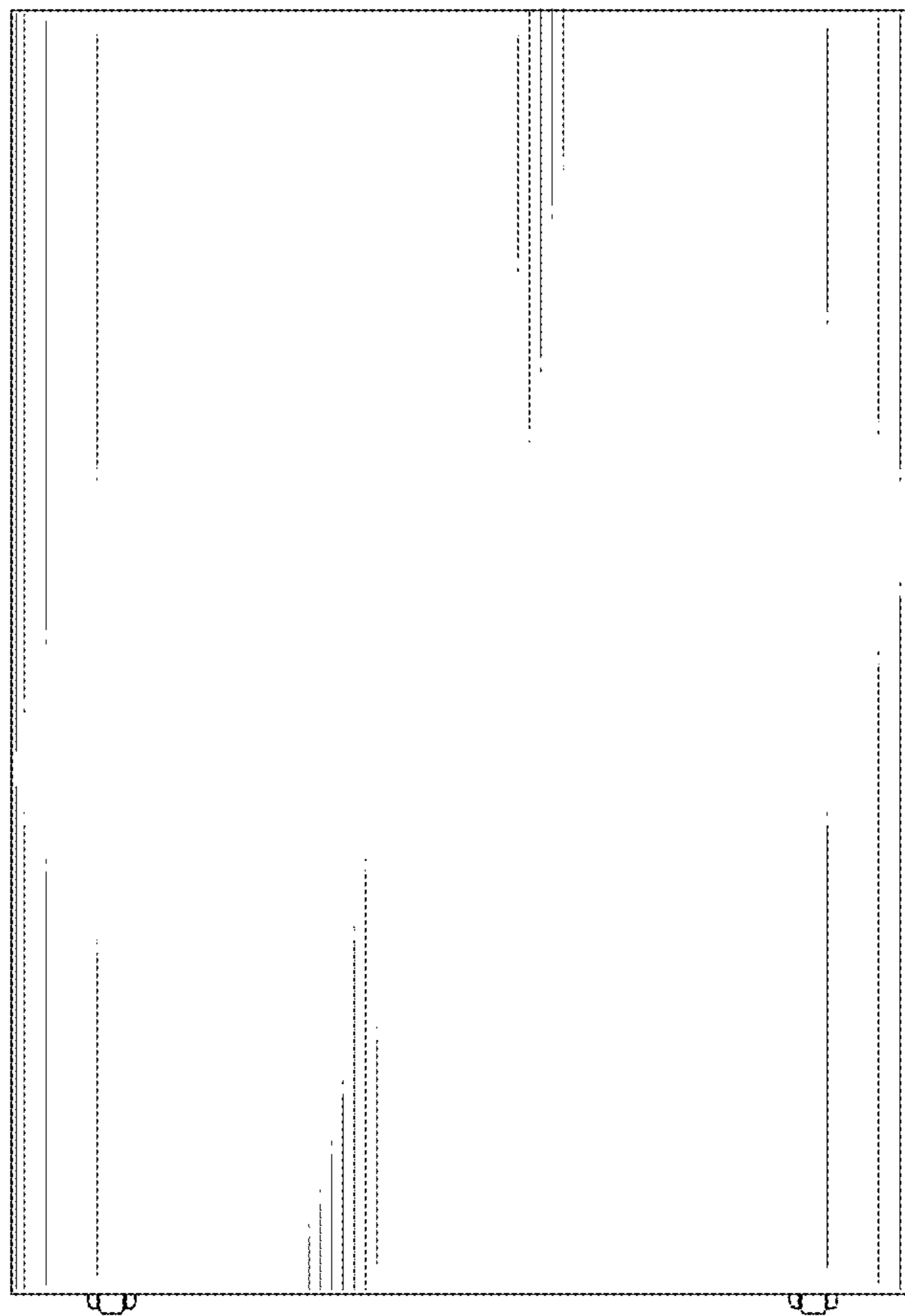


FIG. 4

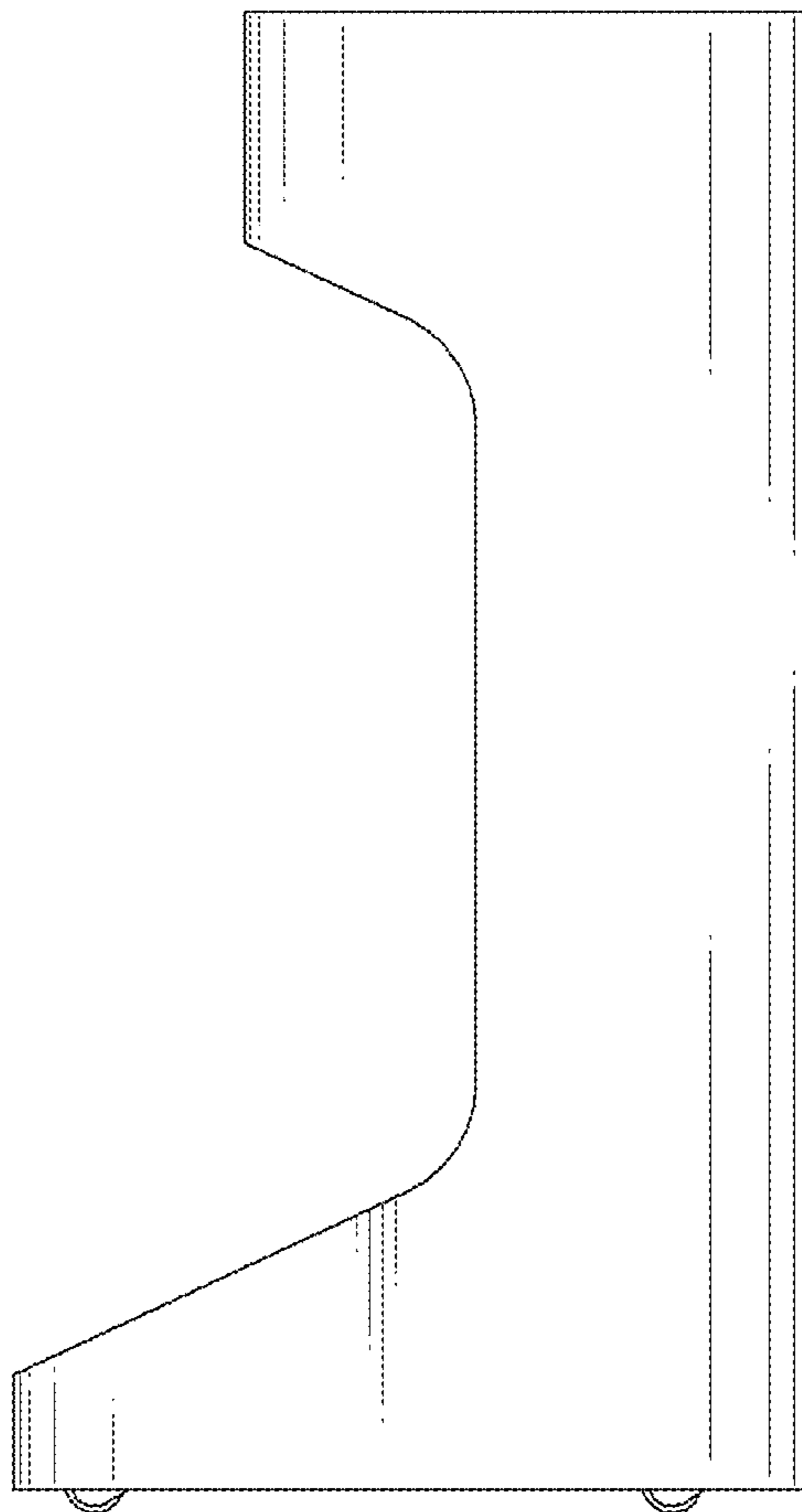


FIG. 5

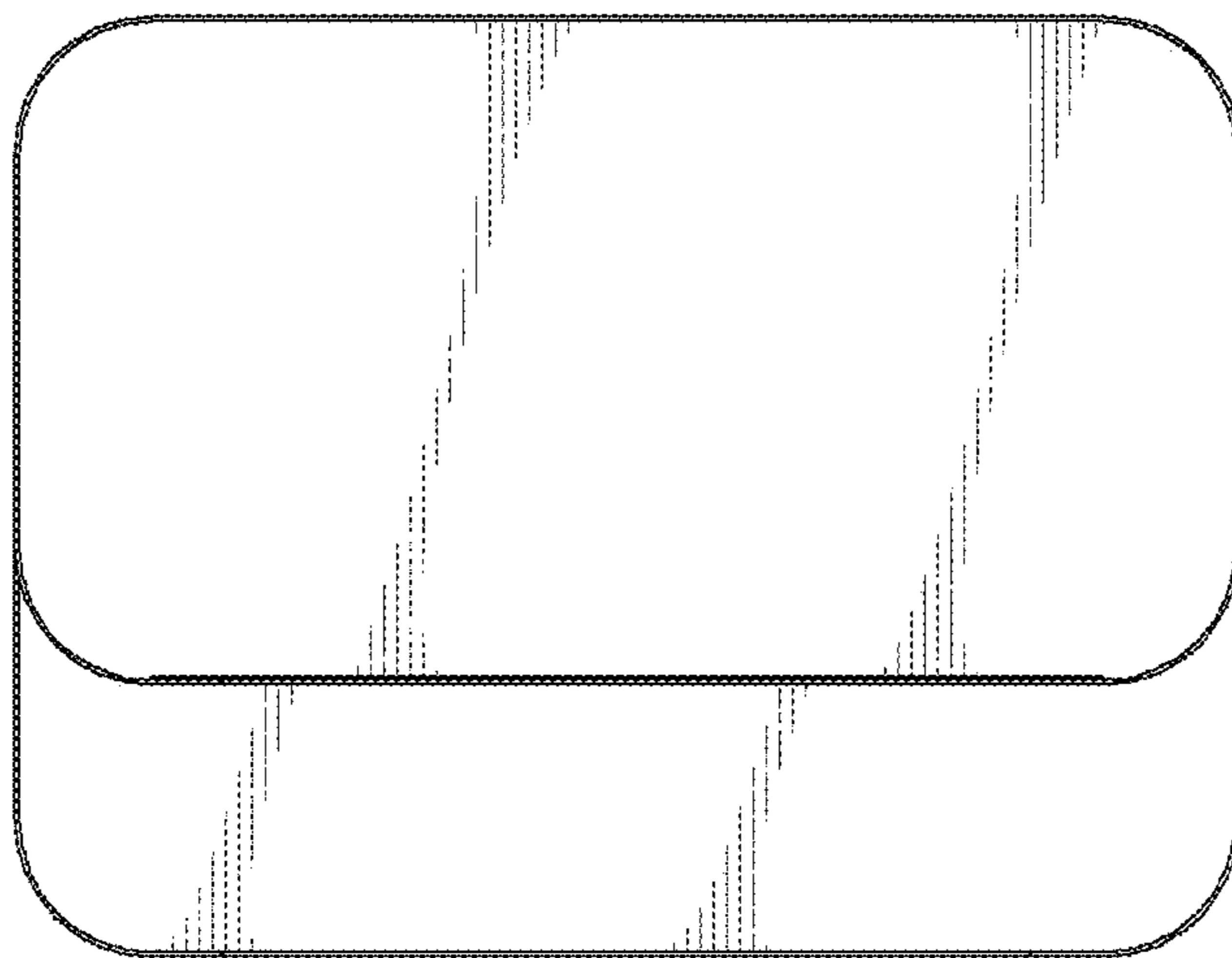


FIG. 6

