



US00D952281S

(12) **United States Design Patent**
Bae et al.

(10) **Patent No.:** **US D952,281 S**
(45) **Date of Patent:** **** May 17, 2022**

(54) **AUXILIARY IRONING BOARD**

(71) Applicant: **LG ELECTRONICS INC.**, Seoul (KR)

(72) Inventors: **Jaecil Bae**, Seoul (KR); **Kyutae Park**, Seoul (KR); **Kyungah Lee**, Seoul (KR); **Hoil Jeon**, Seoul (KR); **Youngsoo Ha**, Seoul (KR)

(73) Assignee: **LG Electronics Inc.**, Seoul (KR)

(**) Term: **15 Years**

(21) Appl. No.: **29/724,706**

(22) Filed: **Feb. 18, 2020**

(30) **Foreign Application Priority Data**

Aug. 19, 2019 (KR) 30-2019-0039550

(51) **LOC (13) Cl.** **07-05**

(52) **U.S. Cl.**
USPC **D32/66**

(58) **Field of Classification Search**

USPC D32/9, 35, 60, 66, 67, 71; D21/526;
D6/668, 691.1, 691.3, 691.4; D14/457,
D14/459, 460, 461

(Continued)

(56) **References Cited**

U.S. PATENT DOCUMENTS

D19,852 S * 5/1890 Hicks D32/66
D20,694 S * 4/1891 Day D32/66

(Continued)

FOREIGN PATENT DOCUMENTS

CN 300709904 * 11/2007
CN 303735328 * 7/2016

(Continued)

OTHER PUBLICATIONS

Brabantia Sleeve Board, available in Amazon.ca, date first available Nov. 4, 2013 [online], [site visited Sep. 22, 2021], Available from

the internet URL: <https://www.amazon.com/Brabantia-Sleeve-Board-60-10/dp/B0002EXYUM> (Year: 2013).*

(Continued)

Primary Examiner — Amy C Wierenga
Assistant Examiner — Jennylou M Binas

(74) *Attorney, Agent, or Firm* — Birch, Stewart, Kolasch & Birch, LLP

(57) **CLAIM**

We claim the ornamental design for an auxiliary ironing board, as shown and described.

DESCRIPTION

FIG. 1 is a perspective view of an auxiliary ironing board showing the new design;

FIG. 2 is a front elevation view thereof;

FIG. 3 is a rear elevation view thereof;

FIG. 4 is a left side elevation view thereof;

FIG. 5 is a right side elevation view thereof;

FIG. 6 is a top plan view thereof;

FIG. 7 is a bottom plan view thereof;

FIG. 8 is a perspective view of the auxiliary ironing board showing an alternate configuration with the leg unfolded;

FIG. 9 is a front elevation view thereof;

FIG. 10 is a rear elevation view thereof;

FIG. 11 is a left side elevation view thereof;

FIG. 12 is a right side elevation view thereof;

FIG. 13 is a top plan view thereof;

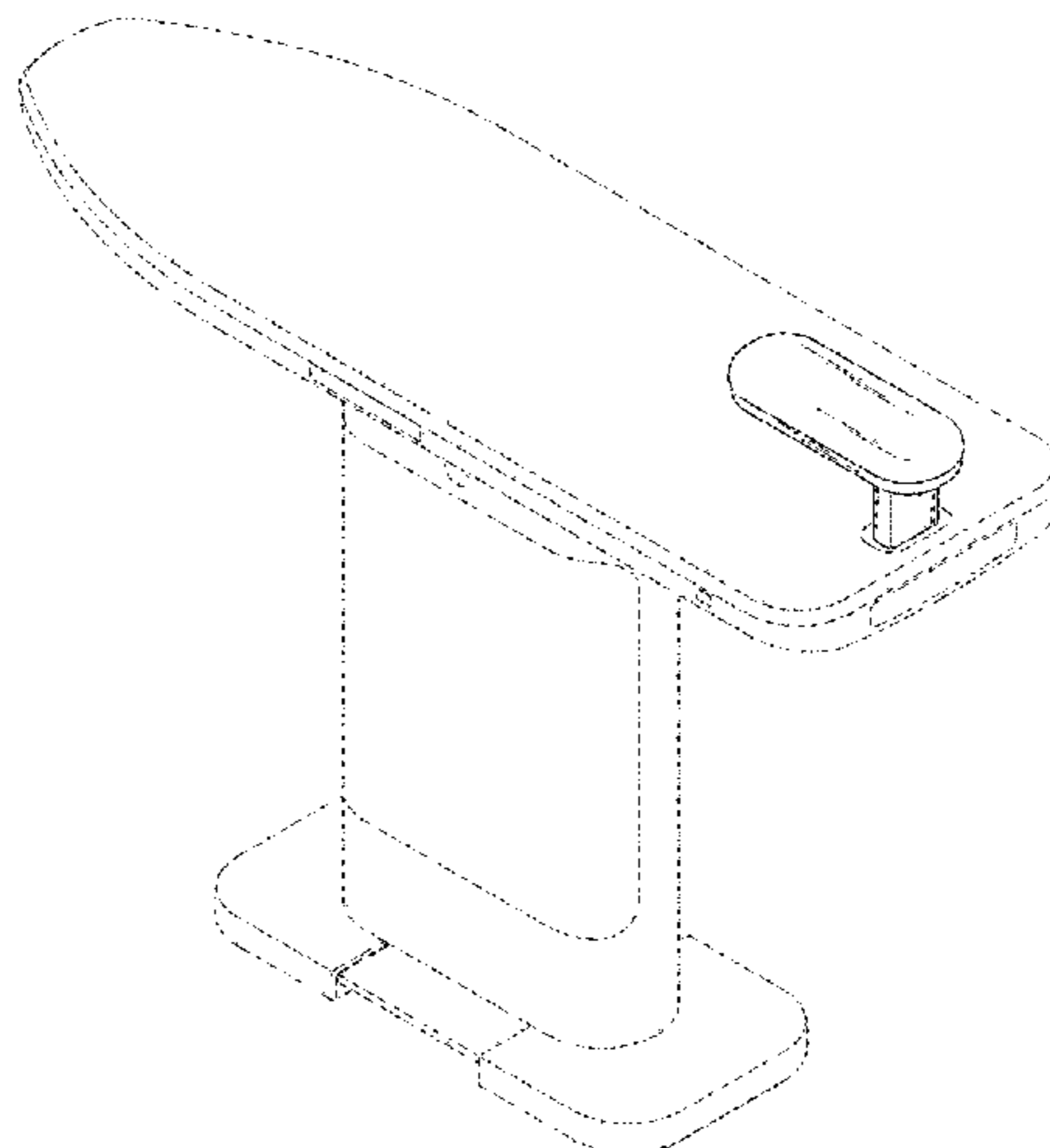
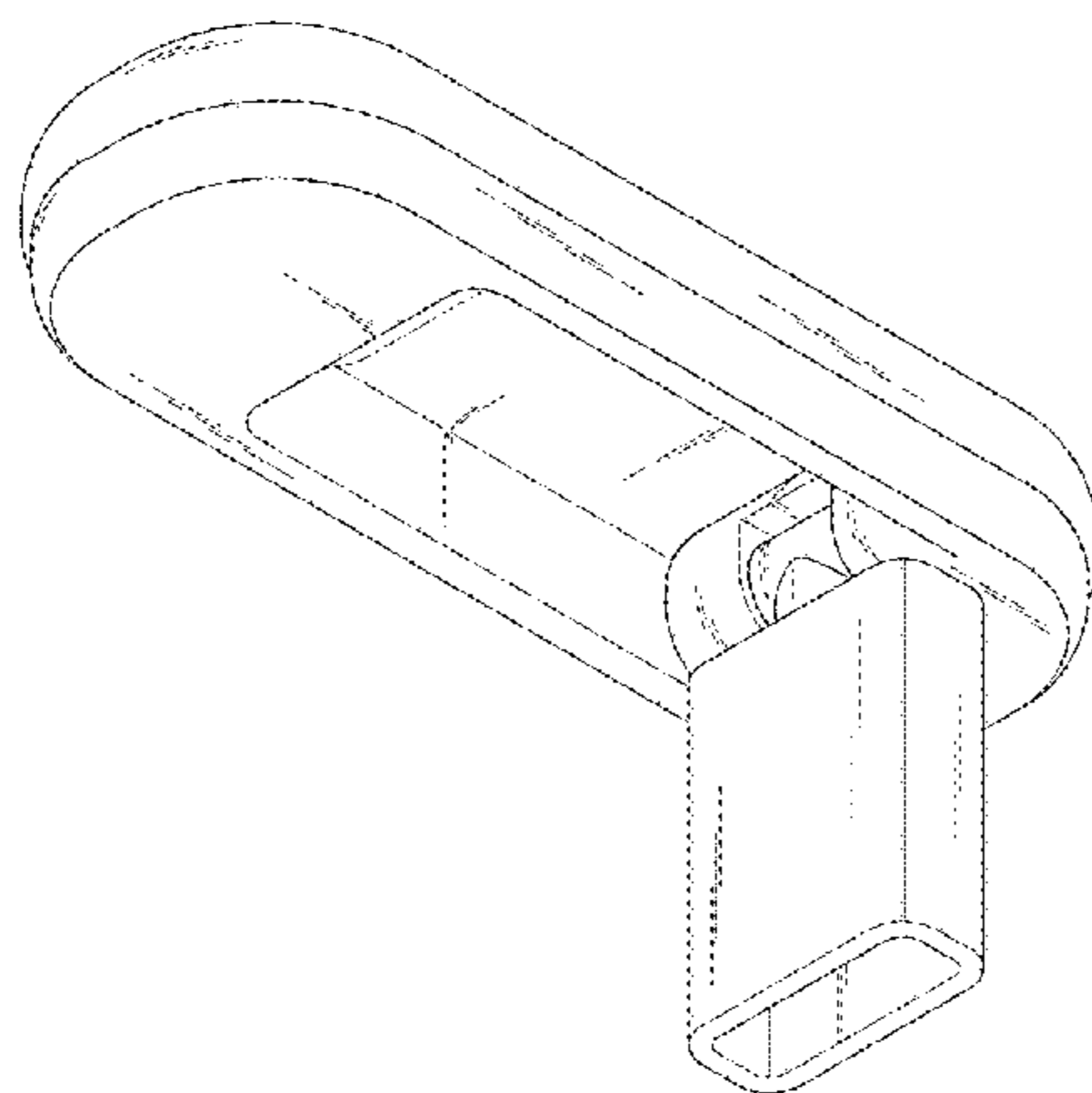
FIG. 14 is a bottom plan view thereof;

FIG. 15 is a perspective view of the auxiliary ironing board shown in a state of use; and,

FIG. 16 is another perspective view thereof.

The broken lines shown in FIGS. 1, 7, 8 and 14 depict portions of the auxiliary ironing board that form no part of the claimed design. The broken line showing of the ironing board in FIGS. 15 and 16 is for the purpose of illustrating environment and forms no part of the claimed design.

1 Claim, 16 Drawing Sheets



(58) **Field of Classification Search**

CPC A47B 39/06; D06F 81/00; D06F 81/003;
 D06F 81/006; D06F 81/02; D06F 81/04;
 D06F 81/06; D06F 81/08; D06F 81/12;
 D06F 83/00; Y10S 38/00; Y10S 38/01;
 Y10S 38/02; Y10S 38/03; Y10T 292/305
 See application file for complete search history.

FOREIGN PATENT DOCUMENTS

CN	305477126	* 12/2019
GB	2102943	* 8/2001
KR	300254933.0000	* 3/2000
RU	00121939	* 10/2020
RU	00124978	* 4/2021
RU	00125415	* 5/2021
WO	D206438-001	* 8/2021
WO	D206841-001	* 8/2021

(56) **References Cited**

U.S. PATENT DOCUMENTS

D28,202	S	*	1/1898	Dana	D32/66
D28,612	S	*	5/1898	Rowse	D32/66
D30,286	S	*	2/1899	Boesel	D32/66
D31,719	S	*	10/1899	Powell	D32/66
998,988	A	*	7/1911	Reynolds	A47B 13/081 108/62
1,027,479	A	*	5/1912	Hoffine	A47B 13/16 108/26
1,063,685	A	*	6/1913	Hoffine	D06F 81/006 38/111
1,100,774	A	*	6/1914	Petersen	A47B 3/00 108/99
1,154,726	A	*	9/1915	Ramlow	D06F 83/00 38/140
2,523,425	A	*	9/1950	Gargaglione	A47B 77/10 108/13
2,554,344	A	*	5/1951	Pattison	D06F 83/00 38/140
D167,456	S	*	8/1952	Glassie et al.	D32/66
2,888,760	A	*	6/1959	Shaffer	D06F 81/12 38/136
D189,832	S	*	2/1961	Farmer	D32/66
D532,220	S	*	11/2006	Domack	D6/687
D937,524	S	*	11/2021	Park	D32/66
D938,123	S	*	12/2021	Bae	D32/66
D940,423	S	*	1/2022	Bae	D32/66

OTHER PUBLICATIONS

Ironing board: 30 clever helpers, announced in YouTube on May 27, 2015 [online], [site visited Sep. 22, 2021], Available from the internet URL: <https://www.youtube.com/watch?v=CEO-TPqKQv4> (Year: 2015).*

Jacobson Products Padded Sleeve Ironing Board, available in Amazon.ca, date 1st available Sep. 22, 2017 [online],[site visited Sep. 22, 2021],Available from internet URL: https://www.amazon.ca/Jacobson-Products-Padded-Sleeve-Ironing/dp/B01MTAI79D/ref=sr_1_1?dchild=1&keywords=B01MTAI79D&qid=1632341537&sr=8-1 (Year: 2017).*

BQKOZFIN 5 Level Height Adjustment Ironing Board, available in Amazon.ca, date first available May 24, 2021 [online], [site visited Sep. 22, 2021], Available from the internet URL: <https://www.amazon.ca/BQKOZFIN-Adjustment-Multifunctional-Boat-Shaped-43-Wx11-8Dx24-31/dp/B095P98DPS> (Year: 2021).*

Mini Ironing Board with Folding Leg, available in Amazon.ca,date 1st available Oct. 8, 2018[online],[site visited Sep. 22, 2021],Available internet URL: https://www.amazon.ca/Tabletop-Ironing-Space-Saving-Folding-Collars/dp/B07J56579R/ref=sr_1_1?dchild=1&keywords=B07J56579R&qid=1632342671&s=kitchen&sr=1-1 (Year: 2018).*

* cited by examiner

FIG. 1

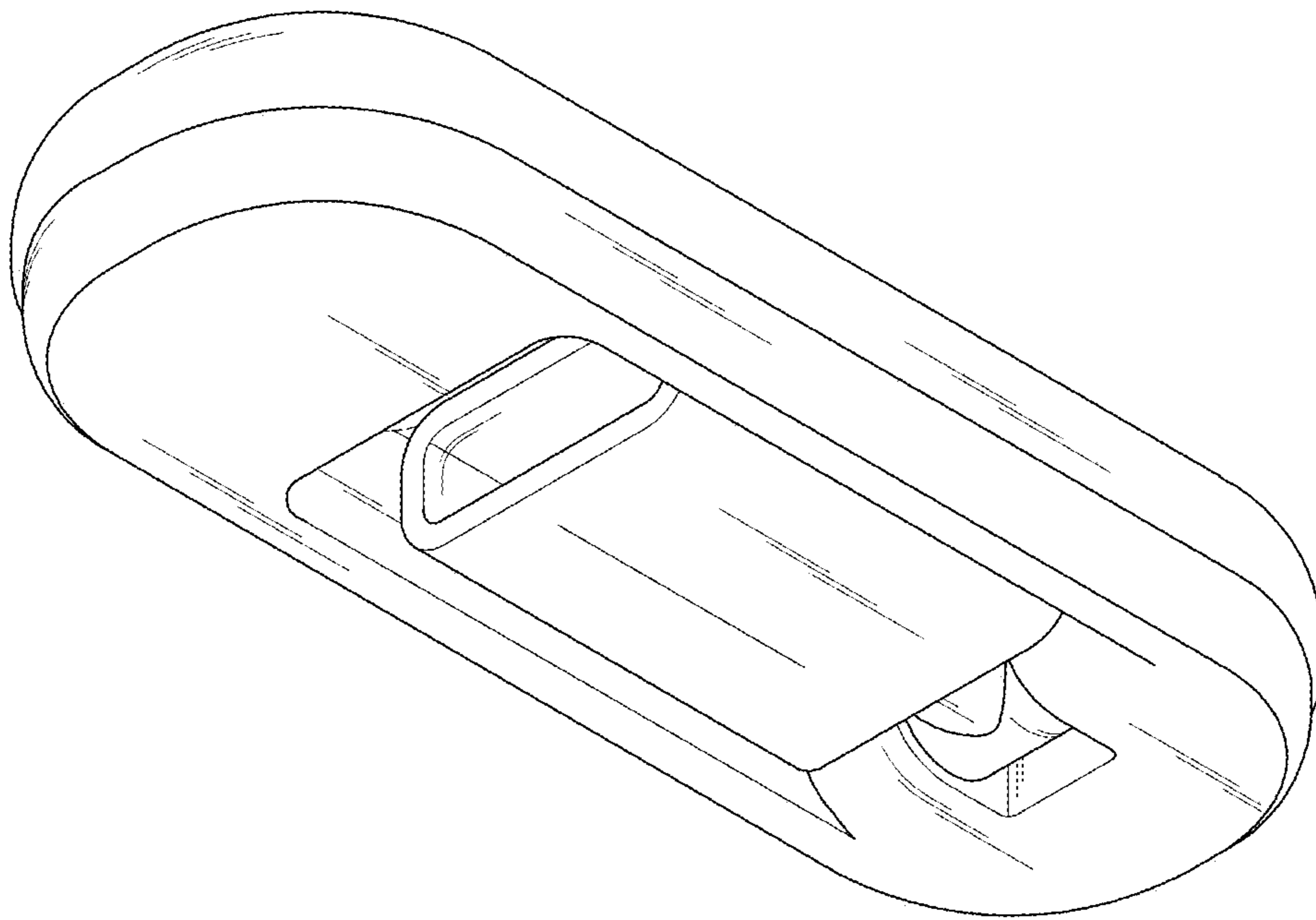


FIG. 2

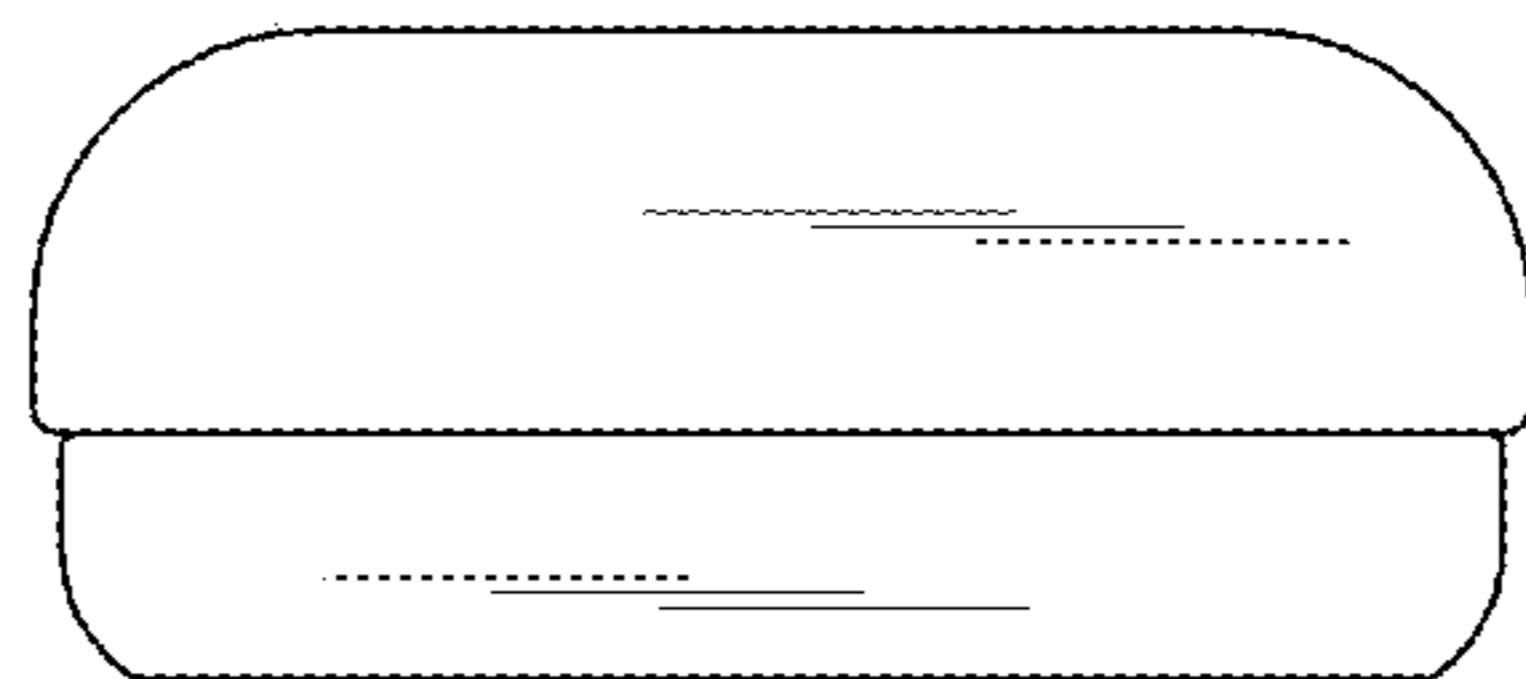


FIG. 3

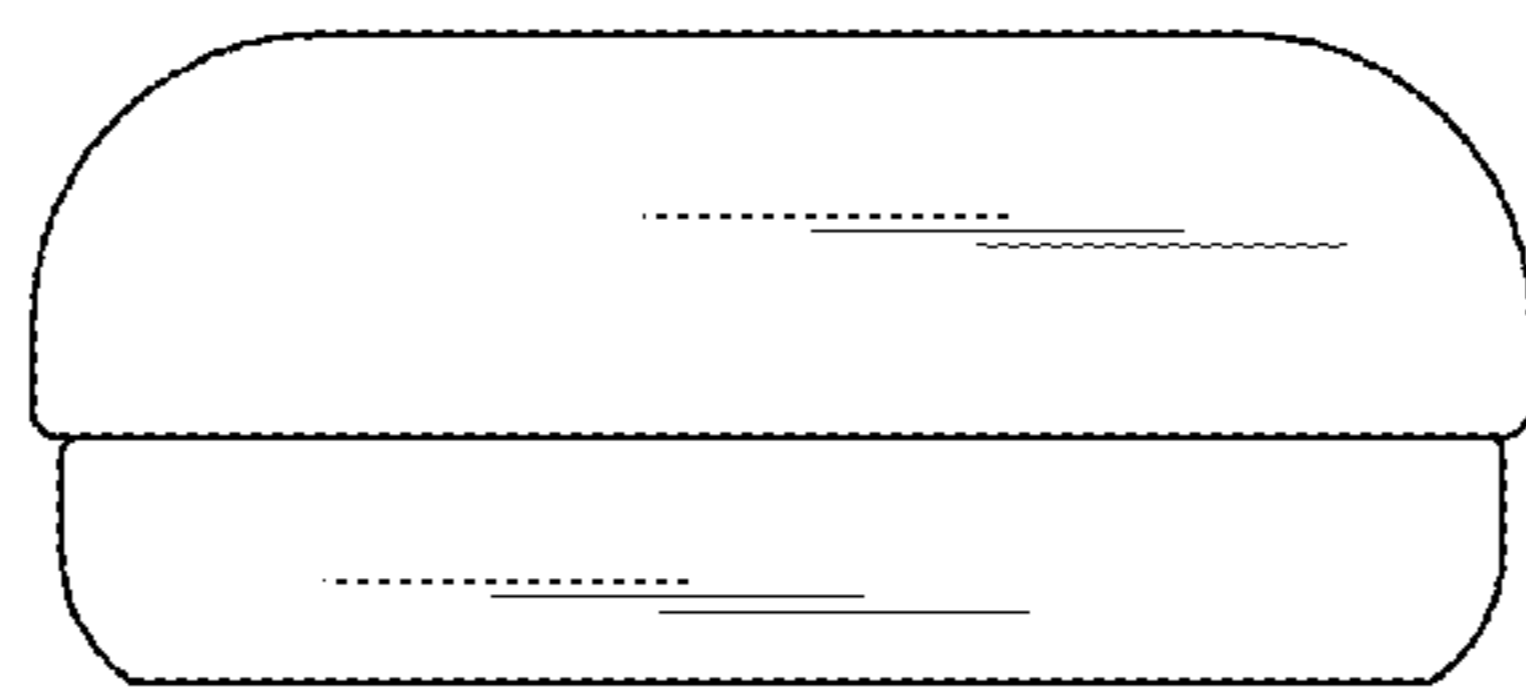


FIG. 4

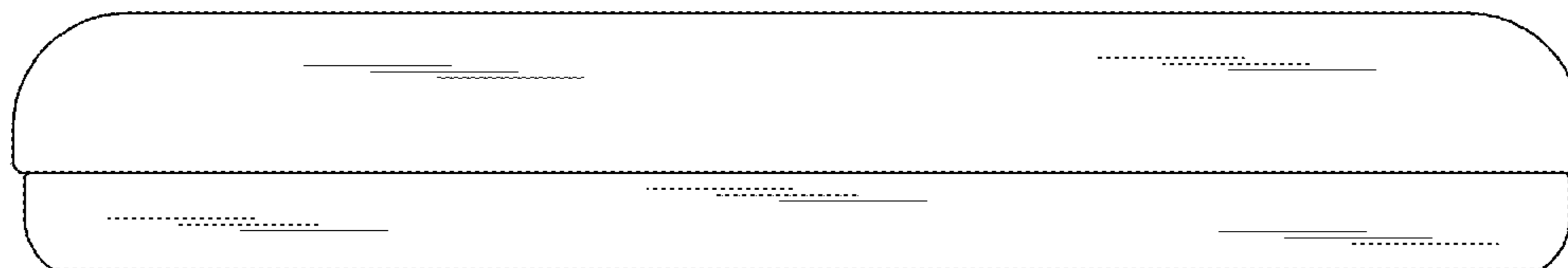


FIG. 5

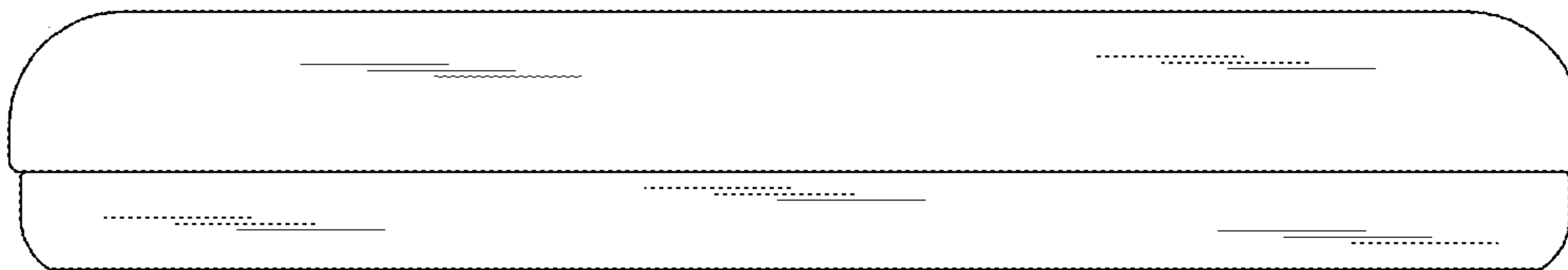


FIG. 6

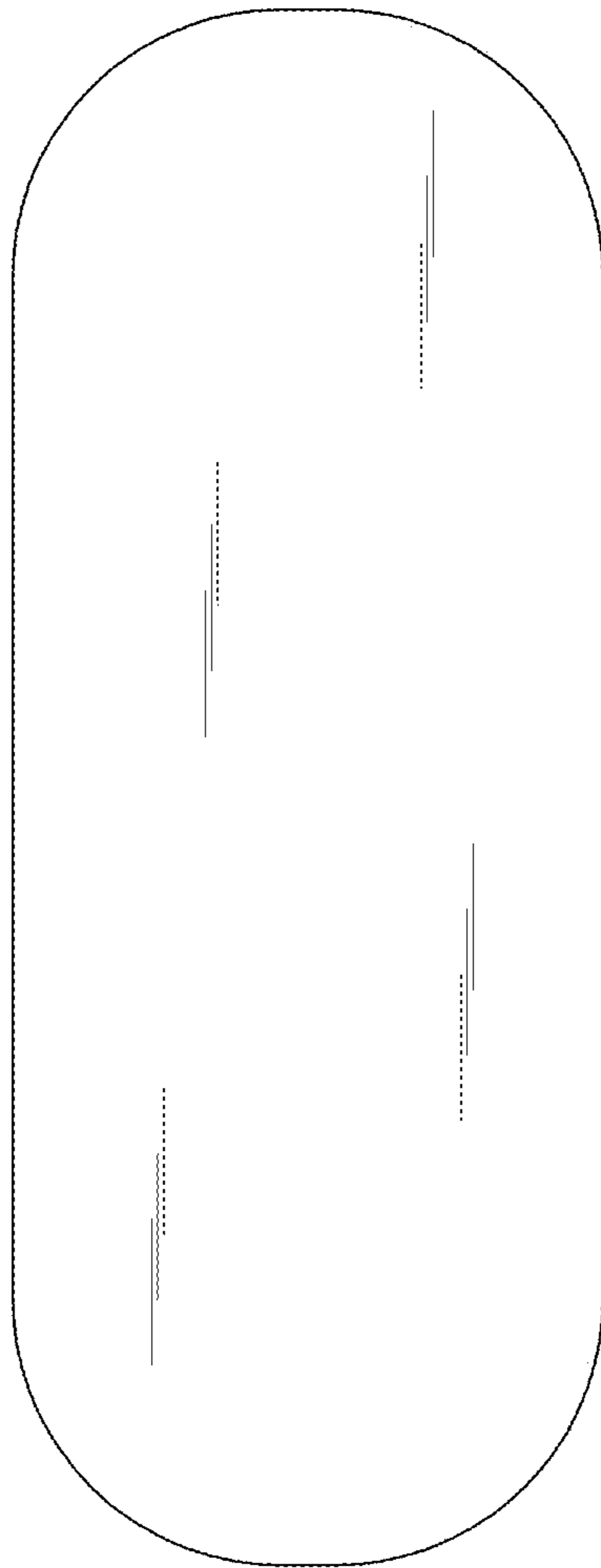


FIG. 7

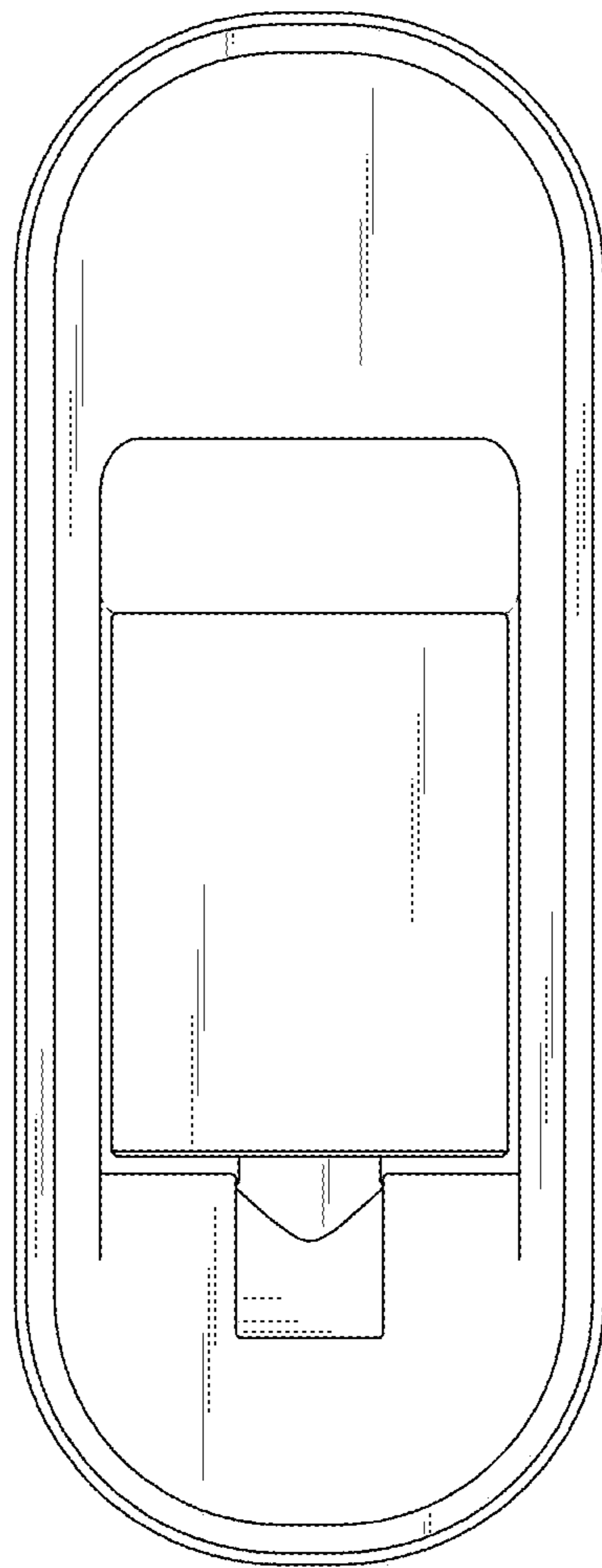


FIG. 8

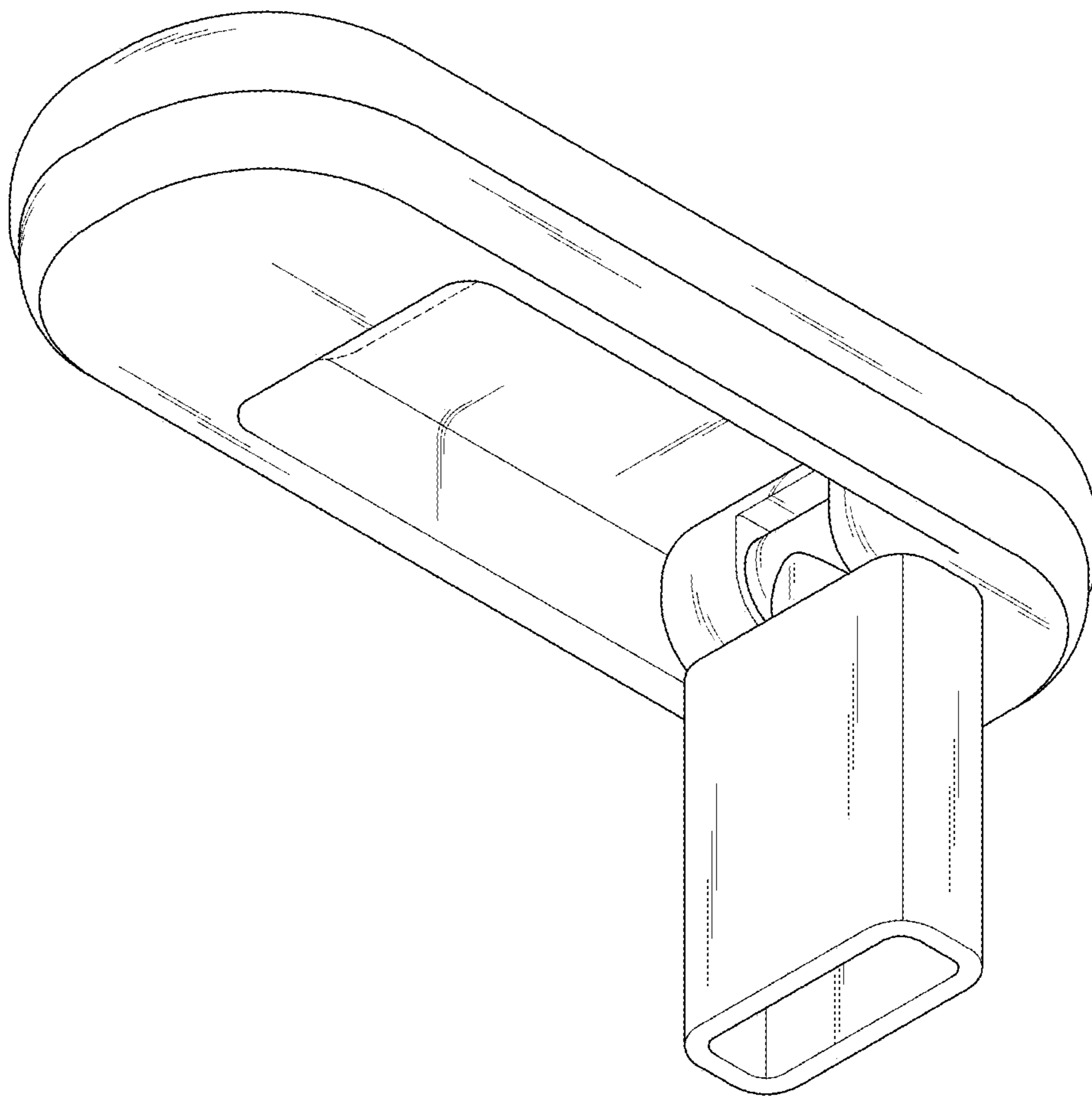


FIG. 9

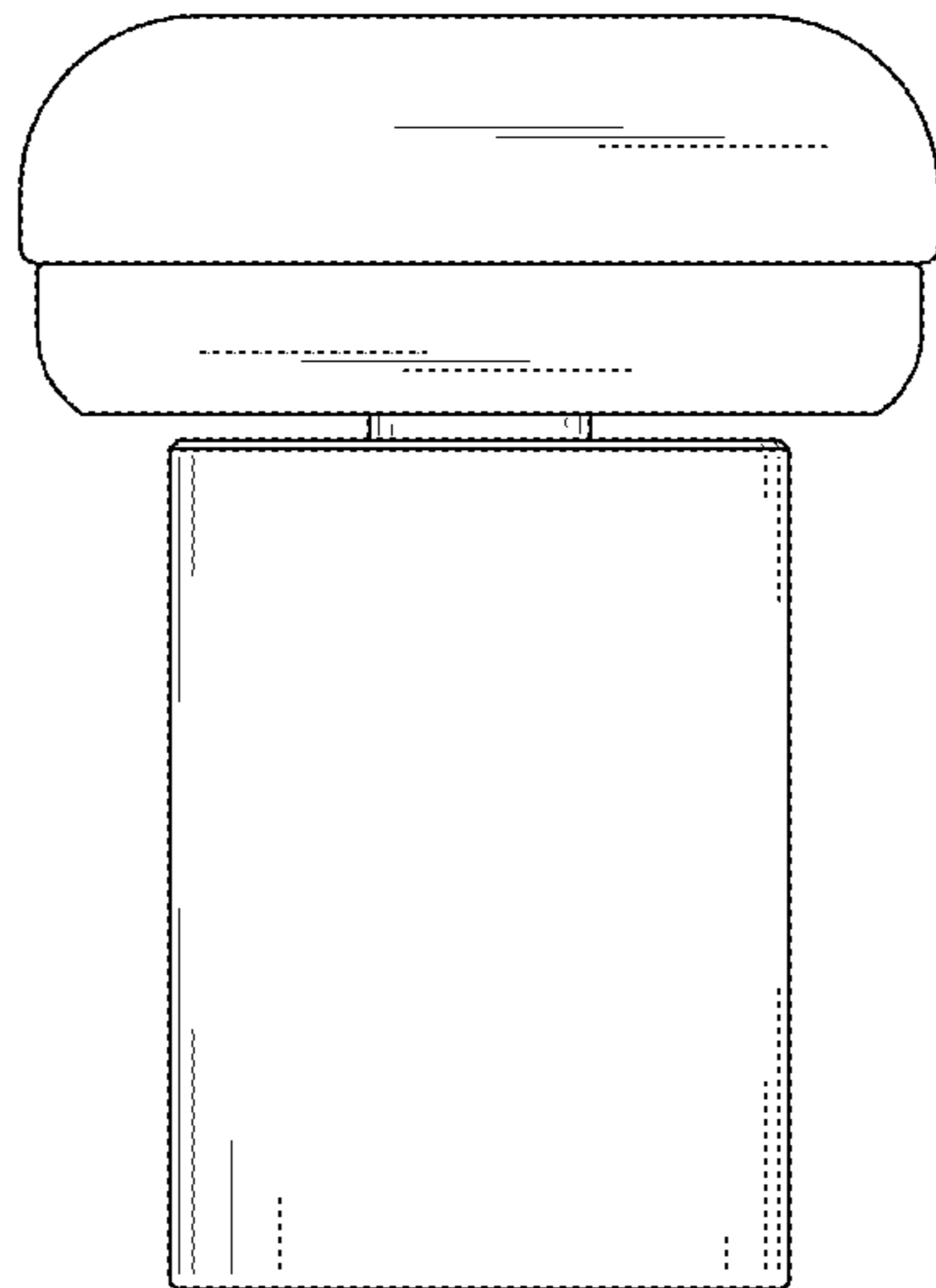


FIG. 10

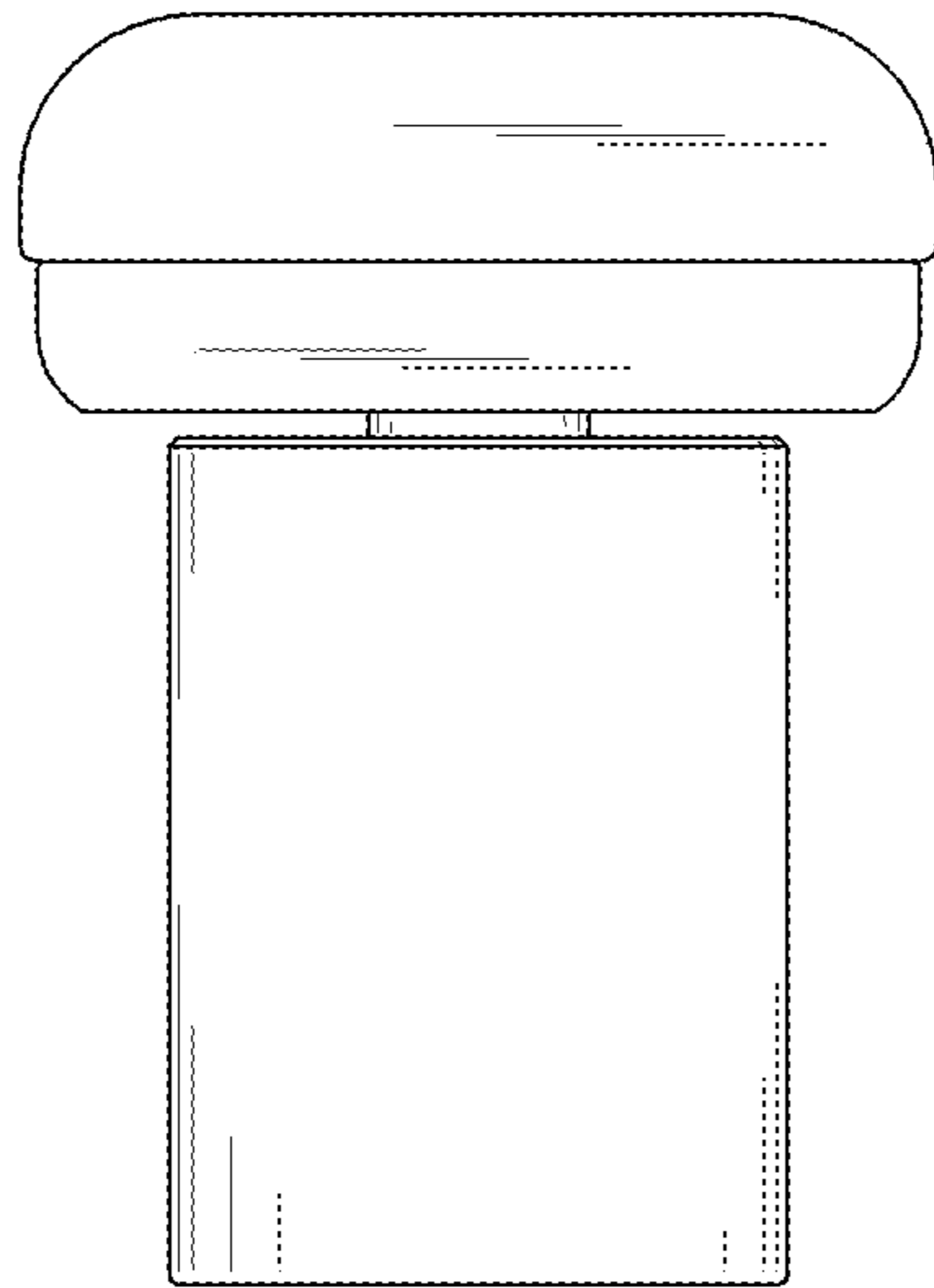


FIG. 11

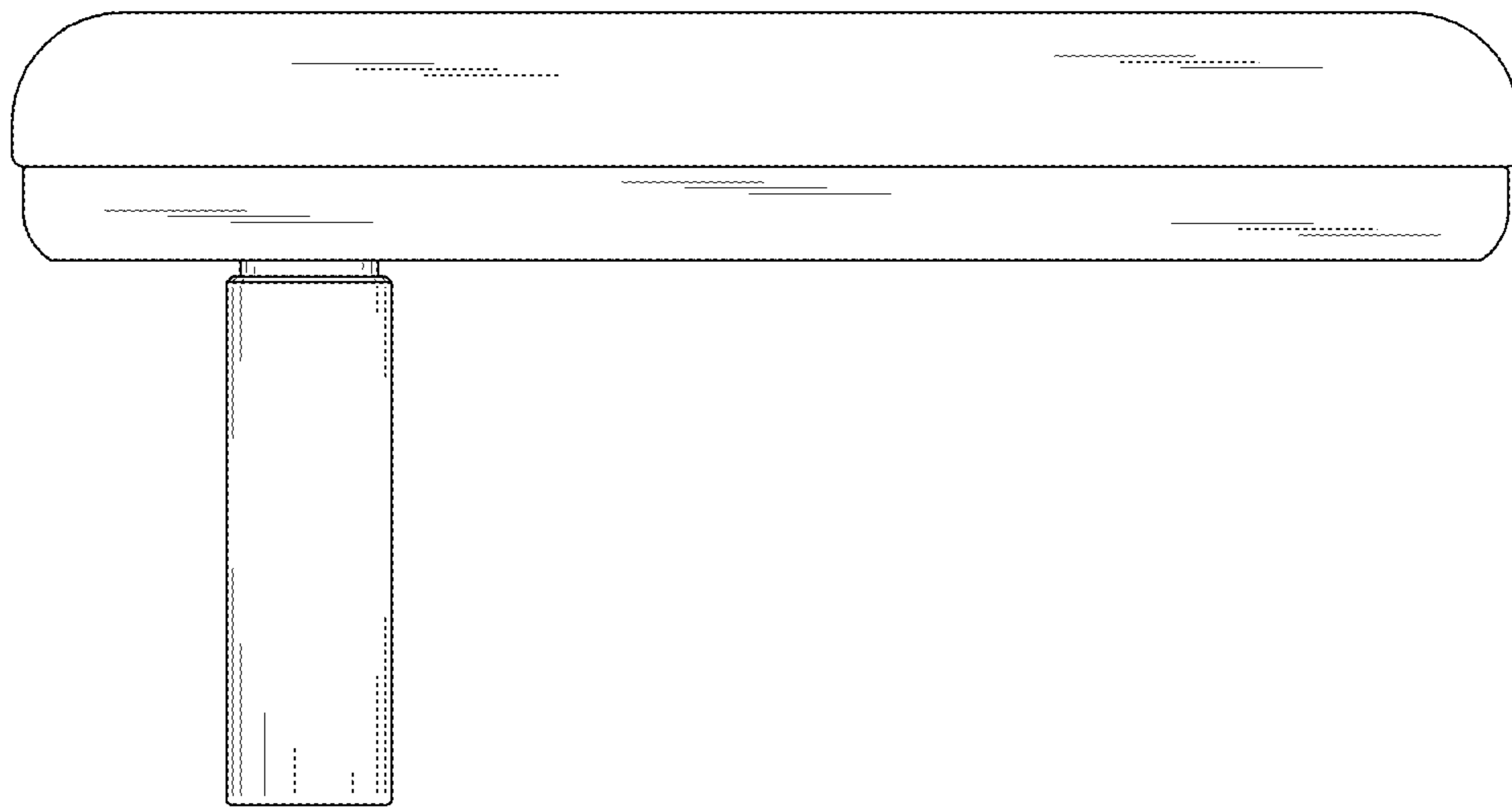


FIG. 12

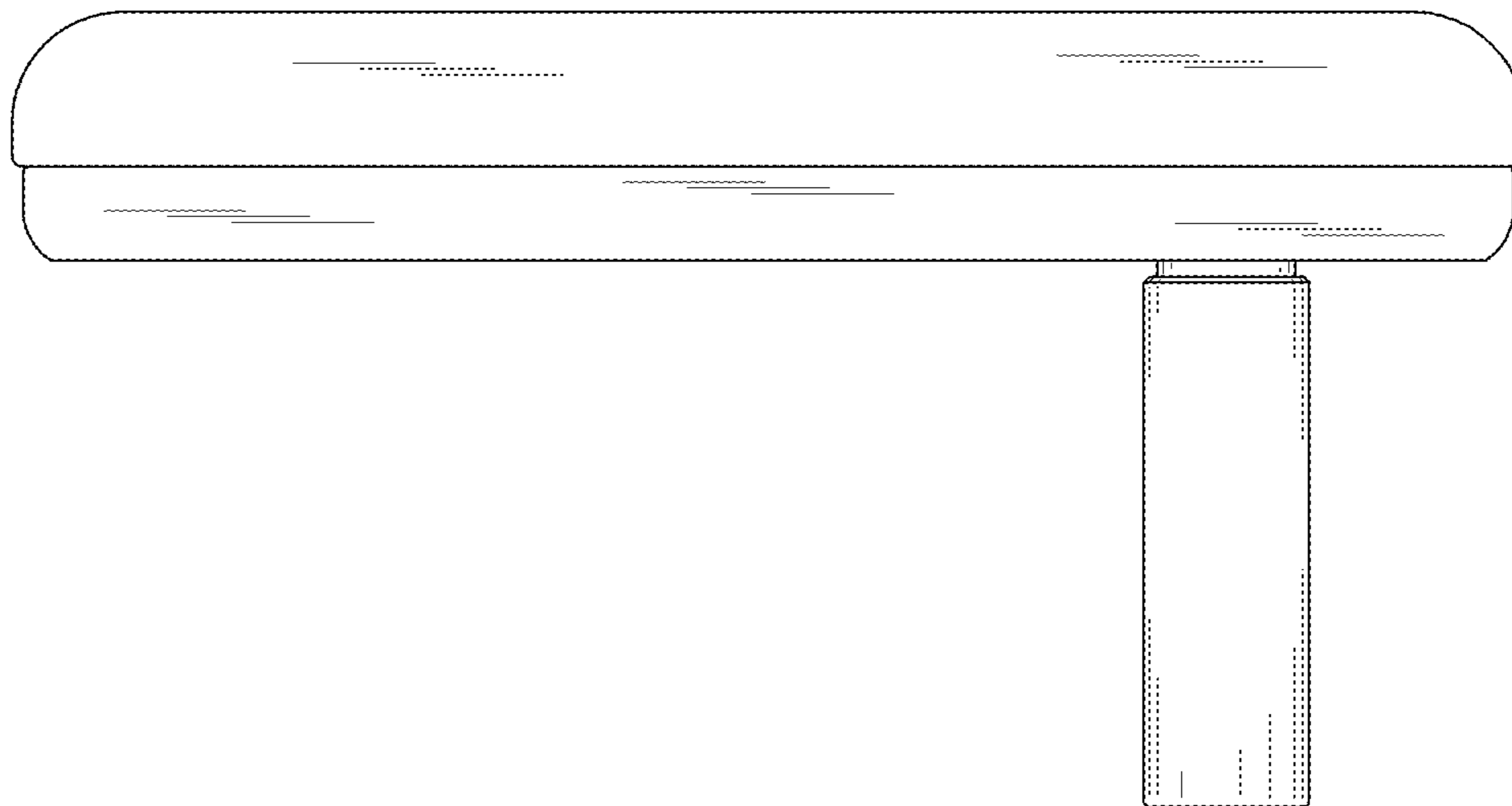


FIG. 13

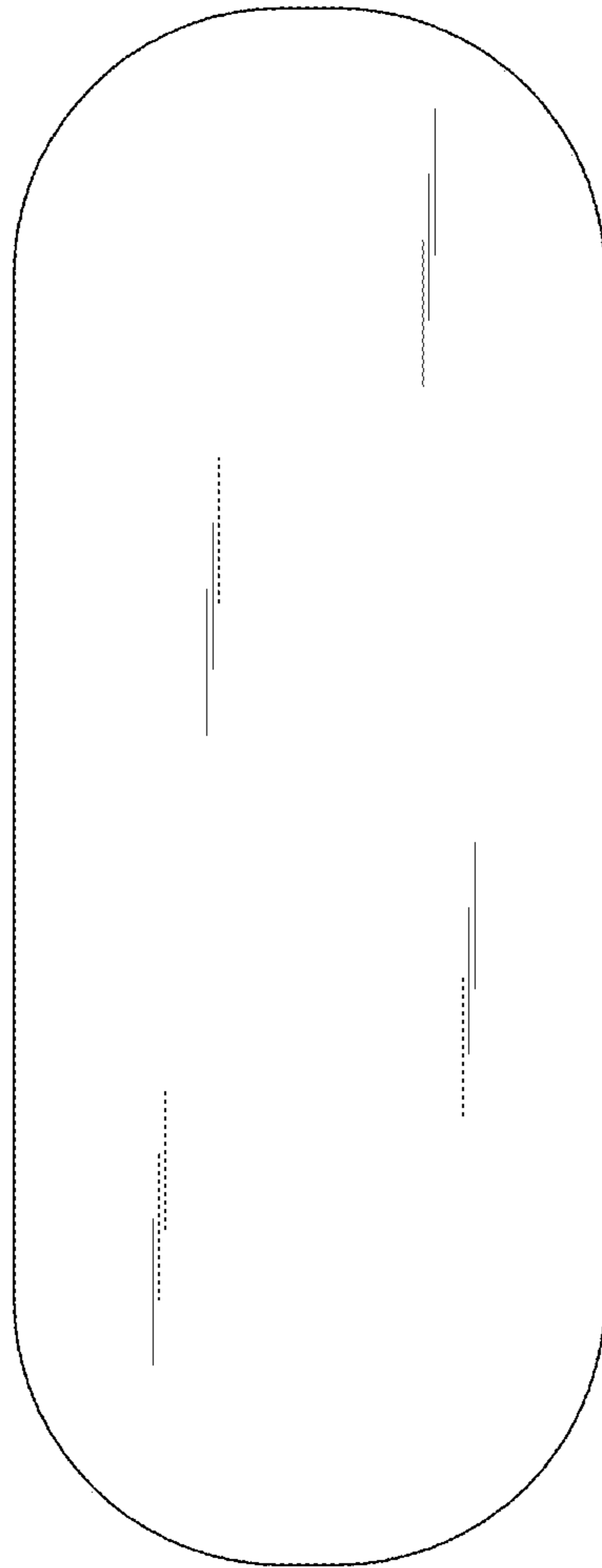


FIG. 14

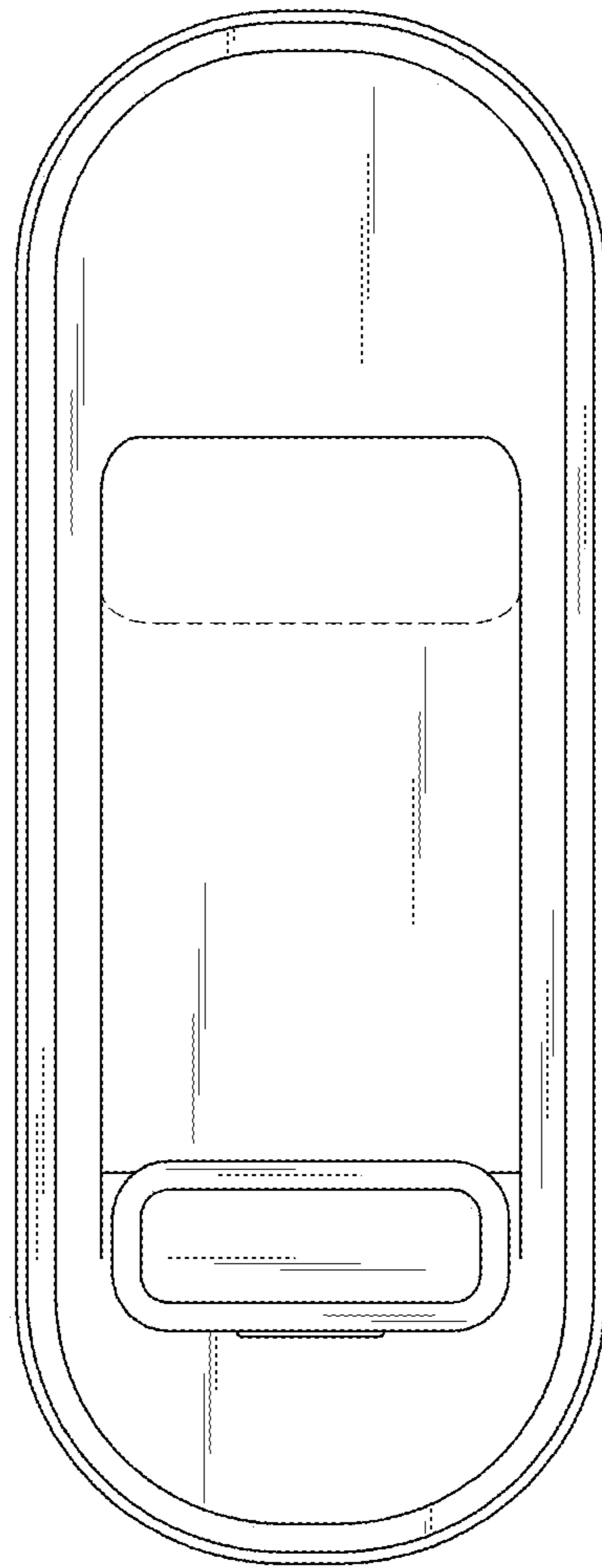


FIG. 15

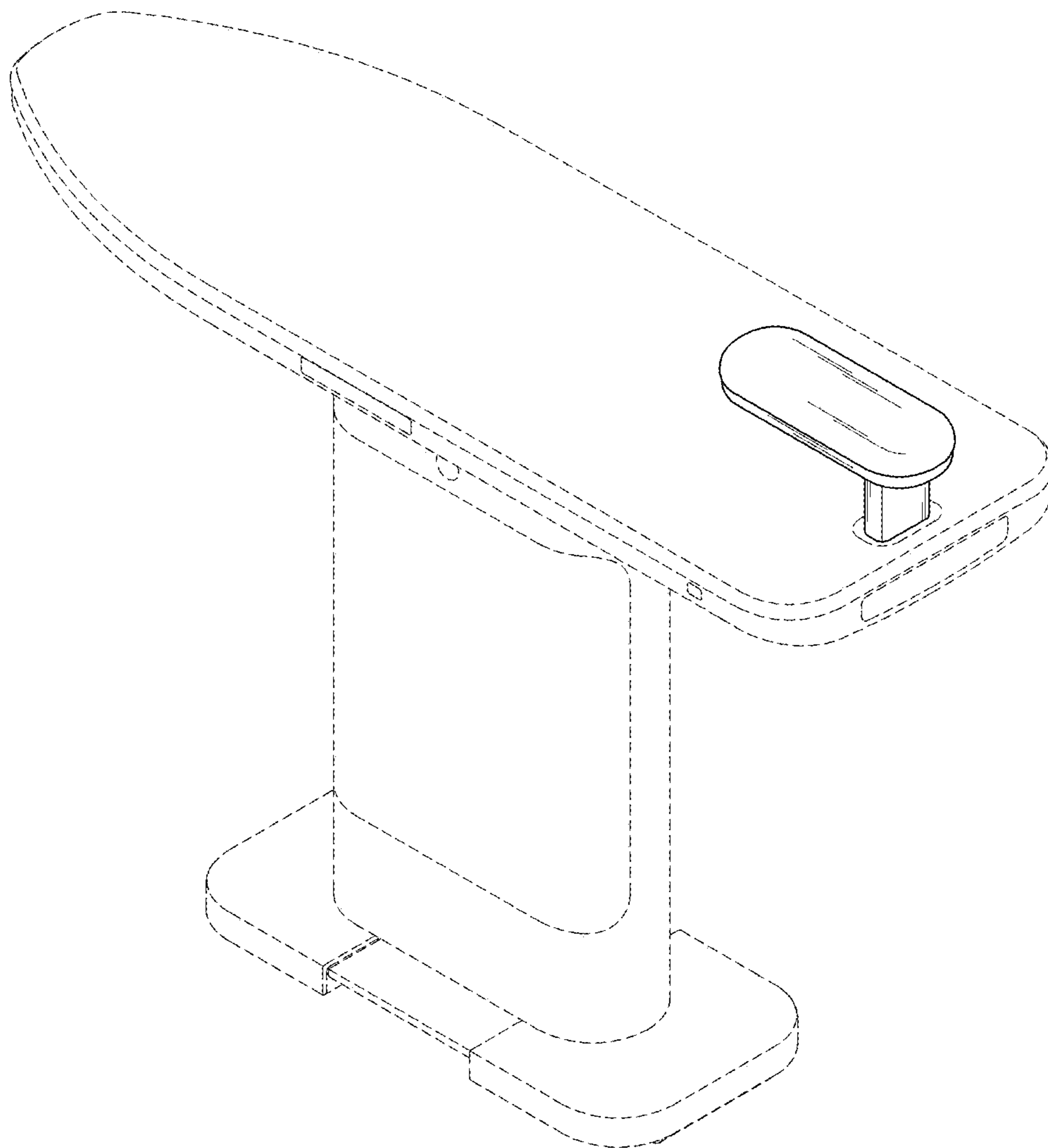


FIG. 16

