



US00D952280S

(12) **United States Design Patent** (10) **Patent No.:** **US D952,280 S**
Chen (45) **Date of Patent:** **** May 17, 2022**

(54) **DISH RACK**
(71) Applicant: **Lan Chen**, New York, NY (US)
(72) Inventor: **Lan Chen**, New York, NY (US)
(73) Assignee: **Best Brands Consumer Products, Inc.**,
Edison, NJ (US)
(**) Term: **15 Years**
(21) Appl. No.: **29/818,042**
(22) Filed: **Dec. 6, 2021**

Related U.S. Application Data

(63) Continuation of application No. 29/711,395, filed on
Oct. 30, 2019, now Pat. No. Des. 938,122.
(51) **LOC (13) Cl.** **07-05**
(52) **U.S. Cl.**
USPC **D32/55**
(58) **Field of Classification Search**
USPC D32/55, 276, 3; D6/510, 525; D30/133;
211/41.5, 41.4, 41.3, 41.8; 361/679.4;
312/311, 333, 334.4; D7/354, 629
CPC .. A47L 15/505; A47L 15/503; A47L 15/0013;
A47L 19/02; A47L 19/04; A47J 47/20
See application file for complete search history.

(56) **References Cited**

U.S. PATENT DOCUMENTS

D268,878 S *	5/1983	Taylor	D32/55
D736,488 S *	8/2015	Le	D32/55
D822,930 S *	7/2018	Green	D32/55
10,226,154 B2 *	3/2019	Richards	A47J 47/20
D865,310 S *	10/2019	Baez	D32/56
D871,703 S *	12/2019	Huang	D32/55
D871,705 S *	12/2019	Richards	D32/55
D873,520 S *	1/2020	Le	D32/55
D938,122 S *	12/2021	Chen	D32/55
D938,684 S *	12/2021	Zhang	D32/55

* cited by examiner

Primary Examiner — Austin Murphy
(74) *Attorney, Agent, or Firm* — Goldberg Cohen LLP

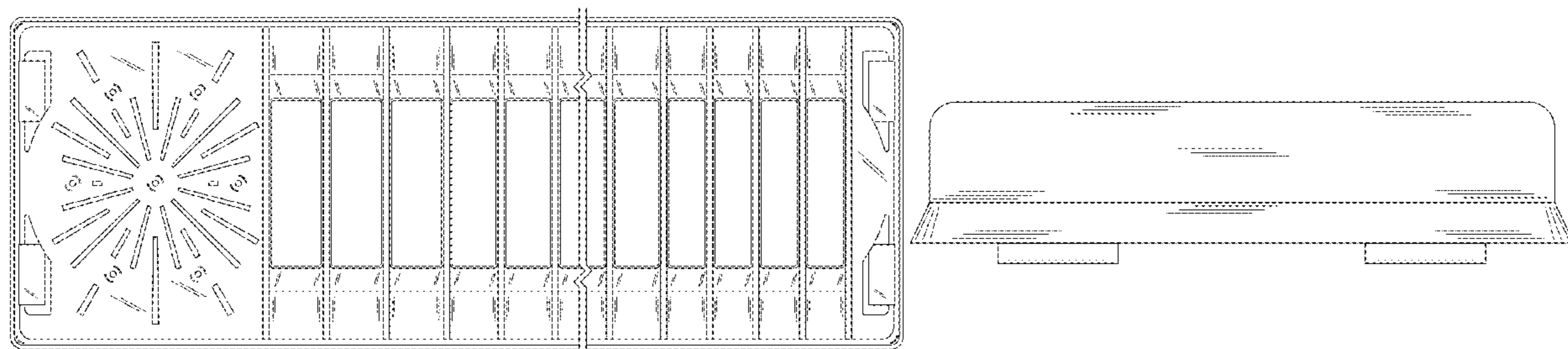
(57) **CLAIM**

I claim the ornamental design for a dish rack, as shown and described.

DESCRIPTION

FIG. 1 is an isometric top, right side view of a dish rack;
FIG. 2 is a top view thereof;
FIG. 3 is a bottom view thereof;
FIG. 4 is a front view thereof;
FIG. 5 is a right side view thereof;
FIG. 6 is a rear view thereof;
FIG. 7 is a left side view thereof;
FIG. 8 is an enlarged view of section A of FIG. 7;
FIG. 9 is a sectioned elevation left side view thereof, the
section being taken in a direction of section line 9--9 of FIG.
2;
FIG. 10 is a sectioned elevation left side view thereof, the
section being taken in a direction of section line 10--10 of
FIG. 2;
FIG. 11 is a sectioned elevation left side view thereof, the
section being taken in a direction of section line 11--11 of
FIG. 2;
FIG. 12 is an isometric top, right side view of a second
embodiment of a dish rack, the second embodiment of a dish
rack having a number of like features of the dish rack of FIG.
1, and replicate the same views as FIGS. 4, 5, 6, 7, 8, 9, and
10;
FIG. 13 is a top view of the second embodiment thereof;
and,
FIG. 14 is a top view of the second embodiment thereof.
The broken lines in the drawings depict portions of the
embodiments of the dish rack form no part of the claim.

1 Claim, 11 Drawing Sheets



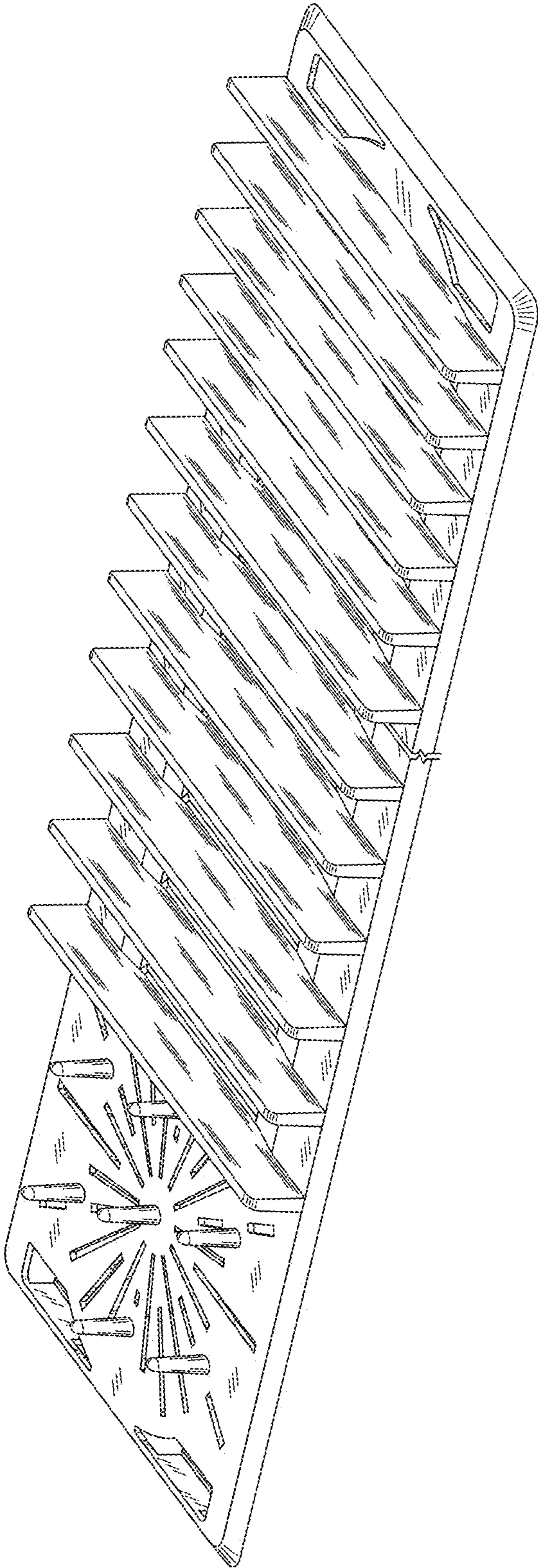


FIG. 1

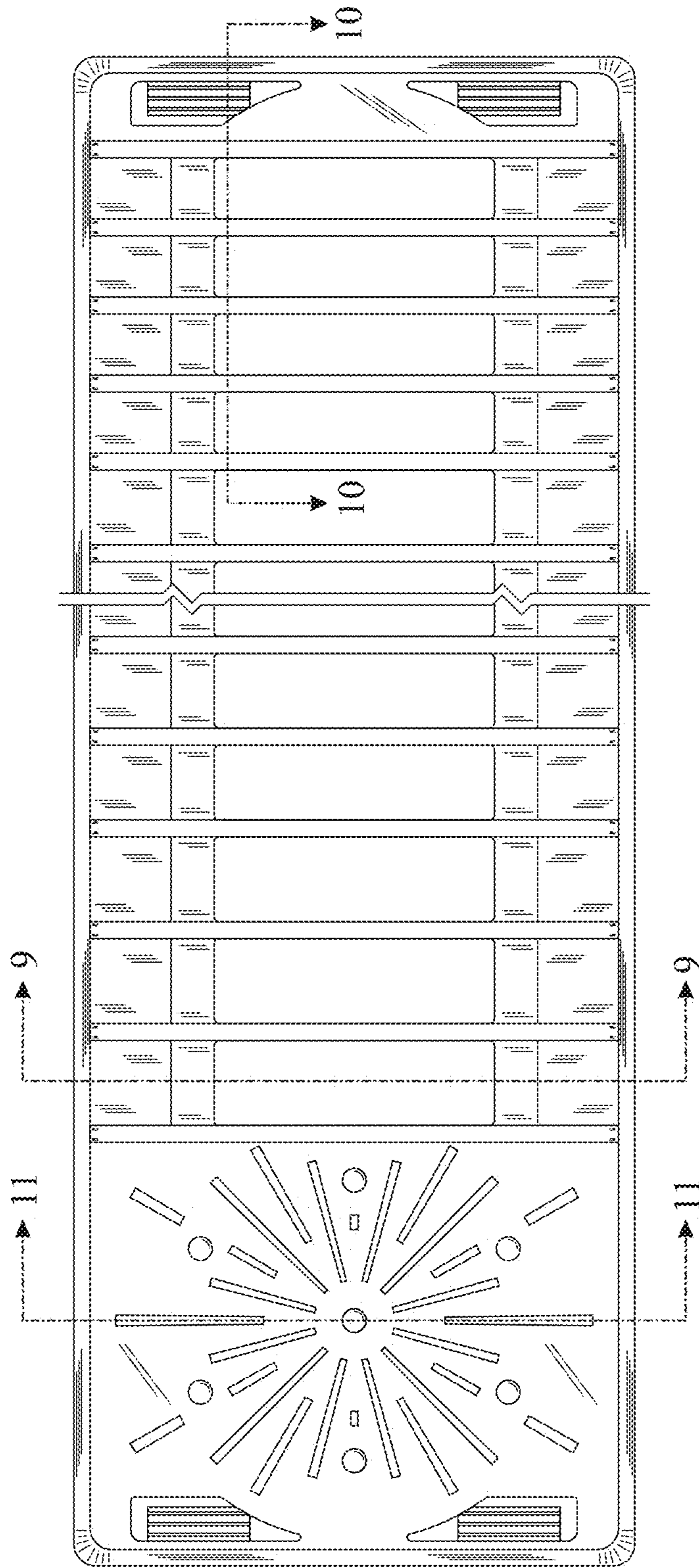


FIG. 2

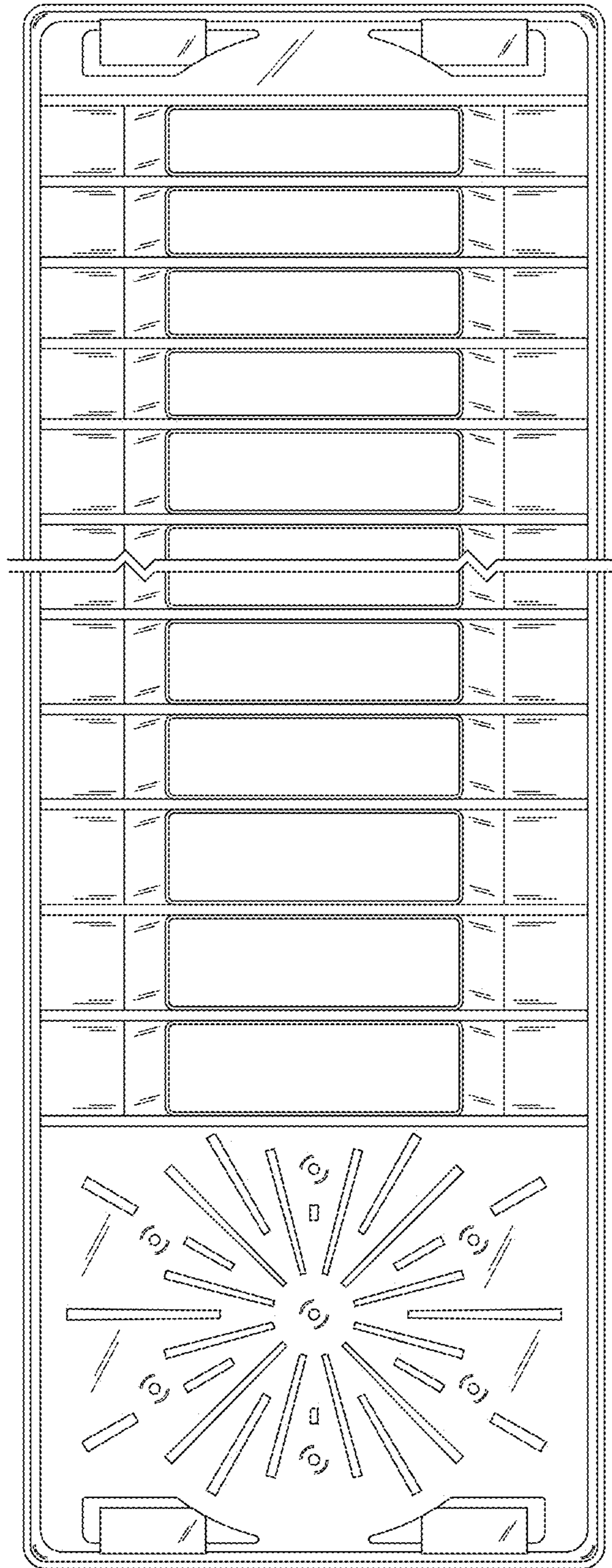


FIG. 3

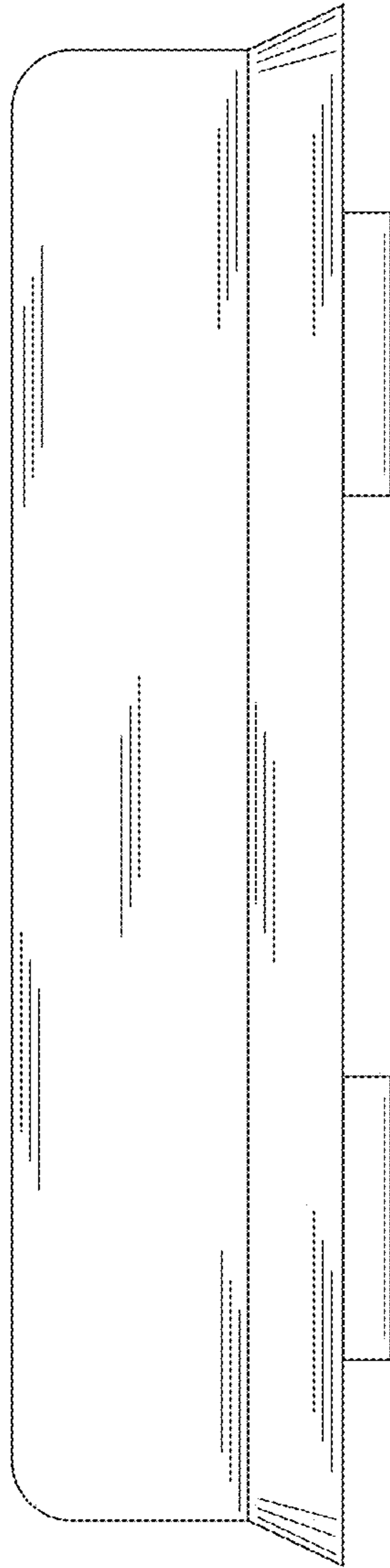


FIG. 4

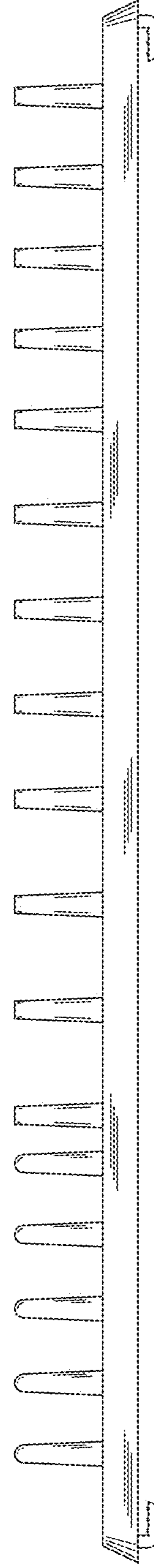


FIG. 5

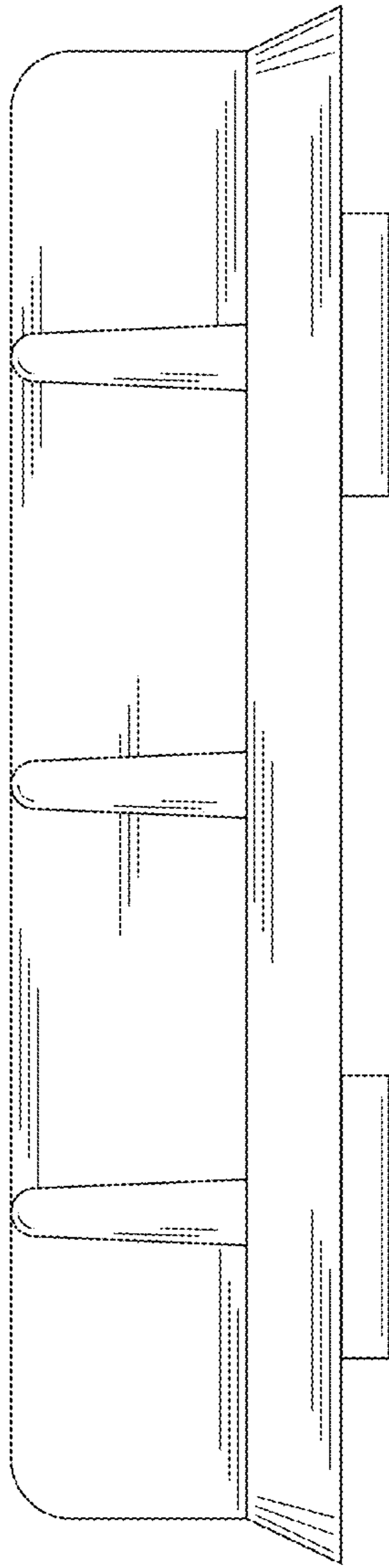


FIG. 6

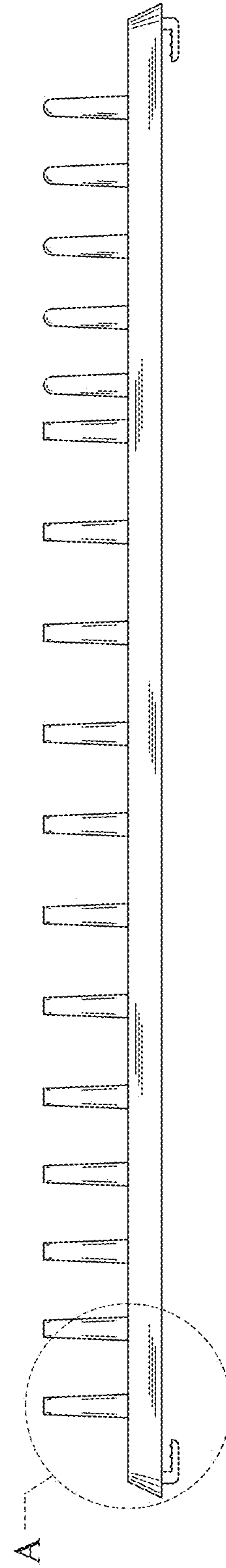


FIG. 7

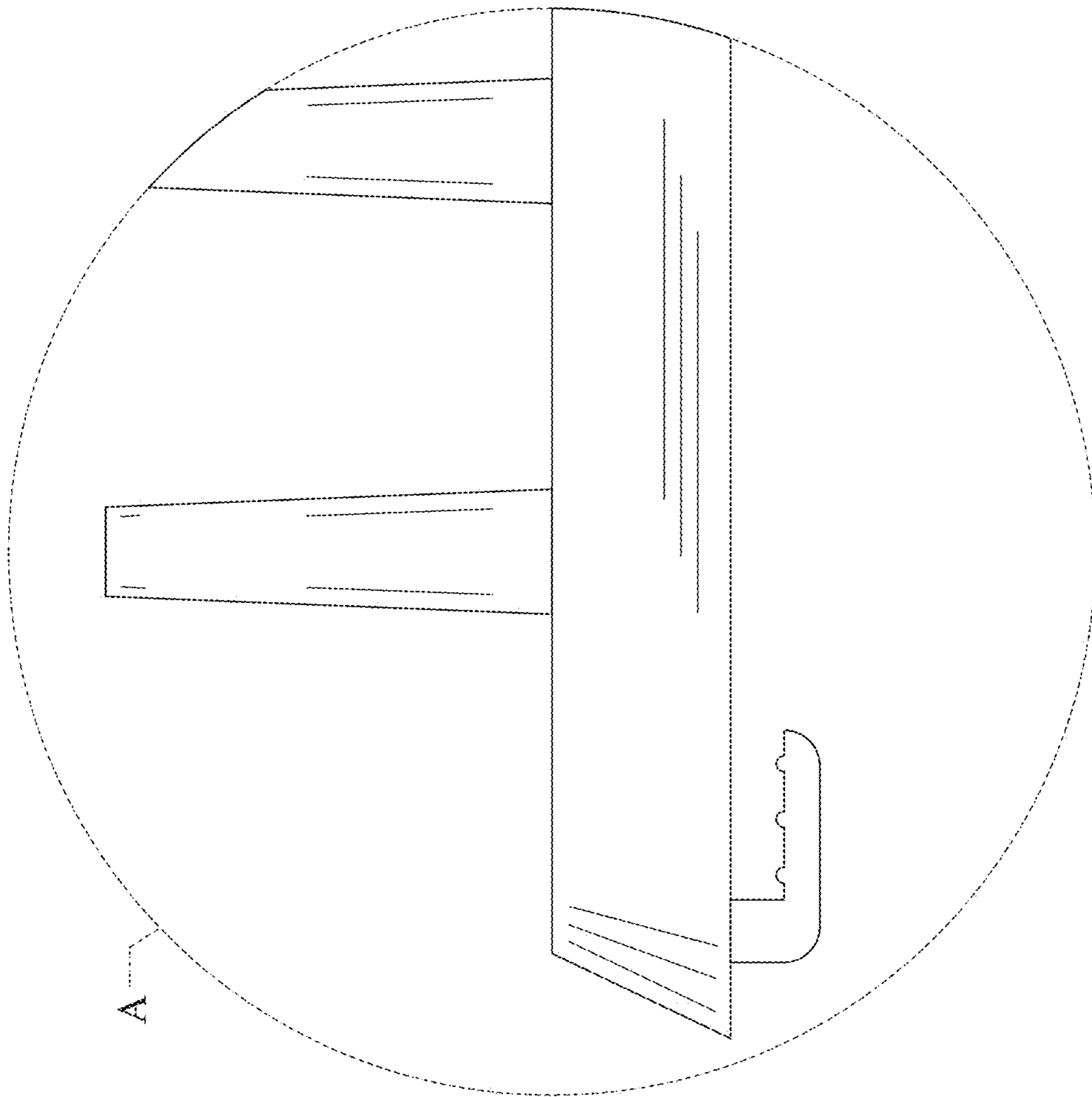


FIG. 8

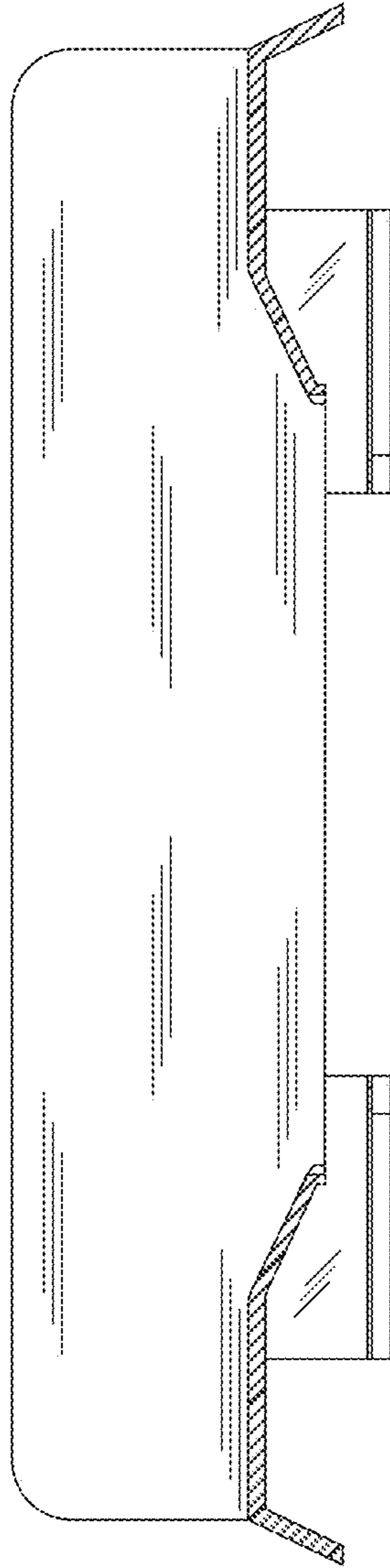


FIG. 9

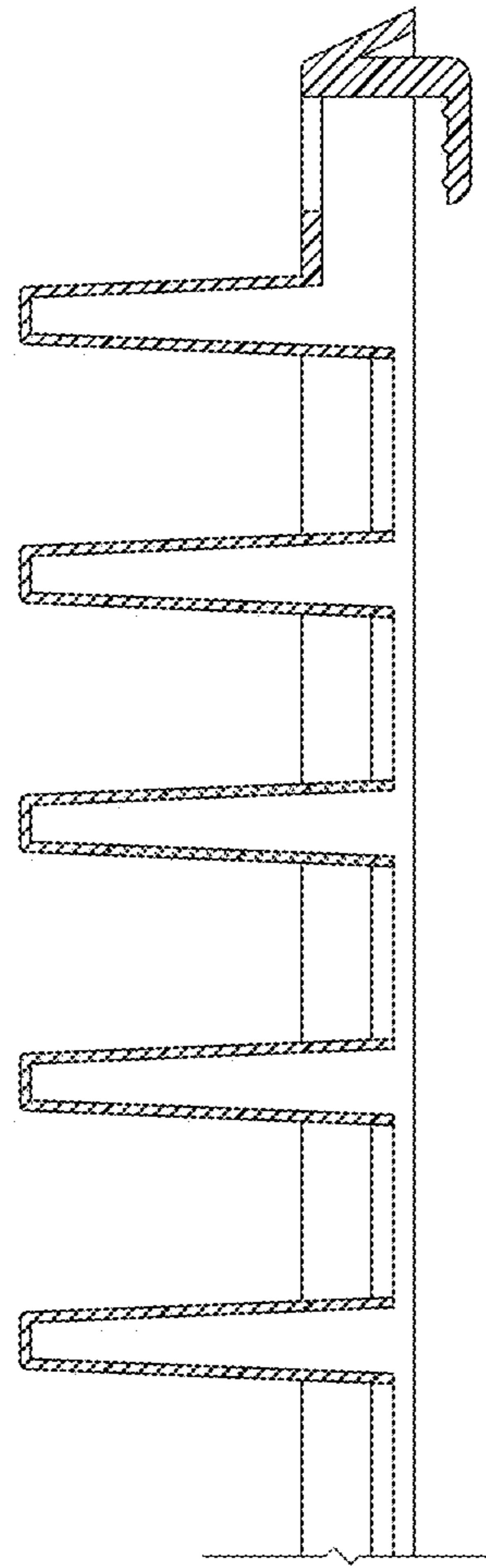


FIG. 10

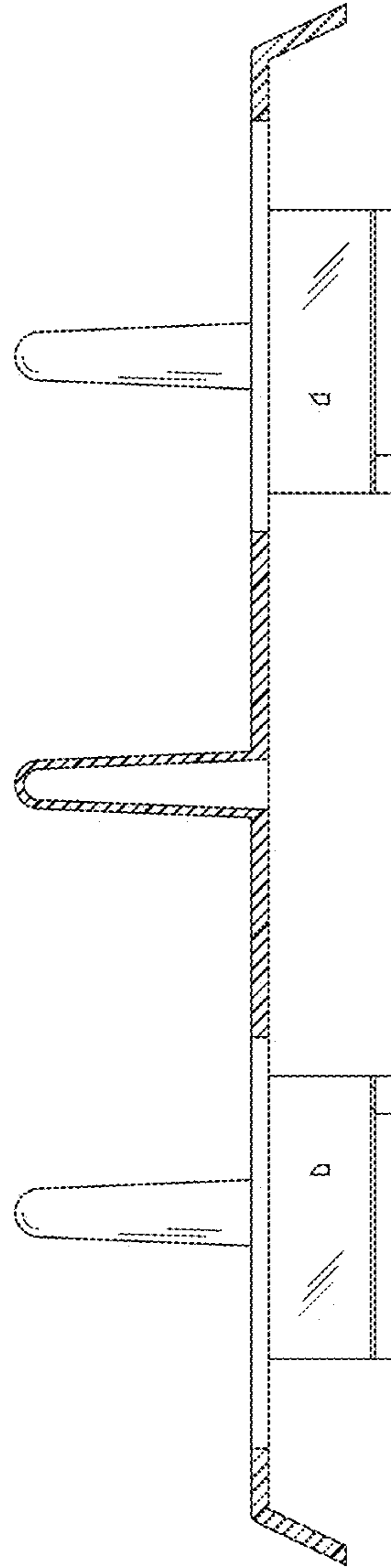


FIG. 11

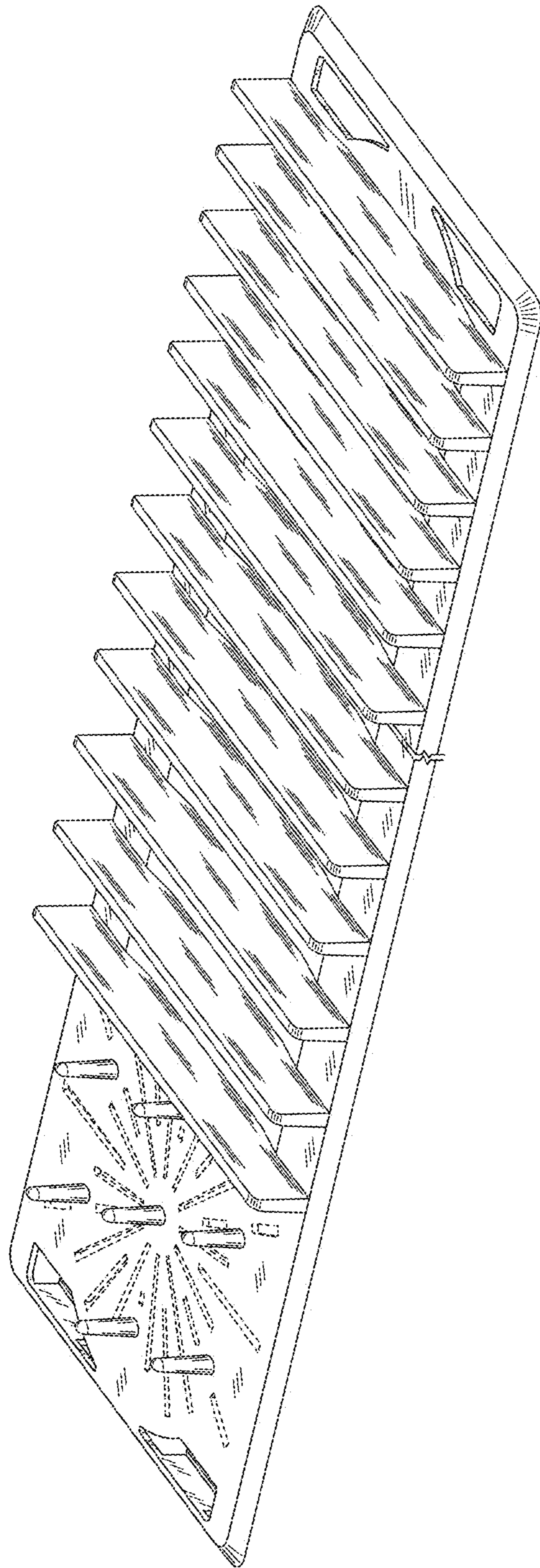


FIG. 12

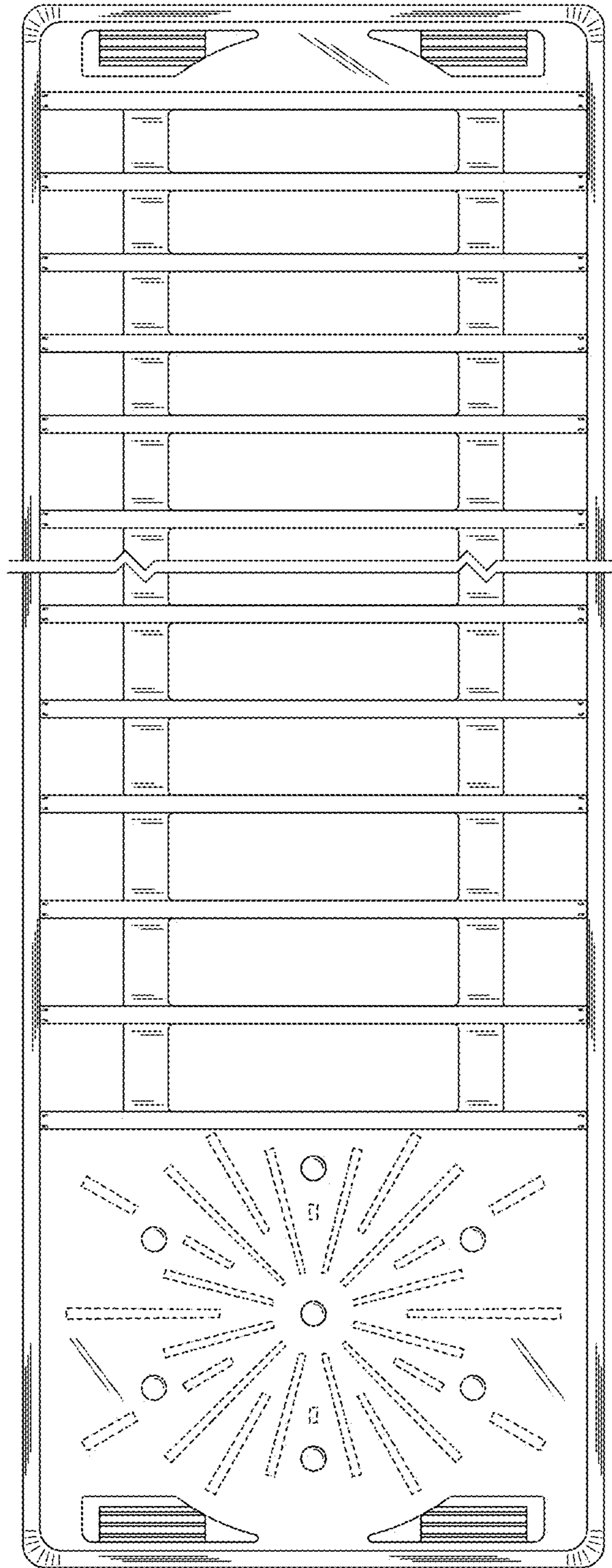


FIG. 13

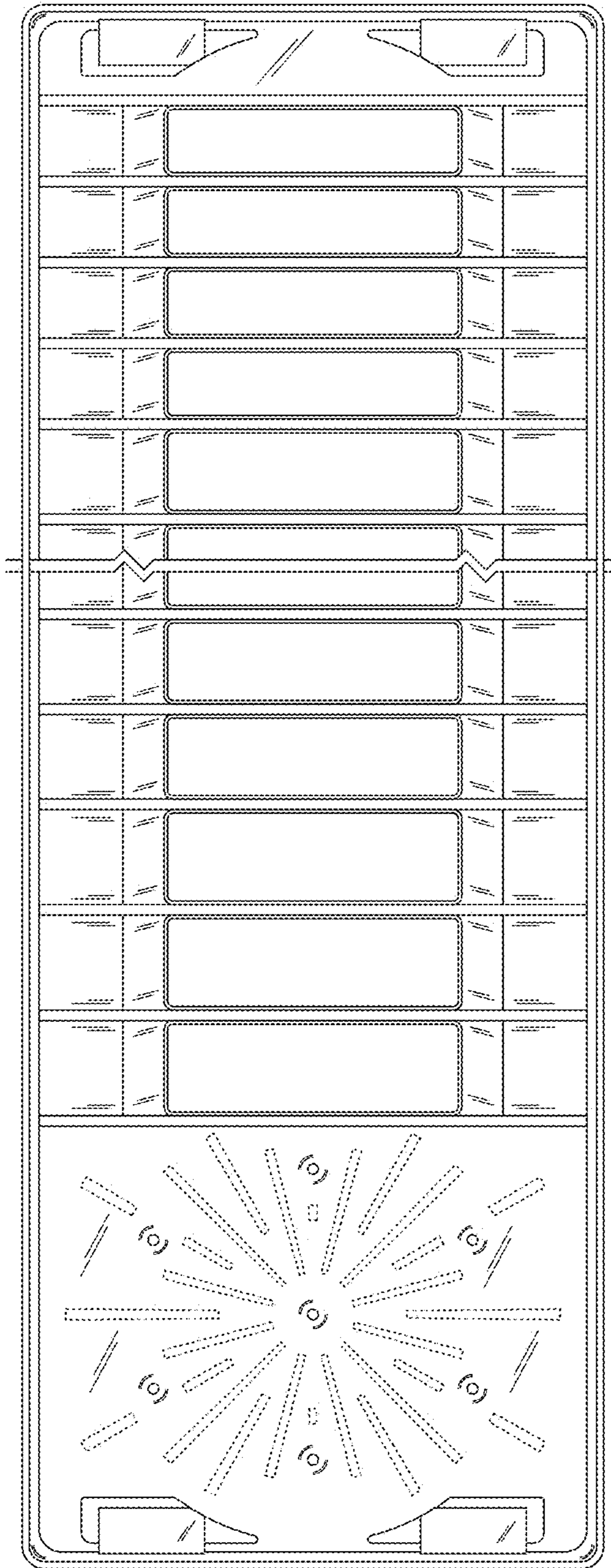


FIG. 14