



US00D952278S

(12) **United States Design Patent** (10) **Patent No.:** **US D952,278 S**  
**Brugora** (45) **Date of Patent:** **\*\* May 17, 2022**

(54) **MOP**  
(71) Applicant: **Carl Freudenberg KG**, Weinheim (DE)  
(72) Inventor: **Alessandro Brugora**, Cernusco sul Naviglio (IT)  
(73) Assignee: **CARL FREUDENBERG KG**, Weinheim (DE)

D694,484 S \* 11/2013 Angel ..... D32/51  
D704,910 S \* 5/2014 Hughes ..... D32/40  
D743,134 S \* 11/2015 Patterson ..... D32/50  
D766,528 S \* 9/2016 Choi ..... D32/50  
D806,969 S \* 1/2018 Larouche ..... D32/33  
10,433,701 B2 \* 10/2019 Correll ..... A47L 13/256  
D912,357 S \* 3/2021 Ross ..... D32/50  
D915,703 S \* 4/2021 Harrington ..... D32/50  
(Continued)

(\*\*) Term: **15 Years**  
(21) Appl. No.: **29/760,674**  
(22) Filed: **Dec. 3, 2020**

FOREIGN PATENT DOCUMENTS  
EM 000876073-0007 \* 3/2008  
EM 007698865-0001 \* 2/2020

(30) **Foreign Application Priority Data**  
Jun. 5, 2020 (EM) ..... 007986773  
(51) **LOC (13) Cl.** ..... **07-05**  
(52) **U.S. Cl.**  
USPC ..... **D32/50**  
(58) **Field of Classification Search**  
USPC ..... D21/526; D32/17-18, 21-22, 45, 50-52  
CPC ..... A61B 6/501; A63H 33/305  
See application file for complete search history.

OTHER PUBLICATIONS  
Berkshire website 2022, BCR Mop 3, site visited Feb. 12, 2022, [https://berkshire.com/shop/cleanroom-mops/flat-mops/bcr-mop-3/bcr-mop3-1/? . . . \\*](https://berkshire.com/shop/cleanroom-mops/flat-mops/bcr-mop-3/bcr-mop3-1/?...)  
(Continued)

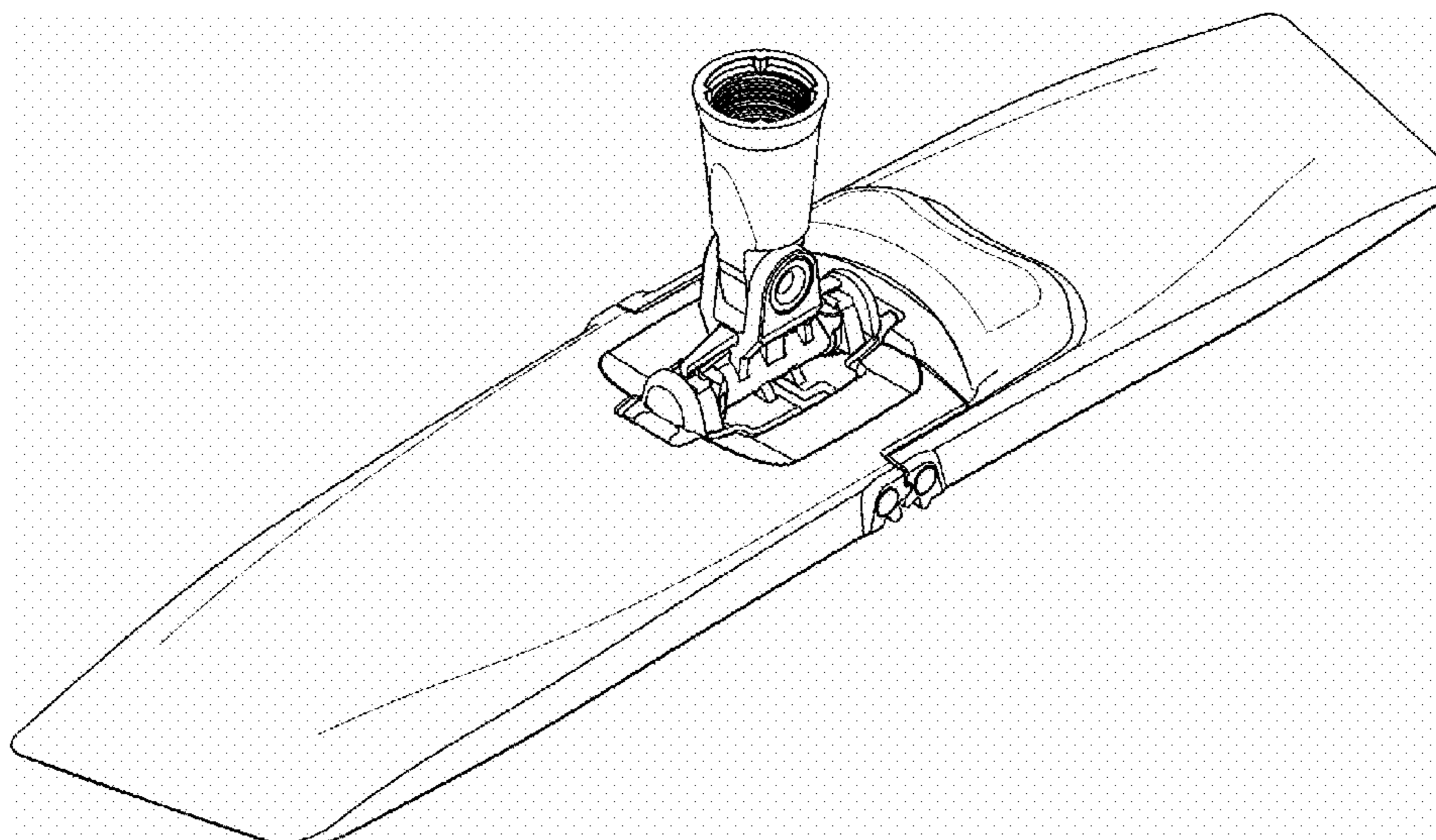
*Primary Examiner* — John R Yeh  
(74) *Attorney, Agent, or Firm* — Leydig, Voit & Mayer, Ltd.

(56) **References Cited**  
U.S. PATENT DOCUMENTS  
D284,897 S \* 7/1986 Rubio ..... D32/51  
D287,173 S \* 12/1986 Libman ..... D32/45  
D515,759 S \* 2/2006 Fischer ..... D32/45  
7,237,295 B2 \* 7/2007 Lindholm ..... A47L 13/258  
15/228  
D566,916 S \* 4/2008 Nobile ..... D32/40  
D591,019 S \* 4/2009 Perry Zang Wentz Pho .....  
D32/49  
D613,013 S \* 3/2010 Renner ..... D32/51  
D654,238 S \* 2/2012 Lee ..... D32/50  
D672,107 S \* 12/2012 Van Latingham, Jr. .... D32/50  
D673,748 S \* 1/2013 Snyder ..... D32/45  
D681,899 S \* 5/2013 Bilger ..... D32/32

(57) **CLAIM**  
The ornamental design for a mop, as shown and described.

**DESCRIPTION**  
FIG. 1 is a perspective view of a mop showing an embodiment of my new design;  
FIG. 2 is a front view thereof;  
FIG. 3 is a back view thereof;  
FIG. 4 is a left view thereof;  
FIG. 5 is a right view thereof;  
FIG. 6 is a top view thereof; and,  
FIG. 7 is a bottom view thereof.  
The broken lines illustrate portions of the mop that form no part of the claimed design.

**1 Claim, 7 Drawing Sheets**



(56)

**References Cited**

U.S. PATENT DOCUMENTS

D936,318 S \* 11/2021 Niedzwecki ..... D32/50  
2010/0064466 A1\* 3/2010 Dingert ..... A47L 13/258  
15/228  
2014/0215739 A1\* 8/2014 Lindner ..... A47L 13/256  
15/147.1  
2015/0082570 A1\* 3/2015 Davidshofer ..... A47L 13/258  
15/228

OTHER PUBLICATIONS

U.S. Appl. No. 29/760,676, filed Dec. 3, 2020.

\* cited by examiner

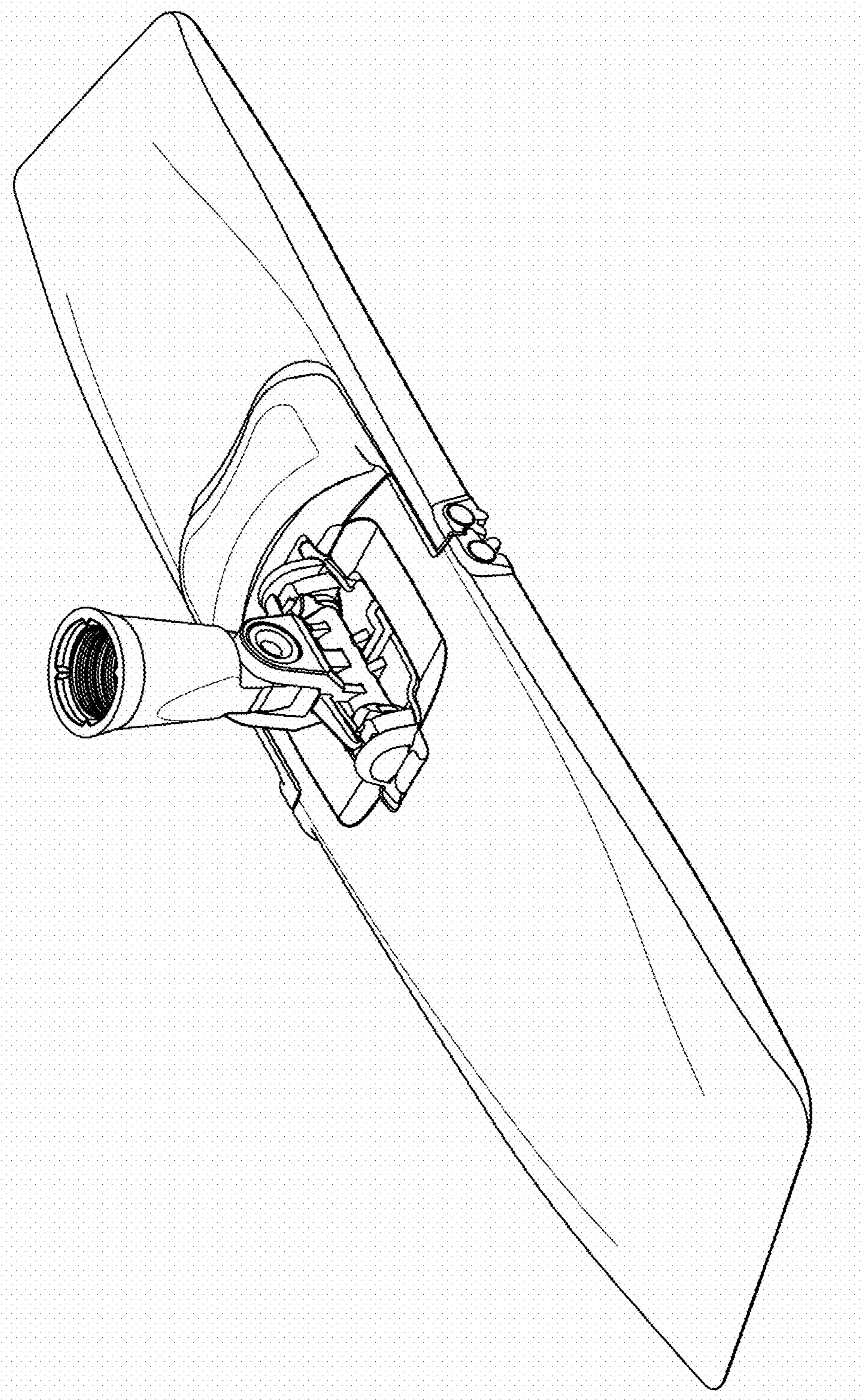


FIG. 1

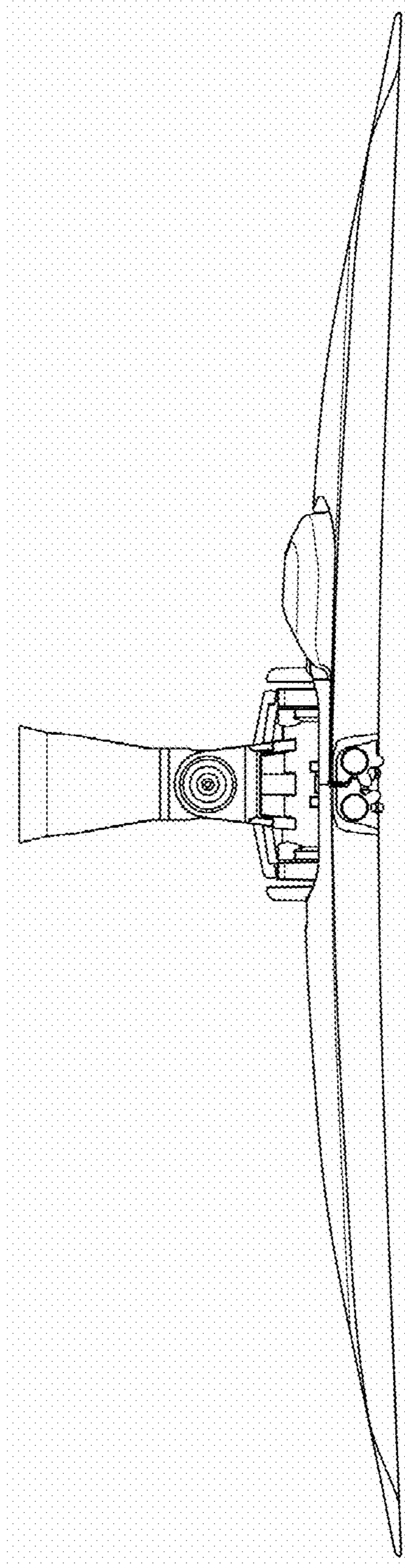


FIG. 2

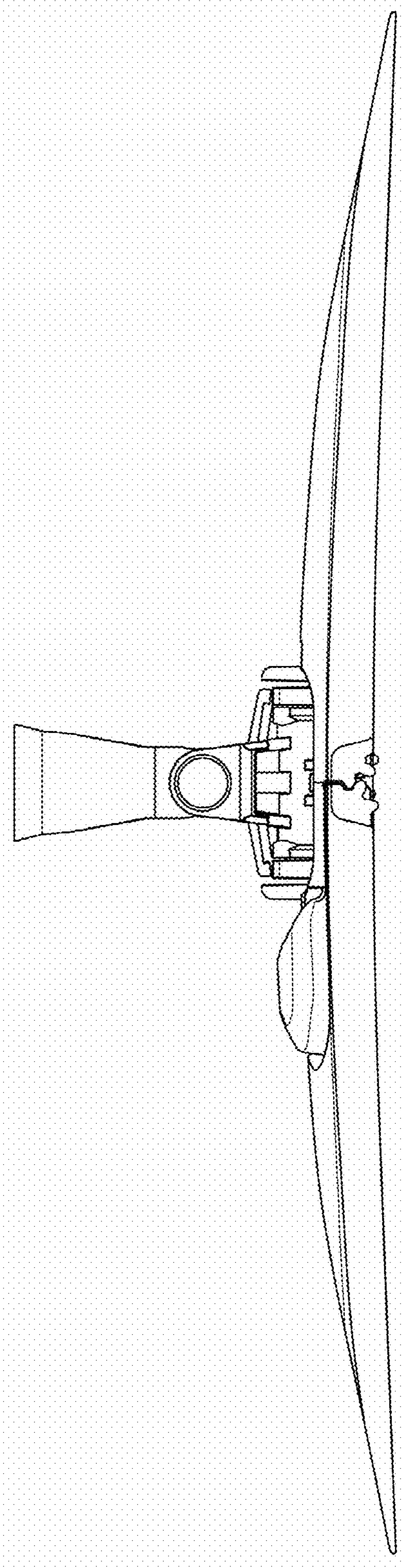


FIG. 3

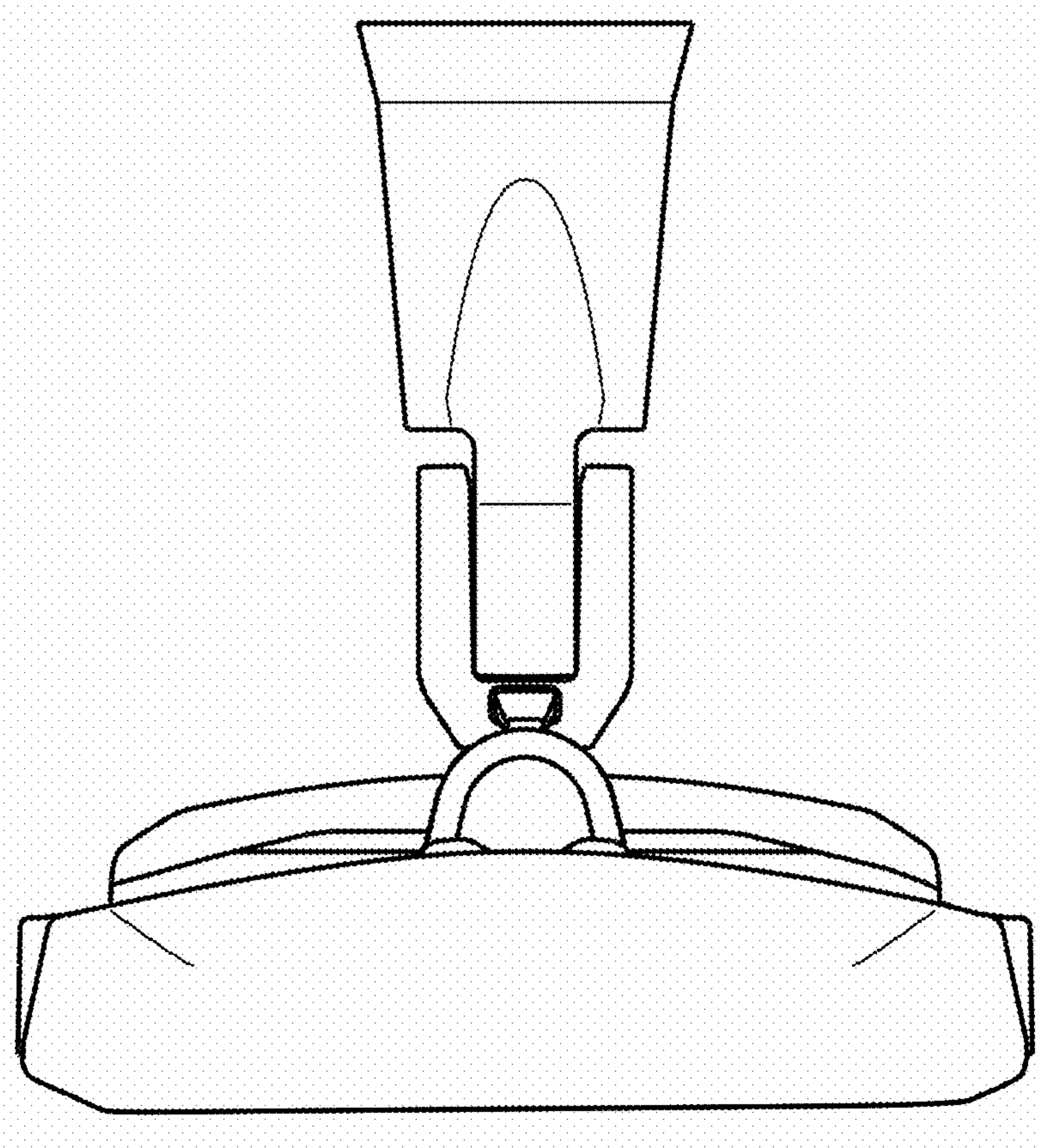


FIG. 4

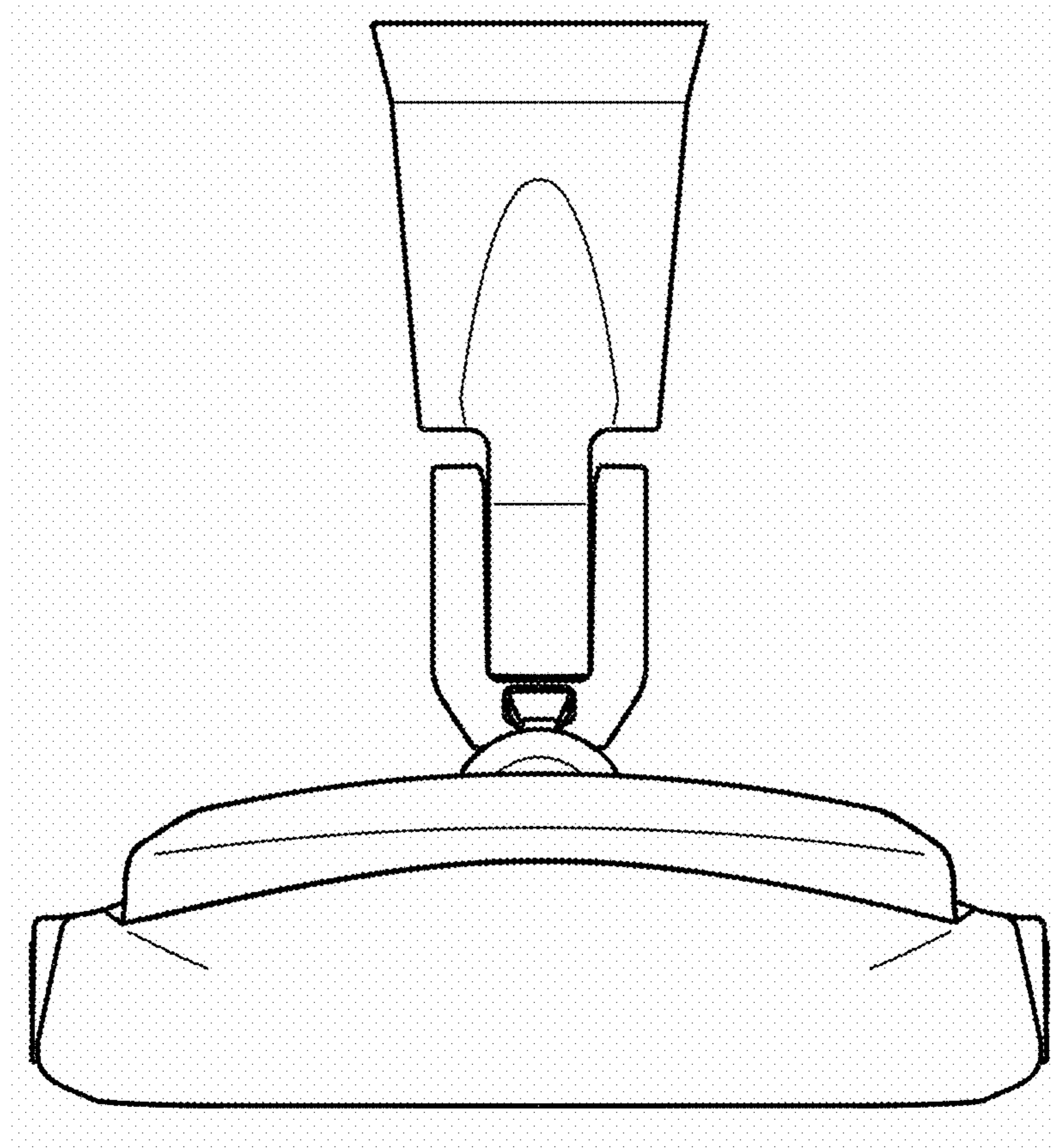


FIG. 5

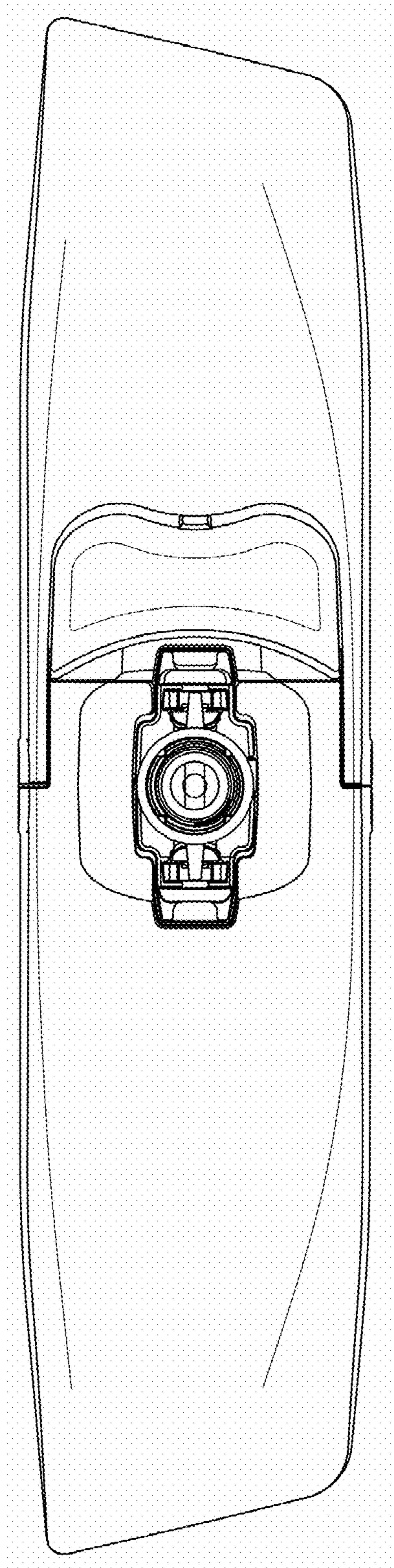


FIG. 6



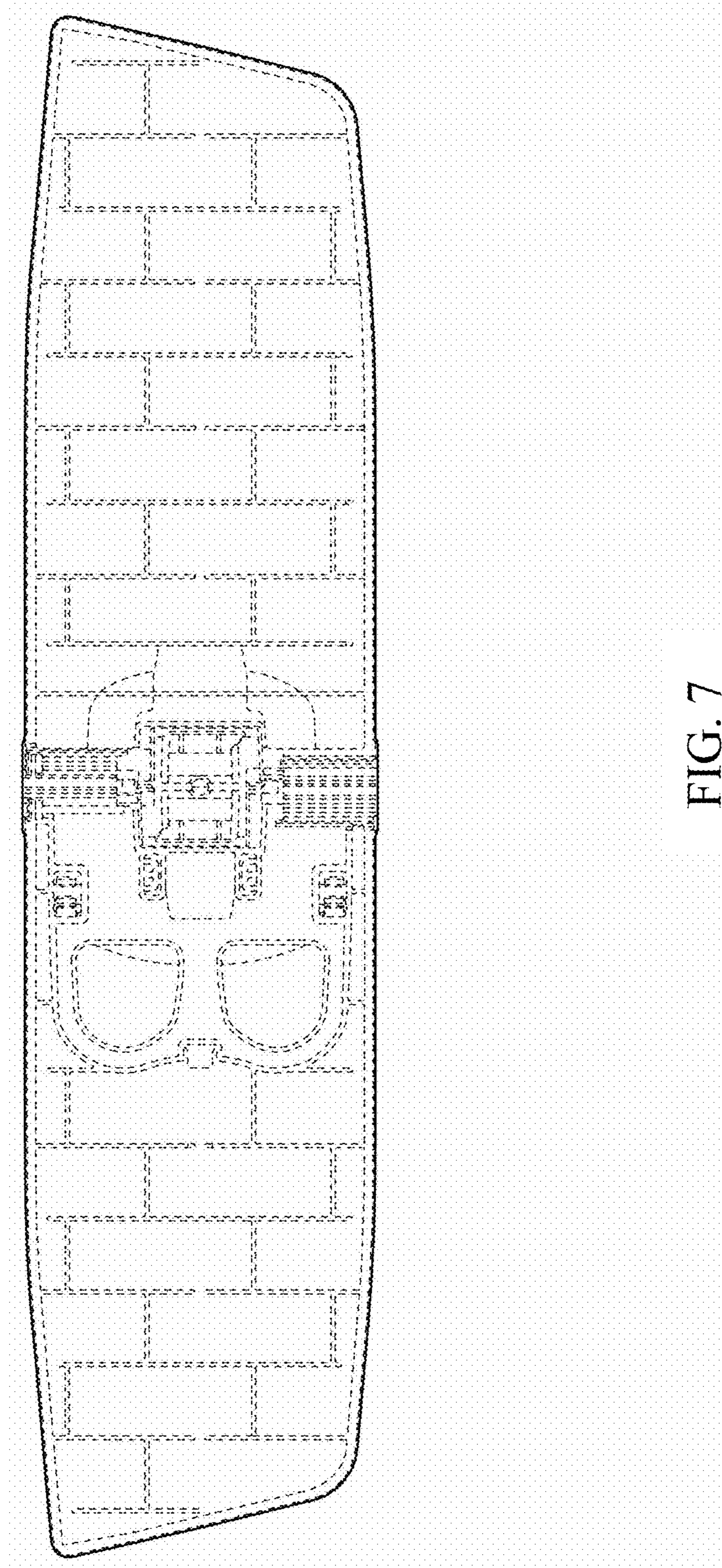


FIG. 7