



US00D952276S

(12) **United States Design Patent**  
**Choi**

(10) **Patent No.:** **US D952,276 S**  
(45) **Date of Patent:** **\*\* May 17, 2022**

(54) **PIPE FOR VACUUM CLEANER**

(71) Applicant: **SAMSUNG ELECTRONICS CO., LTD.**, Suwon-si (KR)

(72) Inventor: **Hyoungsub Choi**, Suwon-si (KR)

(73) Assignee: **SAMSUNG ELECTRONICS CO., LTD.**, Gyeonggi-Do (KR)

(\*\*) Term: **15 Years**

(21) Appl. No.: **29/725,234**

(22) Filed: **Feb. 24, 2020**

(30) **Foreign Application Priority Data**

Sep. 17, 2019 (KR) ..... 30-2019-0044588

(51) **LOC (13) Cl.** ..... **15-05**

(52) **U.S. Cl.**  
USPC ..... **D32/31**

(58) **Field of Classification Search**

USPC ... D32/14-15, 17-19, 21-23, 25, 31-35, 38,  
D32/45, 49, 51-52; D8/51, 70, 80-81,  
(Continued)

(56) **References Cited**

**U.S. PATENT DOCUMENTS**

D217,285 S \* 4/1970 Anderson ..... D32/31  
D477,445 S \* 7/2003 Schroter ..... D32/31  
(Continued)

**FOREIGN PATENT DOCUMENTS**

EM 000218961-0005 11/2004  
EM 000984463-0005 8/2008  
(Continued)

**OTHER PUBLICATIONS**

Extension Wand Accessory for RIDGID Wet/Dry Shop Vacuums,  
customer review oldest date May 14, 2014 [online], [site visited Jan.

11, 2022], Available from the internet URL: <https://www.homedepot.com/p/RIDGID-1-7-8-in-Extension-Wand-Accessory-for-RIDGID-Wet-Dry-Shop-Vacuums-VT1708/100638353?> (Year: 2014).\*

(Continued)

*Primary Examiner* — Dana K Weiland  
*Assistant Examiner* — Jennylou M Binas

(74) *Attorney, Agent, or Firm* — Cantor Colburn LLP

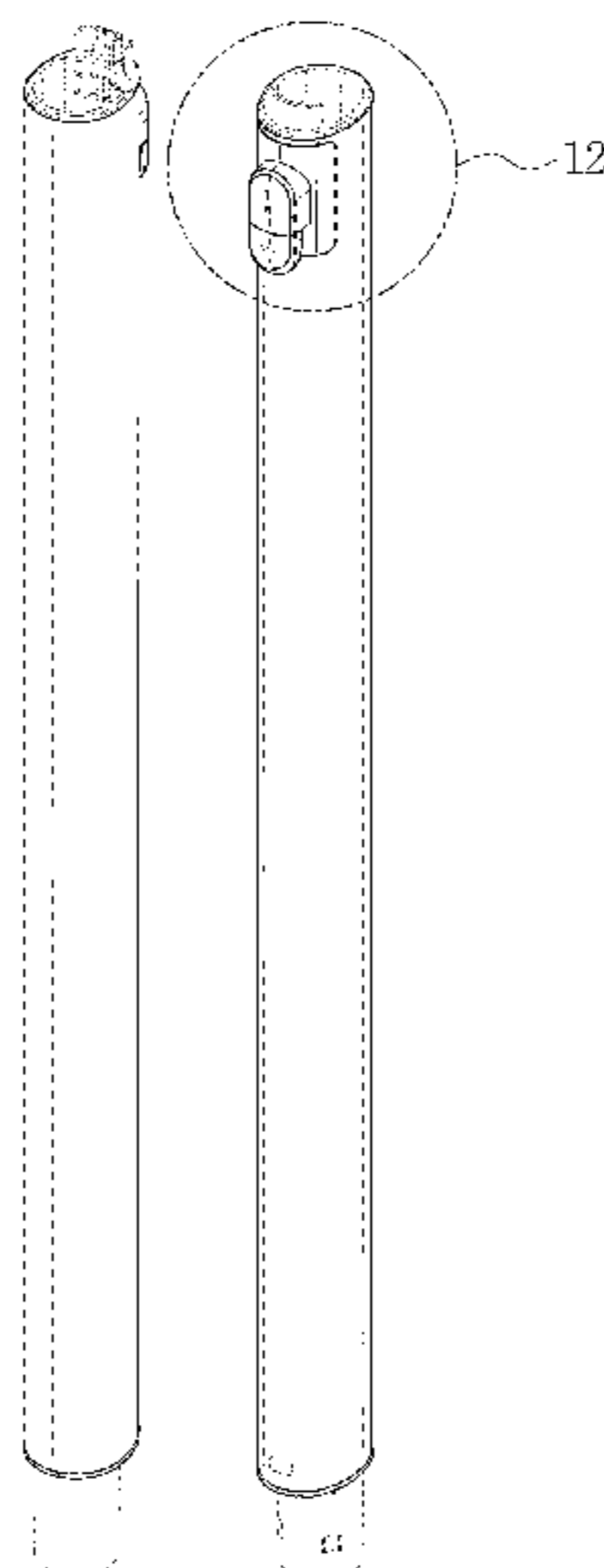
(57) **CLAIM**

The ornamental design for a pipe for vacuum cleaner, as shown and described.

**DESCRIPTION**

FIG. 1 is a front perspective view of a pipe for vacuum cleaner, showing my new design;  
FIG. 2 is a front view thereof;  
FIG. 3 is a rear view thereof;  
FIG. 4 is a left-side view thereof;  
FIG. 5 is a right-side view thereof;  
FIG. 6 is a top view thereof;  
FIG. 7 is a bottom view thereof;  
FIG. 8 is a rear perspective view thereof;  
FIG. 9 is an enlarged view of the encircled portion 9 of FIG. 4;  
FIG. 10 is an enlarged view of the encircled portion 10 of FIG. 6;  
FIG. 11 is an enlarged view of the encircled portion 11 of FIG. 7;  
FIG. 12 is an enlarged view of the encircled portion 12 of FIG. 8;  
FIG. 13 is a front perspective view of the pipe for vacuum cleaner shown in a state of use with the vacuum cleaner; and  
FIG. 14 is a rear perspective view of the pipe for vacuum cleaner shown in a state of use with the vacuum cleaner.  
The broken lines depict portions of the pipe for vacuum cleaner and environmental structure that form no part of the claimed design.  
The dot-dot-dash broken lines encircling enlargement portions of the design form no part of the claimed design.

**1 Claim, 14 Drawing Sheets**



(58) **Field of Classification Search**

USPC ..... D8/307; D9/711; D10/114.1, 114.9;  
 D21/402; D23/213, 223–224, 226, 266;  
 D24/108  
 CPC . A46B 11/063; A47L 5/28; A47L 5/34; A47L  
 5/36; A47L 5/365; A47L 9/02; A47L  
 9/127; A47L 9/24; A47L 9/242; A47L  
 9/244; A47L 9/248; A47L 9/327; A47L  
 11/30; A47L 11/40; A47L 11/4075; B08B  
 9/02; E03C 1/306; F16B 7/00; F16B  
 7/10; F16B 7/105; F16B 7/14; F16L  
 27/12

See application file for complete search history.

(56) **References Cited**

U.S. PATENT DOCUMENTS

D480,848 S	*	10/2003	Smith	.....	D32/31
D502,578 S	*	3/2005	Roschi	.....	D32/31
D642,754 S	*	8/2011	Fjellman	.....	D32/31
D647,266 S	*	10/2011	Kim	.....	D32/31
D652,188 S	*	1/2012	Escobar	.....	D32/32
D674,158 S	*	1/2013	Kim	.....	D32/31
D731,133 S	*	6/2015	Dyson	.....	D32/31
D792,670 S	*	7/2017	Lambert	.....	D32/31
D796,132 S	*	8/2017	Yoon	.....	D32/31
D798,009 S	*	9/2017	Salagnac	.....	D32/22
D800,980 S	*	10/2017	Carter	.....	D32/21
D806,967 S	*	1/2018	Lambert	.....	D32/31
D819,282 S	*	5/2018	Kim	.....	D32/22
D825,312 S	*	8/2018	Buckley	.....	B08B 1/00 D8/307
D830,017 S	*	10/2018	Nam	.....	D32/22
D838,067 S	*	1/2019	Irfan	.....	B04C 5/081 D32/22
D862,011 S	*	10/2019	Kim	.....	D32/22
D871,695 S	*	12/2019	Niedzwecki	.....	D32/22

D877,434 S	*	3/2020	Burgess	.....	D32/31
D905,360 S	*	12/2020	Ma	.....	D32/22
D912,344 S	*	3/2021	Choi	.....	D32/22
D923,268 S	*	6/2021	Reed	.....	D32/32
D932,124 S	*	9/2021	Lin	.....	D32/22
D932,719 S	*	10/2021	Liu	.....	D32/32

FOREIGN PATENT DOCUMENTS

GB	8206975000-5000	*	2/2020
IN	315764-001-0001	*	2/2020
JP	D1642124	*	9/2010
JP	D1673232	*	4/2021
KR	300979822		11/2018
KR	301011593 S		7/2019
KR	301030264.0000	*	11/2019
KR	301062614.0000	*	6/2020
WO	DM055245		2/2001
WO	D206975-005	*	8/2020

OTHER PUBLICATIONS

Dyson 965663-05 Replacement Extension Wand Tub, available in Amazon.ca, date first available Dec. 29, 2015 [online], [site visited Jan. 11, 2022], Available from the internet URL: [https://www.amazon.ca/Dyson-965663-05-Replacement-Extension-Cordless/dp/B019CDQB30/ref=pd\\_sbs\\_15/146-7657293-4080329?](https://www.amazon.ca/Dyson-965663-05-Replacement-Extension-Cordless/dp/B019CDQB30/ref=pd_sbs_15/146-7657293-4080329?) (Year: 2015).\*

Samsung Jet 70 Pet Stick Cordless Lightweight Vacuum Cleaner, available in Amazon.ca, date first available May 4, 2020 [online], [site visited Jan. 11, 2022], Available from the internet URL: [https://www.amazon.ca/Samsung-Pet-Cordless-Vacuum-Airborne/dp/B087V7H2QJ/ref=sr\\_1\\_3?](https://www.amazon.ca/Samsung-Pet-Cordless-Vacuum-Airborne/dp/B087V7H2QJ/ref=sr_1_3?) (Year: 2020).\*

The Best Cordless Stick Vacuum, available in nytimes.com, announced Nov. 23, 2021 [online], [site visited Jan. 11, 2022], Internet URL: <https://www.nytimes.com/wirecutter/reviews/best-cordless-stick-vacuum/> (Year: 2021).\*

\* cited by examiner

FIG. 1

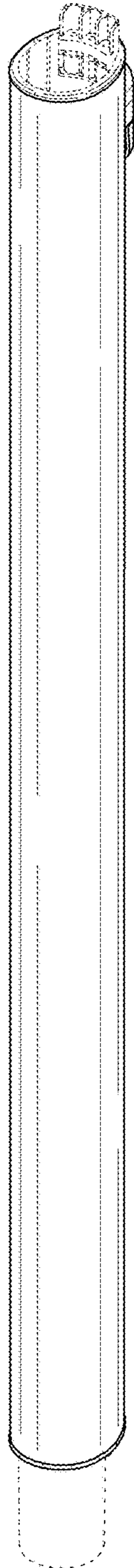


FIG. 2

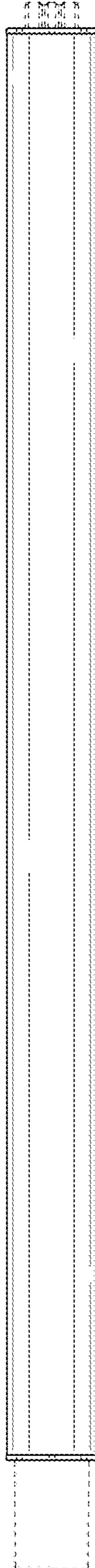


FIG. 3

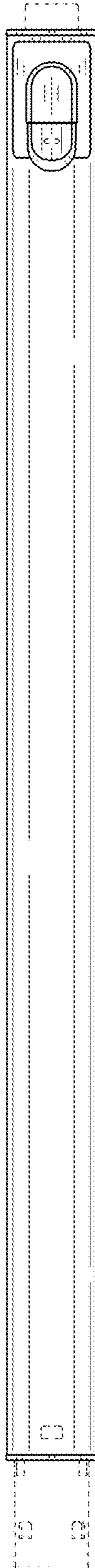


FIG. 4

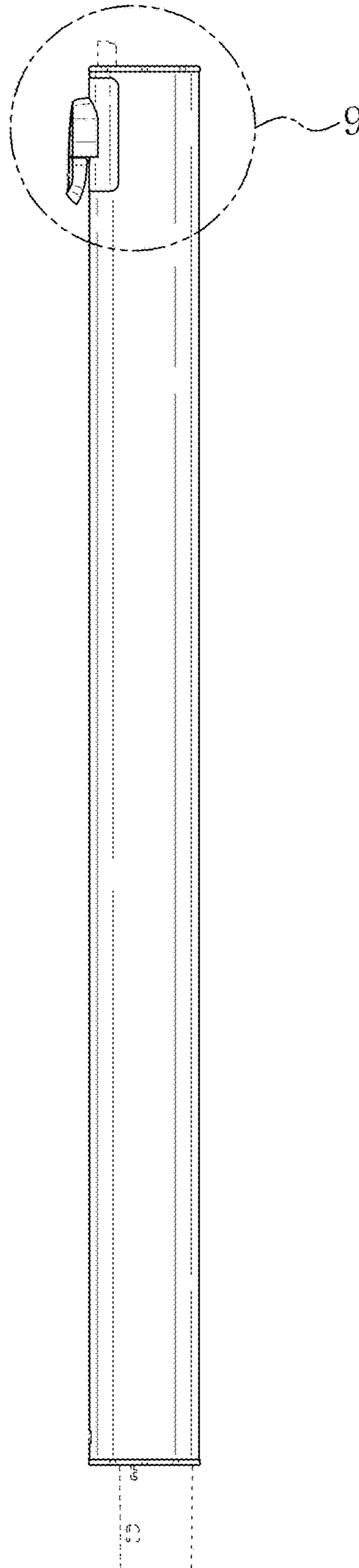


FIG. 5

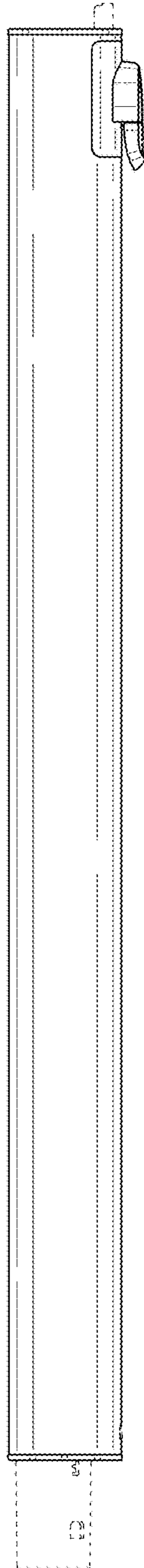


FIG. 6

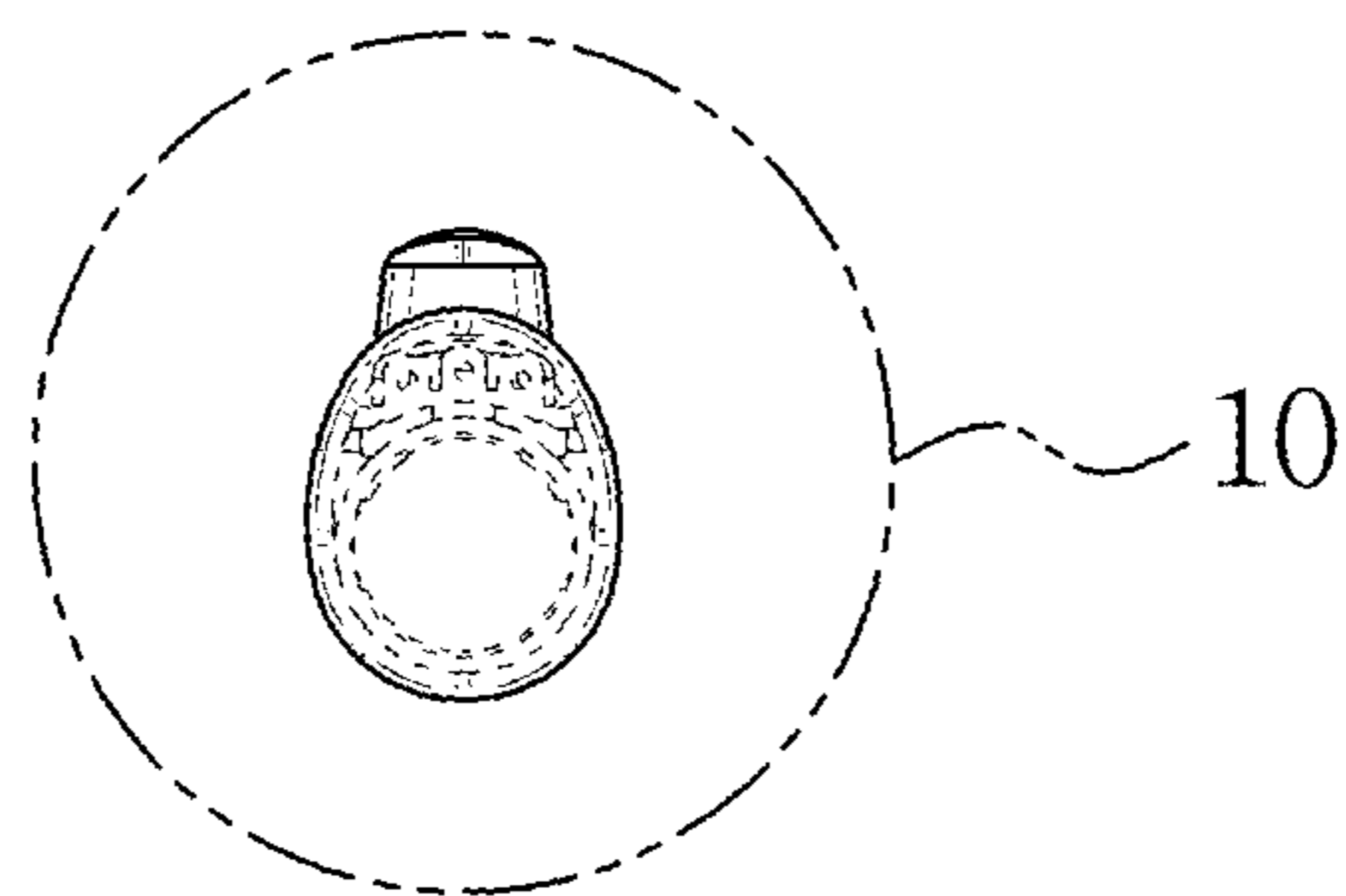




FIG. 7

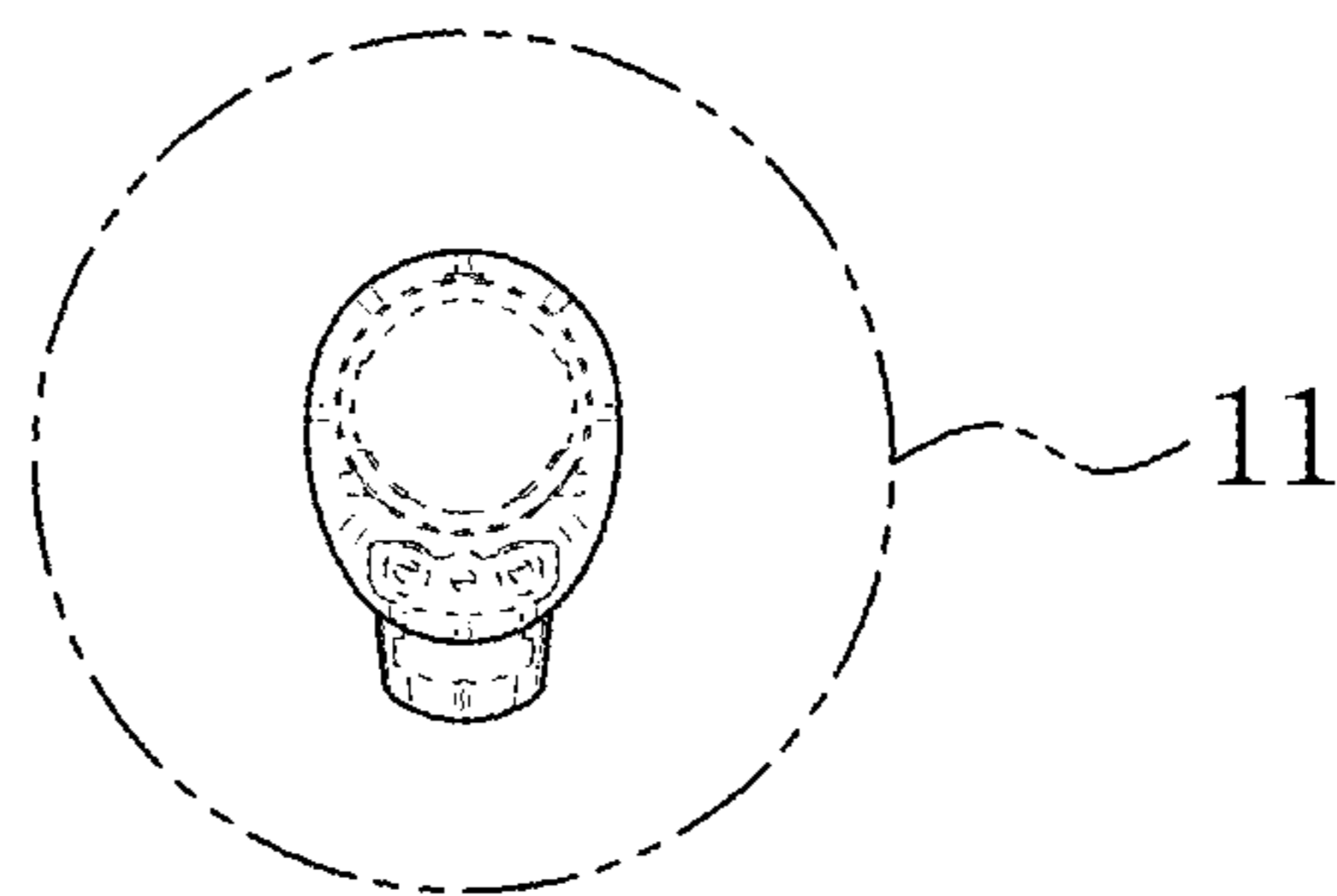


FIG. 8

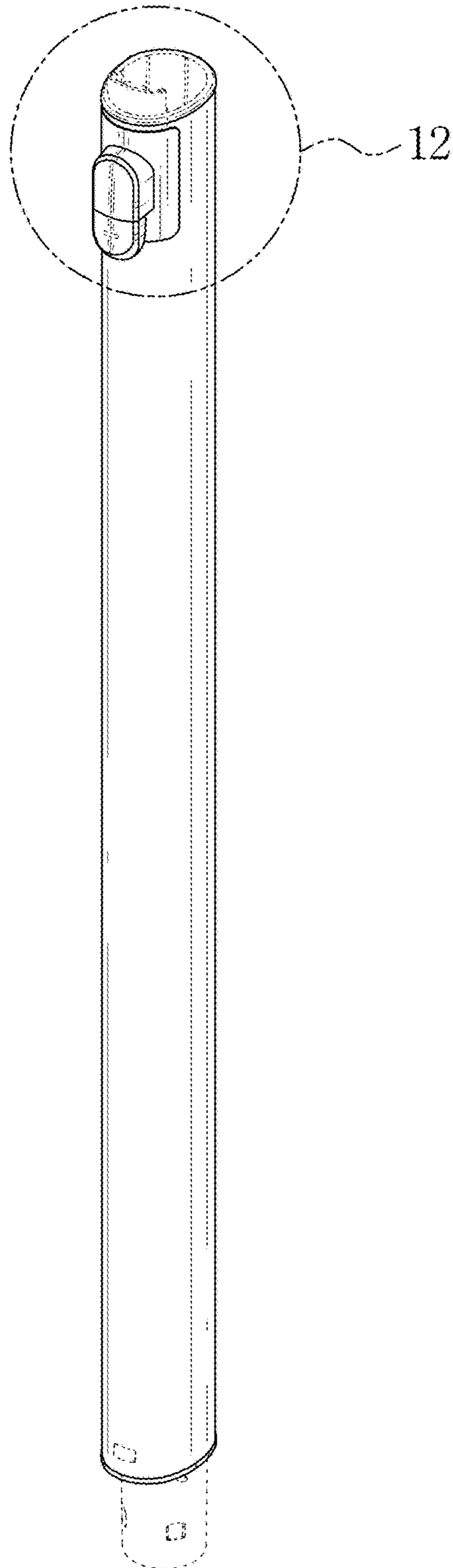


FIG. 9

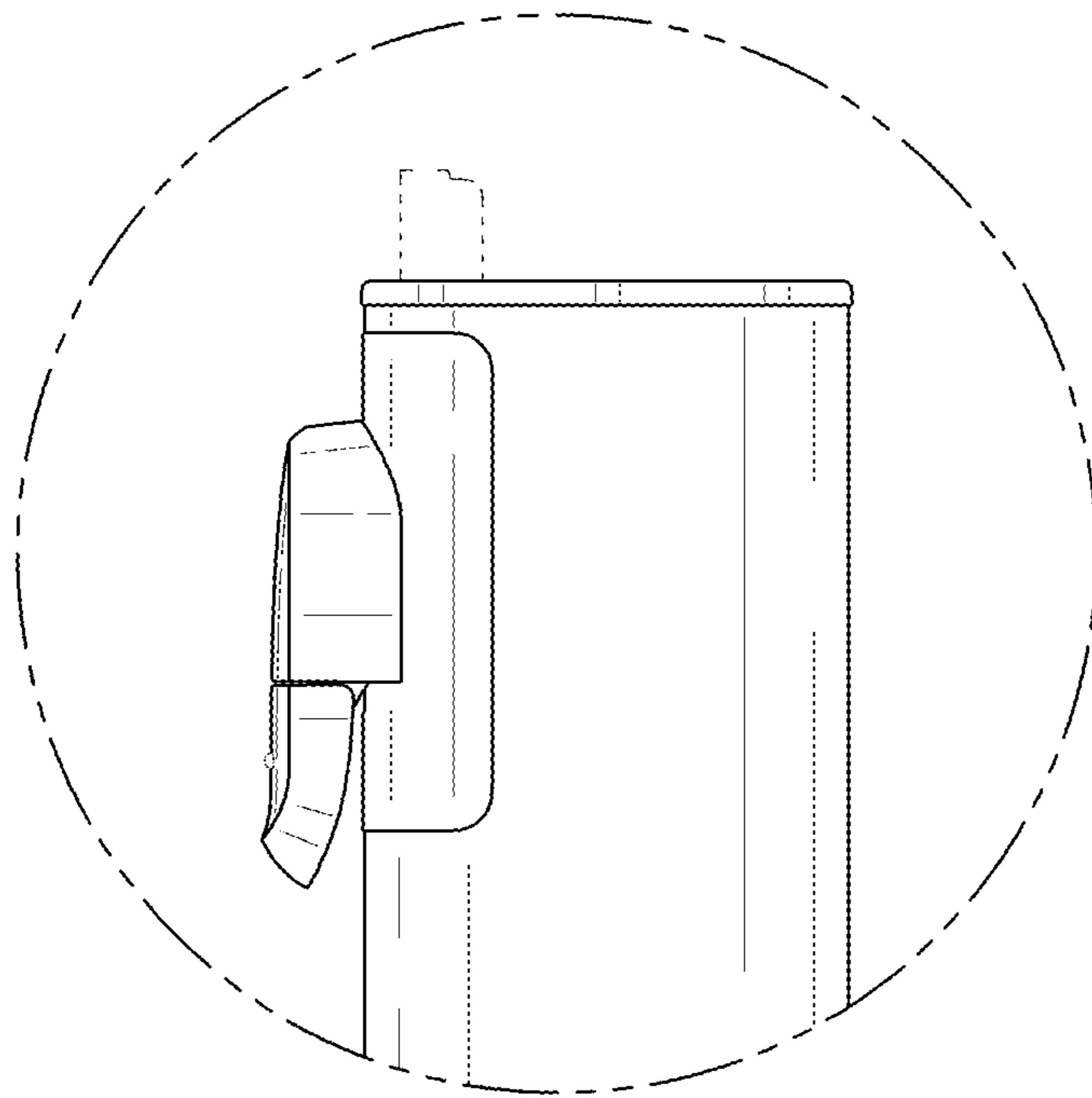


FIG. 10

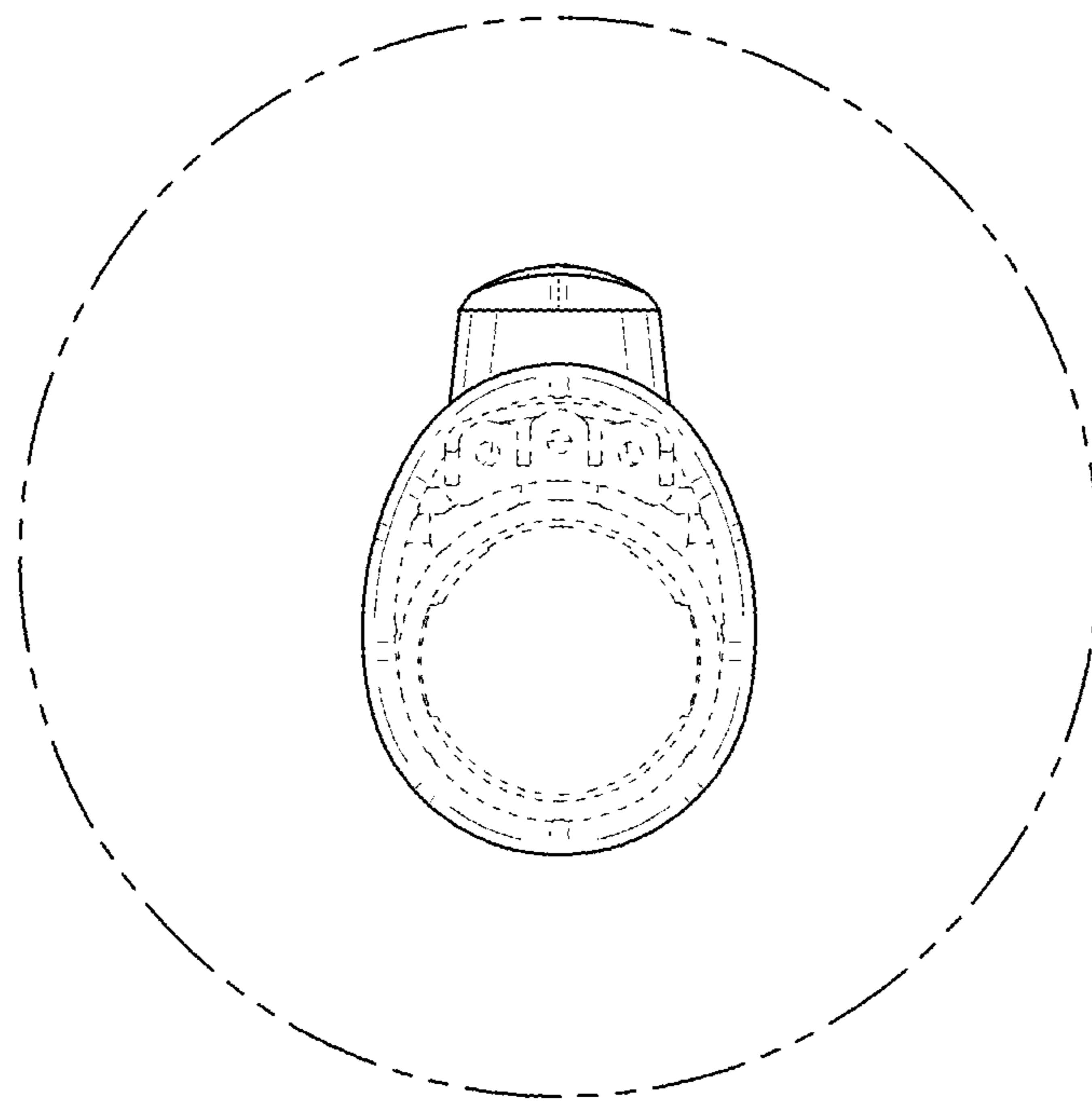


FIG. 11

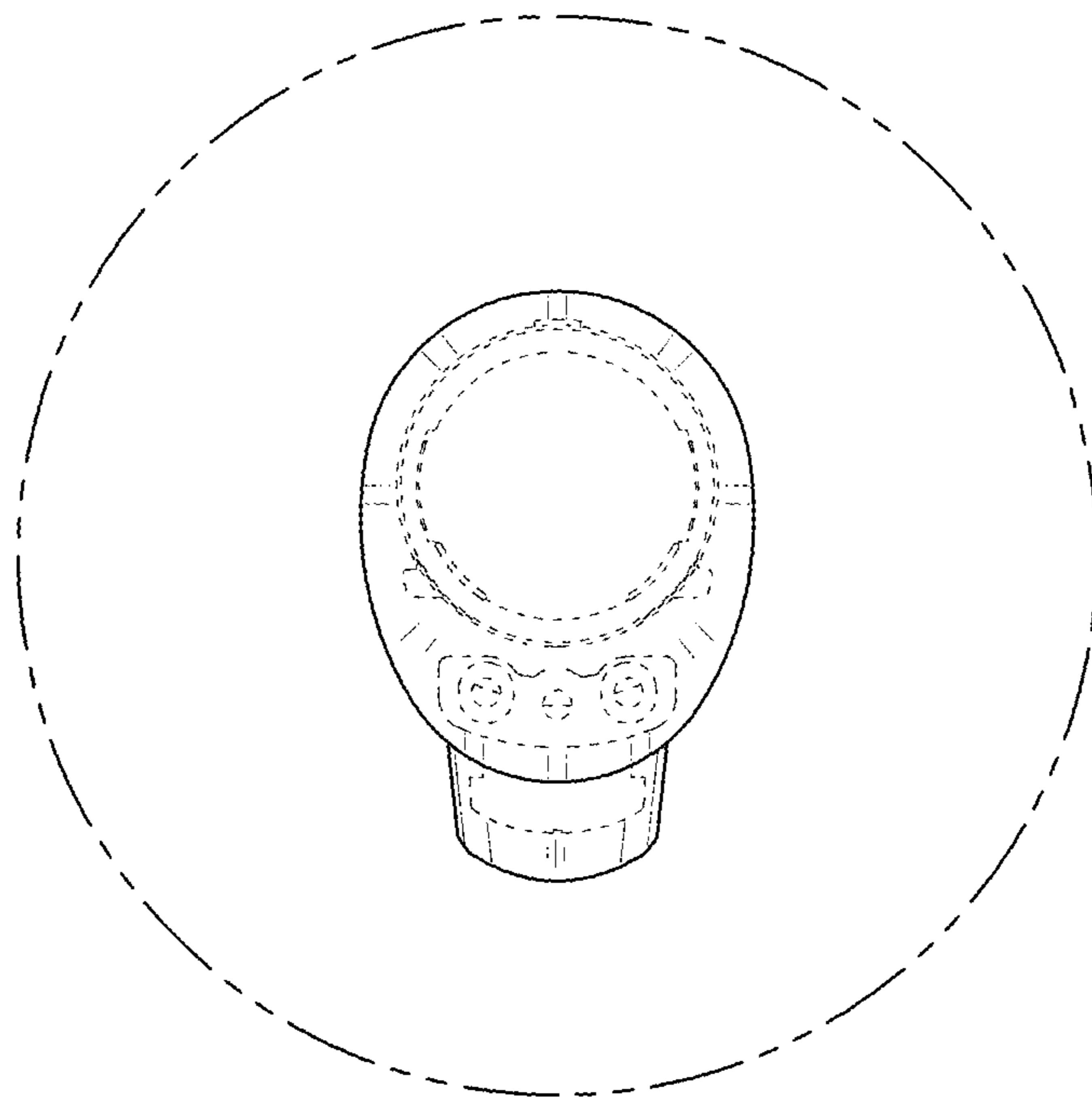


FIG. 12

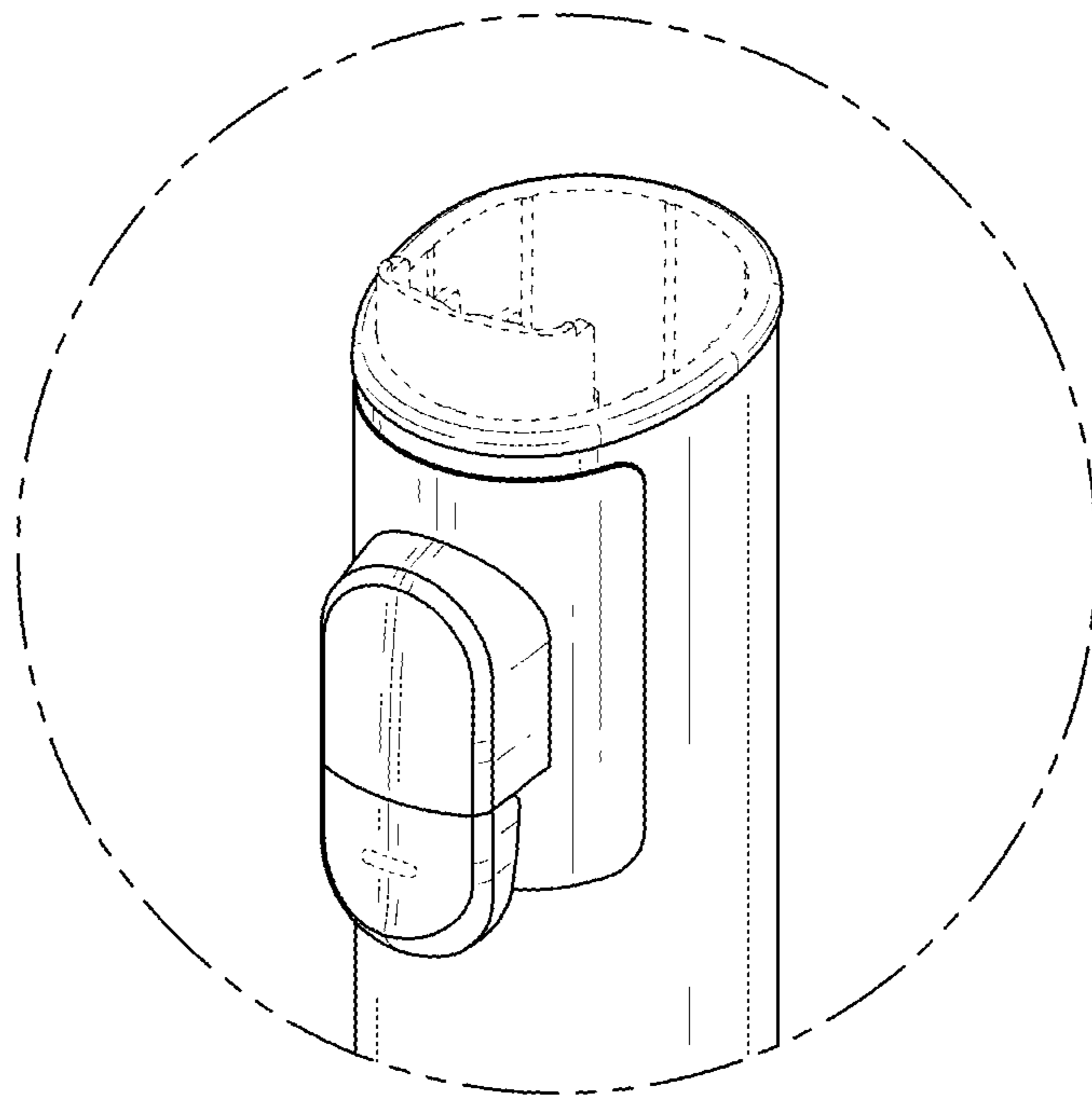


FIG. 13

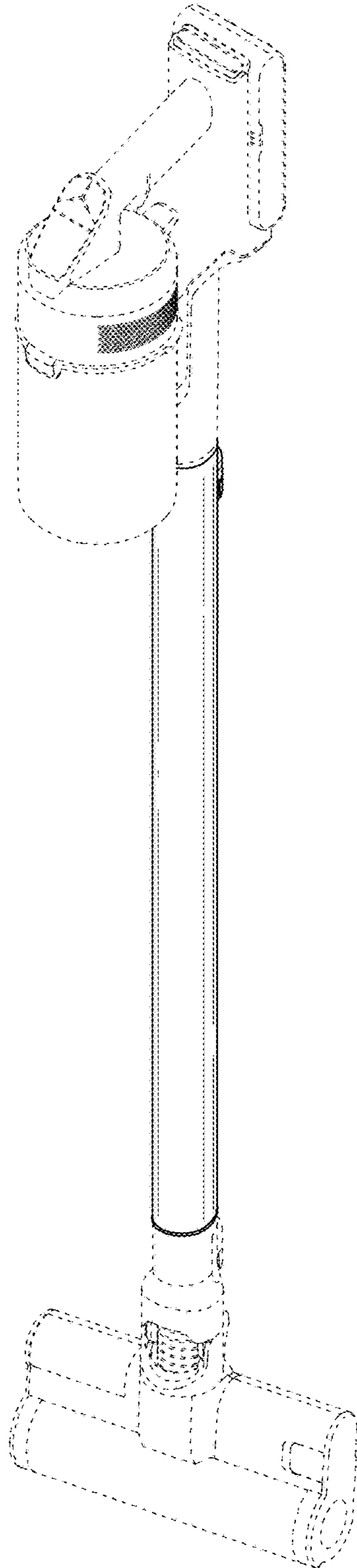


FIG. 14

