



US00D952275S

(12) **United States Design Patent**  
**Chei et al.**

(10) **Patent No.:** **US D952,275 S**

(45) **Date of Patent:** **\*\* May 17, 2022**

(54) **VACUUM CLEANER**

(71) Applicant: **SHARKNINJA OPERATING LLC**,  
Needham, MA (US)

(72) Inventors: **Junghwan Chei**, Chestnut Hill, MA  
(US); **Daniel Van Alphen**, Lexington,  
MA (US); **Scott B. Niedzwecki**,  
Walpole, MA (US); **Robert J. Bone**,  
Stoughton, MA (US)

(73) Assignee: **SHARKNINJA OPERATING LLC**,  
Needham, MA (US)

(\*\*) Term: **15 Years**

(21) Appl. No.: **29/726,019**

(22) Filed: **Feb. 28, 2020**

(51) **LOC (13) Cl.** ..... **15-05**

(52) **U.S. Cl.**  
USPC ..... **D32/22**

(58) **Field of Classification Search**  
USPC ..... D32/15, 21, 22, 24, 31, 33, 45; D21/526  
CPC ..... A46B 9/06; A47L 5/24; A47L 5/28; A47L  
5/30; A47L 5/34; A47L 7/0004; A47L  
9/04; A47L 9/325; A47L 9/1683; A47L  
11/302;

(Continued)

(56) **References Cited**

**U.S. PATENT DOCUMENTS**

D684,326 S \* 6/2013 Okabe ..... D32/22  
D739,104 S \* 9/2015 Johnson ..... D32/31

(Continued)

**FOREIGN PATENT DOCUMENTS**

CA 186070 \* 2/2021  
KR 300825101.0000 \* 11/2015

**OTHER PUBLICATIONS**

Shark LA322 Navigator Lift-Away ADV Corded Upright Vacuum,  
available in Amazon.com, date first available Aug. 12, 2020 [online],

[site visited Jul. 26, 2021], Available from the internet URL:  
[https://www.amazon.ca/dp/B08FN2KD3B/ref=emc\\_b\\_5\\_t](https://www.amazon.ca/dp/B08FN2KD3B/ref=emc_b_5_t) (Year:  
2020).\*

(Continued)

*Primary Examiner* — Dana K Weiland  
*Assistant Examiner* — Jennylou M Binas

(74) *Attorney, Agent, or Firm* — Grossman, Tucker,  
Perreault & Pfleger, PLLC

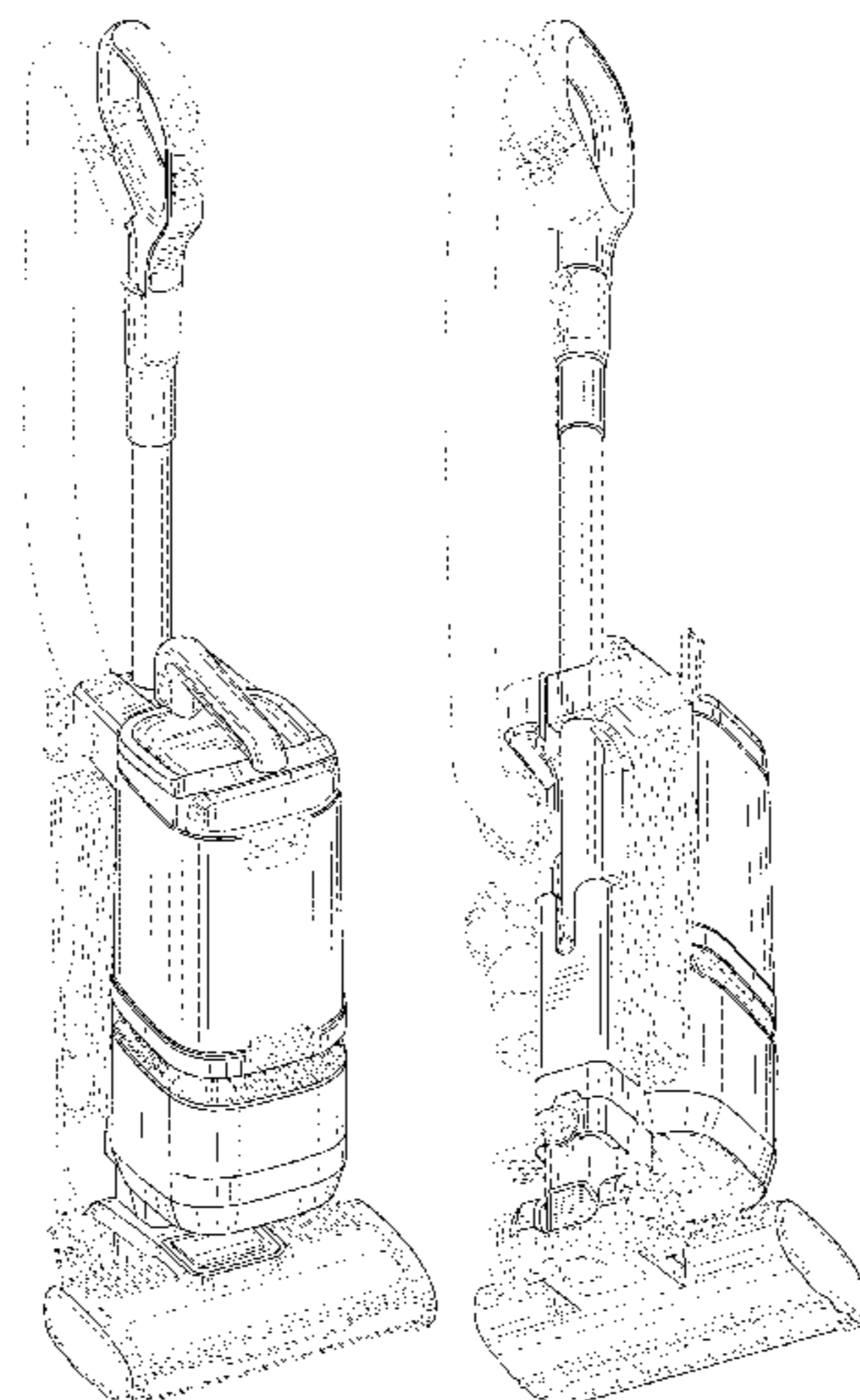
(57) **CLAIM**

The ornamental design for a vacuum cleaner, as shown and  
described.

**DESCRIPTION**

FIG. 1 is a perspective front, top, left view of a vacuum  
cleaner showing the claimed design;  
FIG. 2 is perspective front, top, right view of the vacuum  
cleaner thereof;  
FIG. 3 is a perspective front, bottom, left view of the vacuum  
cleaner thereof;  
FIG. 4 is a perspective front, bottom, right view of the  
vacuum cleaner thereof;  
FIG. 5 is a perspective rear, top, right view of the vacuum  
cleaner thereof;  
FIG. 6 is perspective rear, top, left view of the vacuum  
cleaner thereof;  
FIG. 7 is a perspective rear, bottom, left view of the vacuum  
cleaner thereof;  
FIG. 8 is a perspective rear, bottom, right view of the  
vacuum cleaner thereof;  
FIG. 9 is a front view of the vacuum cleaner thereof;  
FIG. 10 is a rear view of the vacuum cleaner thereof;  
FIG. 11 is a right view of the vacuum cleaner thereof;  
FIG. 12 is a left view of the vacuum cleaner thereof;  
FIG. 13 is a top view of the vacuum cleaner thereof; and,  
FIG. 14 is a bottom view of the vacuum cleaner thereof.  
The broken lines in the drawings depict portions of the  
vacuum cleaner that form no part of the claimed design.

**1 Claim, 13 Drawing Sheets**



(58) **Field of Classification Search**

CPC .. A47L 11/34; A47L 11/4005; A47L 11/4008;  
 A47L 11/4016; A47L 11/4041; A47L  
 11/4044; A47L 11/4088; A47L 13/225;  
 B04C 5/185; B08B 3/04; B23Q 11/0046;  
 B23Q 11/0071; E04H 4/1636

See application file for complete search history.

(56) **References Cited**

U.S. PATENT DOCUMENTS

D739,620 S \* 9/2015 Johnson ..... D32/22  
 D769,557 S \* 10/2016 Johnson ..... D32/22  
 D770,106 S \* 10/2016 Johnson ..... D32/22  
 D784,636 S \* 4/2017 Canas ..... D32/22  
 D785,258 S \* 4/2017 Canas ..... D32/31  
 D792,669 S \* 7/2017 Johnson ..... D32/31  
 D794,880 S \* 8/2017 Zhou ..... D32/22  
 D804,120 S \* 11/2017 Bond ..... D32/31  
 D804,751 S \* 12/2017 Johnson ..... D32/22  
 D838,068 S \* 1/2019 Bond ..... D32/31  
 D844,267 S \* 3/2019 Zhou ..... D32/22  
 D874,762 S \* 2/2020 Tang ..... D32/22  
 D882,195 S \* 4/2020 Palladino ..... D32/31

D887,656 S \* 6/2020 Chei ..... D32/22  
 D887,657 S \* 6/2020 Palladino ..... D32/22  
 D891,015 S \* 7/2020 Palladino ..... D32/31  
 D924,509 S \* 7/2021 Niedzwecki ..... D32/22  
 D926,401 S \* 7/2021 Knapp ..... D32/22  
 D926,405 S \* 7/2021 Haverkamp ..... D32/31  
 11,064,853 B2 \* 7/2021 Clare ..... A47L 9/0018  
 D928,432 S \* 8/2021 Knapp ..... D32/22  
 D928,433 S \* 8/2021 Knapp ..... D32/22  
 D928,435 S \* 8/2021 Knapp ..... D32/22  
 D929,053 S \* 8/2021 Dong ..... D32/22  
 D930,926 S \* 9/2021 Wroblewski ..... D32/22  
 2014/0259513 A1 \* 9/2014 Conrad ..... A47L 7/0095  
 15/320  
 2019/0174986 A1 \* 6/2019 Conrad ..... A47L 5/24

OTHER PUBLICATIONS

Shark LA502 Rotator Lift-Away ADV DuoClean PowerFins Upright Vacuum, date first available Jun. 9, 2020 [online], [site visited Jul. 26, 2021], Available from the internet URL: [https://www.amazon.ca/dp/B089TPNZQ5/ref=emc\\_b\\_5\\_t](https://www.amazon.ca/dp/B089TPNZQ5/ref=emc_b_5_t) (Year: 2020).\*

\* cited by examiner

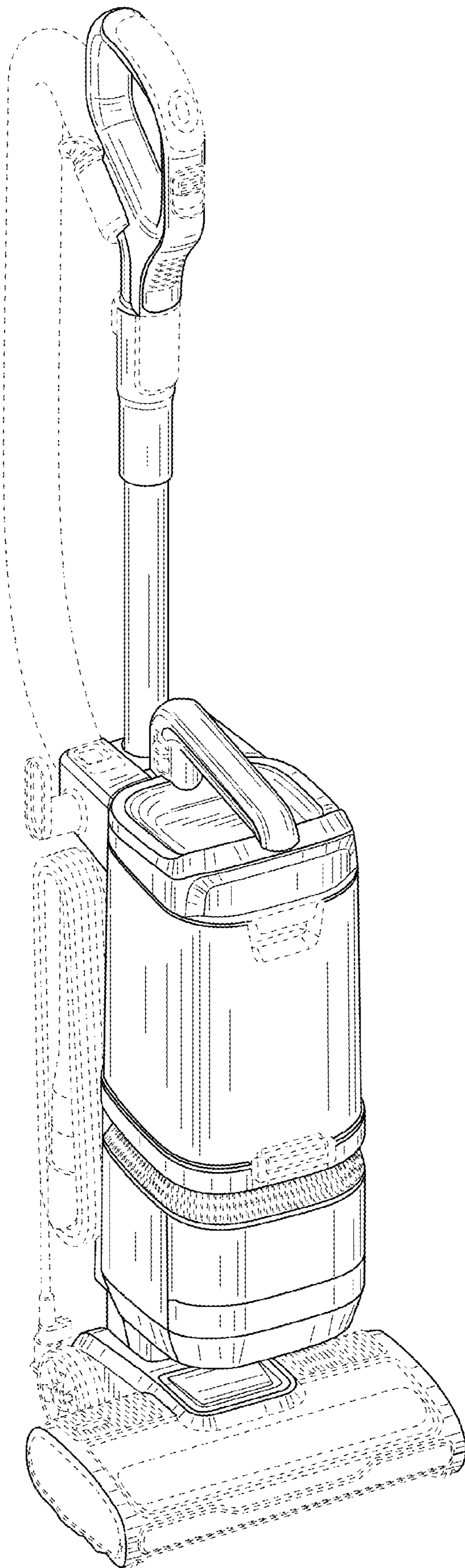


FIG. 1

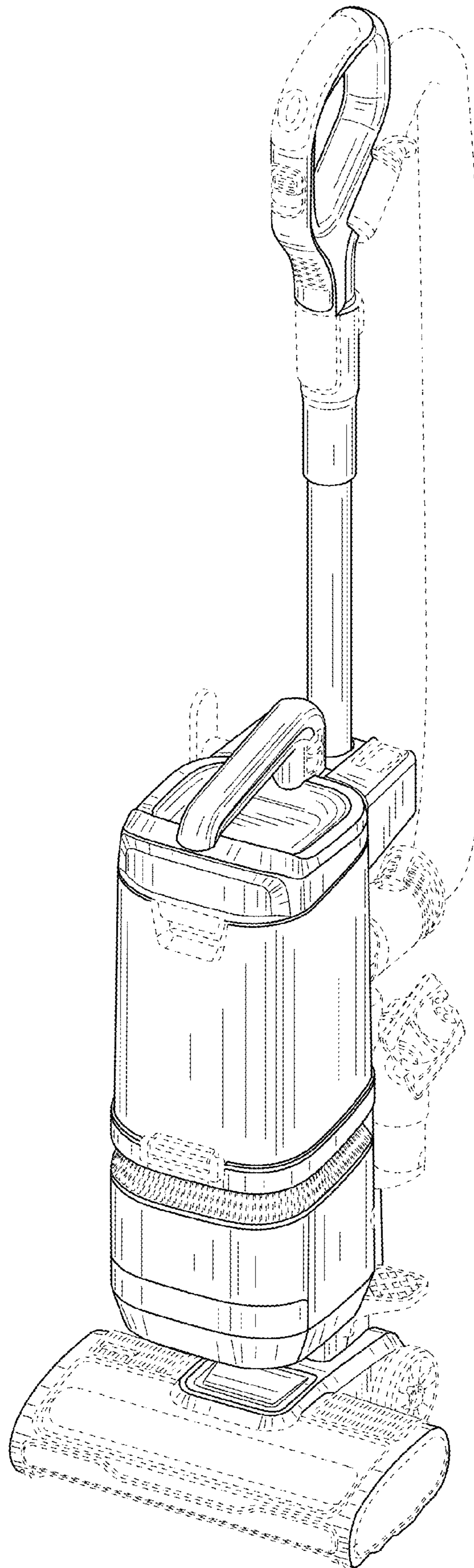


FIG. 2

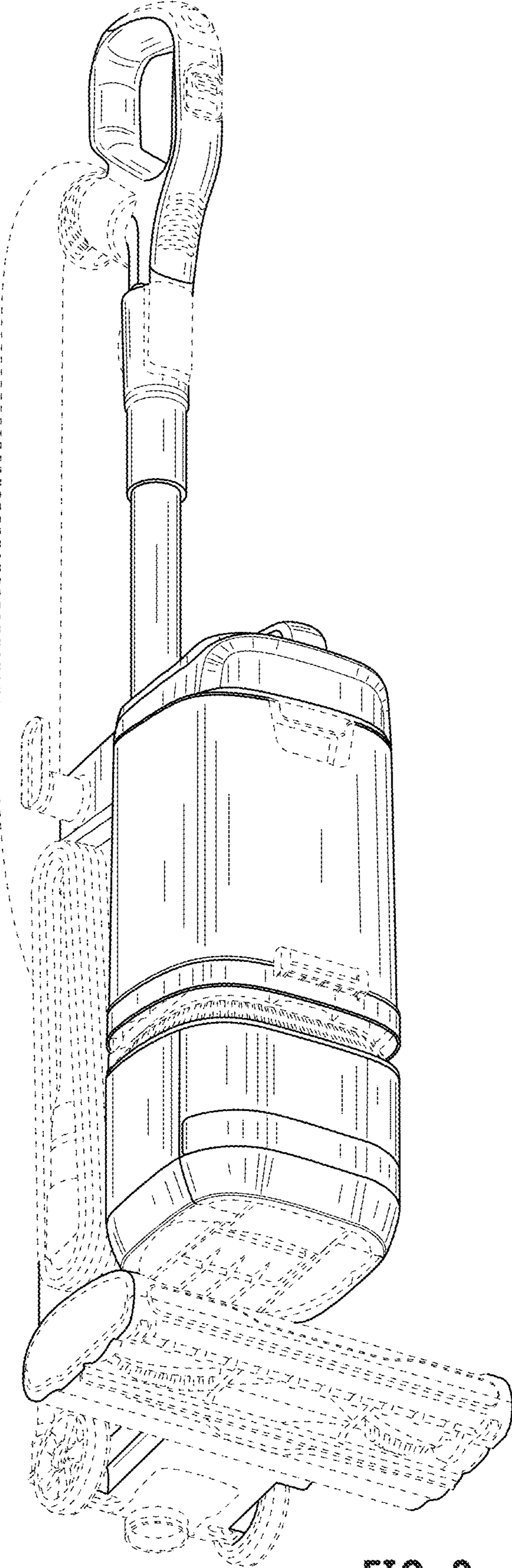


FIG. 3

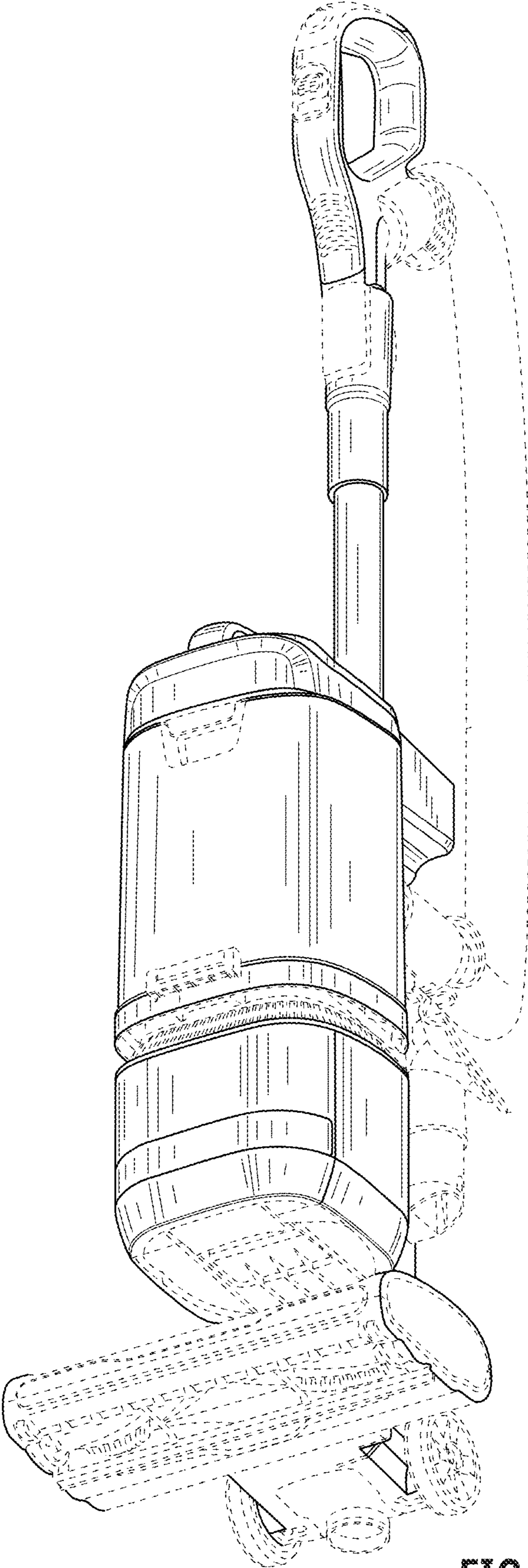


FIG. 4

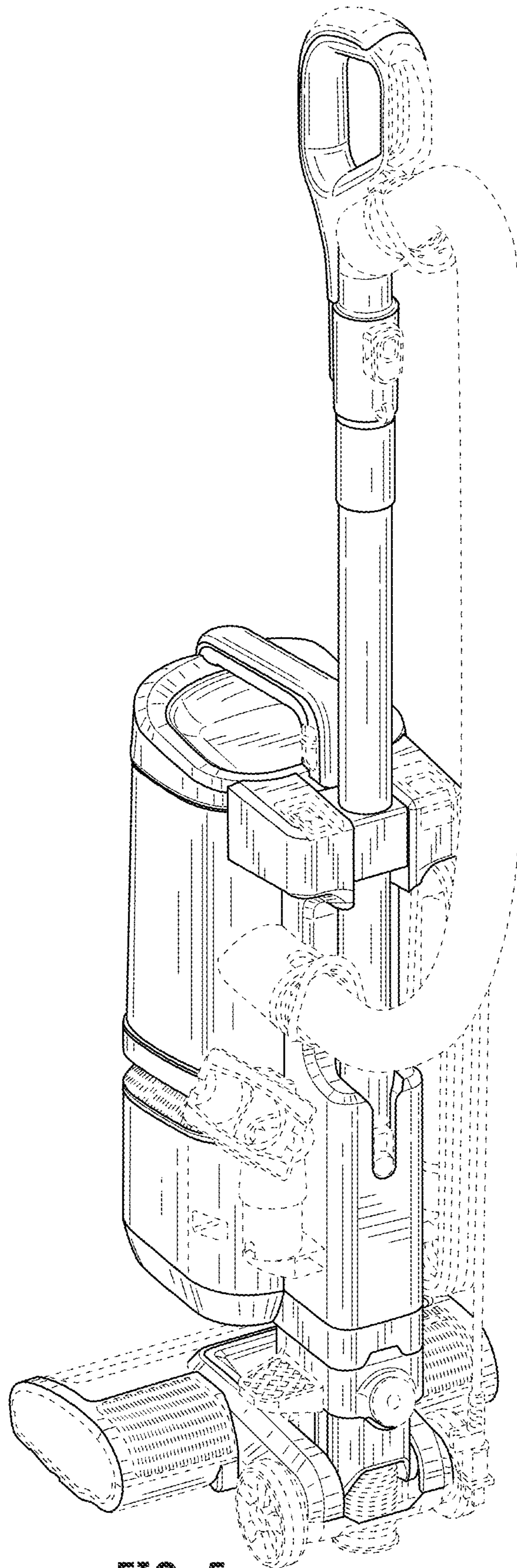


FIG. 5

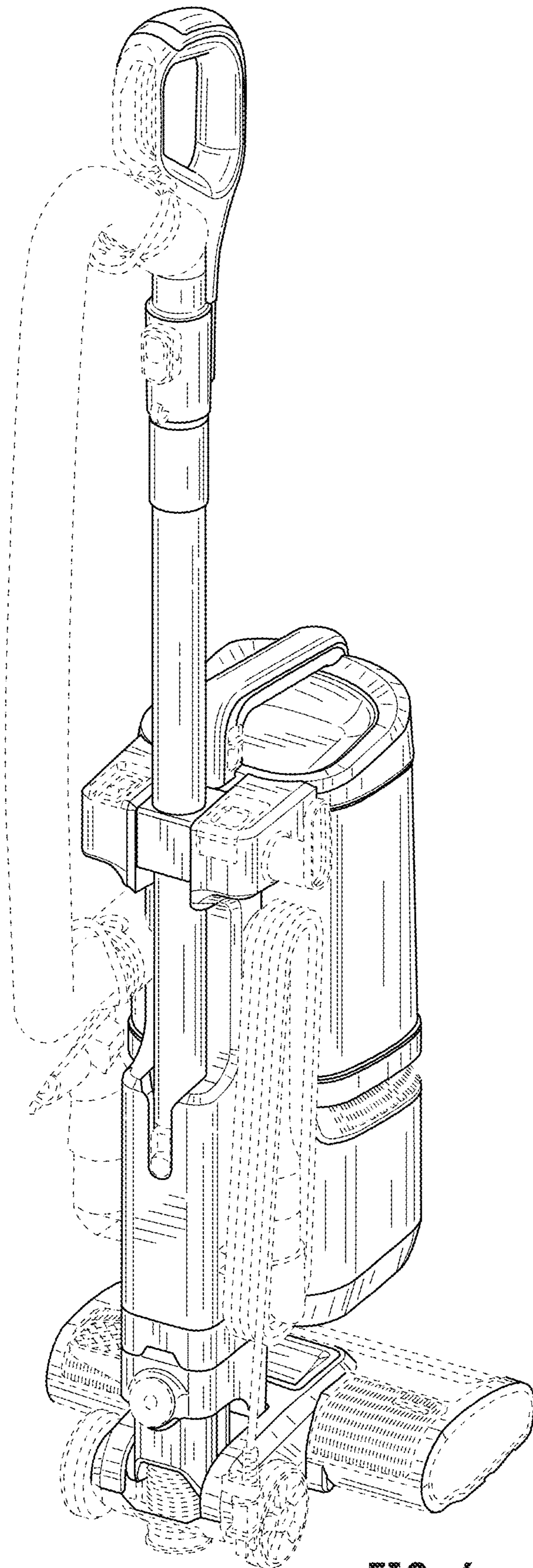


FIG. 6



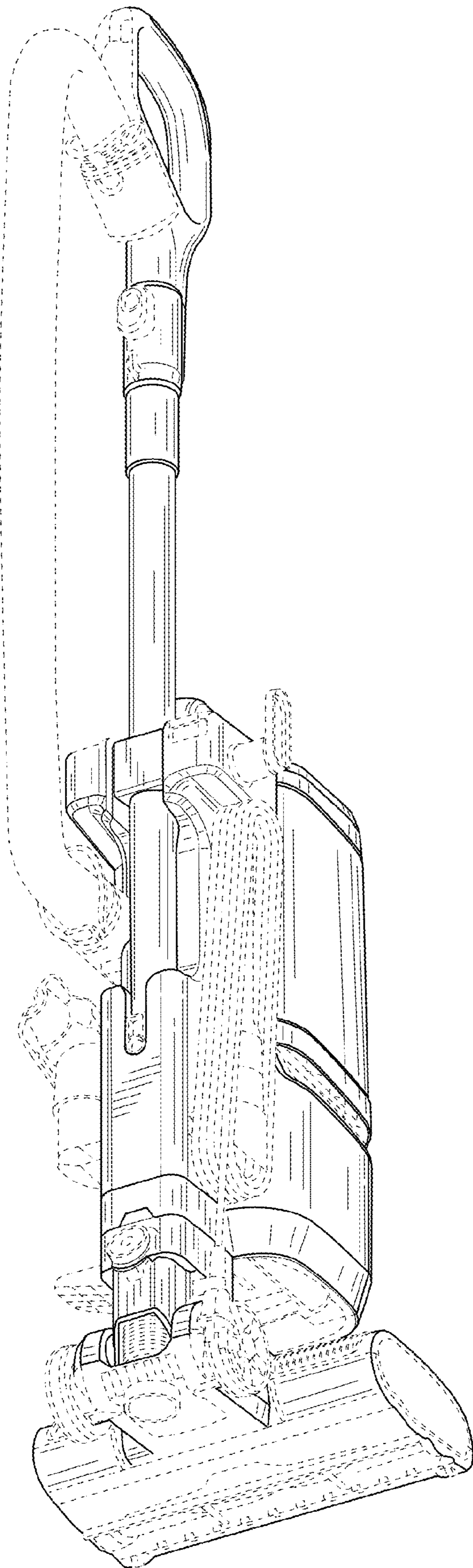


FIG. 7

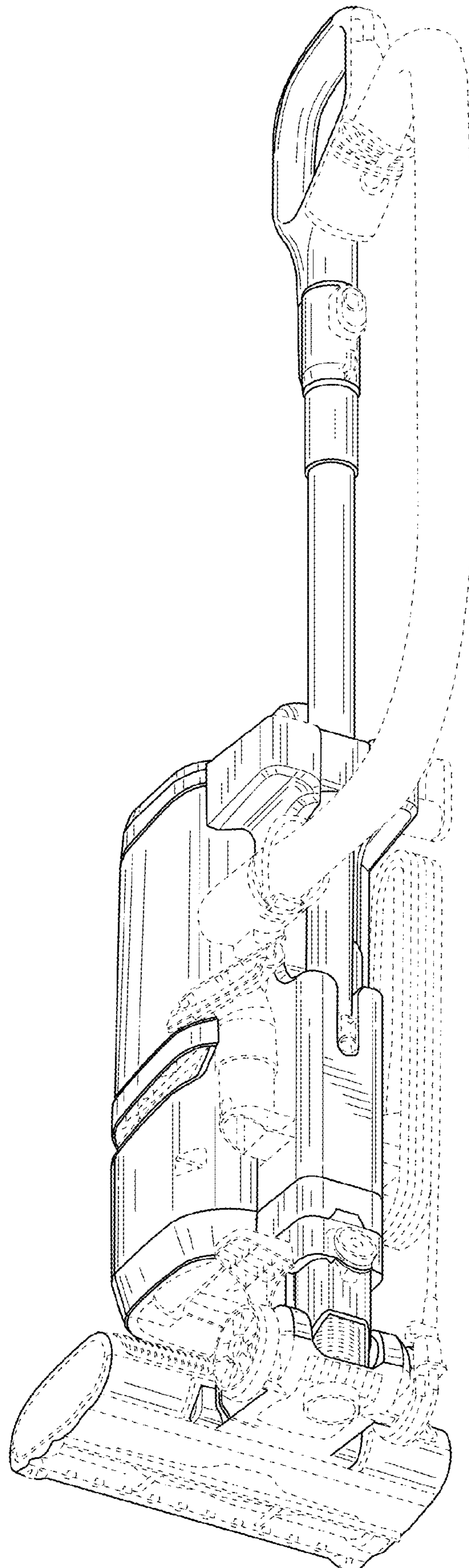


FIG. 8

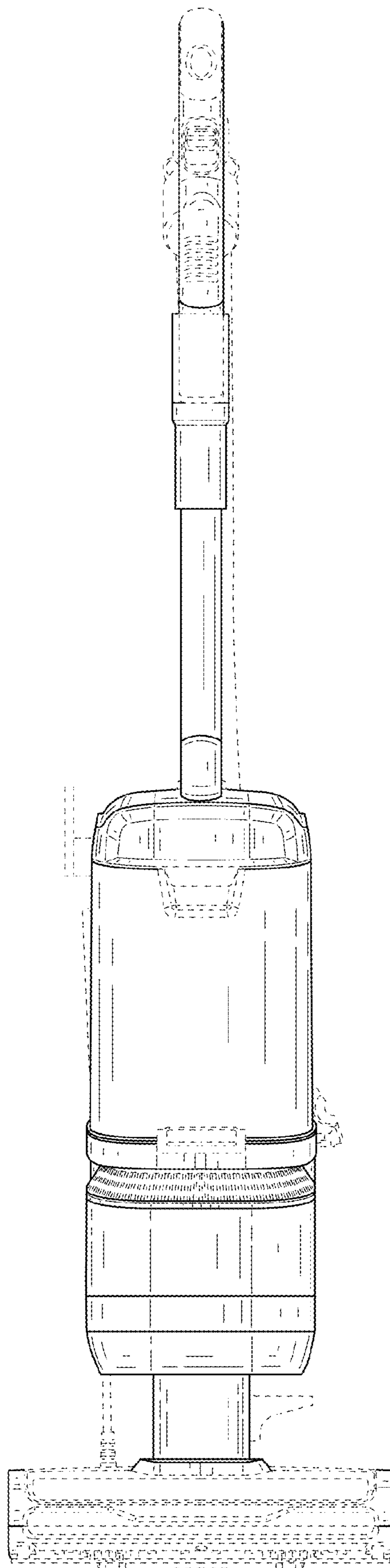


FIG. 9

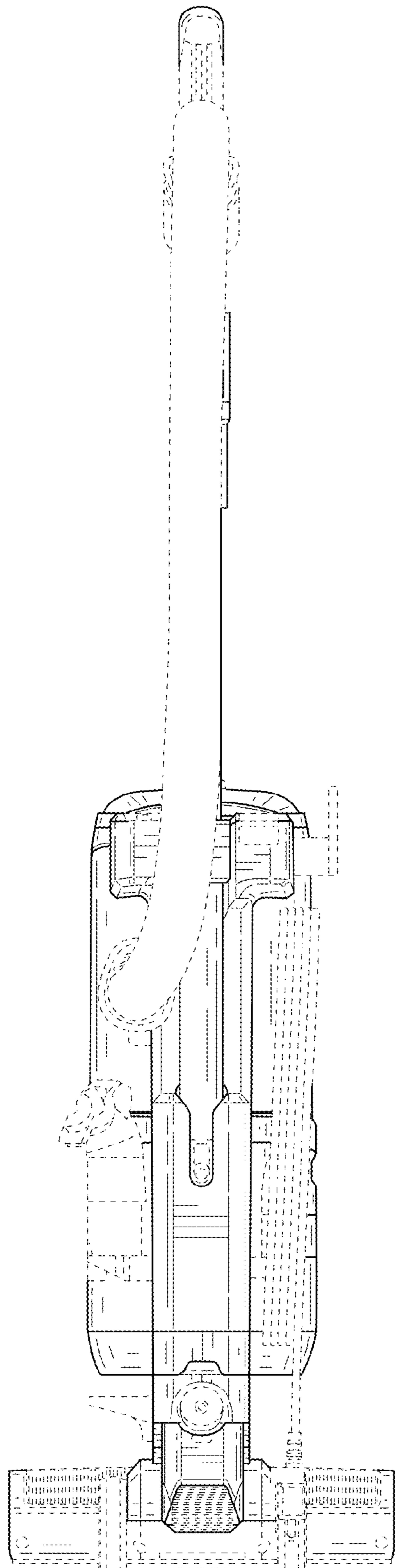


FIG. 10

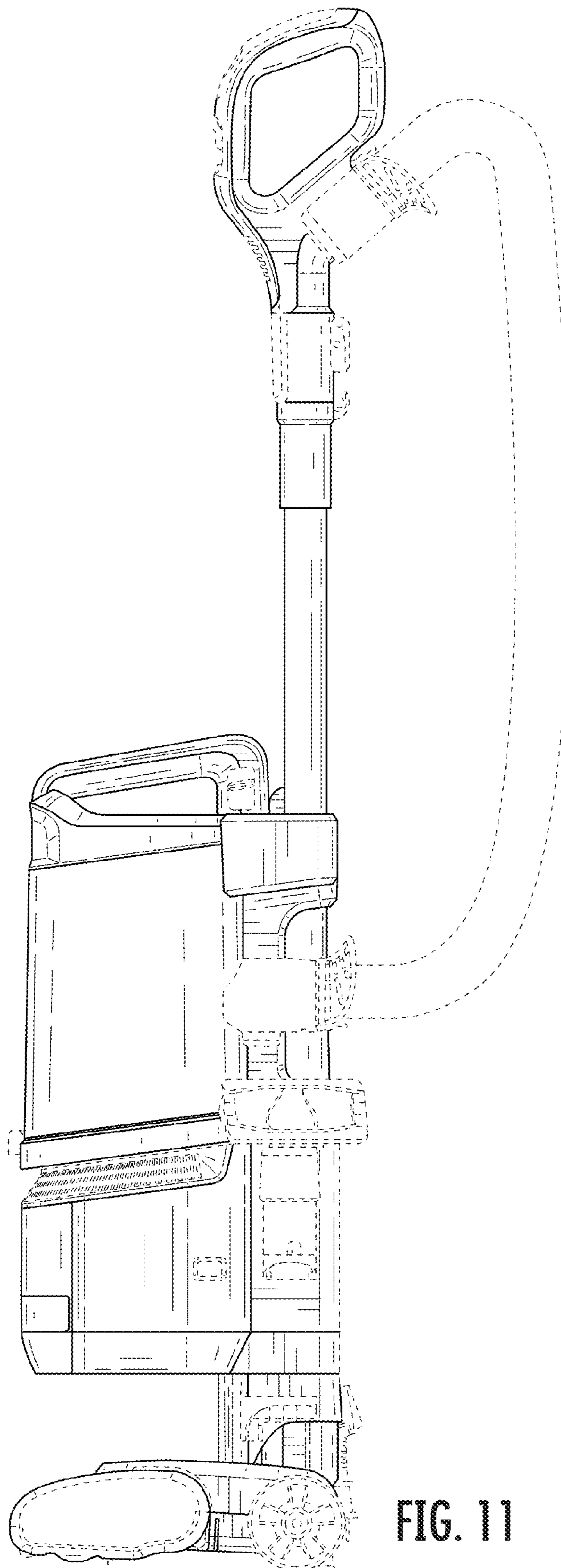


FIG. 11

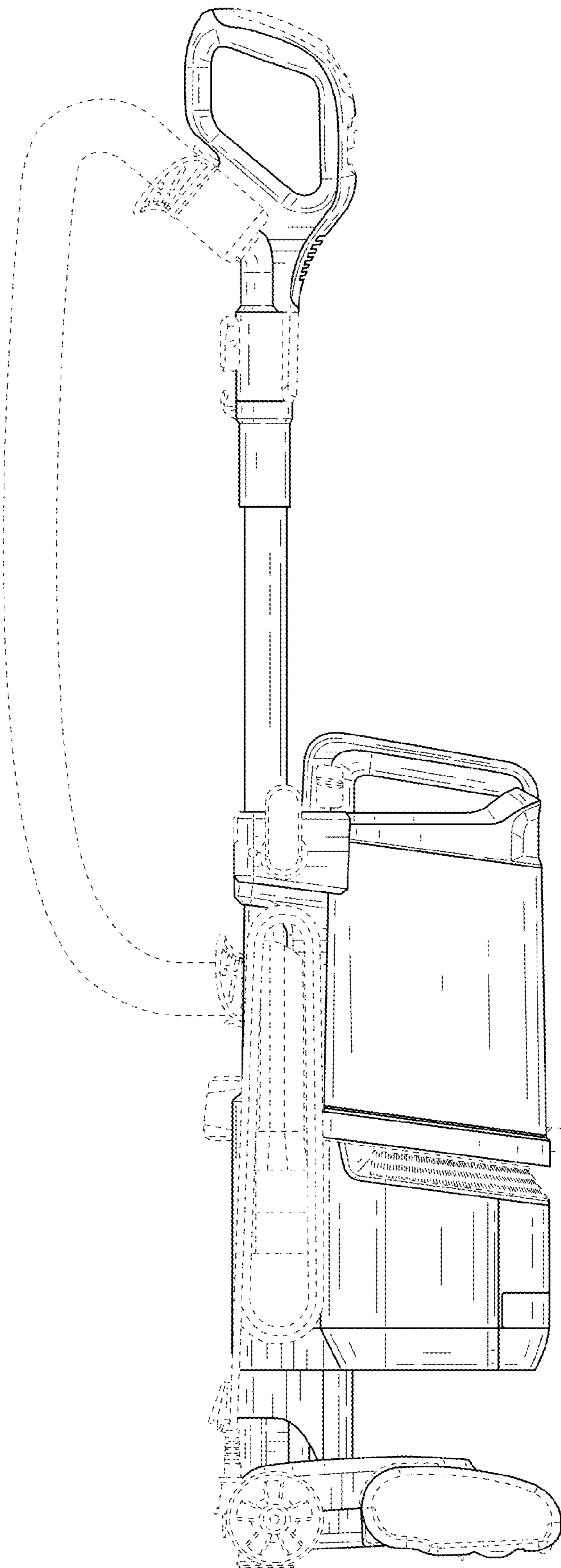


FIG. 12

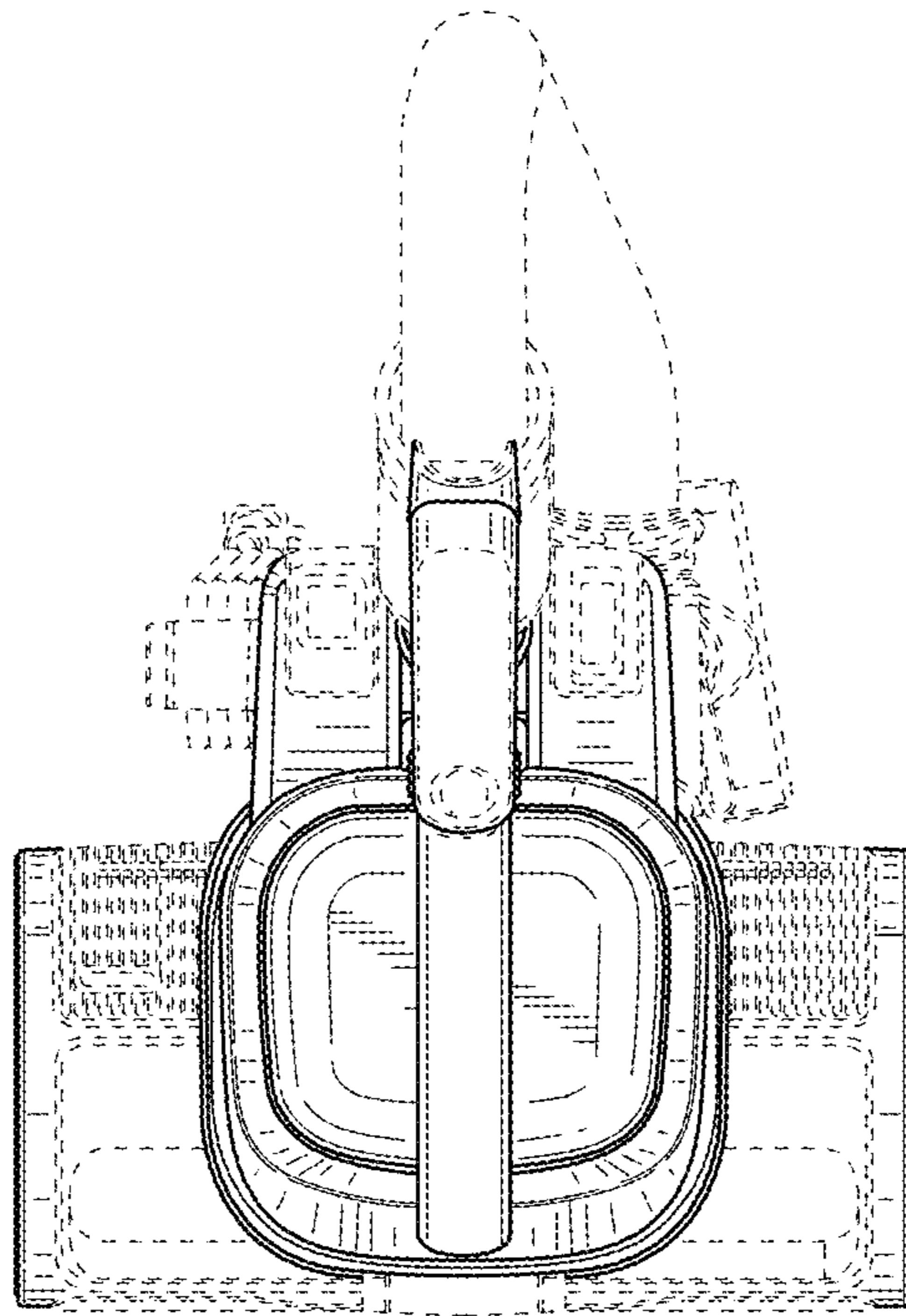


FIG. 13

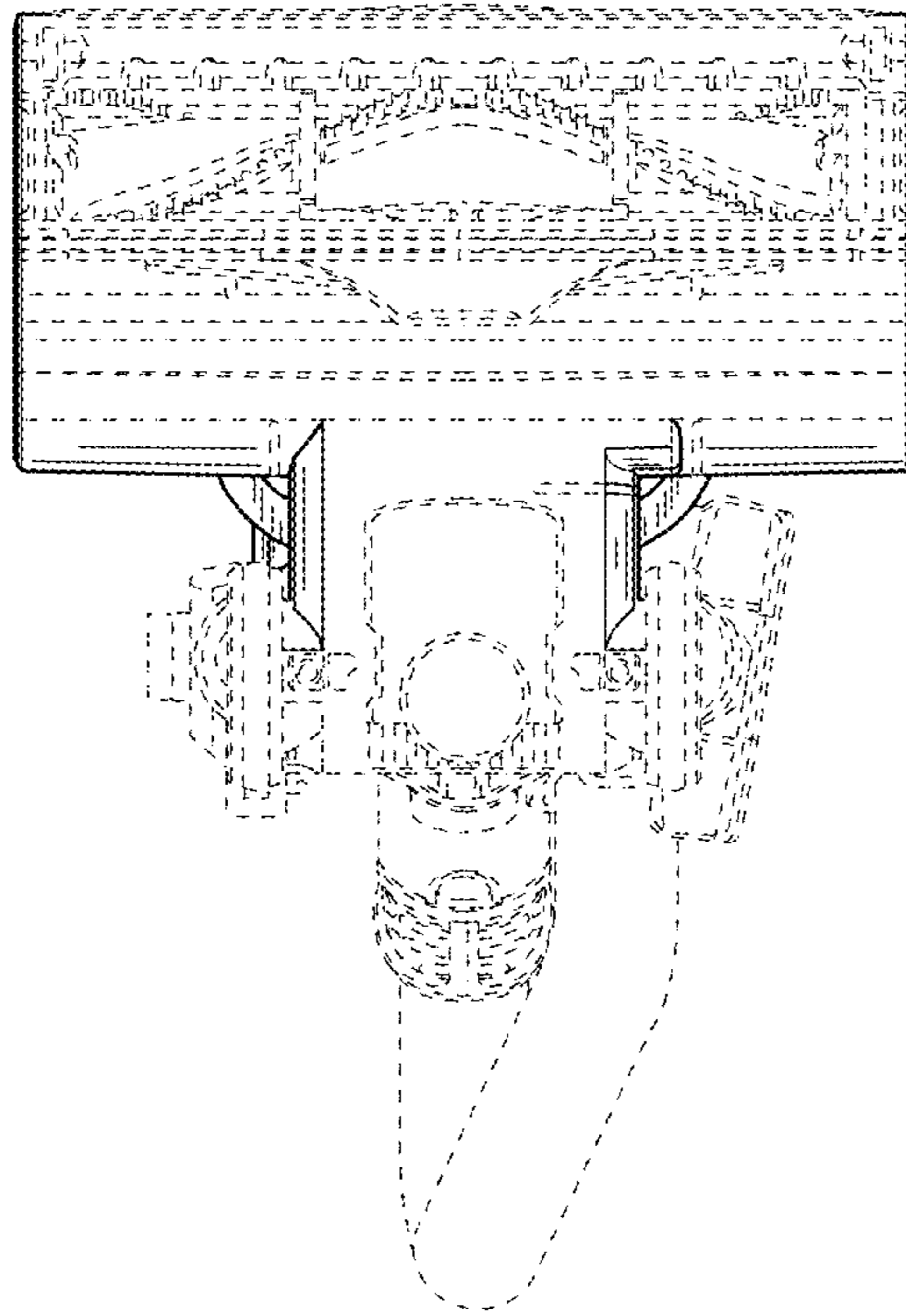


FIG. 14