



US00D952274S

(12) **United States Design Patent** (10) **Patent No.:** **US D952,274 S**
Toolan et al. (45) **Date of Patent:** **** May 17, 2022**

(54) **PET CHEW TOY**
(71) Applicant: **Benebone LLC**, Westport, CT (US)
(72) Inventors: **Peter Toolan**, Westport, CT (US); **Evan L. Ryan**, Evanston, IL (US)
(73) Assignee: **Benebone LLC**, Westport, CT (US)
(**) Term: **15 Years**

D274,649 S * 7/1984 Shiu D24/212
D317,373 S * 6/1991 Turner 446/255
D668,002 S * 9/2012 Mulligan D30/160
D689,155 S * 9/2013 Jahns D21/692
D760,451 S * 6/2016 Harvey D30/160
D805,207 S * 12/2017 Ruffin D24/187
D840,610 S * 2/2019 Toolan D30/160
D856,612 S * 8/2019 SteinKraus D30/160
D858,911 S * 9/2019 Becattini, Jr. D30/160
10,448,615 B1 * 10/2019 Mullin A01K 15/026

(Continued)

(21) Appl. No.: **29/809,455**

(22) Filed: **Sep. 28, 2021**

Related U.S. Application Data

(62) Division of application No. 29/778,480, filed on Apr. 13, 2021, now Pat. No. Des. 932,115, and a division of application No. 29/740,920, filed on Jul. 8, 2020, now Pat. No. Des. 929,677, which is a division of application No. 29/622,395, filed on Oct. 17, 2017, now Pat. No. Des. 894,503.

(51) **LOC (13) Cl.** **30-99**

(52) **U.S. Cl.**
USPC **D30/160**

(58) **Field of Classification Search**
USPC D21/398, 400, 402, 412, 415, 426, 436, D21/439, 440, 441, 443, 455, 460-462, D21/466-468, 479, 495, 563, 656, 712, D21/713, 788, 799.1, 470, 681, 386, 484, D21/707, 408, 437, 673, 678, 679, 682; D24/211, 212, 214, 215, 193-195; D30/160, 112, 119; D1/125-127, 120, D1/101, 104, 106, 199, 108, 115
CPC A01K 15/025; A01K 15/026
See application file for complete search history.

(56) **References Cited**

U.S. PATENT DOCUMENTS

D256,503 S * 8/1980 Moustakas D24/212
4,378,007 A * 3/1983 Kachadourian A61H 15/00
482/79

OTHER PUBLICATIONS

Benebone Zaggler Rolling Dog, posted at amazon.com, earliest date available on Sep. 4, 2019, [online], acquired on Dec. 18, 2021, Available on internet. url:https://www.amazon.com/Benebone-Zaggler-Rolling-Dog-Chew-Bacon-Flavor-Small/dp/B07XF7CHPC/ref=cm_cr_arp_d_product_top?ie=UTF8 (Year: 2019).*

Primary Examiner — Sheryl Lane

Assistant Examiner — Aula Soroush

(74) *Attorney, Agent, or Firm* — Fred Zollinger

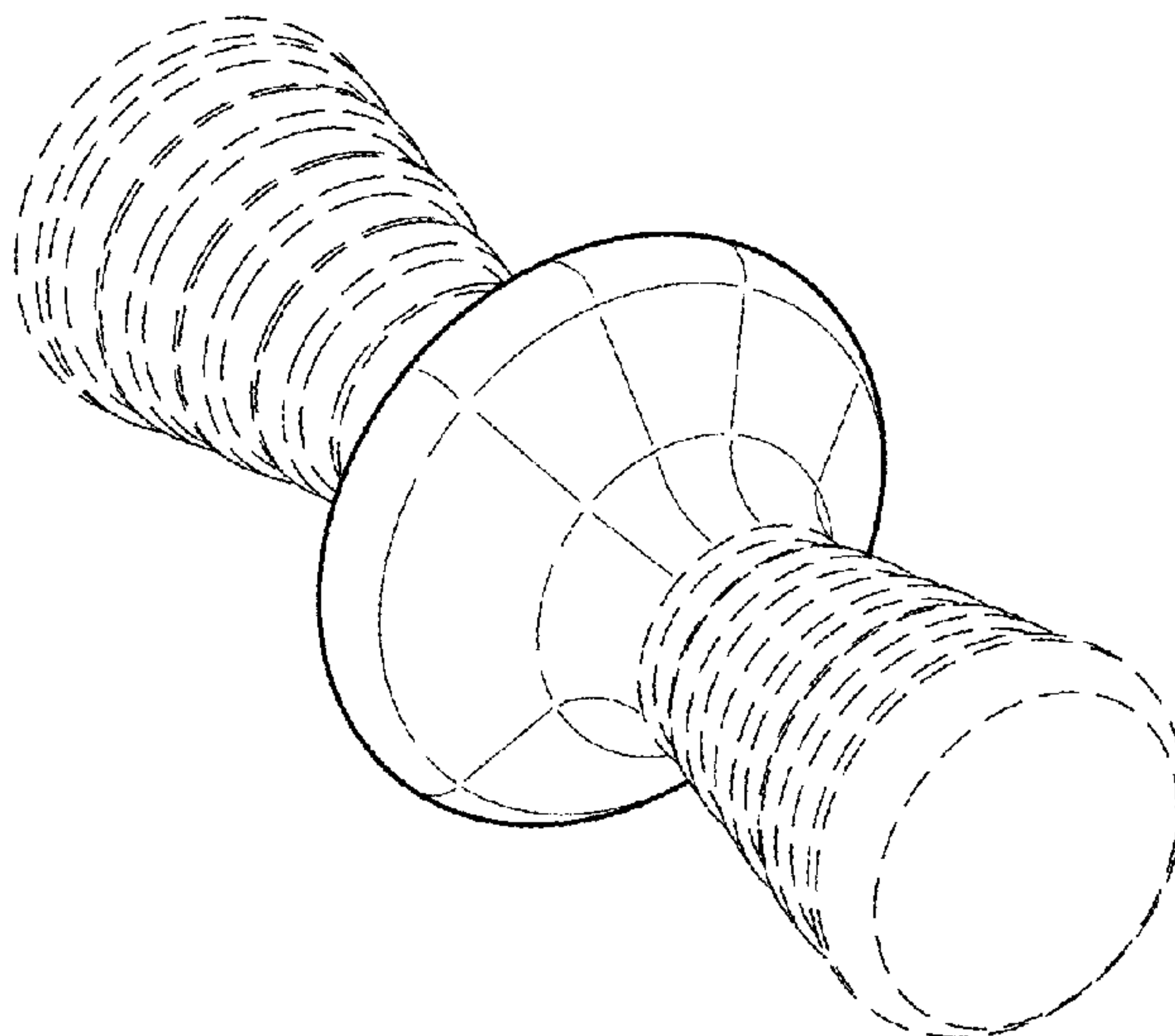
(57) **CLAIM**

The ornamental design for a pet chew toy, as shown and described.

DESCRIPTION

FIG. 1 is an upper front right perspective view of a pet chew toy showing our new design.
FIG. 2 is an upper rear right perspective view thereof.
FIG. 3 is a front elevation view thereof.
FIG. 4 is a rear elevation view thereof.
FIG. 5 is a top plan view of thereof.
FIG. 6 is a bottom plan view thereof; and,
FIG. 7 is a left side elevation view thereof; the right side elevation view being a mirror image thereof.
The features depicted in broken lines form no part of the claimed invention.

1 Claim, 3 Drawing Sheets



(56)

References Cited

U.S. PATENT DOCUMENTS

D872,387 S * 1/2020 Crane D30/160
D873,509 S * 1/2020 Steinkraus D30/160
D894,503 S * 8/2020 Toolan D30/160
10,888,069 B2 * 1/2021 Becattini, Jr. A01K 15/026
D929,677 S * 8/2021 Toolan D30/160
2018/0271062 A1 * 9/2018 Toolan A01K 15/026

* cited by examiner

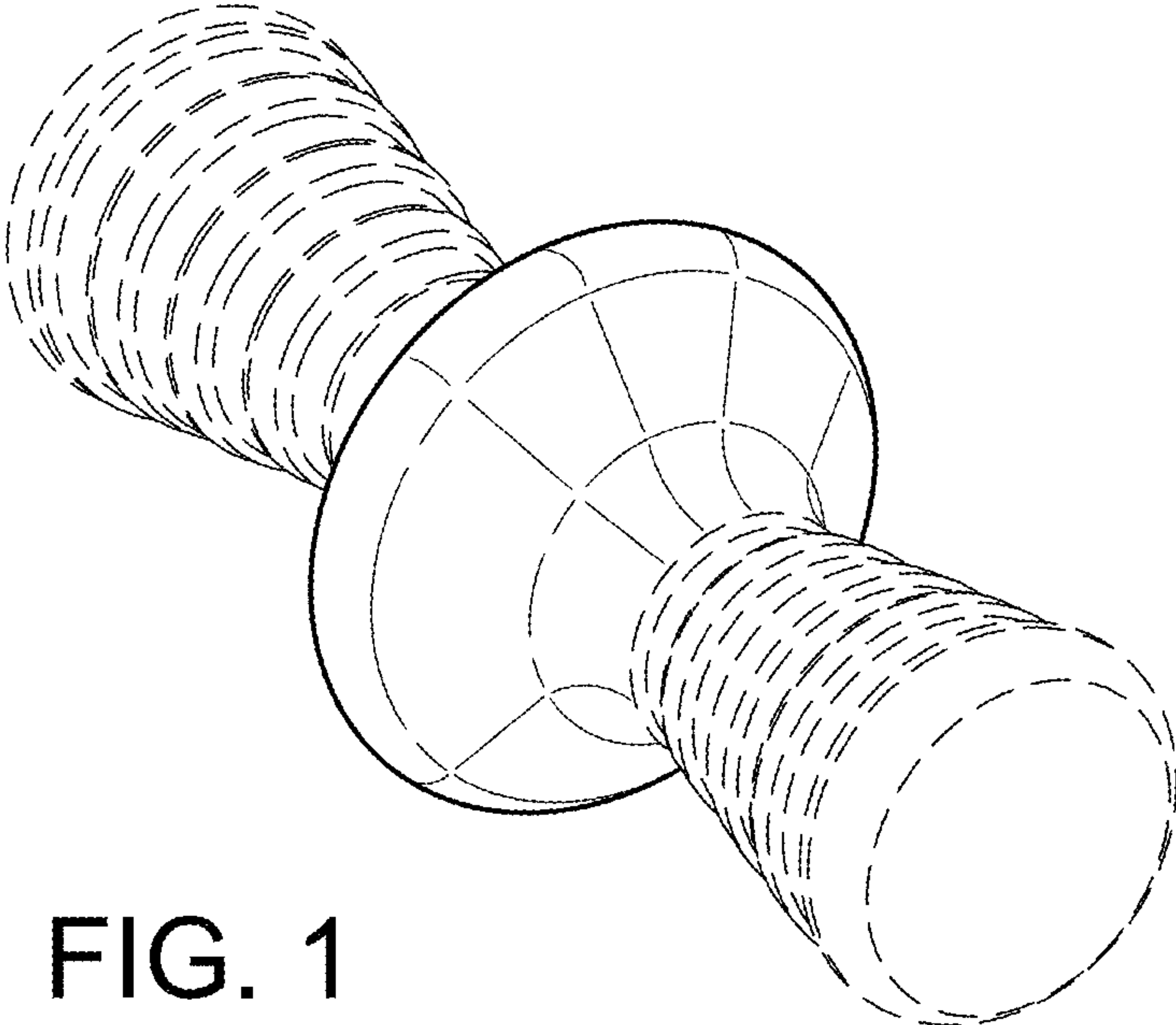


FIG. 1

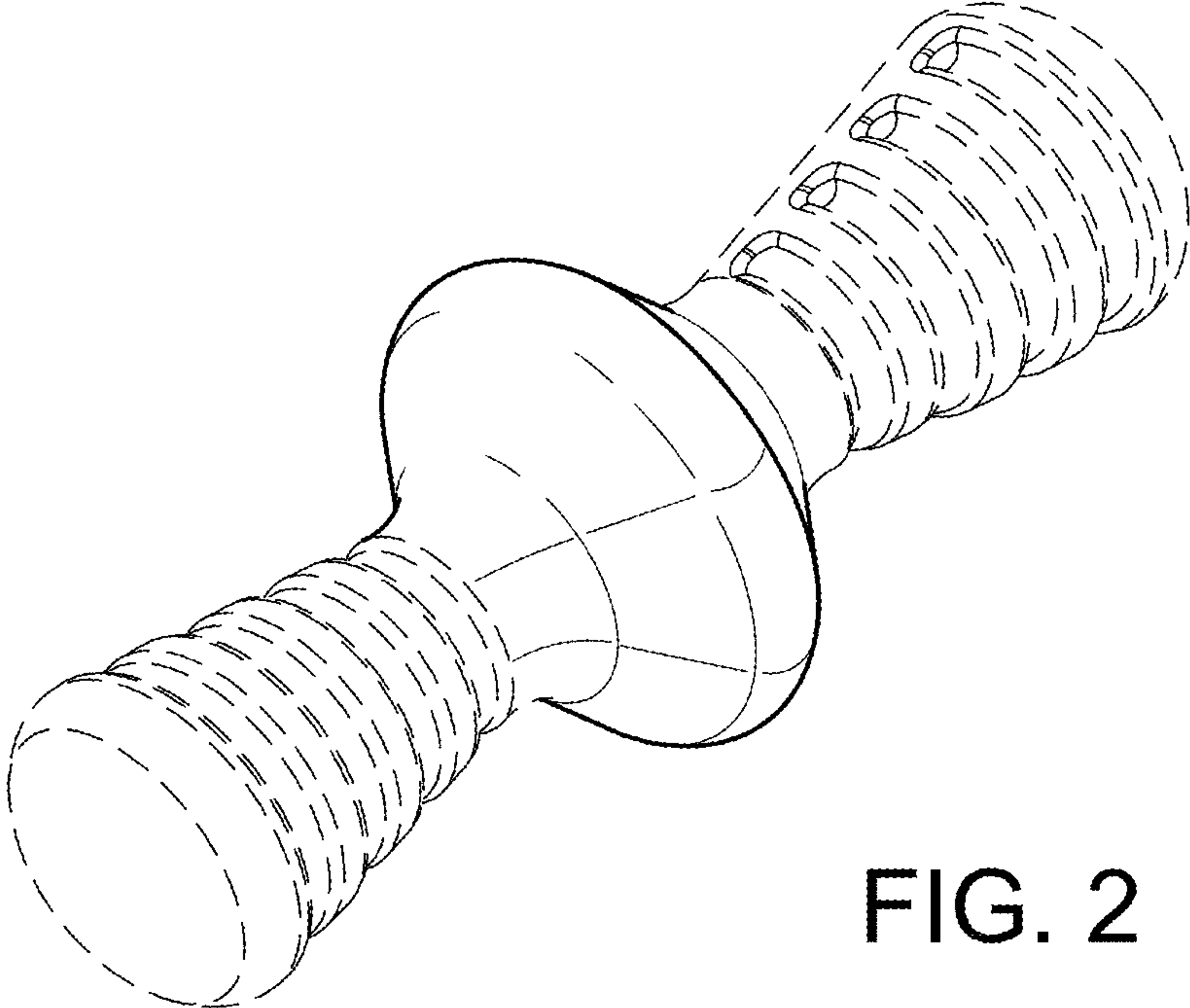


FIG. 2

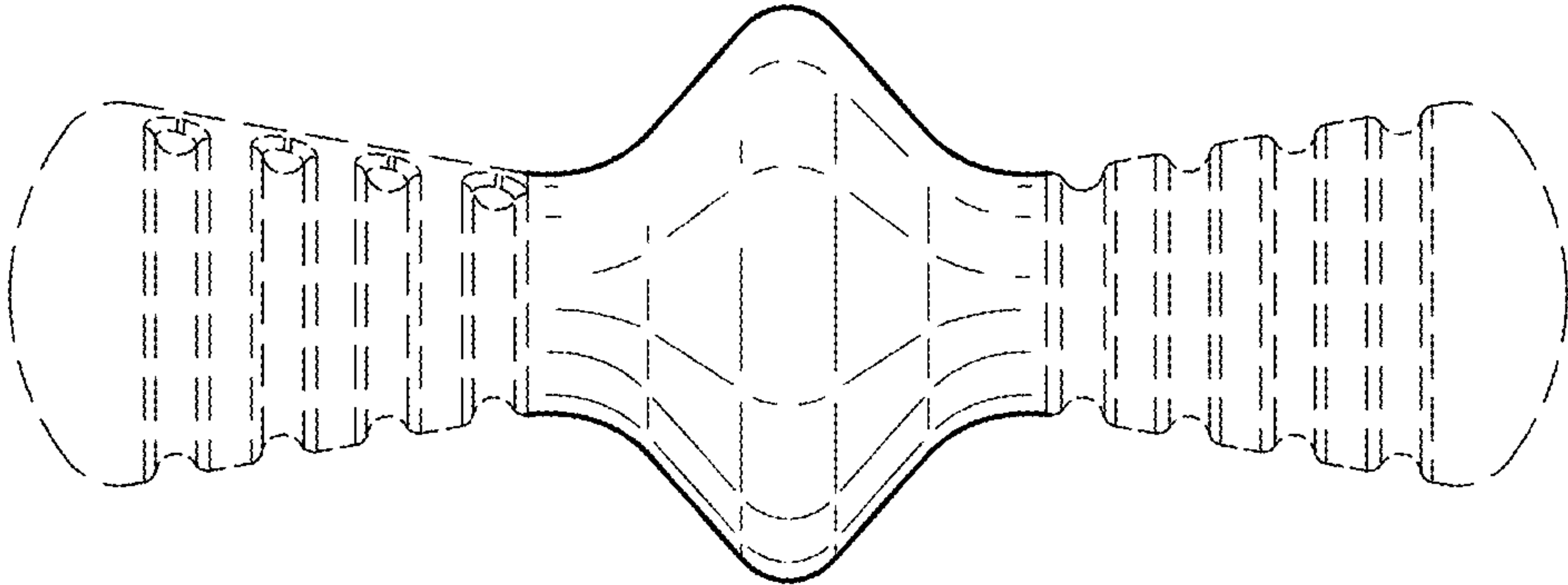


FIG. 3

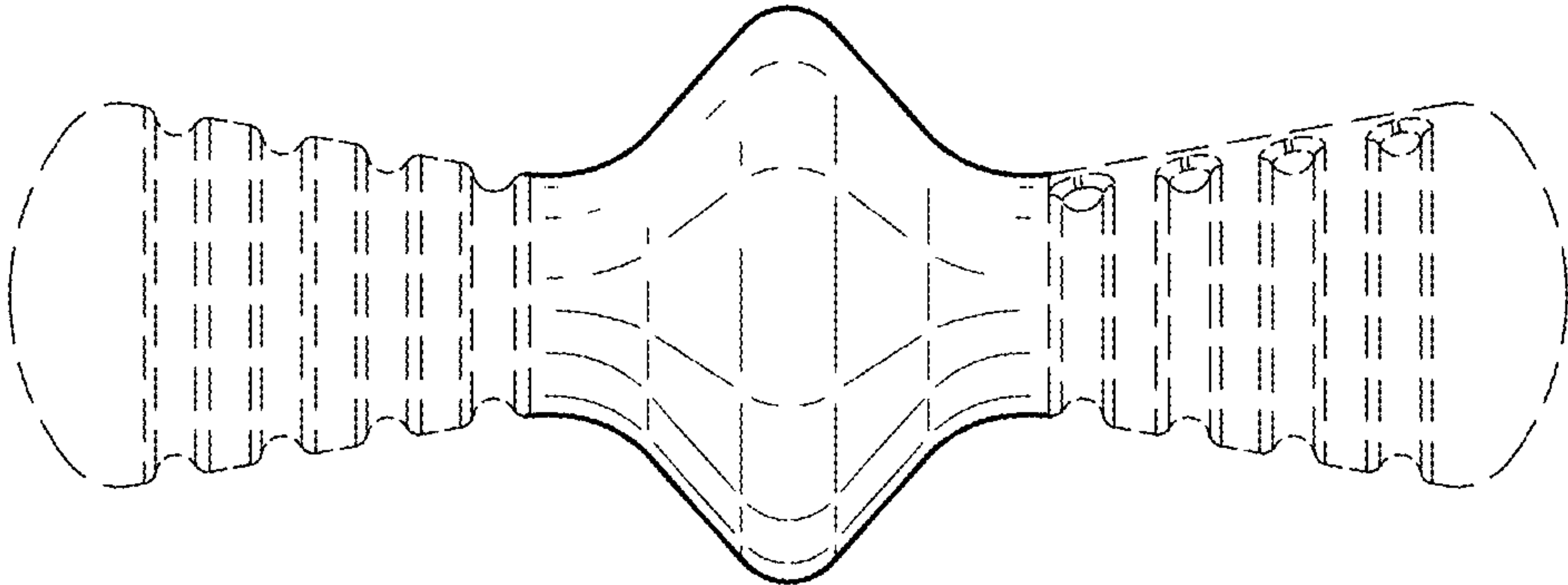


FIG. 4

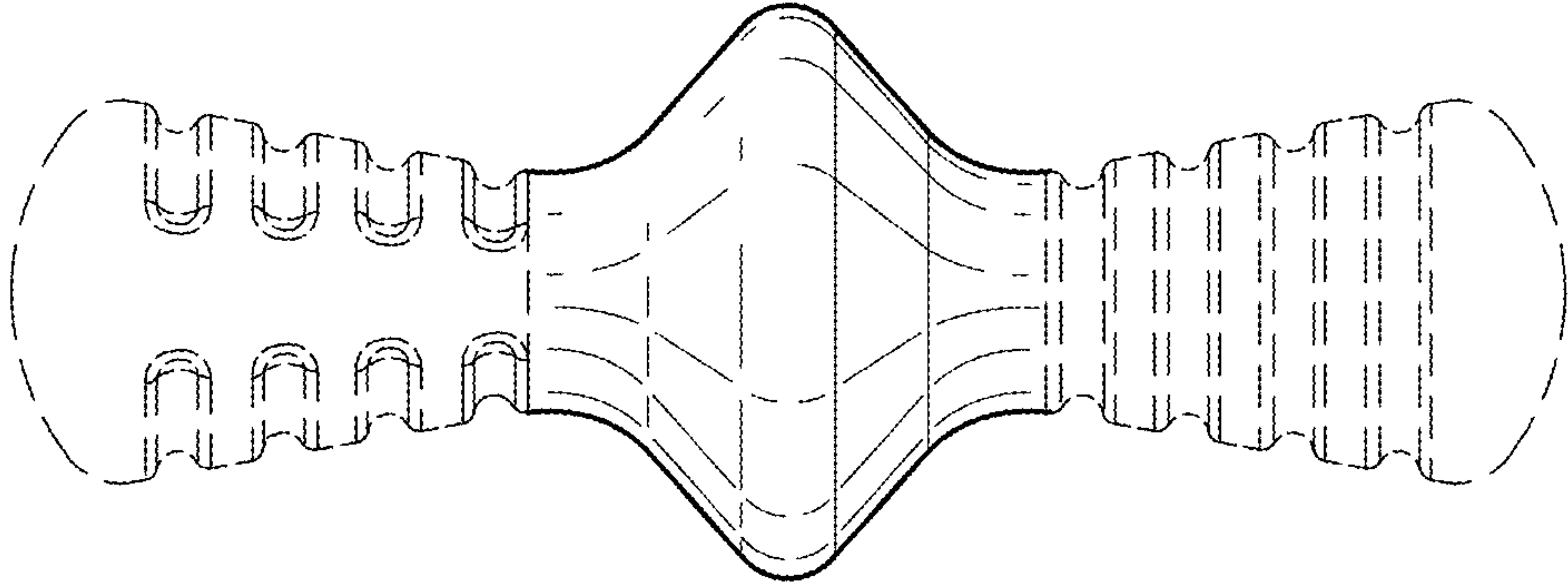


FIG. 5

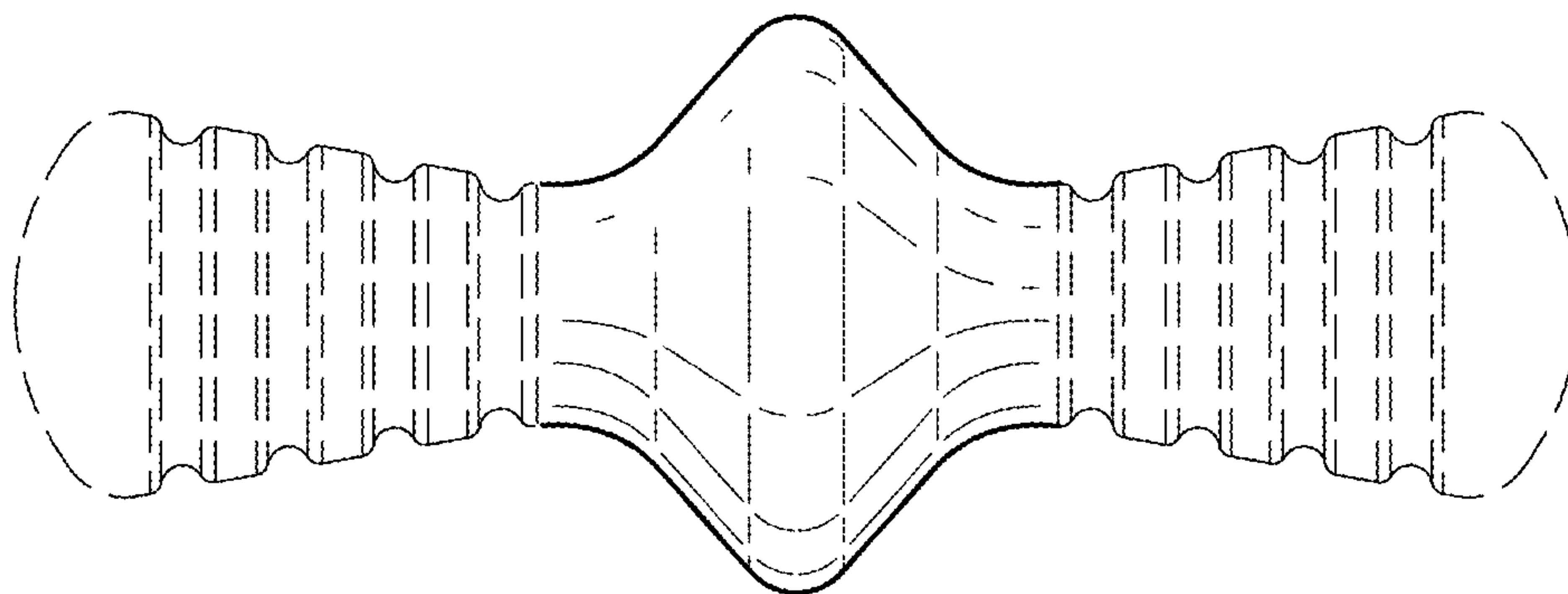


FIG. 6

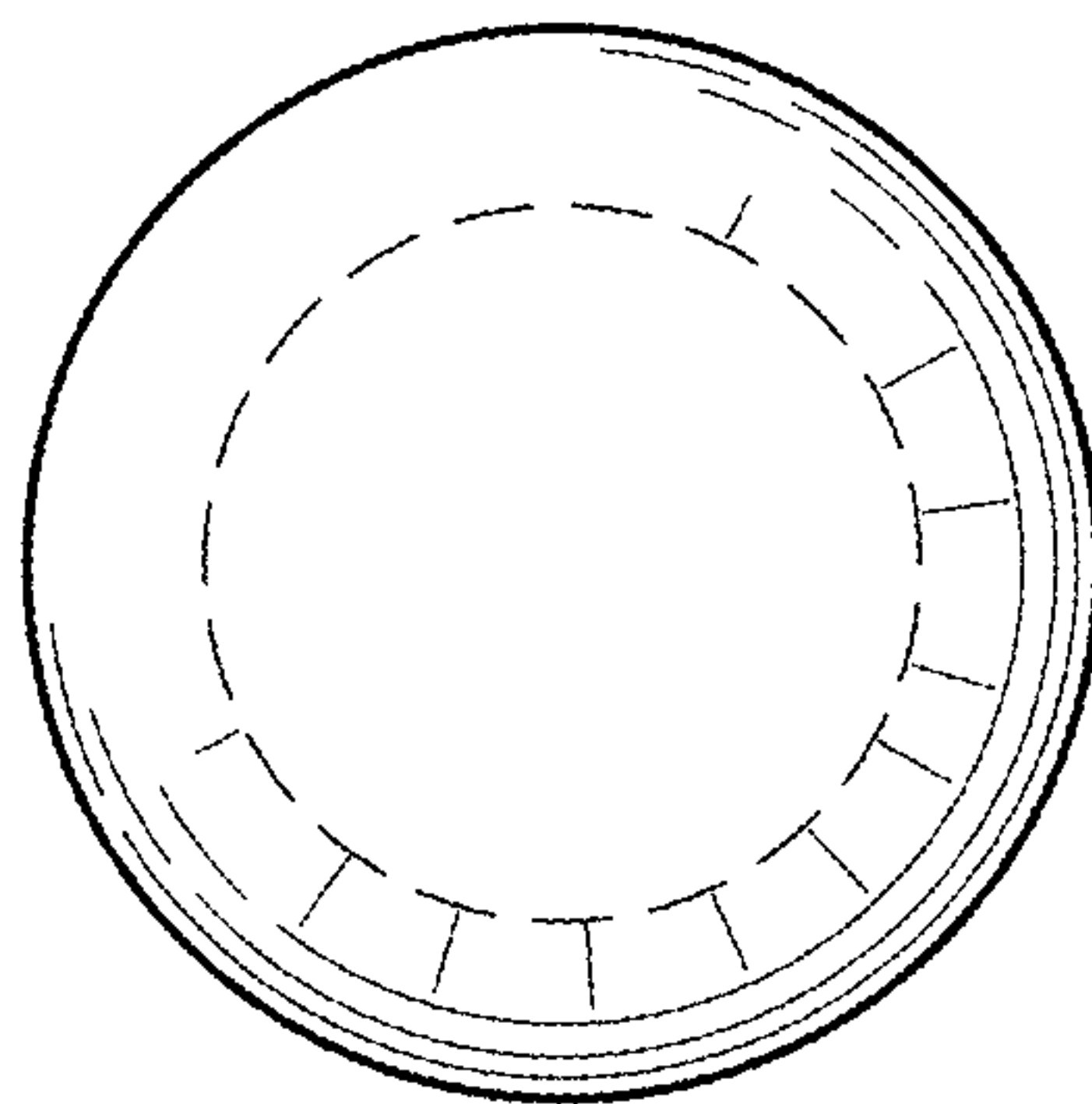


FIG. 7