



US00D952271S

(12) **United States Design Patent** (10) **Patent No.:** **US D952,271 S**  
**Xiao** (45) **Date of Patent:** **\*\* May 17, 2022**

(54) **PET DRYER BRUSH**  
 (71) Applicant: **Zhaojie Zhang**, Changde (CN)  
 (72) Inventor: **Jincheng Xiao**, Changde (CN)  
 (73) Assignee: **Zhaojie Zhang**, Changde (CN)  
 (\*\*) Term: **15 Years**

2006/0000423 A1\* 1/2006 Morosin ..... A01K 13/002  
 119/600  
 2010/0294210 A1\* 11/2010 Dyson ..... A01K 13/002  
 119/612  
 2011/0030620 A1\* 2/2011 Jouan ..... A01K 13/002  
 119/611  
 2020/0128789 A1\* 4/2020 Gates ..... A46B 15/0053  
 2021/0177131 A1\* 6/2021 Jacobowitz ..... A46B 9/023

(21) Appl. No.: **29/747,384**  
 (22) Filed: **Aug. 21, 2020**  
 (51) **LOC (13) Cl.** ..... **30-99**  
 (52) **U.S. Cl.**  
 USPC ..... **D30/159**  
 (58) **Field of Classification Search**  
 USPC ..... D30/158, 159, 199; 119/600, 606, 608,  
 119/609, 610, 611, 612, 613, 615, 616,  
 119/620, 625  
 CPC .. A01K 13/00; A01K 13/002; A01K 13/0002;  
 A01K 13/001; A45D 29/02; A45D  
 24/007; A45D 29/04; A45D 29/05; A01J  
 7/04  
 See application file for complete search history.

FOREIGN PATENT DOCUMENTS

GB 6097565 \* 8/2020

\* cited by examiner

*Primary Examiner* — Michael C Stout  
*Assistant Examiner* — Katrina N Gonzalez

(57) **CLAIM**

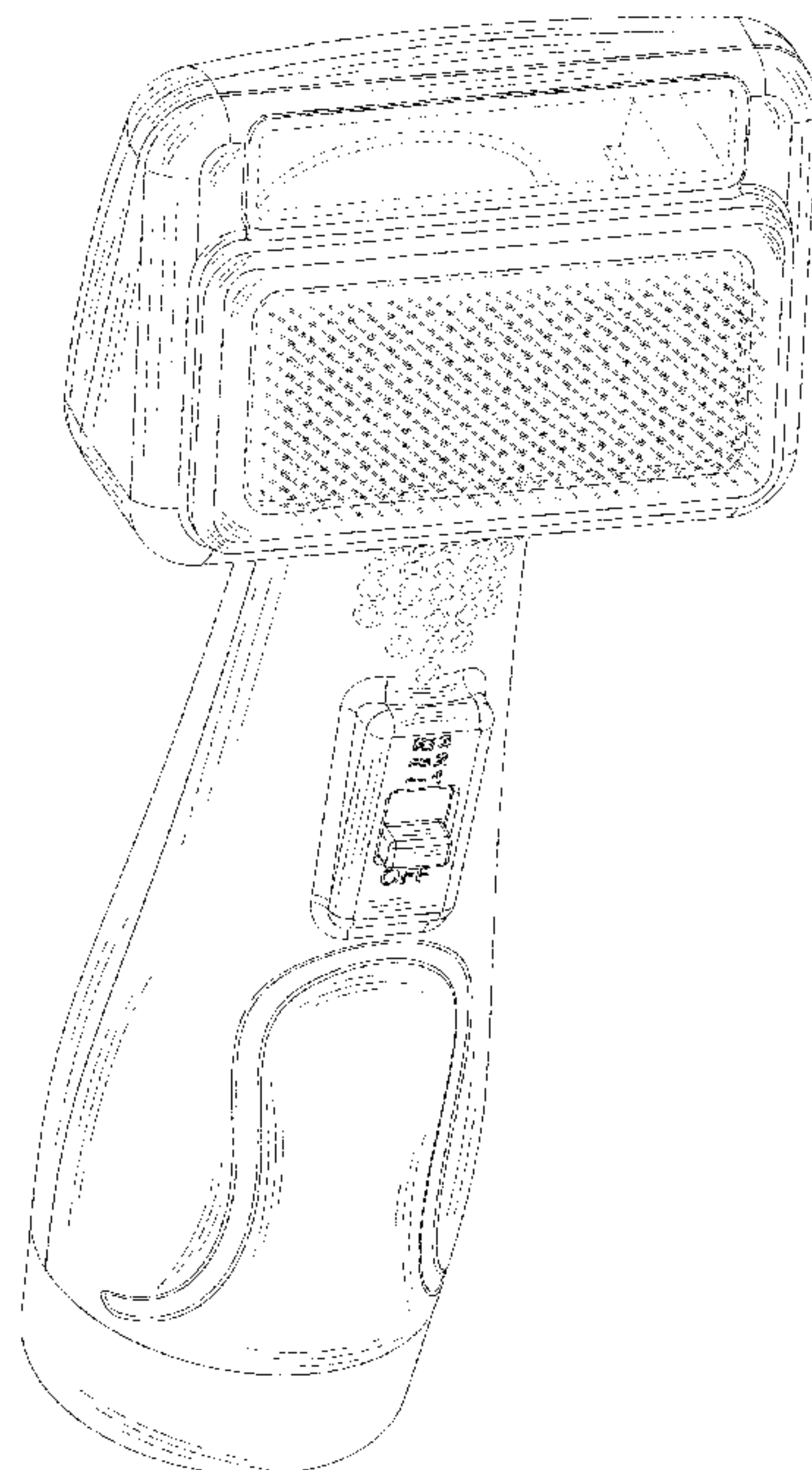
The ornamental design for a pet dryer brush, as shown and described.

**DESCRIPTION**

FIG. 1 is a perspective view of a pet dryer brush showing my new design in one configuration;  
 FIG. 2 is a front elevational view of the configuration as shown in FIG. 1;  
 FIG. 3 is a back side elevational view of the configuration as shown in FIG. 1;  
 FIG. 4 is a left side elevational view of the configuration as shown in FIG. 1;  
 FIG. 5 is a right side elevational view of the configuration as shown in FIG. 1;  
 FIG. 6 is a top plan view of the configuration as shown in FIG. 1; and,  
 FIG. 7 is a bottom plan view of the configuration as shown in FIG. 1.

(56) **References Cited**  
 U.S. PATENT DOCUMENTS  
 D375,588 S \* 11/1996 Bzoch ..... D30/158  
 D389,618 S \* 1/1998 Rosen ..... D30/158  
 D444,925 S \* 7/2001 Monette ..... D30/158  
 D688,425 S \* 8/2013 Fernandez ..... D30/158  
 D813,471 S \* 3/2018 Razgour ..... D30/159  
 D831,905 S \* 10/2018 Benacquisto ..... D30/158  
 D866,092 S \* 11/2019 Liang ..... D30/158  
 D874,745 S \* 2/2020 Noh ..... D30/158  
 D908,292 S \* 1/2021 Wu ..... D30/158  
 D912,335 S \* 3/2021 Wu ..... D30/158

**1 Claim, 7 Drawing Sheets**



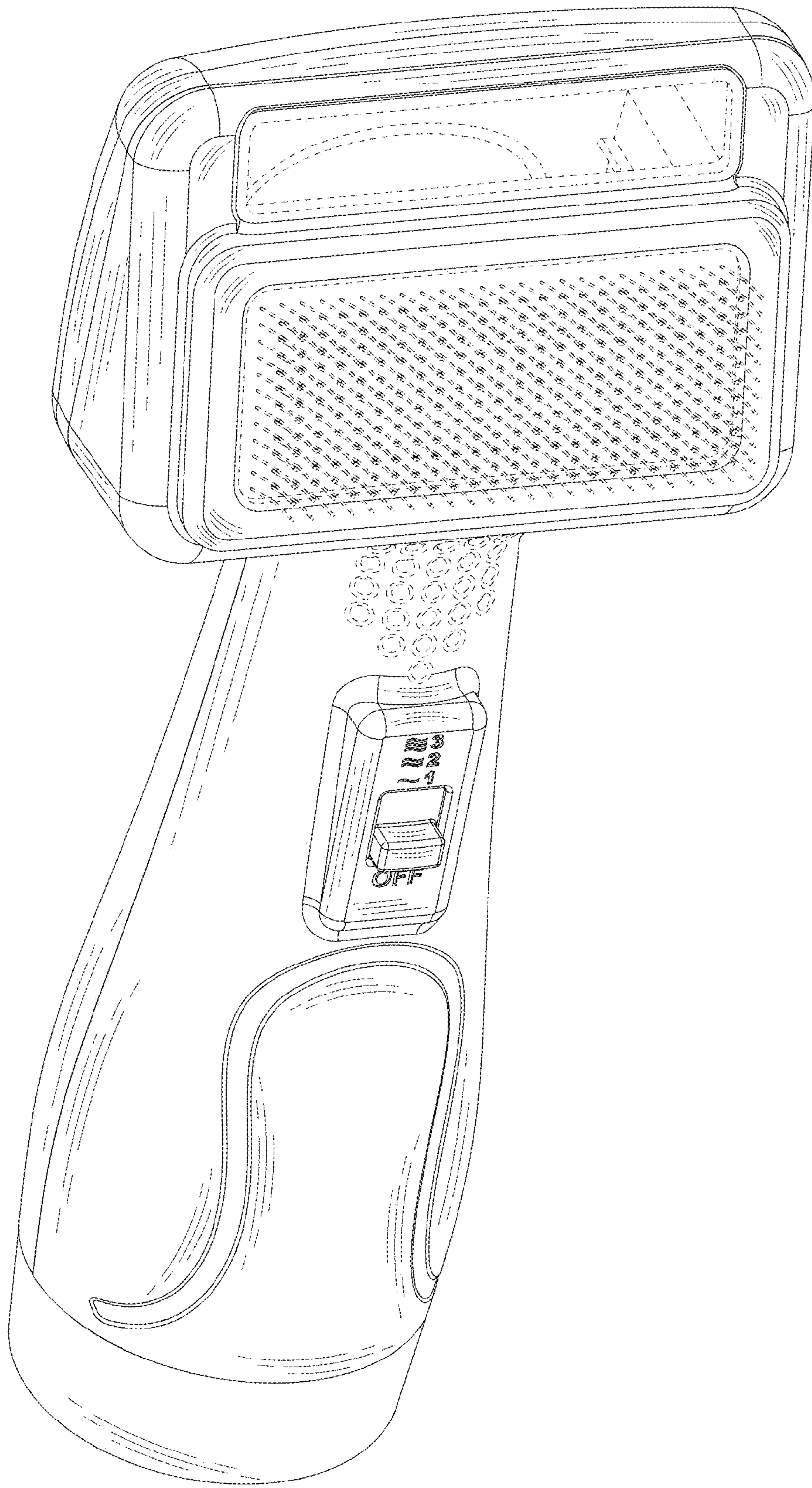


FIG. 1

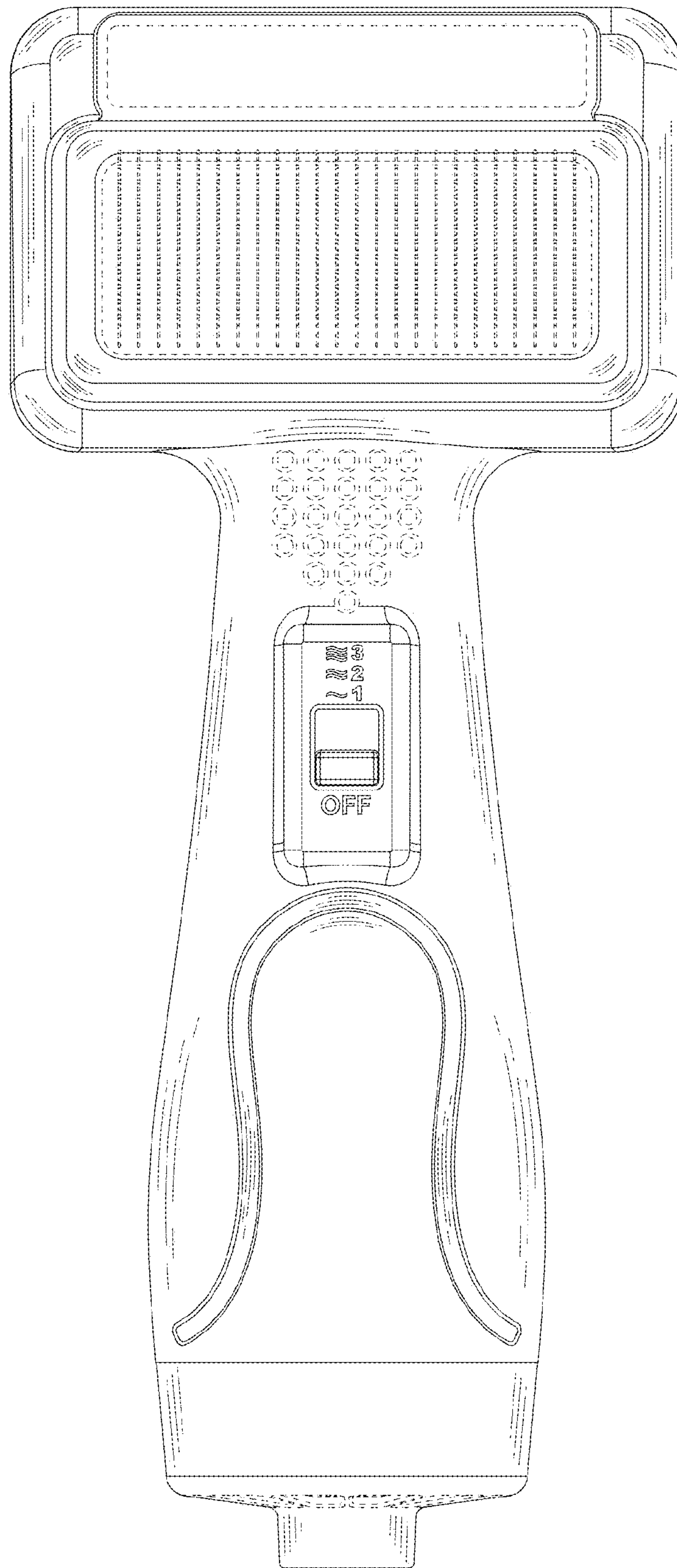


FIG. 2



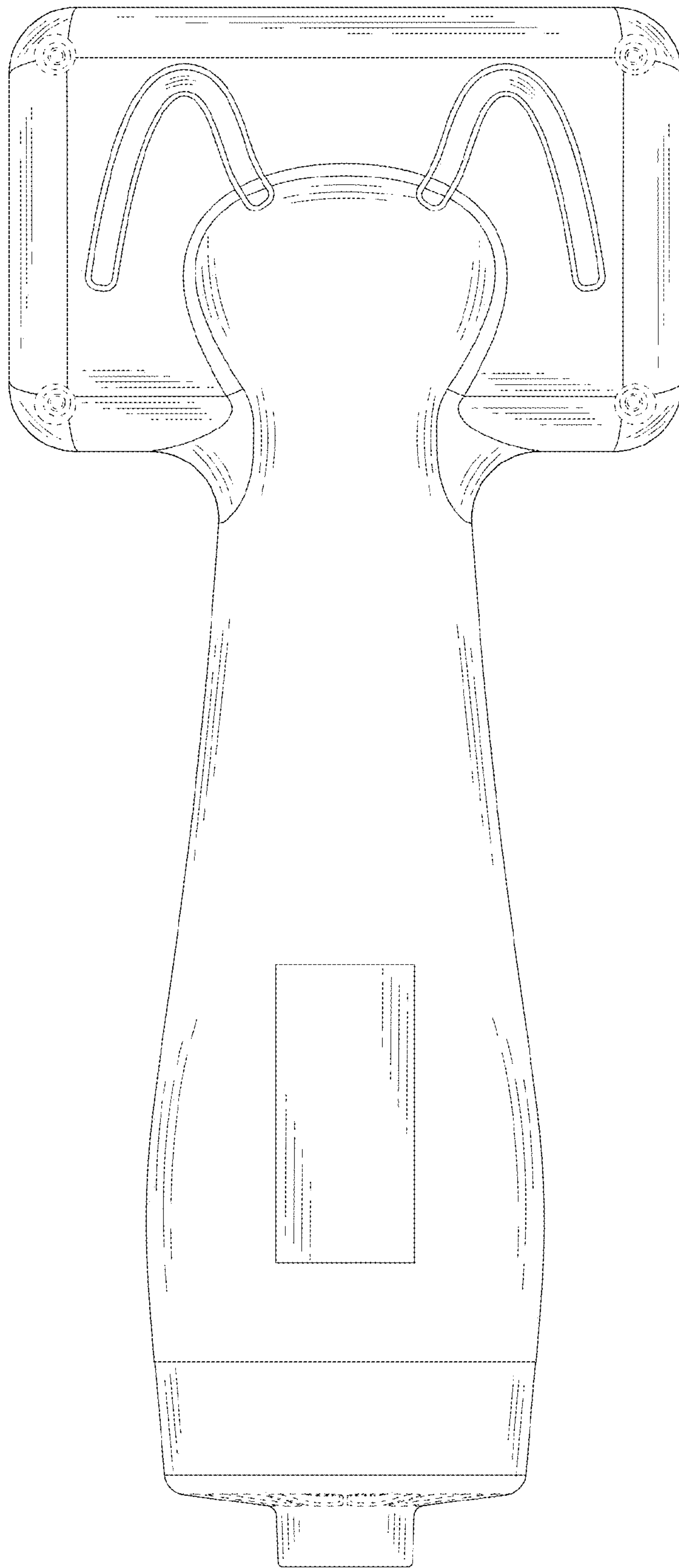


FIG. 3

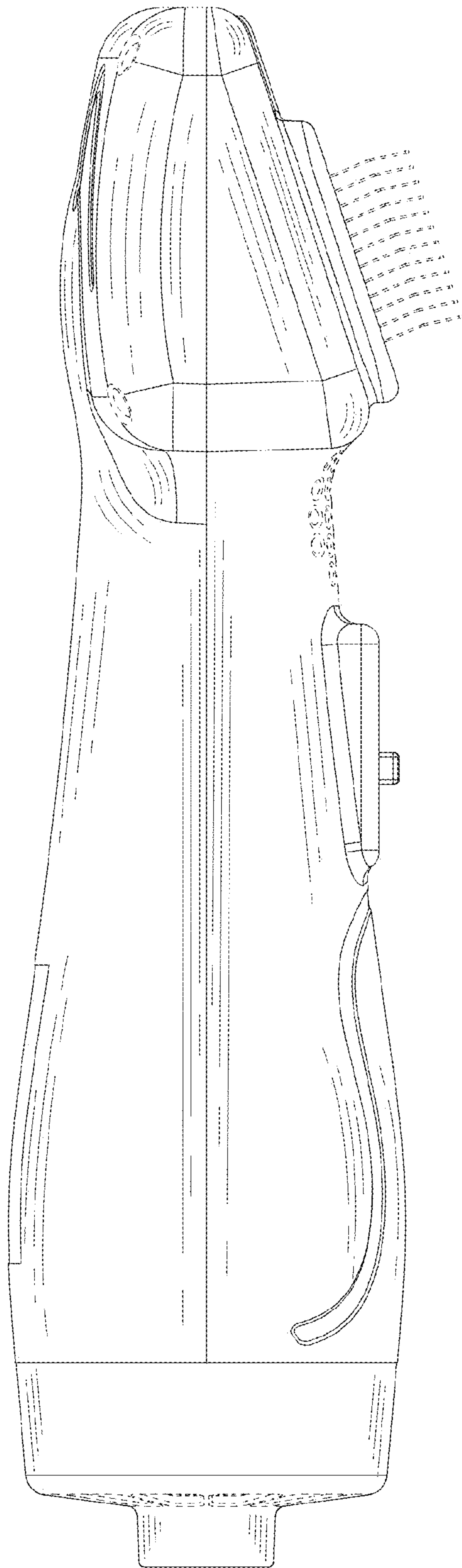


FIG. 4

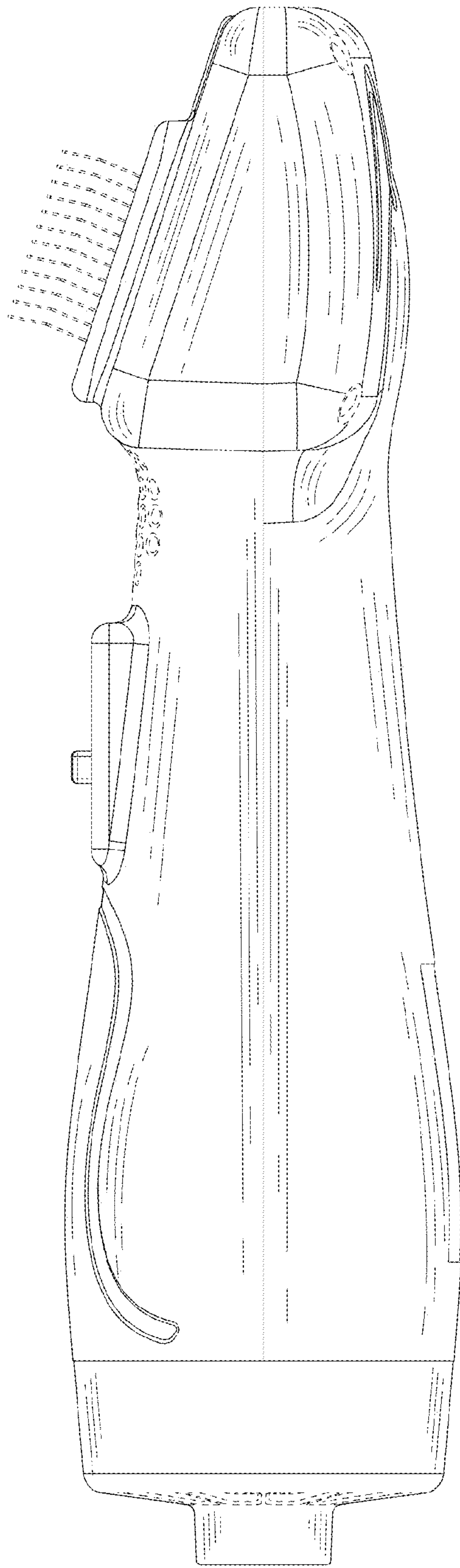


FIG. 5

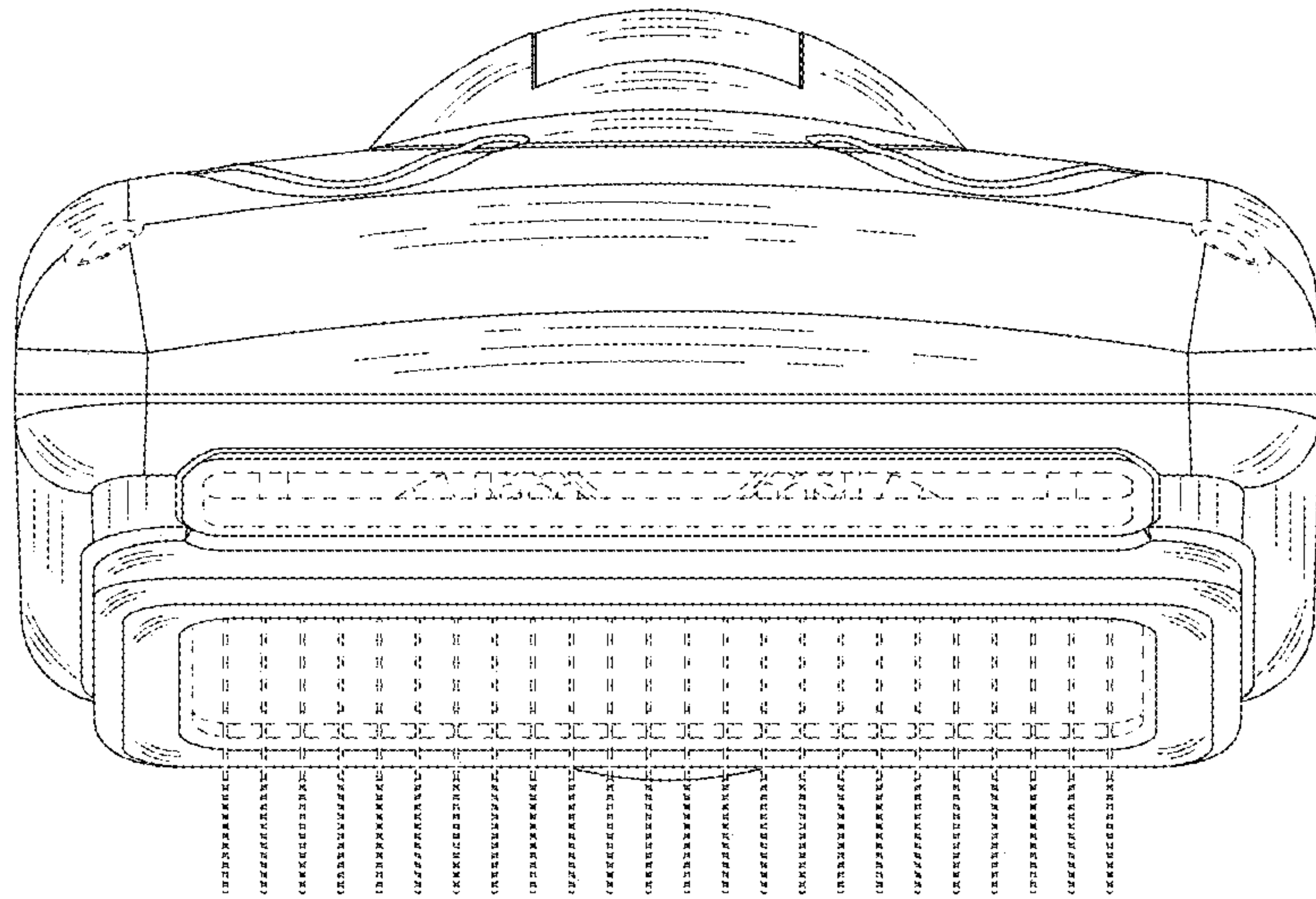


FIG. 6

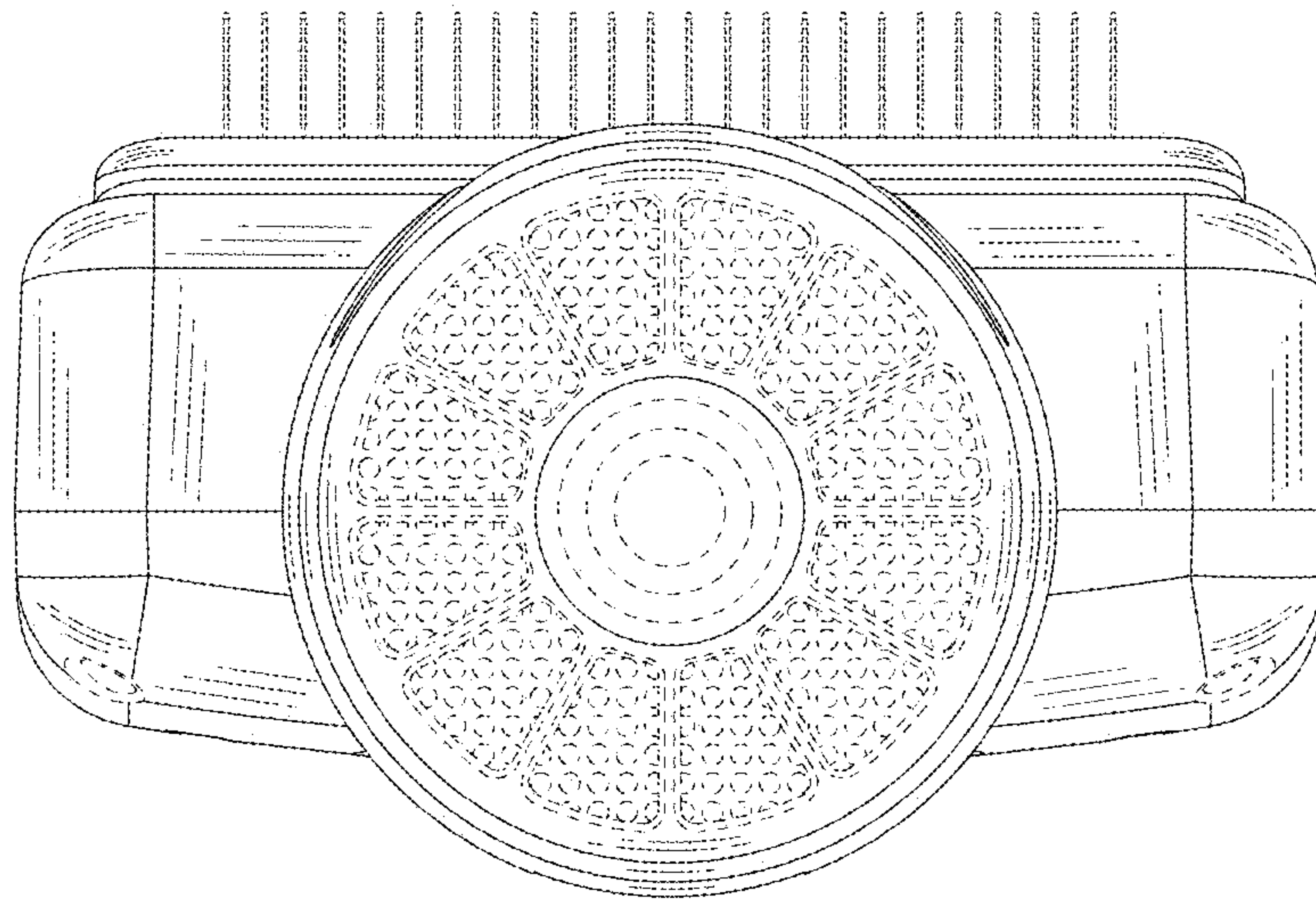


FIG. 7