



US00D952270S

(12) **United States Design Patent**  
**Kang**

(10) **Patent No.:** **US D952,270 S**

(45) **Date of Patent:** **\*\* May 17, 2022**

(54) **PET DRYER**

- (71) Applicant: **Cuckoo Electronics Co., Ltd.**,  
Yangsan-si (KR)
- (72) Inventor: **Ri Ra Kang**, Yangsan-si (KR)
- (73) Assignee: **CUCKOO ELECTRONICS CO., LTD.**,  
Yangsan-si (KR)

(\*\*) Term: **15 Years**

(21) Appl. No.: **29/688,538**

(22) Filed: **Apr. 23, 2019**

(30) **Foreign Application Priority Data**

Nov. 5, 2018 (KR) ..... 30-2018-0050947

(51) **LOC (13) Cl.** ..... **30-99**

(52) **U.S. Cl.**  
USPC ..... **D30/158; D30/108**

(58) **Field of Classification Search**  
USPC ..... **D30/108, 158, 159, 199; 119/174, 677;**  
**34/202**

CPC ..... **A01K 13/001; A01K 13/003; A01K 13/00**  
See application file for complete search history.

(56) **References Cited**

**U.S. PATENT DOCUMENTS**

- D639,516 S \* 6/2011 Christensen ..... D30/158
- D685,139 S \* 6/2013 Park ..... D30/108
- D870,988 S \* 12/2019 Teper ..... D30/161
- 2009/0173286 A1 \* 7/2009 Schetlin ..... A01K 13/001  
119/606
- 2015/0366163 A1 \* 12/2015 Carter ..... A01K 13/001  
119/678

**OTHER PUBLICATIONS**

“Beautiful happy Pet Drying Box” available May 13, 2020, [online], [site visited May 13, 2020]. Retrieved from Internet, URL:https://www.amazon.com/dp/B07R78YQ3V?tag=squirclely0d-20&linkCode=ogi&th=1 (Year: 2020).\*

“Rice cooker maker ventures into pet product market with dog hair dryer” available Jun. 12, 2019, [online], [site visited May 19, 2020]. Retrieved from Internet, URL:https://www.ajudaily.com/view/20190612160255058 (Year: 2019).\*

\* cited by examiner

*Primary Examiner* — Michael C Stout

*Assistant Examiner* — Katrina N Gonzalez

(74) *Attorney, Agent, or Firm* — STIP Law Group, LLC

(57) **CLAIM**

The ornamental design for a pet dryer, as shown and described.

**DESCRIPTION**

FIG. 1 is a perspective view of the pet dryer, showing the present design.

FIG. 2 is a front view thereof.

FIG. 3 is a rear view thereof.

FIG. 4 is a left side view thereof.

FIG. 5 is a right side view thereof.

FIG. 6 is a top view of thereof; and,

FIG. 7 is a bottom view of thereof.

The broken lines illustrate portions of the pet dryer that form no part of the claimed design.

**1 Claim, 7 Drawing Sheets**

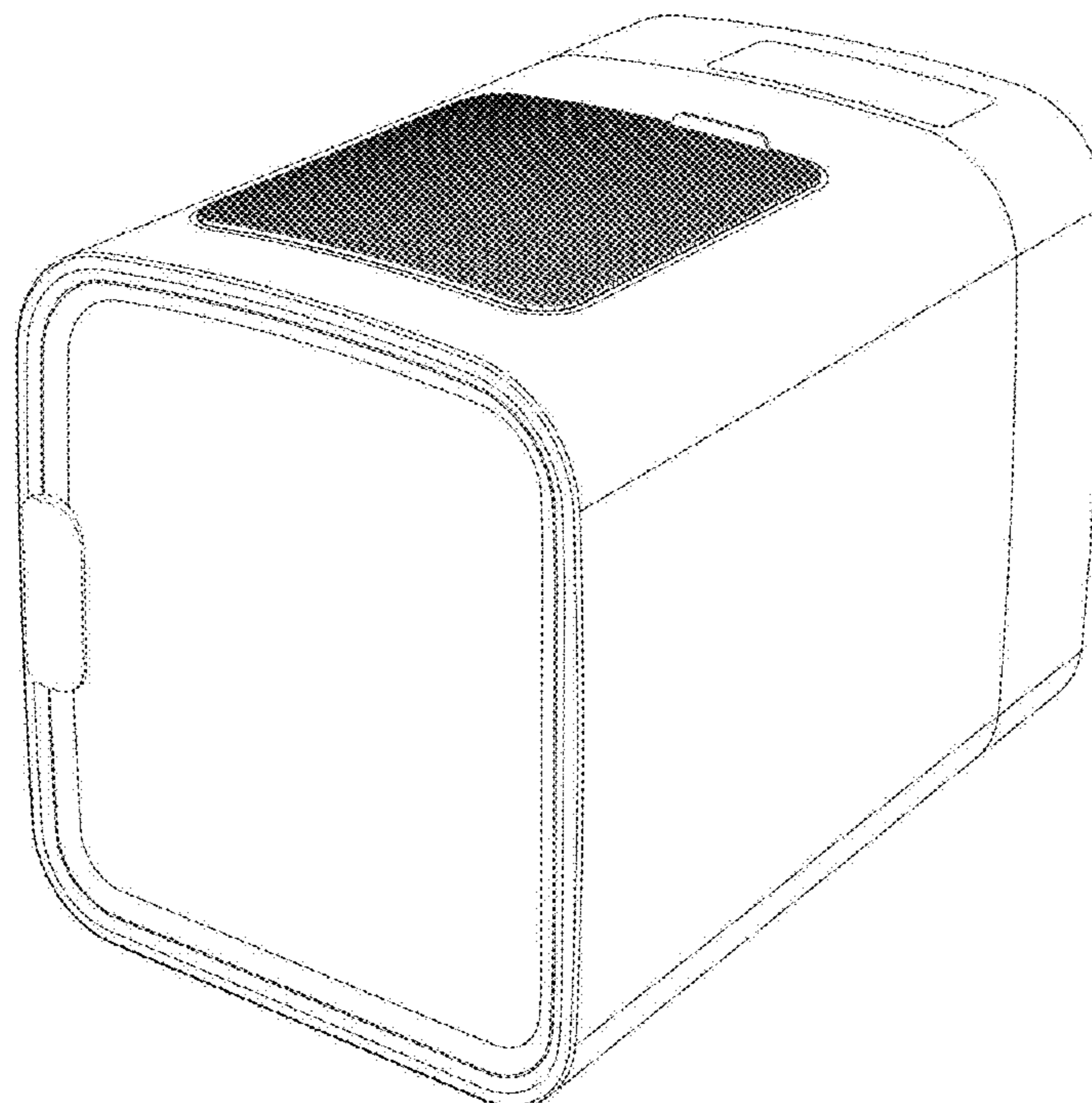


FIG. 1

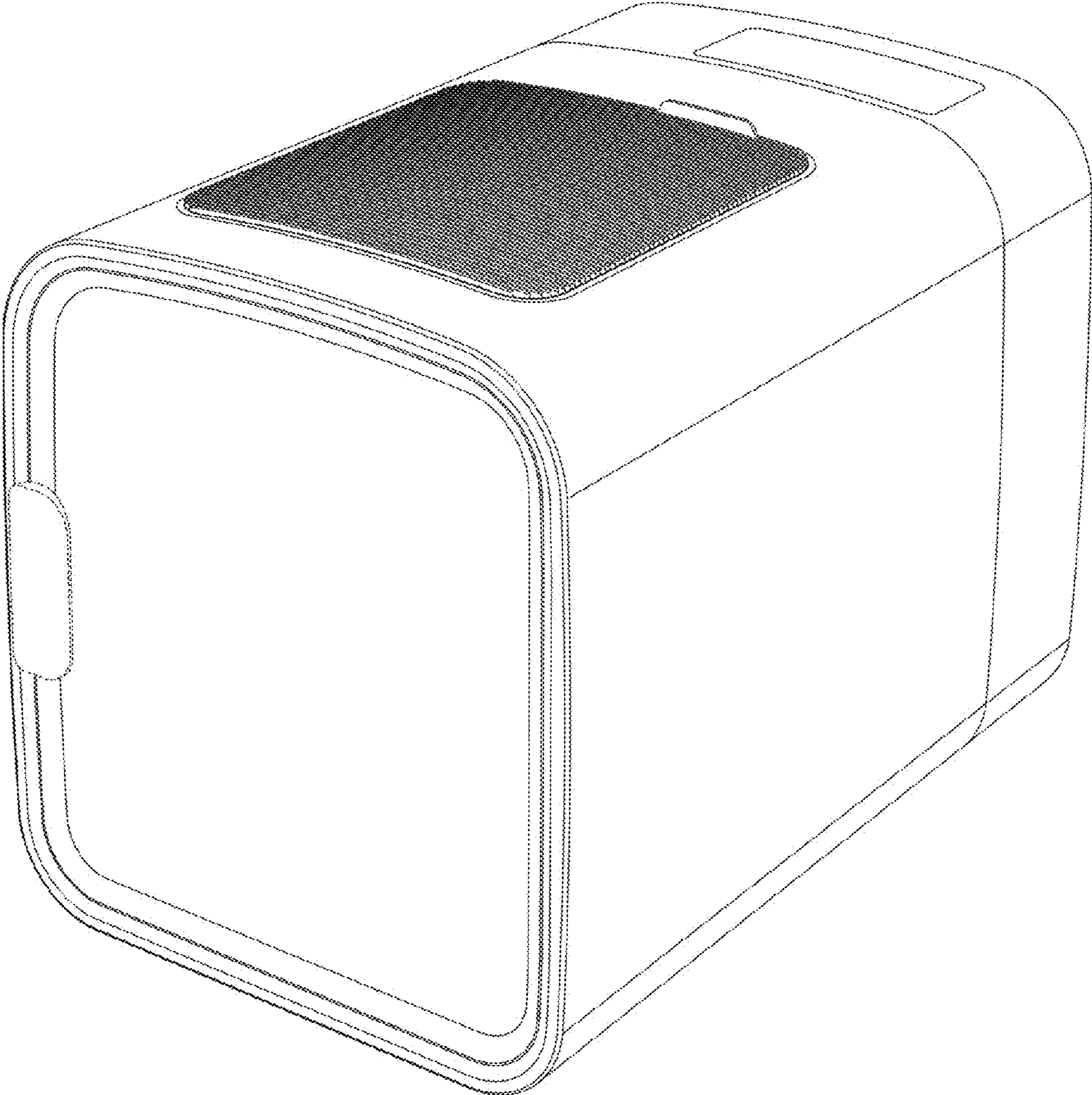




FIG. 2

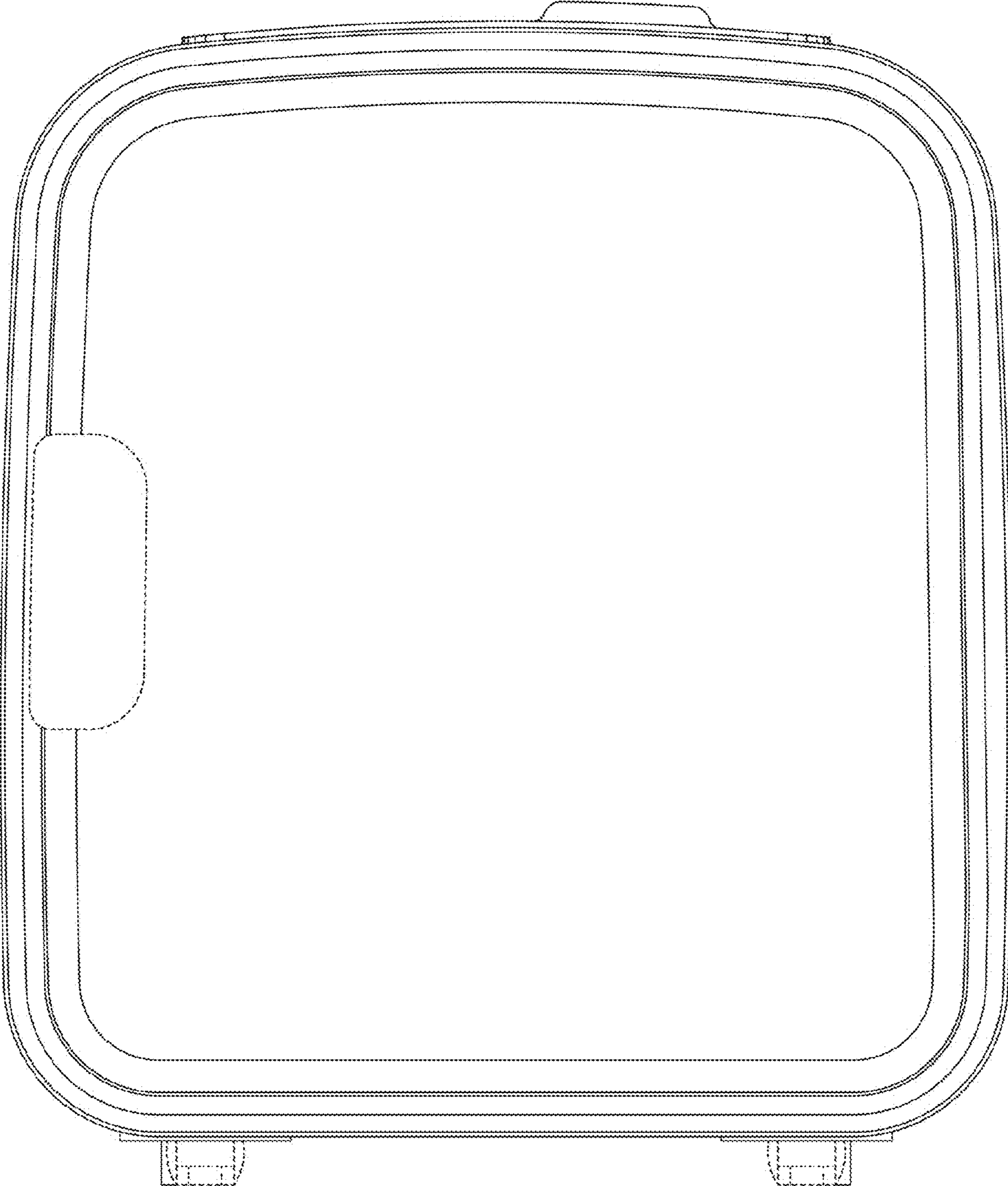


FIG. 3

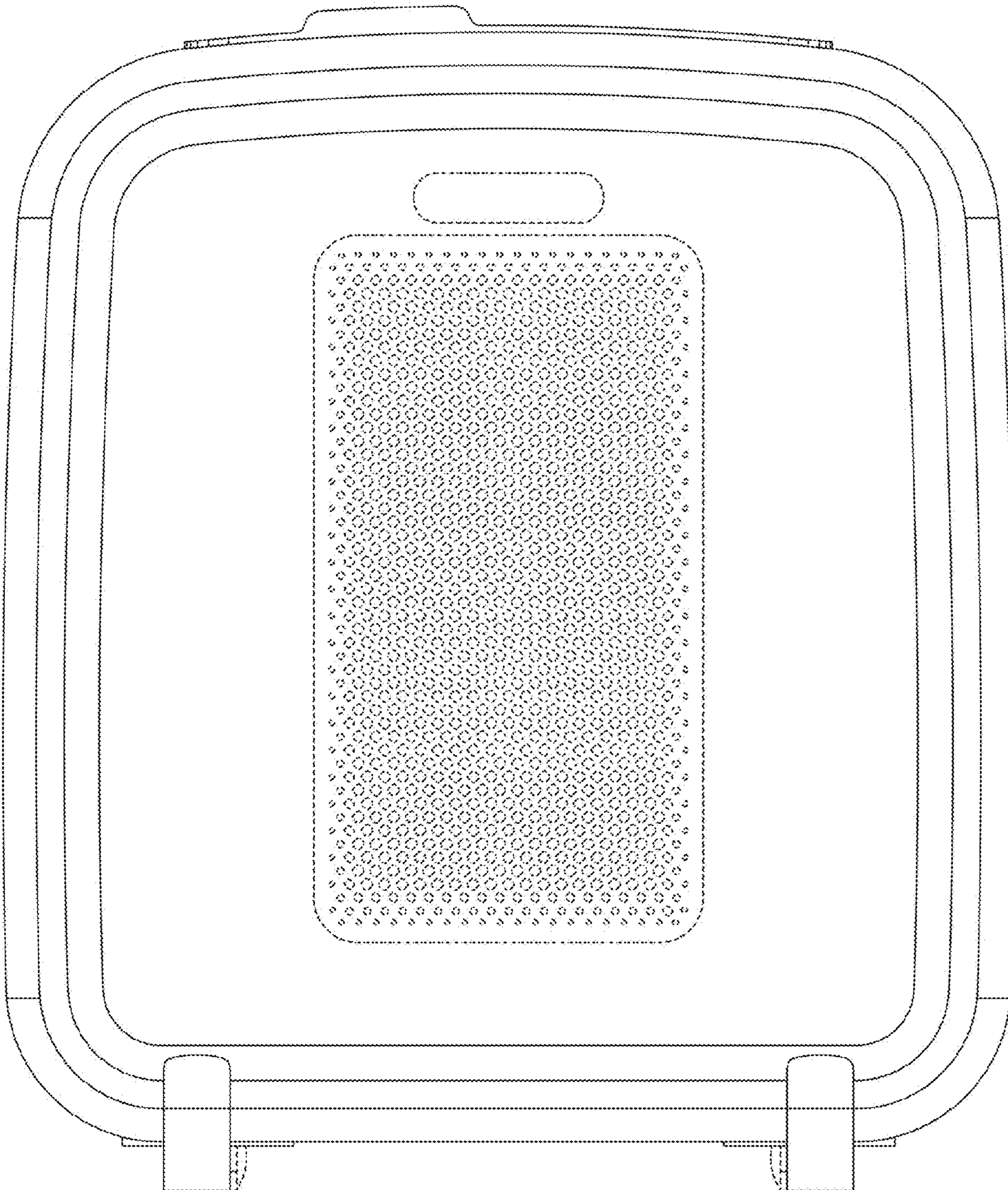


FIG. 4

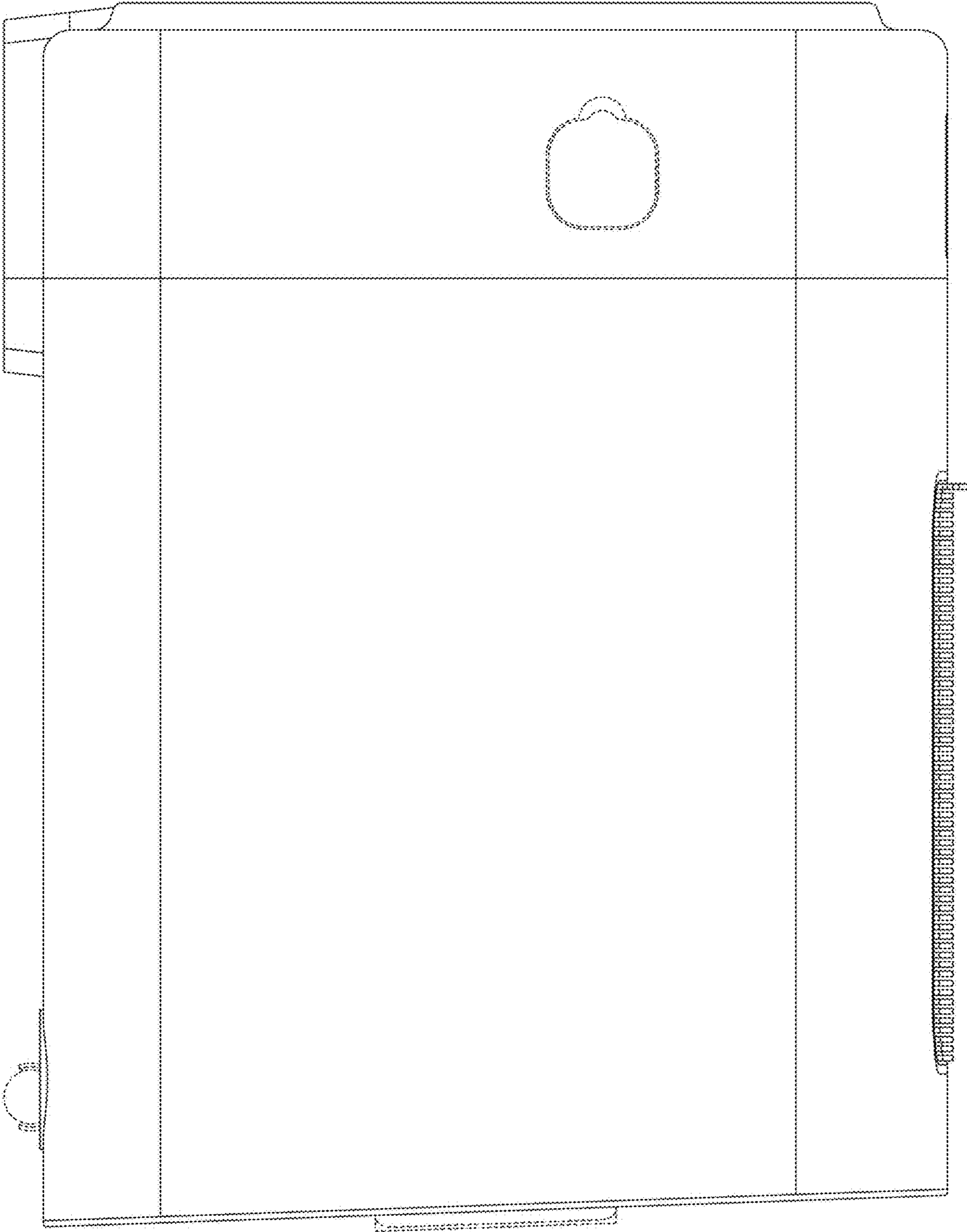


FIG. 5

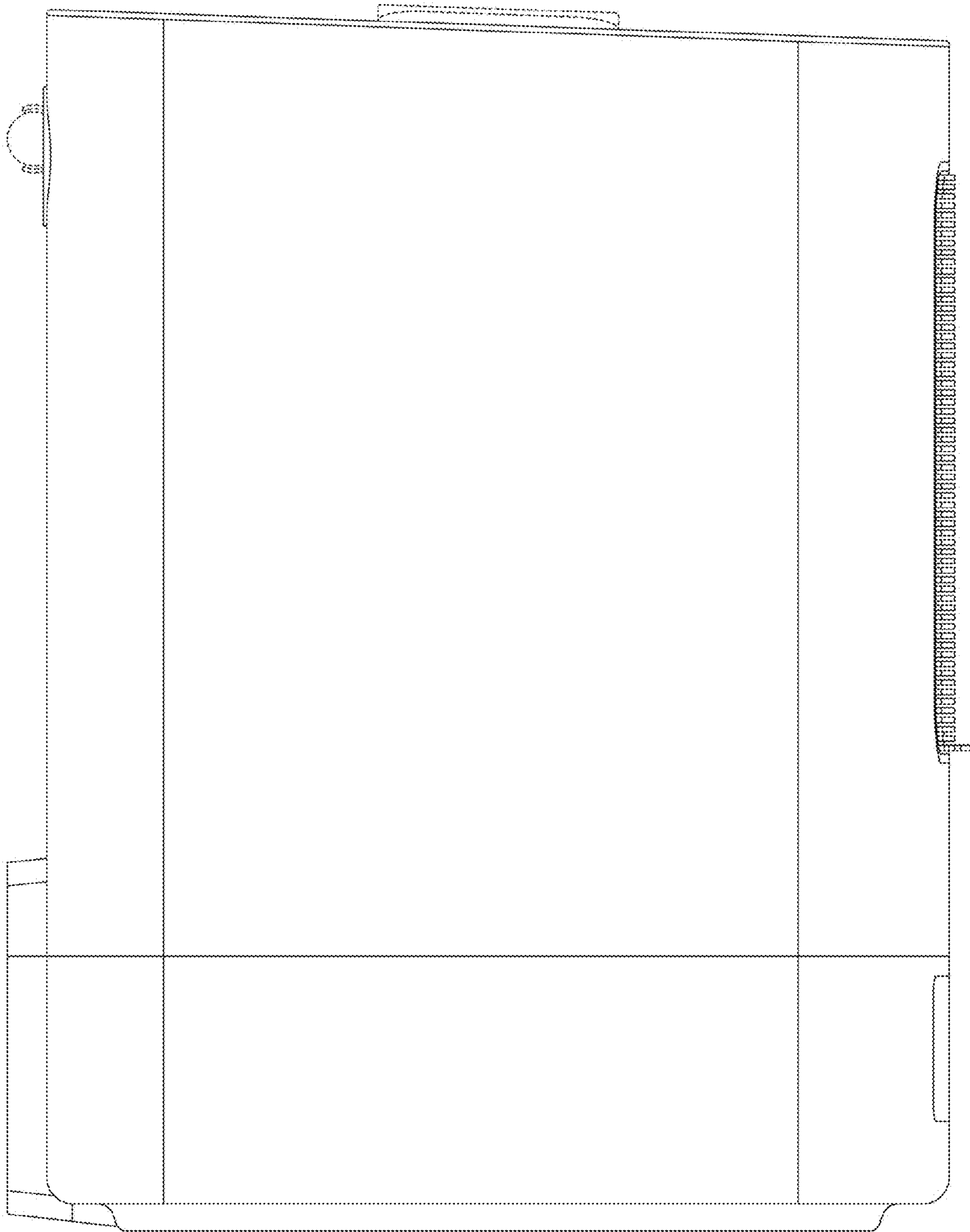




FIG. 6

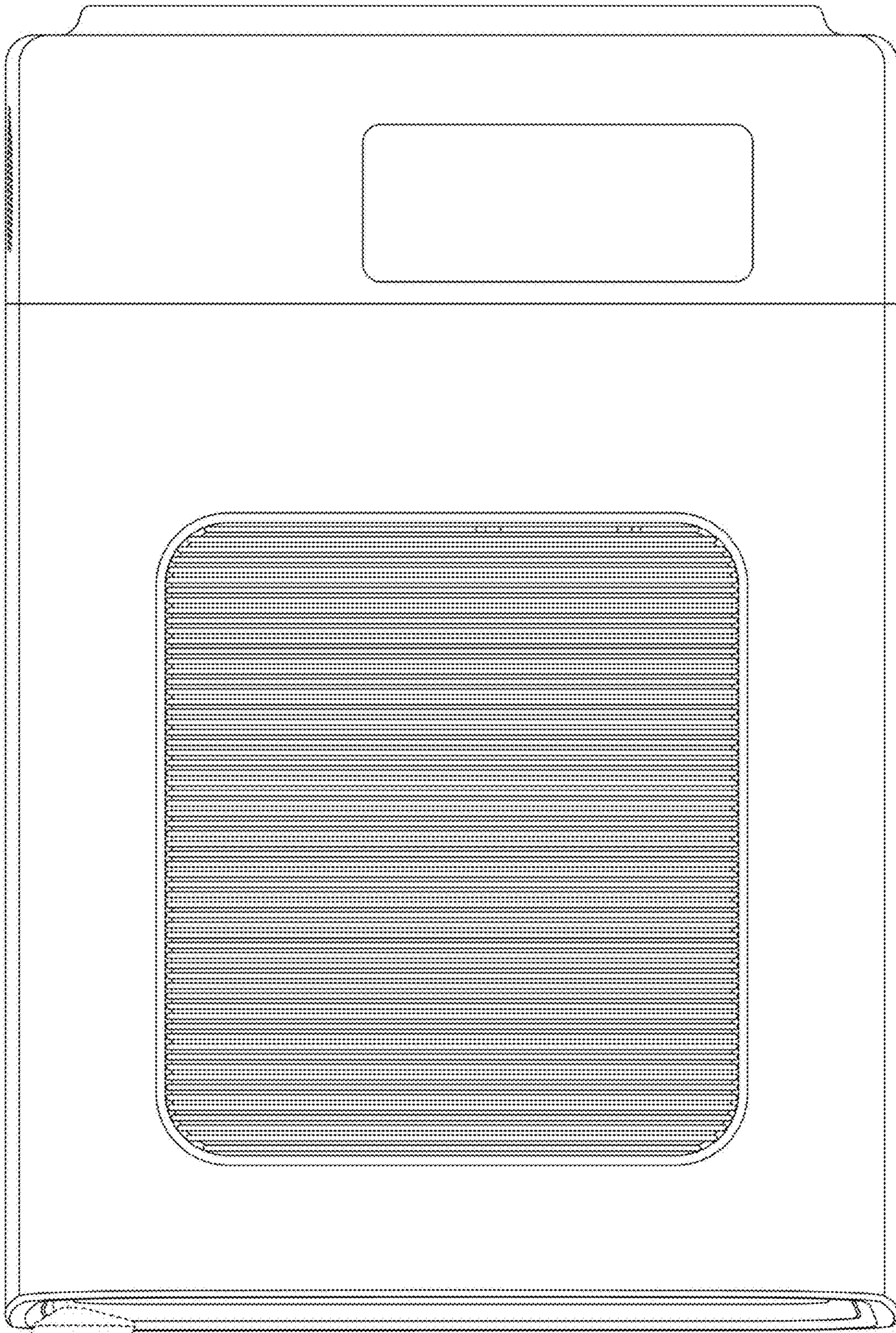


FIG. 7

