



US00D952266S

(12) **United States Design Patent** (10) **Patent No.:** **US D952,266 S**  
**Yoshimura** (45) **Date of Patent:** **\*\* May 17, 2022**

(54) **FEEDING VESSEL FOR PETS**  
(71) Applicant: **Wa-life Inc.**, Aichi (JP)  
(72) Inventor: **Kunihiro Yoshimura**, Inuyama (JP)  
(73) Assignee: **Wa-life Inc.**, Aichi (JP)  
(\*\*) Term: **15 Years**

D670,451 S \* 11/2012 Able ..... D30/129  
D745,228 S \* 12/2015 Scaba ..... D30/129  
D760,030 S \* 6/2016 Wilson ..... D30/129  
D790,280 S \* 6/2017 Hendifar ..... D7/537  
D870,518 S \* 12/2019 Morrison ..... D7/610  
D924,490 S \* 7/2021 Yan ..... D30/129  
D942,091 S \* 1/2022 Jin ..... D30/132  
2012/0017837 A1\* 1/2012 Crawford ..... A01K 5/0114  
119/61.1

(21) Appl. No.: **35/511,170**

(22) Filed: **Jul. 17, 2020**

(80) **Hague Agreement Data**

Int. Filing Date: **Jul. 17, 2020**  
Int. Reg. No.: **DM/209743**  
Int. Reg. Date: **Jul. 17, 2020**  
Int. Reg. Pub. Date: **Jan. 22, 2021**

(30) **Foreign Application Priority Data**

Jan. 20, 2020 (JP) ..... 2020-000860

(51) **LOC (13) Cl.** ..... **30-03**

(52) **U.S. Cl.**  
USPC ..... **D30/129; D7/558**

(58) **Field of Classification Search**  
USPC ..... D30/121, 123, 128, 129, 130, 132, 133;  
D7/524, 537, 558, 587  
CPC ..... A01K 5/0114  
See application file for complete search history.

(56) **References Cited**

**U.S. PATENT DOCUMENTS**

5,113,798 A \* 5/1992 Rera ..... A01K 5/0142  
119/51.5  
5,205,242 A \* 4/1993 Kasselmann ..... A01K 5/0142  
119/61.53  
6,330,956 B1 \* 12/2001 Willinger ..... B29C 45/14  
220/636  
D541,590 S \* 5/2007 Wasserman ..... D7/558  
D669,231 S \* 10/2012 Chance ..... D30/130

**OTHER PUBLICATIONS**

“Wa-Life Co, Ltd. Press Release: Ergonomic Cat Food Bowl from Nyagomi”. Found online Mar. 18, 2022 at value-press.com. Reference dated Jan. 28, 2020. Retrieved from <https://www.value-press.com/pressrelease/235166>.\*

“CB2: White Pedestal Bowl”. Found online Mar. 18, 2022 at cb2.com. Reference dated Sep. 7, 2019. Retrieved from [https://tineye.com/search/b24ac420c55c0d5ed9d08c487d95043375f75bba?sort=crawl\\_date&order=asc&page=1](https://tineye.com/search/b24ac420c55c0d5ed9d08c487d95043375f75bba?sort=crawl_date&order=asc&page=1).\*

(Continued)

*Primary Examiner* — Kendra Leslie Hamilton

(74) *Attorney, Agent, or Firm* — Kim IP Law Group LLC

(57) **CLAIM**

The ornamental design for a feeding vessel for pets, as shown and described.

**DESCRIPTION**

1. Feeding vessel for pets

1.1 : Front

1.2 : Left

1.3 : Right

1.4 : Back

1.5 : Top

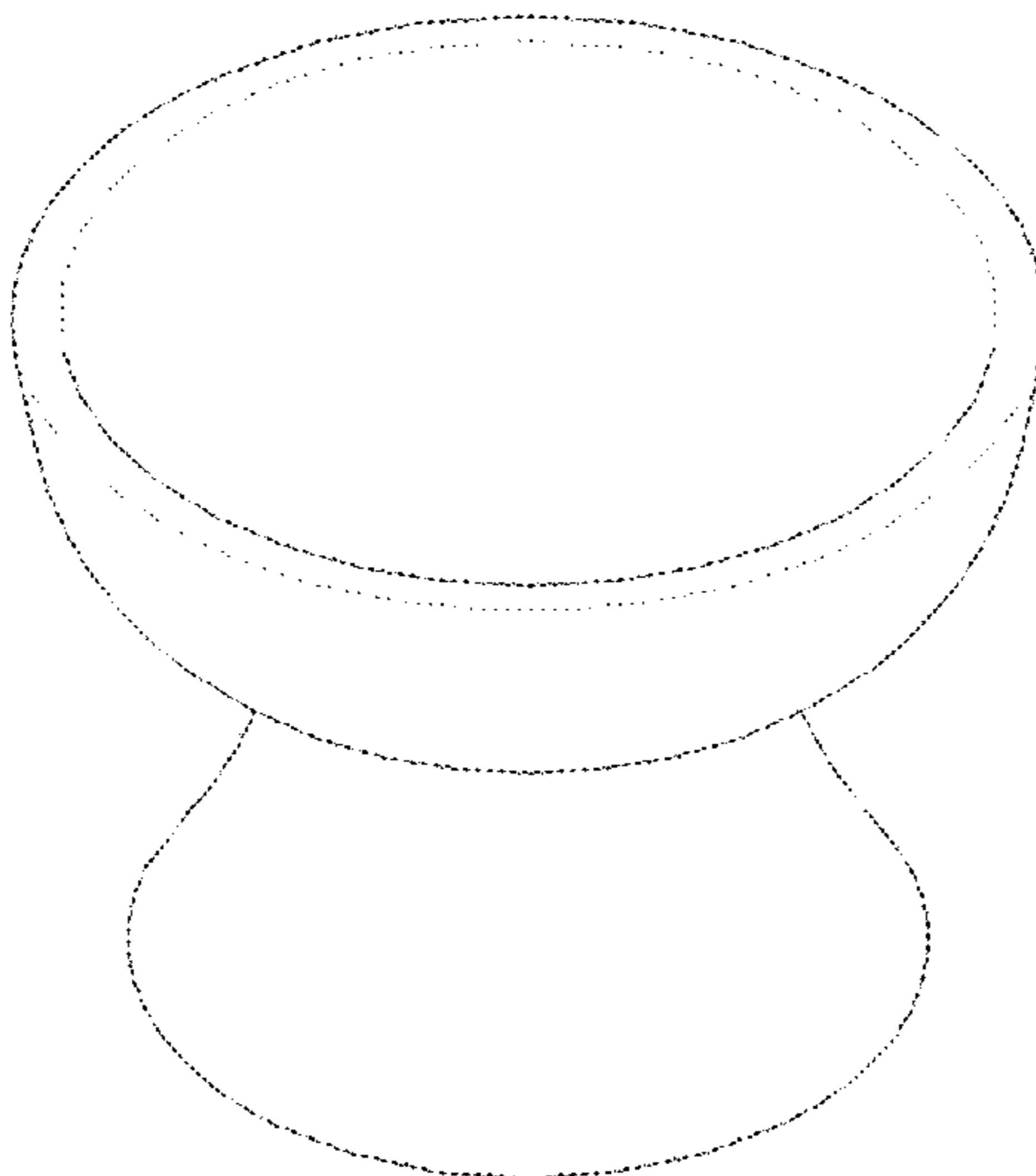
1.6 : Bottom

1.7 : Perspective

1.8 : Cross sectional

The 1.8 cross-sectional view is sectioned vertically at the center of the 1.1 front view.

**1 Claim, 8 Drawing Sheets**



(56)

**References Cited**

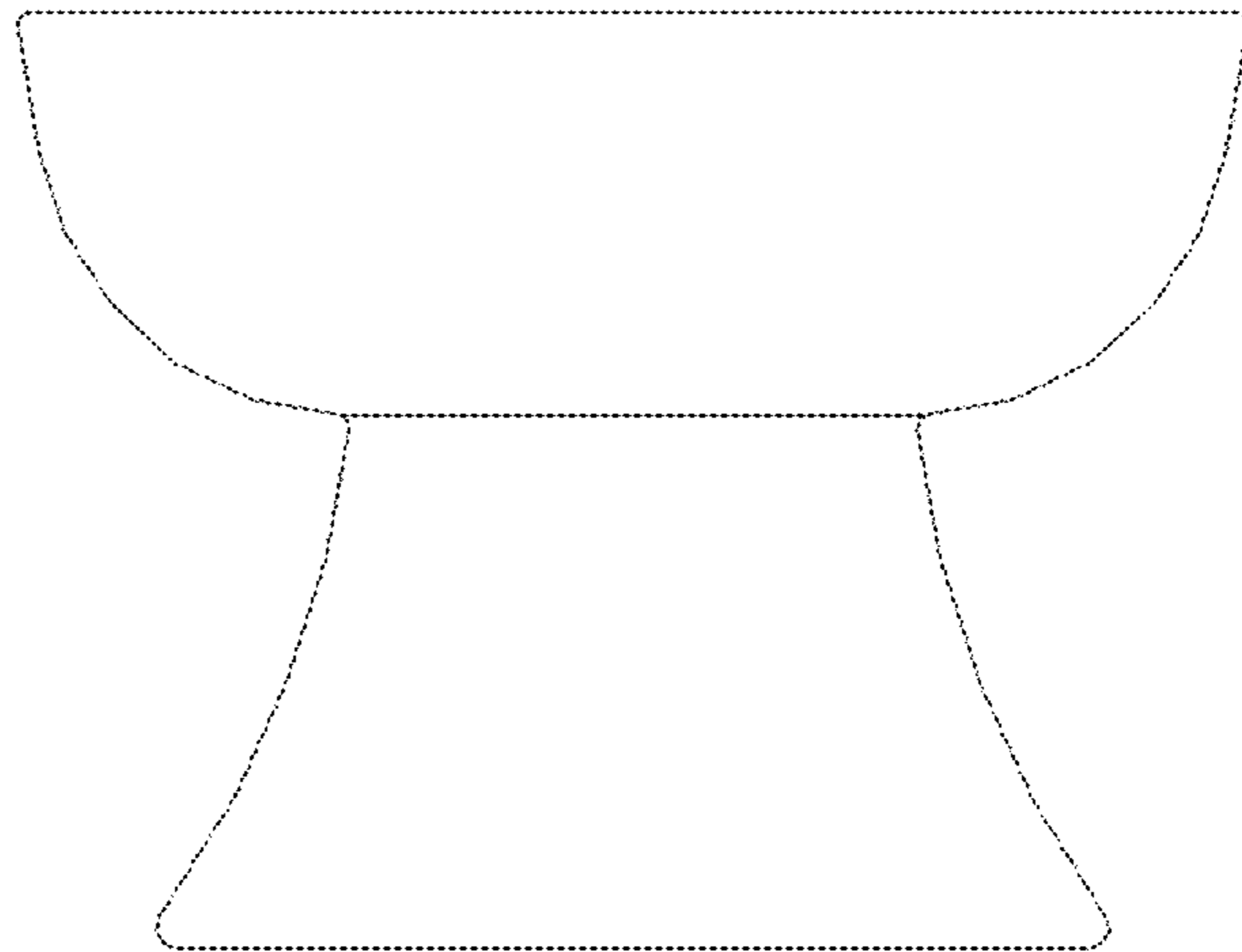
OTHER PUBLICATIONS

“Necoichi: Raised Cat Food Bowl”. Found online Mar. 18, 2022 at amazon.com. Reference dated May 13, 2014. Retrieved from <https://www.amazon.com/dp/B00KAV98ES/>.\*

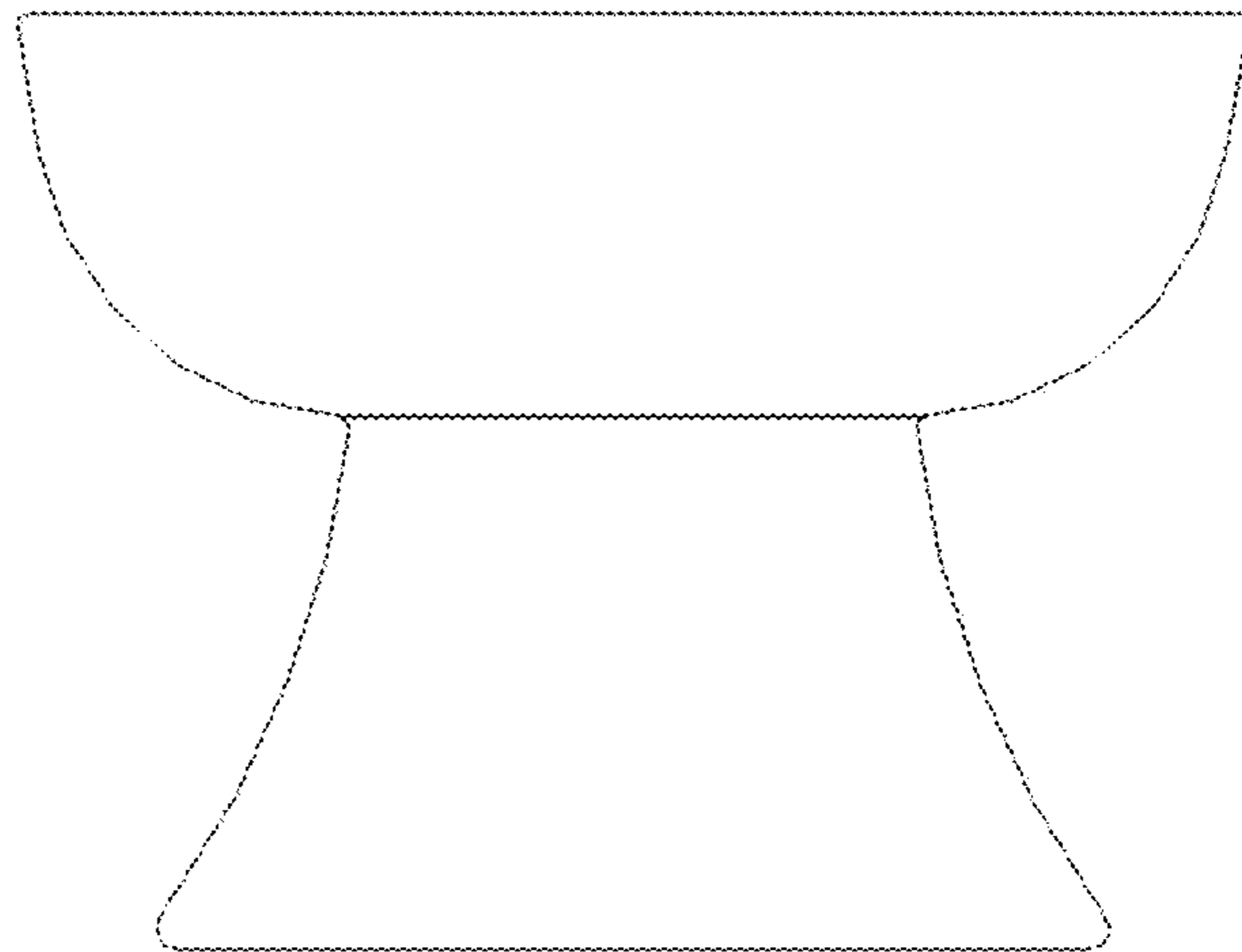
“Yangbaga: Raised Cat Bowl”. Found online Mar. 18, 2022 at amazon.co.uk. Reference dated Oct. 1, 2018. Retrieved from <https://www.amazon.co.uk/Yangbaga-Non-Skid-4-8x6-4in-Premium-Anti-Fall/dp/B07K19R7XX/>.\*

\* cited by examiner

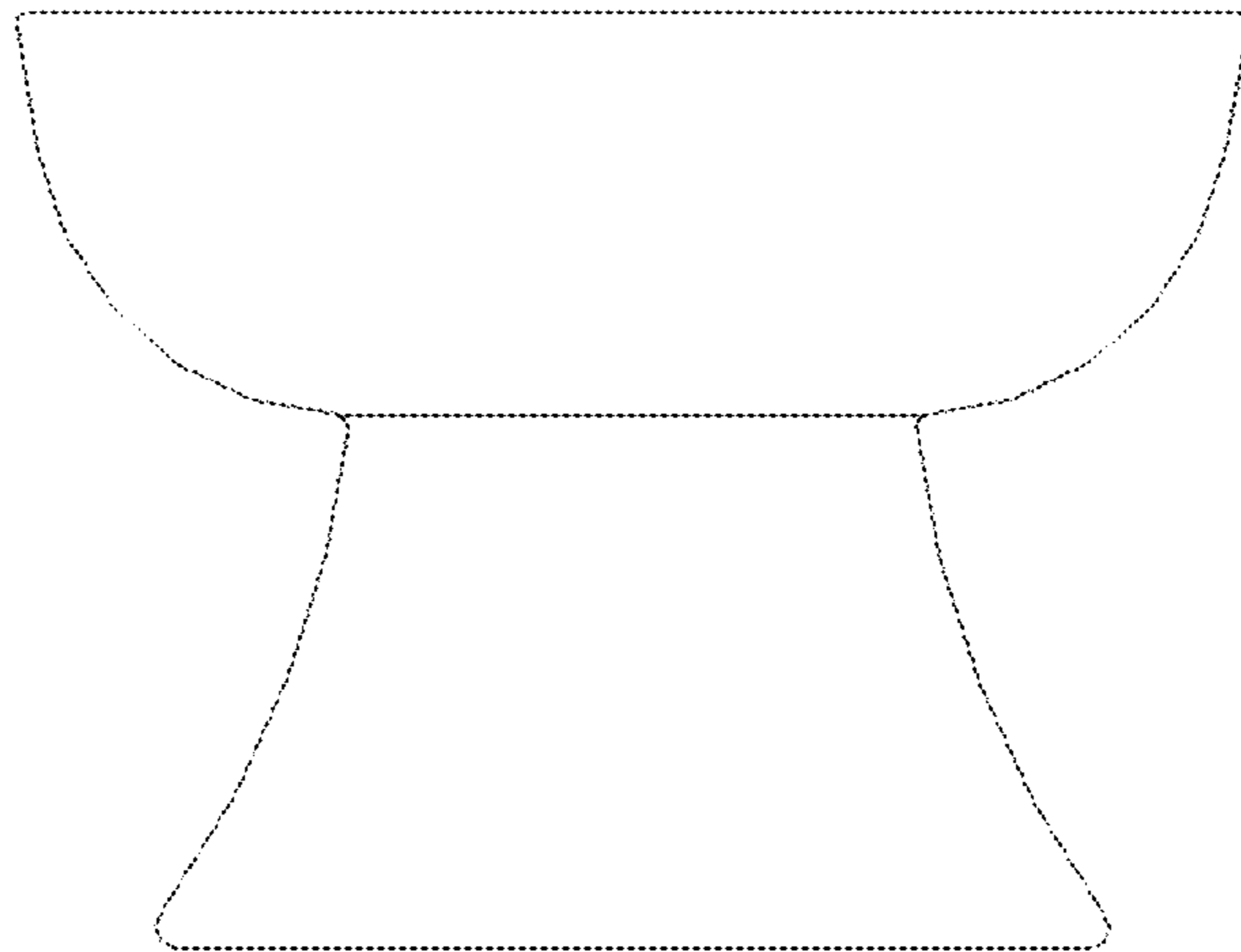
1.1



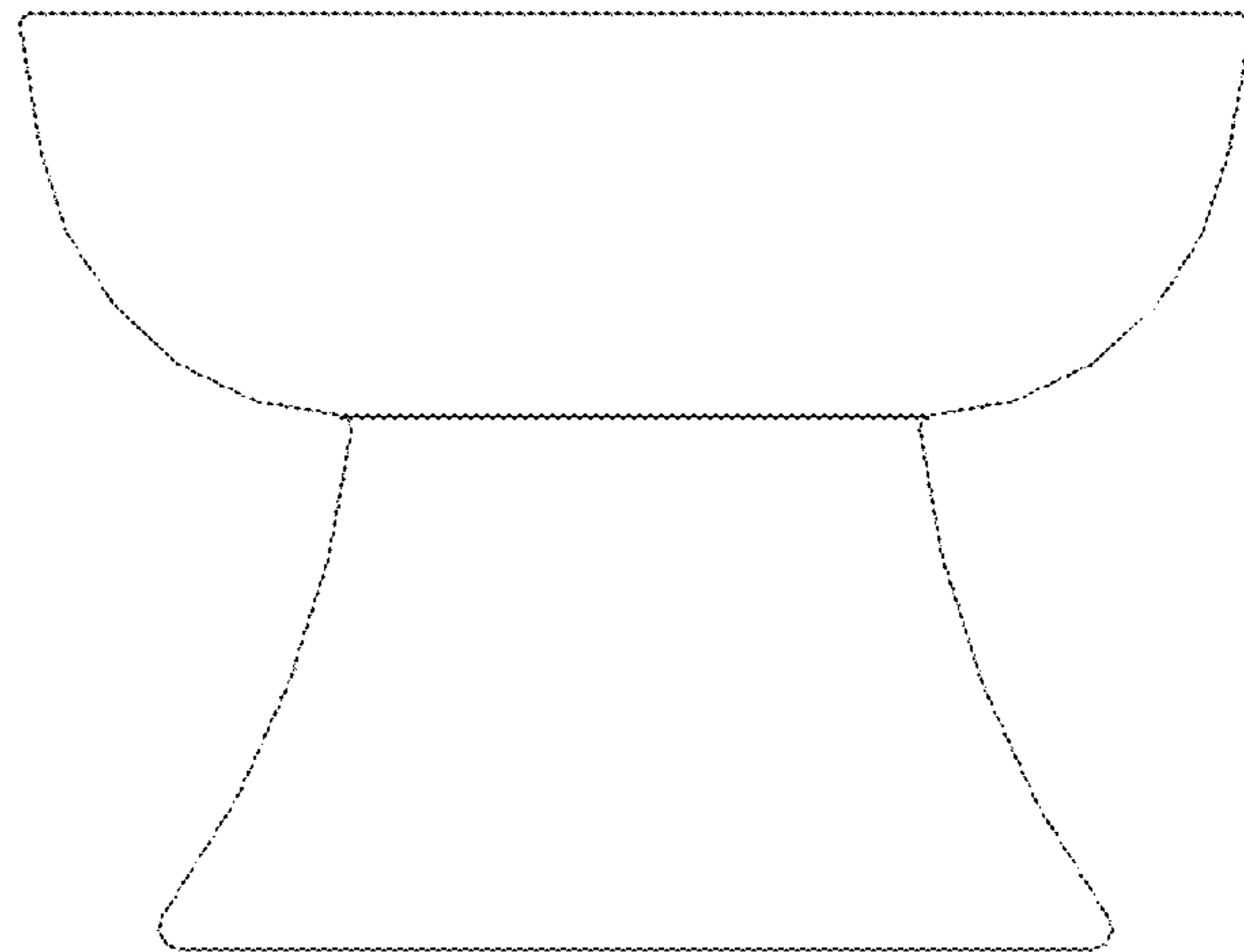
1.2



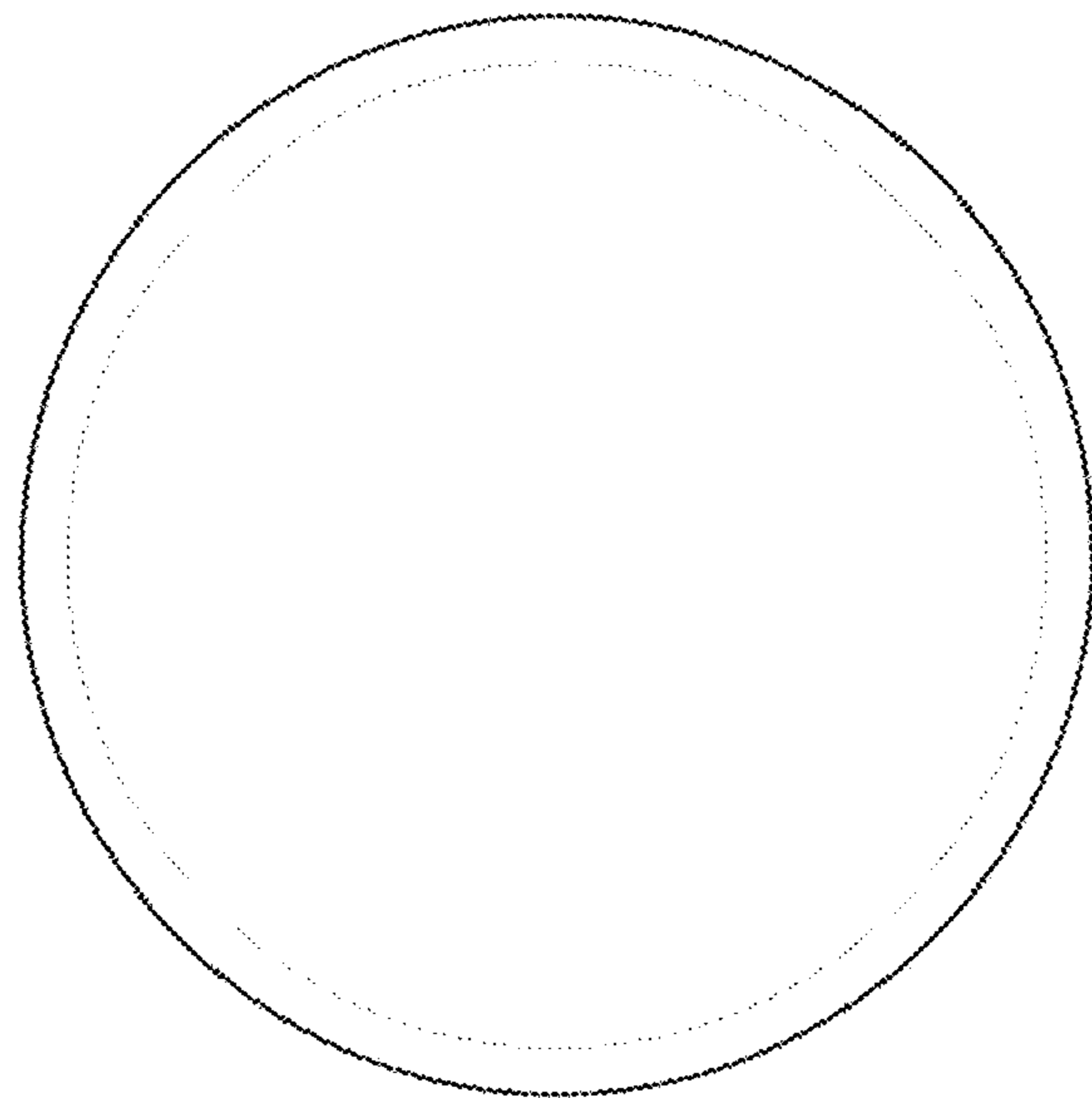
1.3



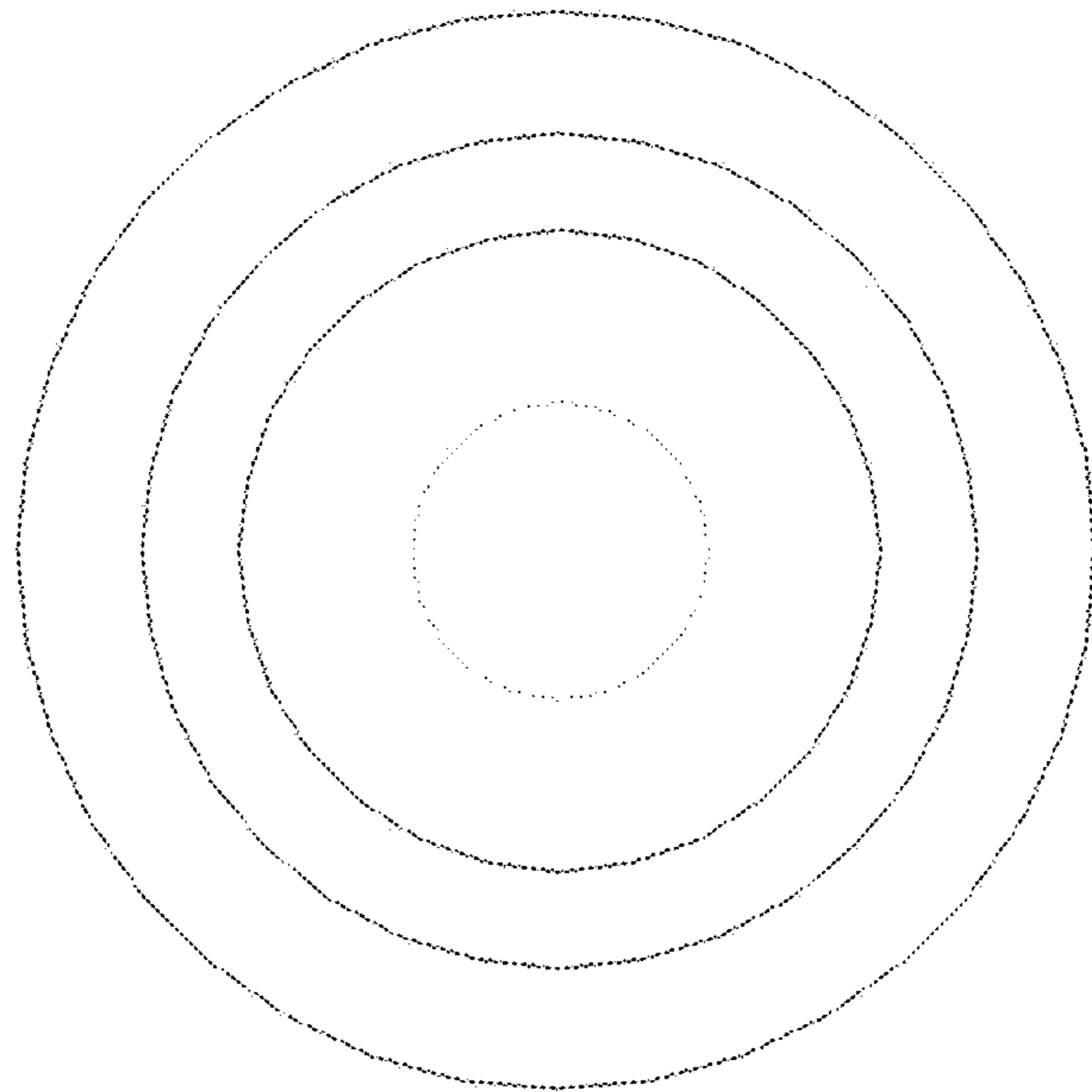
1.4



1.5

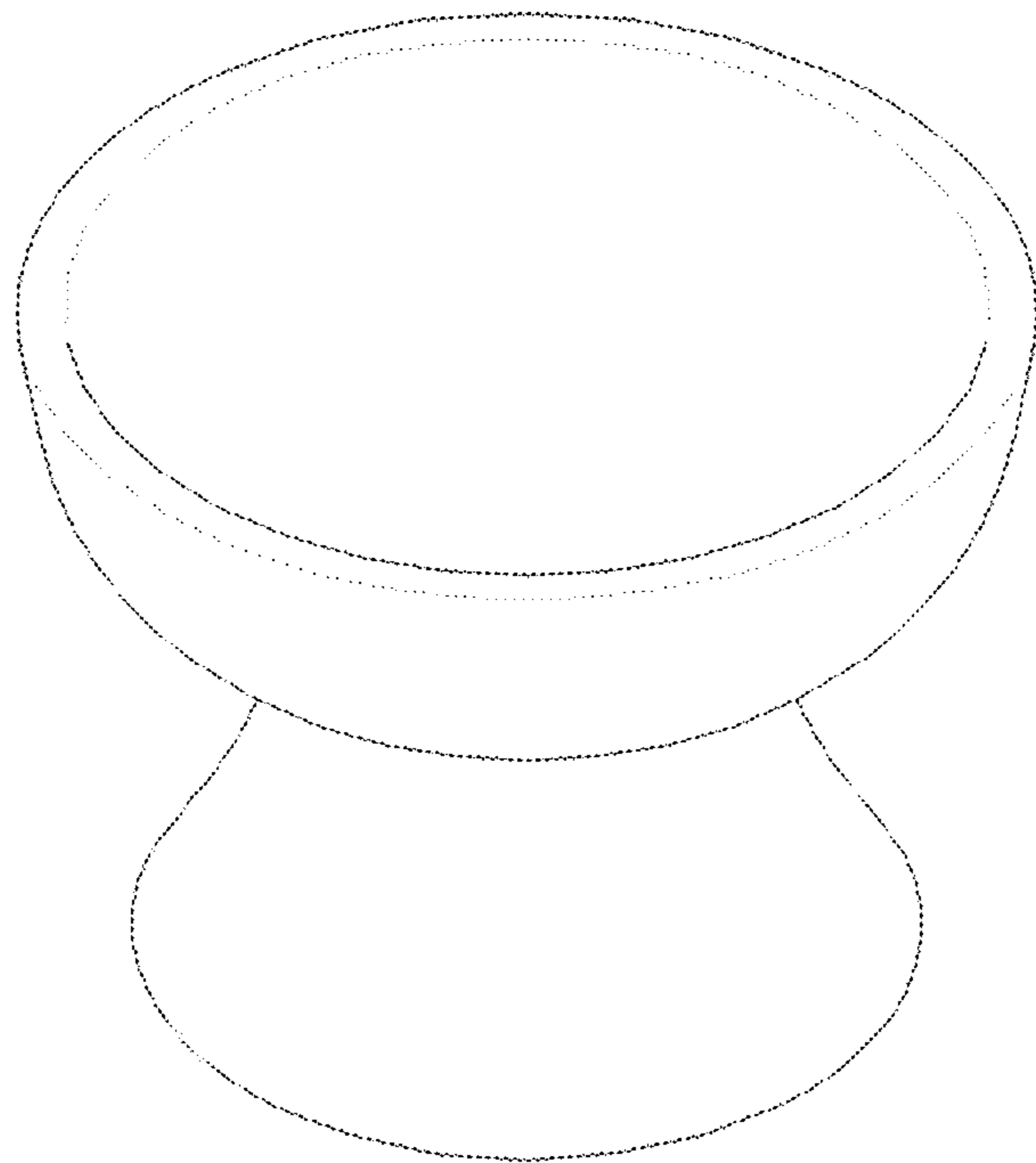


1.6





1.7



1.8

