



US00D952265S

(12) **United States Design Patent**
Septien Prieto

(10) **Patent No.:** **US D952,265 S**

(45) **Date of Patent:** **** May 17, 2022**

(54) **INDUSTRIAL FOOD DISPENSER MODEL FOR ANIMALS**

(71) Applicant: **Francisco Javier Septien Prieto,**
Guanajuato (MX)

(72) Inventor: **Francisco Javier Septien Prieto,**
Guanajuato (MX)

(**) Term: **15 Years**

(21) Appl. No.: **29/708,382**

(22) Filed: **Oct. 4, 2019**

(30) **Foreign Application Priority Data**

Jul. 11, 2019 (MX) MX/F/2019001855

(51) **LOC (13) Cl.** **30-03**

(52) **U.S. Cl.**
USPC **D30/121; D30/131**

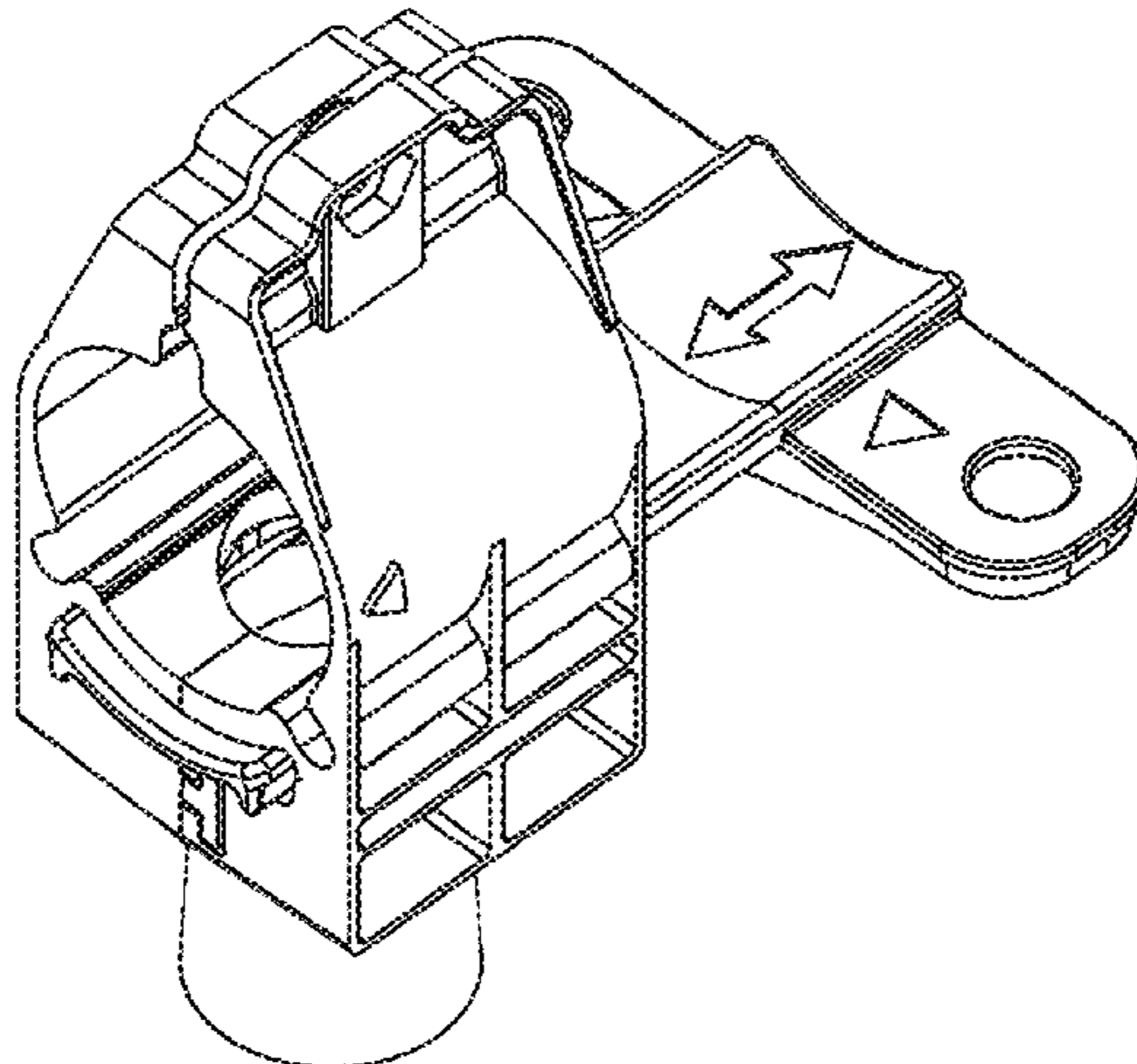
(58) **Field of Classification Search**
USPC D30/121, 124–128, 133, 110–112, 119,
D30/199, 122, 132; 119/51.01,
119/52.1–52.4, 57.8, 57.9, 462, 52.8, 458,
119/459, 463, 464, 465, 468, 475, 53.5,
119/56.1, 433–435, 467, 469, 72.5, 51.04,
119/57.91, 51.11, 61.2, 57.5, 57.6, 51.13,
119/500, 501; 248/74.2, 219.1, 222.11,
248/224.7, 229.1, 230.1, 689; 239/7, 687,
239/379, 397.5; 222/199, 485, 486, 548,
222/555; 220/200, 227, 247, 262;
221/174, 185.1, 289, 295, 296, 559;
454/35; 209/270, 283, 244; 52/194, 192;
49/279, 344, 357; D34/28; D25/122;
D23/266
CPC A01K 31/12; A01K 39/00; A01K 39/01;
A01K 39/0113; A01K 39/012; A01K
39/04; A01K 39/06; A01K 39/02; A01K
39/0206; A01K 39/0125; A01K 39/014
See application file for complete search history.

(56) **References Cited**

U.S. PATENT DOCUMENTS

D209,410 S * 11/1967 Grant D21/374
3,523,519 A * 8/1970 Hostetler A01K 31/17
119/457

3,643,951 A * 2/1972 Breslow A63F 7/02
273/108
3,643,954 A * 2/1972 Meyer A63F 9/02
273/119 A
3,674,271 A * 7/1972 De Gelder A63H 1/00
273/115
3,841,636 A * 10/1974 Meyer A63F 9/14
273/110
D238,388 S * 1/1976 Monroe D21/338
D246,609 S * 12/1977 Kanno D21/312
4,292,756 A * 10/1981 Jaworski A63H 1/00
446/246
4,375,791 A * 3/1983 Peppier A01K 39/01
119/53
4,488,509 A * 12/1984 Awalt A01K 39/0125
119/53
4,552,095 A * 11/1985 Segalla A01K 39/0125
119/53
4,630,822 A * 12/1986 Massaglia A63F 9/16
273/118 A
4,982,961 A * 1/1991 Ichimura A63F 9/16
273/109
5,007,380 A * 4/1991 Badia A01K 39/0125
119/53
5,022,421 A * 6/1991 Johnson F16L 41/065
137/15.13
5,113,797 A * 5/1992 van Daele A01K 39/0125
119/53
5,199,382 A * 4/1993 Adriano A01K 39/0125
119/52.1
5,406,907 A * 4/1995 Hart A01K 39/0125
119/53
5,462,017 A * 10/1995 Pollock A01K 39/0125
119/57.4
5,497,730 A * 3/1996 van Daele A01K 39/0125
119/53
D371,578 S * 7/1996 Henderson D21/338
5,642,688 A * 7/1997 Bannier A01K 39/0125
119/53
5,718,187 A * 2/1998 Pollock A01K 39/0125
119/52.4
5,875,733 A * 3/1999 Chen A01K 39/0125
119/57.4
5,927,232 A * 7/1999 Pollock A01K 39/0125
119/53
6,032,827 A * 3/2000 Zettle B65D 43/0212
220/788
D426,682 S * 6/2000 Kreger D30/121
D460,839 S * 7/2002 Kreger D30/122
6,532,895 B1 * 3/2003 Andersen A01K 39/0125
119/57.4



| | | | | | | | | | |
|--------------|------|---------|----------------------|---------------------------|--------------|------|---------|----------------------|---------------------------|
| 6,655,317 | B1 * | 12/2003 | Stuedler, Jr. | A01K 39/0125 119/53 | 2013/0056929 | A1 * | 3/2013 | Rehkemper | A63H 17/004 273/129 R |
| 7,228,817 | B2 * | 6/2007 | Busse | A01K 39/0125 119/52.1 | 2013/0139755 | A1 * | 6/2013 | Stuedler, Jr. | A01K 39/0125 119/51.01 |
| D563,102 | S * | 3/2008 | Cornwell | D3/294 | 2013/0139758 | A1 * | 6/2013 | Stuedler, Jr. | A01K 39/0125 119/53 |
| D563,671 | S * | 3/2008 | Cornwell | D3/294 | 2013/0269619 | A1 * | 10/2013 | Hung | A01K 39/01 119/52.4 |
| 7,389,987 | B1 * | 6/2008 | Paukert | A63F 7/025 273/108.1 | 2016/0021853 | A1 * | 1/2016 | Septien Prieto ... | A01K 39/0125 119/52.1 |
| 7,552,697 | B2 * | 6/2009 | Busse | A01K 39/01 119/52.1 | 2016/0030848 | A1 * | 2/2016 | Lema | A63F 13/73 463/9 |
| D606,126 | S * | 12/2009 | Ujita | D21/397 | 2016/0073615 | A1 * | 3/2016 | Van Kerrebroeck | B08B 3/02 134/22.12 |
| 8,137,151 | B2 * | 3/2012 | Kenney | A63H 7/00 446/330 | 2016/0095300 | A1 * | 4/2016 | Stuedler, Jr. | A01K 5/0208 119/51.01 |
| D701,654 | S * | 3/2014 | Septien Prieto | D30/121 | 2016/0270376 | A1 * | 9/2016 | Cole | A01K 39/0125 |
| D715,623 | S * | 10/2014 | Holtby | D8/356 | 2016/0375354 | A1 * | 12/2016 | Francis | A63F 9/16 463/16 |
| 9,392,772 | B2 * | 7/2016 | Stuedler, Jr. | A01K 39/01 | 2017/0239558 | A1 * | 8/2017 | Shindo | A63F 9/16 |
| D786,511 | S * | 5/2017 | Septien Prieto | D30/121 | 2017/0245475 | A1 * | 8/2017 | Dhumal | A01K 39/0125 |
| 9,713,320 | B2 * | 7/2017 | Septien Prieto ... | A01K 39/0125 | 2017/0333783 | A1 * | 11/2017 | Shindo | A63H 1/00 |
| D806,801 | S * | 1/2018 | Shindo | D21/338 | 2019/0184278 | A1 * | 6/2019 | Campos | A63H 1/04 |
| 9,901,811 | B2 * | 2/2018 | Shindo | A63F 9/16 | 2020/0139224 | A1 * | 5/2020 | Schultheis | A63H 1/00 |
| 9,962,615 | B2 * | 5/2018 | Lema | A63F 13/213 | 2021/0060411 | A1 * | 3/2021 | Schultheis | A63F 9/16 |
| D869,560 | S * | 12/2019 | Schultheis | D21/338 | 2021/0092940 | A1 * | 4/2021 | Kuo | A01K 39/01 |
| D883,389 | S * | 5/2020 | Schultheis | D21/338 | 2021/0153481 | A1 * | 5/2021 | Corti | A01K 39/0125 |
| D884,078 | S * | 5/2020 | Hama | D21/338 | 2021/0220724 | A1 * | 7/2021 | Schultheis | A63F 9/16 |
| D884,797 | S * | 5/2020 | Schultheis | D21/338 | 2021/0227798 | A1 * | 7/2021 | Camargo | A01K 39/0125 |
| D886,903 | S * | 6/2020 | Ishii | D21/338 | 2021/0345585 | A1 * | 11/2021 | Plouzen | A01K 39/014 |
| 10,702,767 | B2 * | 7/2020 | Campos | A63F 9/16 | | | | | |
| D900,228 | S * | 10/2020 | Schultheis | D21/338 | | | | | |
| D904,521 | S * | 12/2020 | Schultheis | D21/338 | | | | | |
| D912,157 | S * | 3/2021 | Hama | D21/338 | | | | | |
| 11,154,769 | B2 * | 10/2021 | Schultheis | A63F 9/16 | | | | | |
| 2002/0139310 | A1 * | 10/2002 | Hight | A01K 5/0114 119/57.1 | | | | | |
| 2003/0056730 | A1 * | 3/2003 | Corti | A01K 39/0125 119/53 | | | | | |
| 2003/0079692 | A1 * | 5/2003 | Stuedler, Jr. | A01K 39/0213 119/72.5 | | | | | |
| 2004/0025796 | A1 * | 2/2004 | Cole | A01K 39/0125 119/55 | | | | | |
| 2005/0072365 | A1 * | 4/2005 | Busses | A01K 39/01 119/57.7 | | | | | |
| 2006/0196434 | A1 * | 9/2006 | Cole | A01K 39/0125 119/52.4 | | | | | |
| 2007/0021029 | A1 * | 1/2007 | Weidetz | A63H 1/04 446/256 | | | | | |
| 2007/0051318 | A1 * | 3/2007 | Cole | A01K 1/10 119/57.1 | | | | | |
| 2007/0215056 | A1 * | 9/2007 | Kreger | A01K 39/0213 119/72.5 | | | | | |
| 2007/0216090 | A1 * | 9/2007 | Brown | A63H 1/00 273/108 | | | | | |
| 2008/0257270 | A1 * | 10/2008 | Slankard | A01K 39/0125 119/53 | | | | | |
| 2009/0000555 | A1 * | 1/2009 | Keirse | A01K 39/0125 119/52.1 | | | | | |
| 2009/0253343 | A1 * | 10/2009 | Kitamura | A63F 9/16 446/256 | | | | | |
| 2009/0253349 | A1 * | 10/2009 | Iwakoshi | A63H 18/14 446/429 | | | | | |
| 2009/0320763 | A1 * | 12/2009 | Cole | A01K 39/0125 119/53 | | | | | |
| 2010/0159798 | A1 * | 6/2010 | Bertrand | A63H 1/02 446/259 | | | | | |
| 2010/0320682 | A1 * | 12/2010 | Derrah | A63F 9/14 273/108.1 | | | | | |
| 2011/0094447 | A1 * | 4/2011 | Keirse | A01K 39/012 119/52.1 | | | | | |
| 2011/0107972 | A1 * | 5/2011 | Keirse | A01K 39/0125 119/51.01 | | | | | |
| 2011/0189921 | A1 * | 8/2011 | Andersen | A63H 33/22 446/242 | | | | | |
| 2011/0239948 | A1 * | 10/2011 | Pirovano | A01K 39/01 119/57.1 | | | | | |
| 2012/0199077 | A1 * | 8/2012 | Cottam | A01K 39/0125 119/52.1 | | | | | |

* cited by examiner

Primary Examiner — Susan Moon Lee
(74) *Attorney, Agent, or Firm* — Loza & Loza, LLP;
Heidi Eisenhut

(57) **CLAIM**

The ornamental design for an industrial food dispenser model for animals, as shown and described.

DESCRIPTION

FIG. 1 is a top right perspective view of an industrial food dispenser model for animals of my invention;
FIG. 2 is an exploded perspective view in a first mode of the industrial food dispenser model for animals of FIG. 1;
FIG. 3 is a front view in a first embodiment of the industrial food dispenser model for animals of FIG. 1;
FIG. 4 is a bottom view in a first embodiment of the industrial food dispenser model for animals of FIG. 1;
FIG. 5 is a top view in a first embodiment of the industrial food dispenser model for animals of FIG. 1;
FIG. 6 is a rear view in a first embodiment of the industrial food dispenser model for animals of FIG. 1;
FIG. 7 is a right side view of a first mode of the industrial food dispenser model for animals of FIG. 1;
FIG. 8 is a left side view of a first mode of the industrial food dispenser model for animals of FIG. 1;
FIG. 9 is an exploded isometric view in a second embodiment of the industrial food dispenser model for animals of FIG. 1;
FIG. 10 is a first side view in a second embodiment of the industrial food dispenser model for animals of FIG. 1; and,
FIG. 11 is a second side view in a second embodiment of the industrial food dispenser model for animals of FIG. 1.

1 Claim, 11 Drawing Sheets

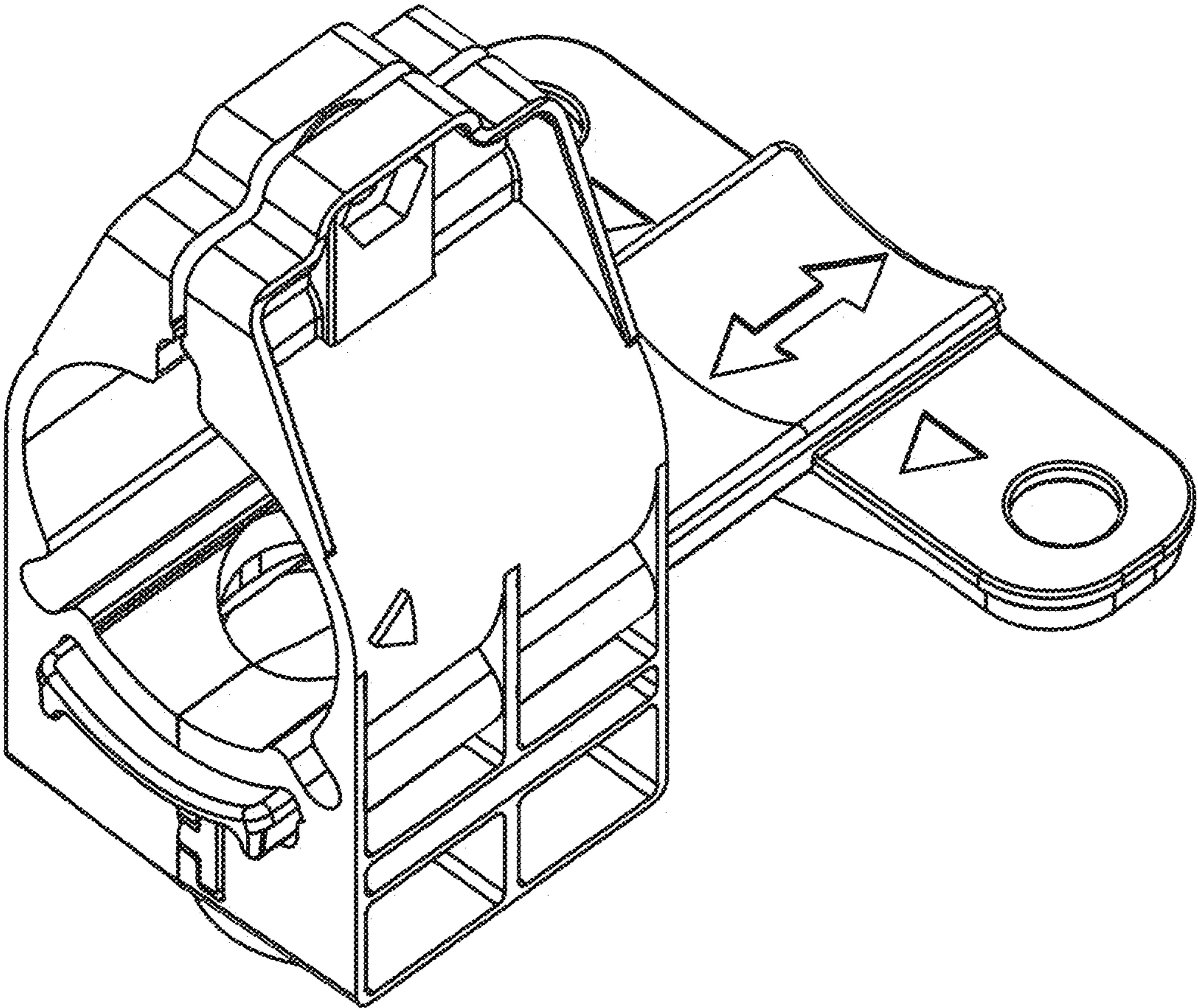


Fig. 1

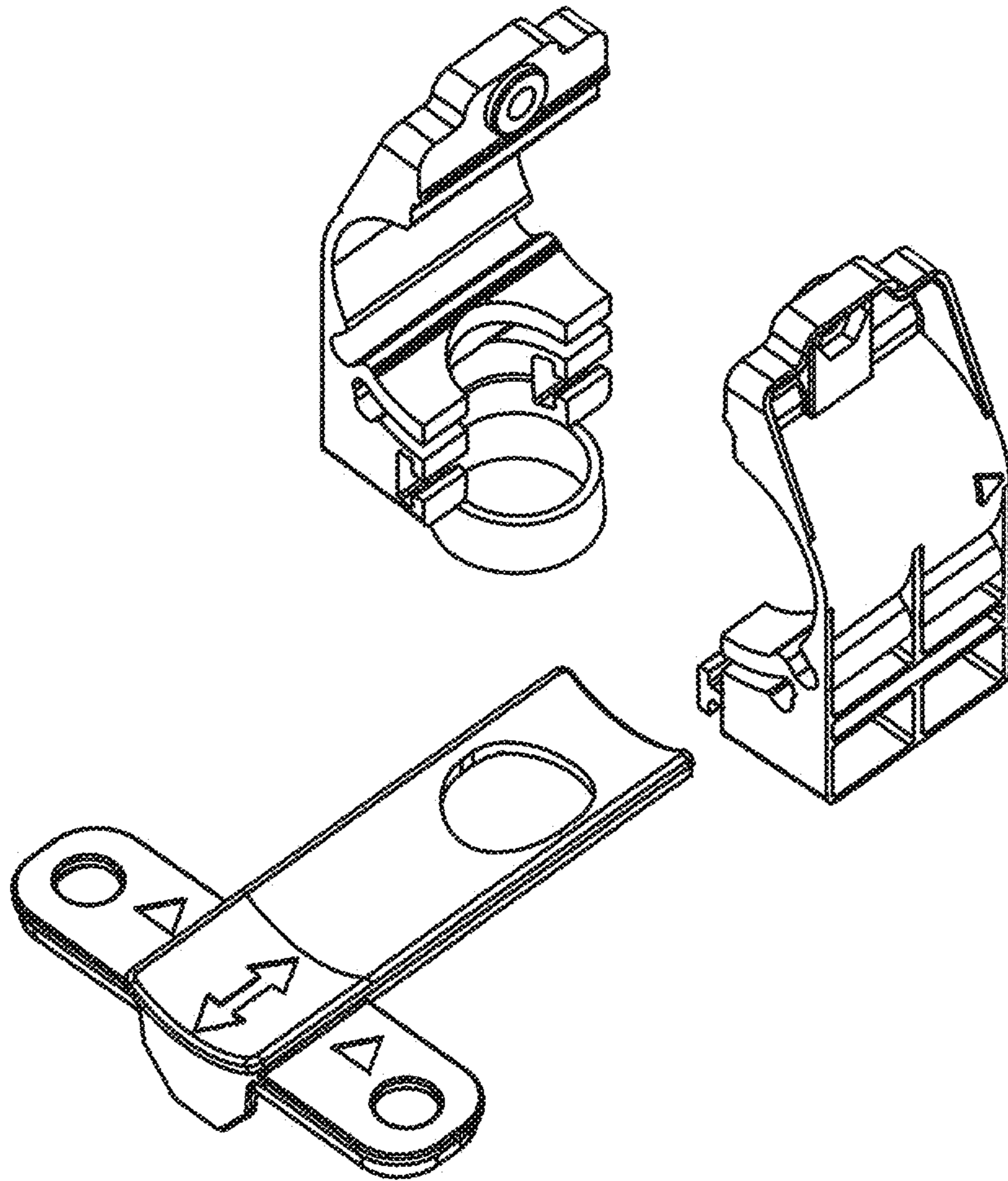


Fig. 2

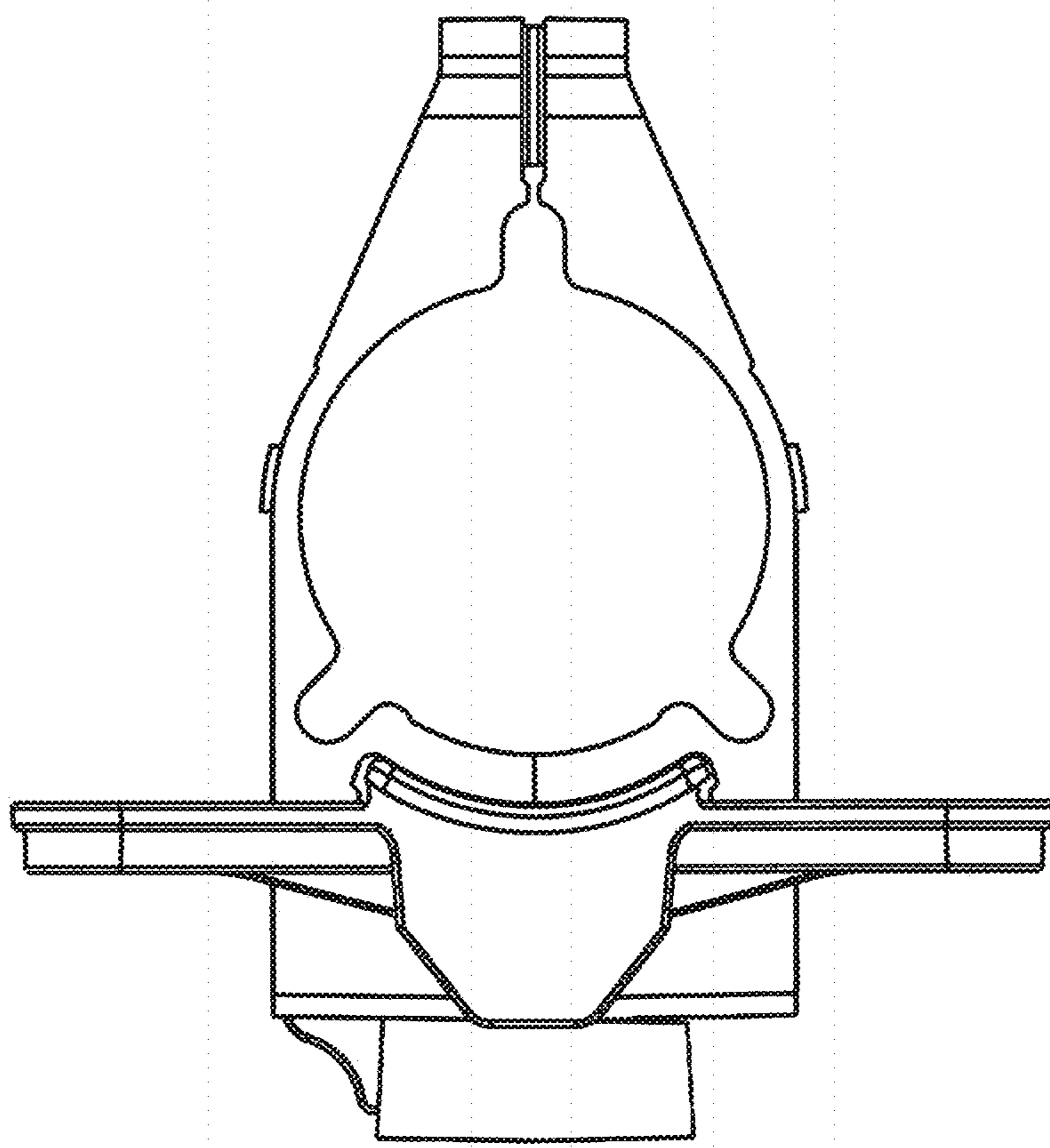


Fig. 3

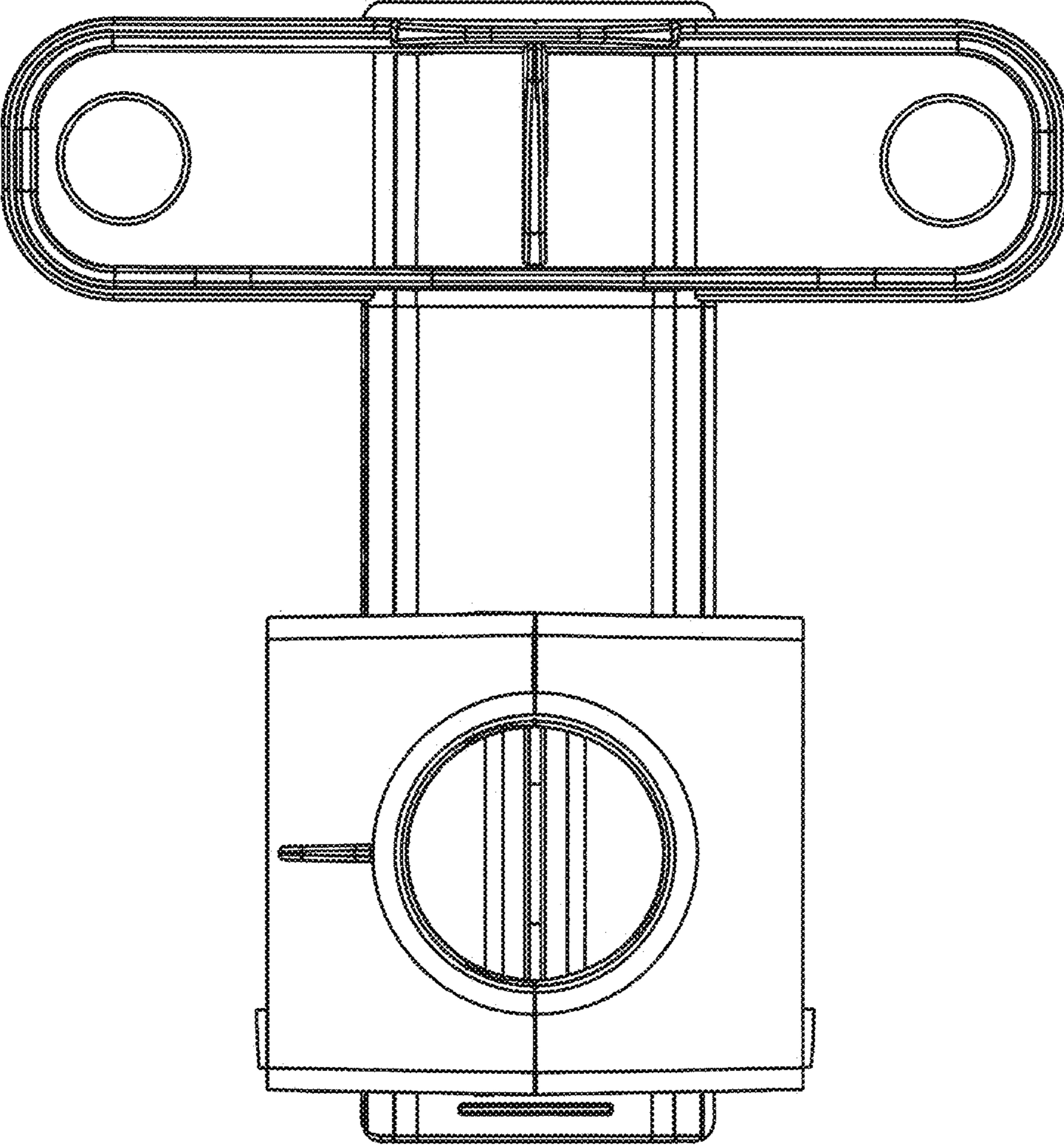


Fig. 4

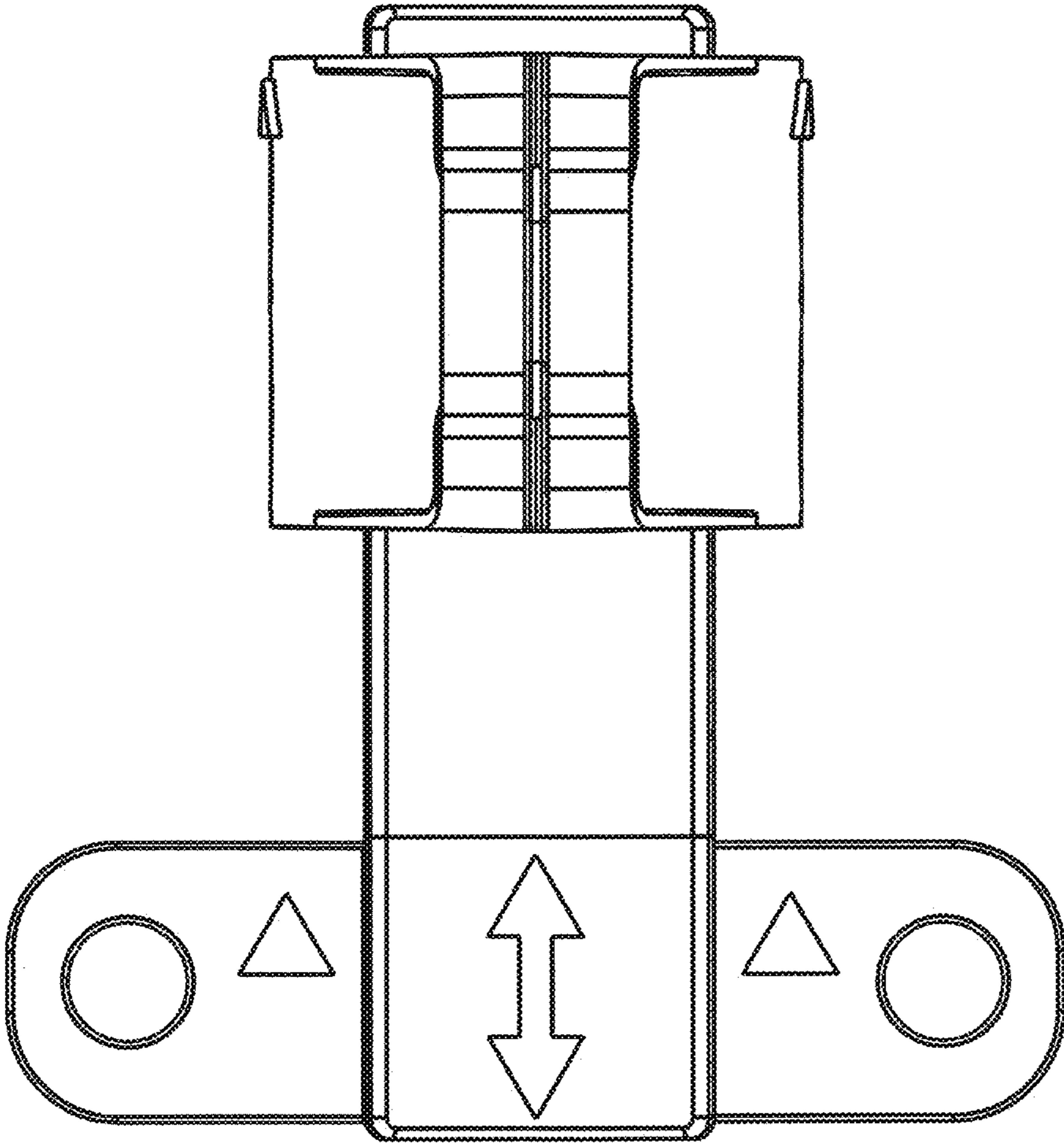


Fig. 5

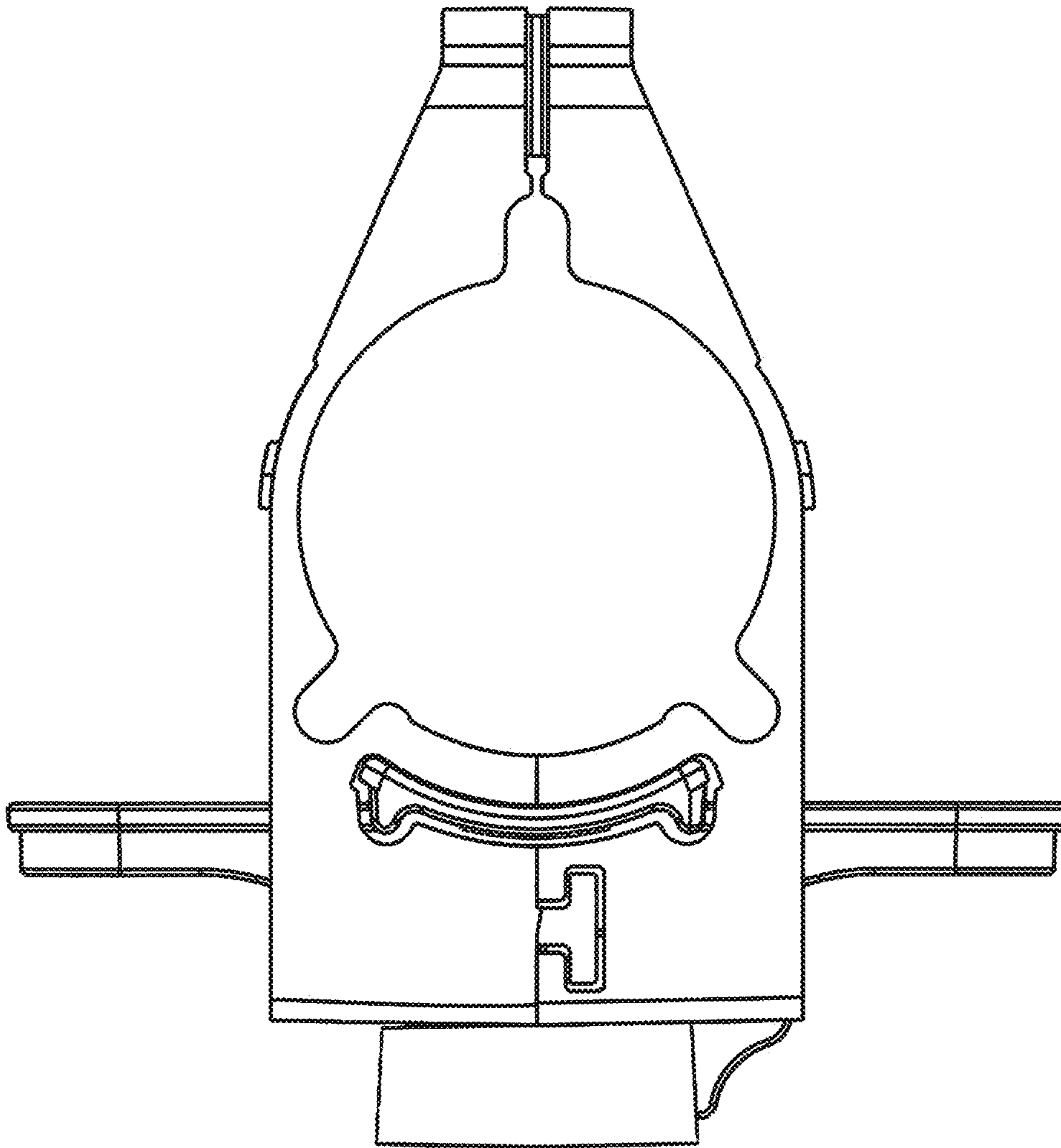


Fig. 6

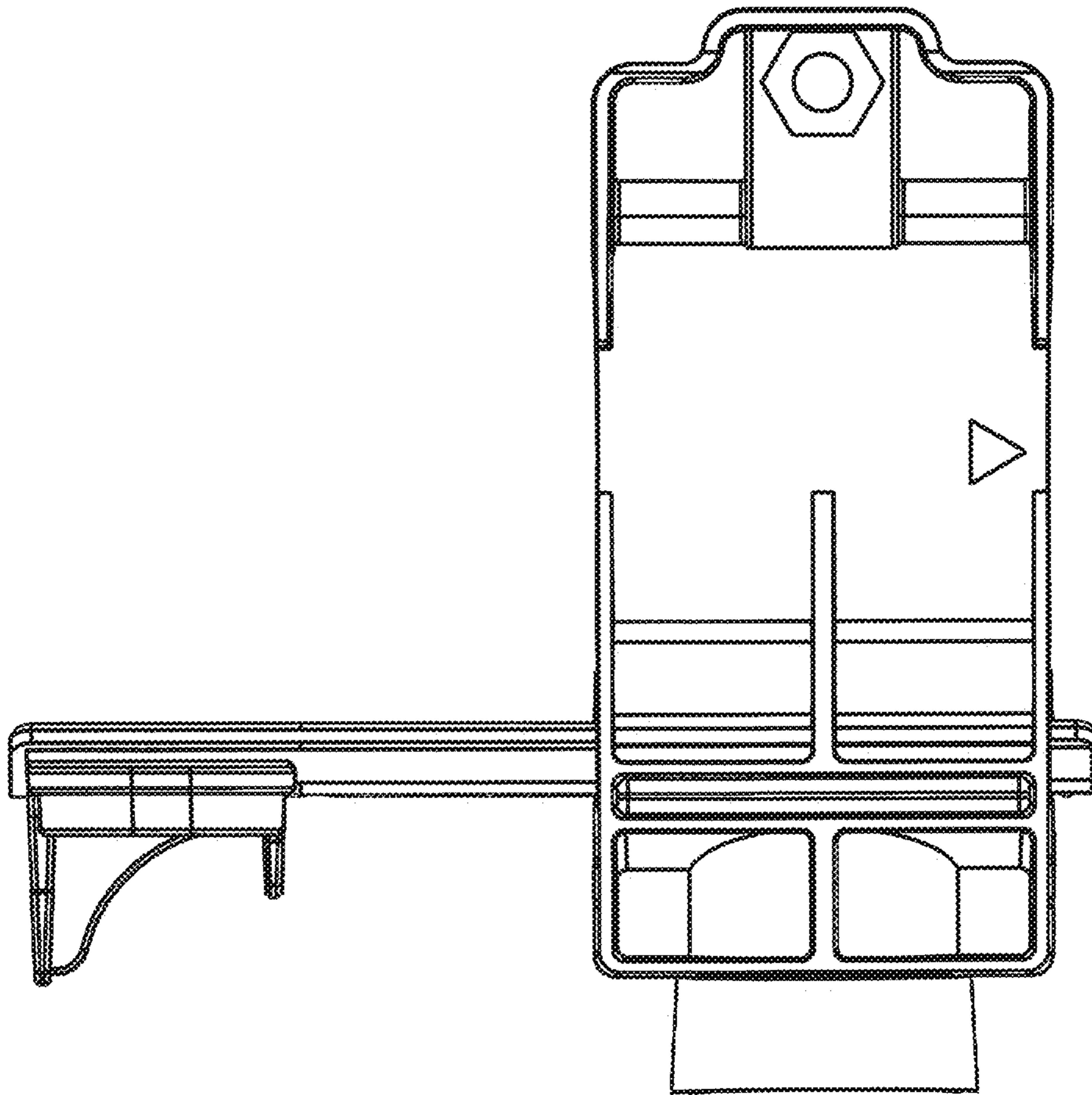


Fig. 7

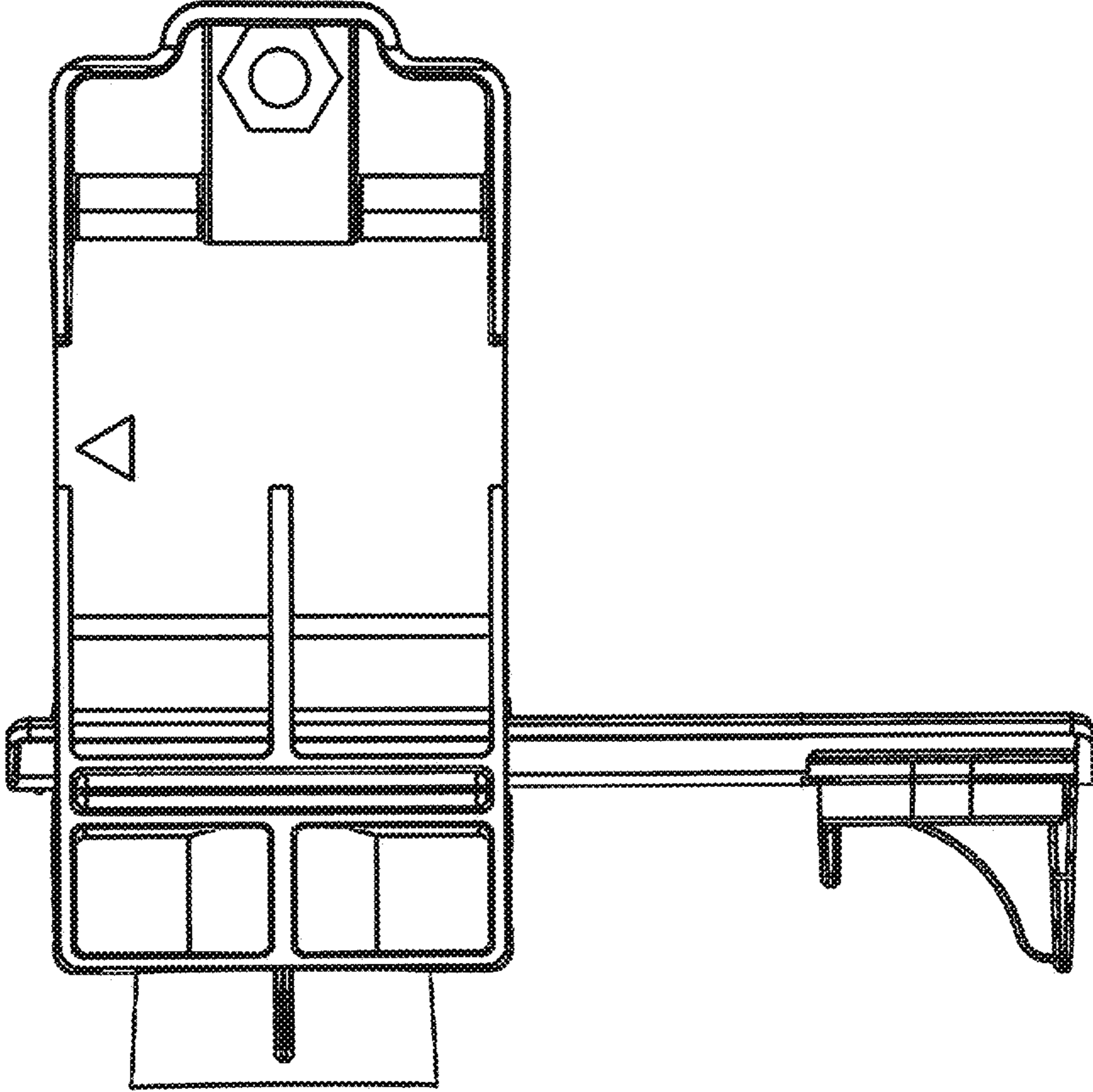


Fig. 8

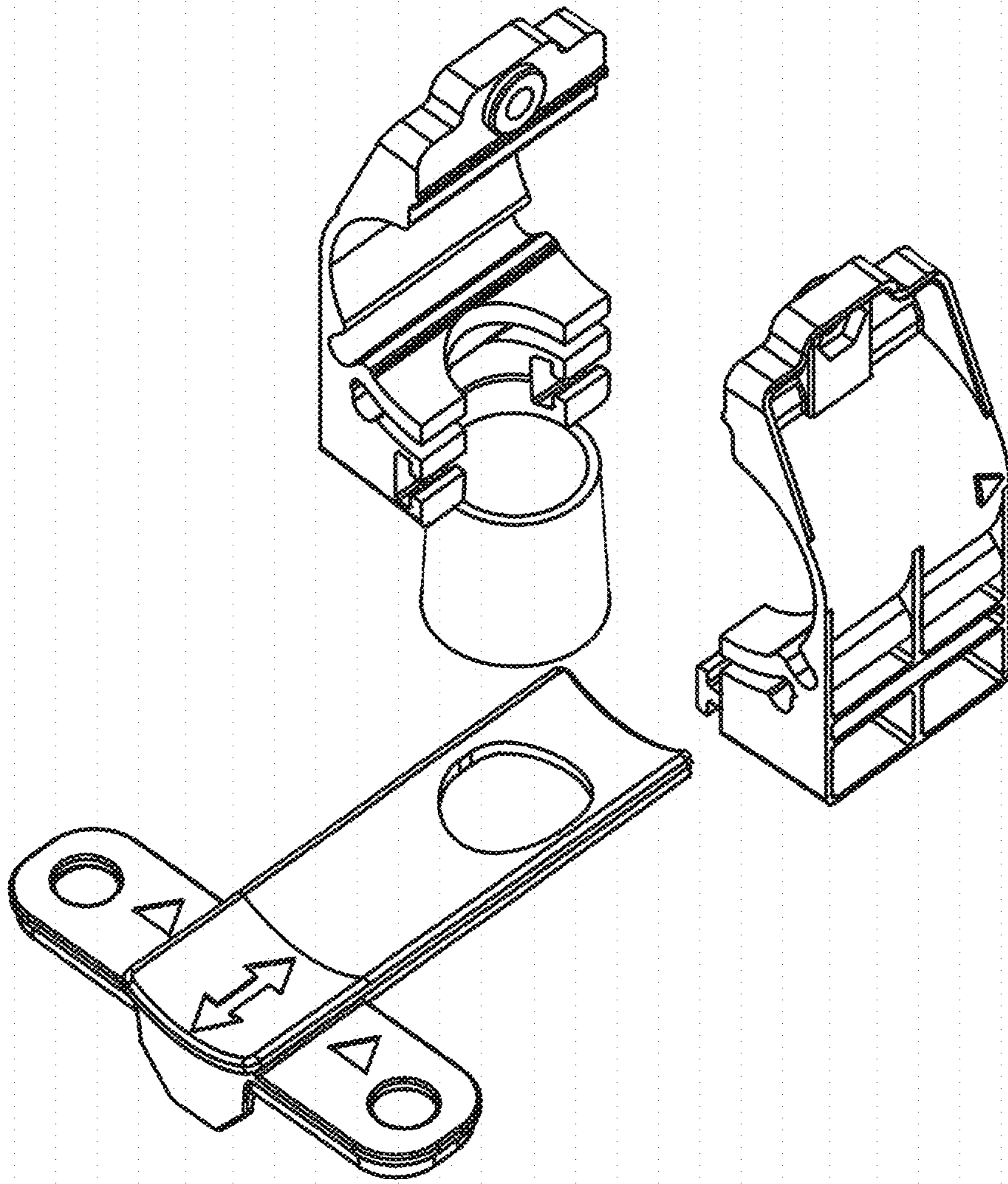


Fig. 9

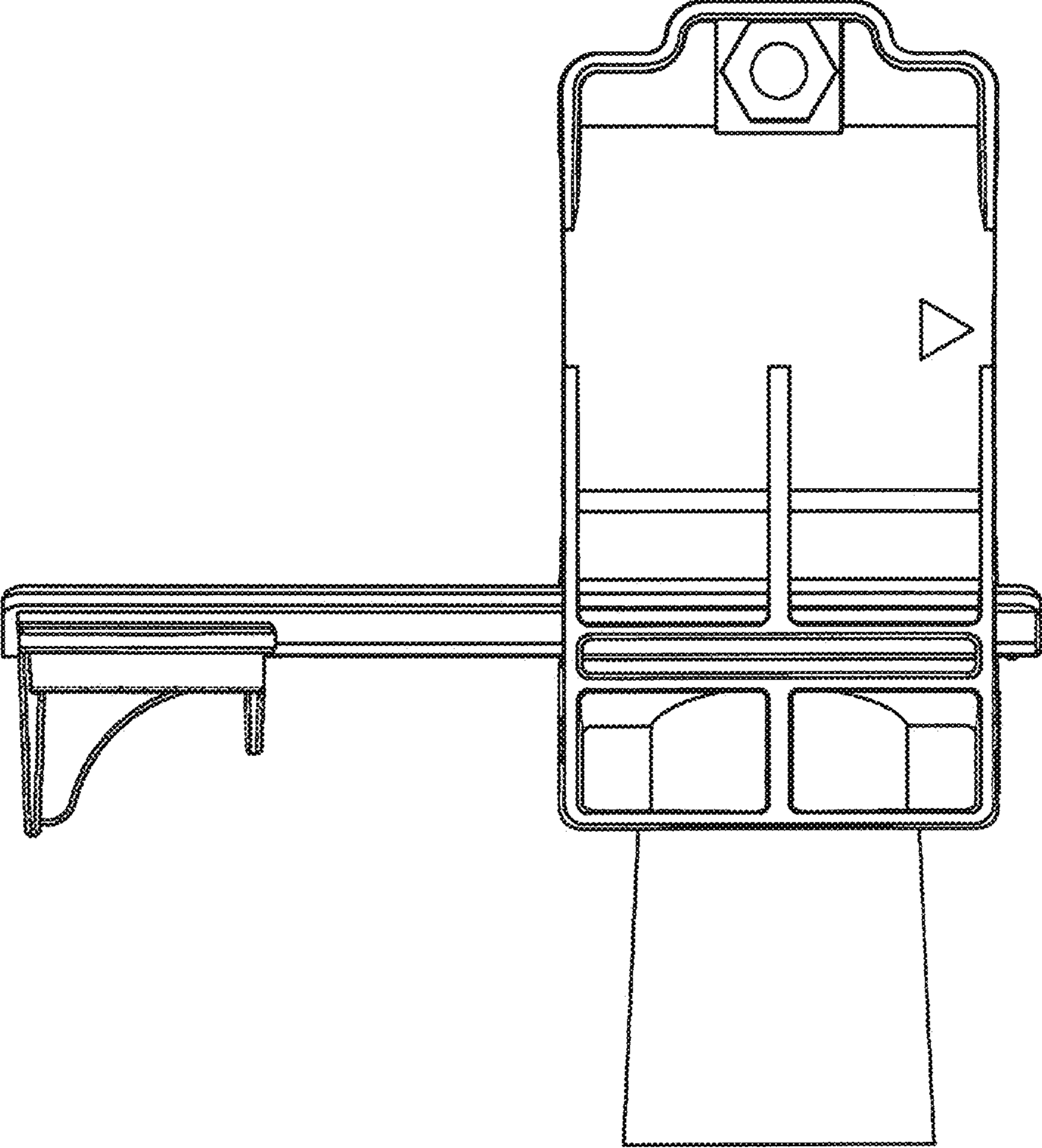


Fig. 10

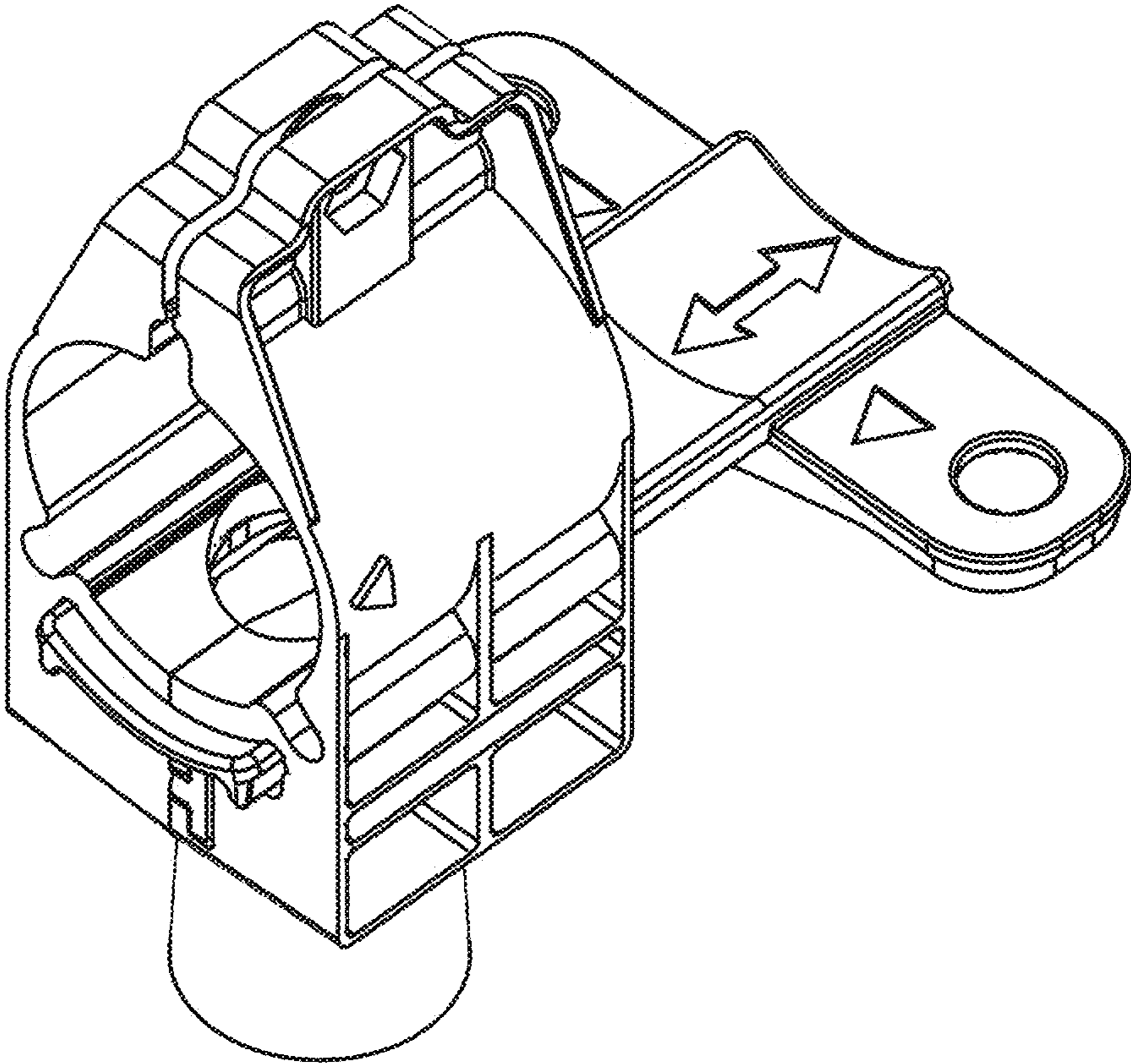


Fig. 11