



US00D952264S

(12) **United States Design Patent** (10) **Patent No.:** **US D952,264 S**
Septien Prieto (45) **Date of Patent:** **** May 17, 2022**

(54) **INDUSTRIAL MODEL ATTACHMENT FOR ANIMAL FEEDING**

(71) Applicant: **Francisco Javier Septien Prieto,**
Guanajuato (MX)

(72) Inventor: **Francisco Javier Septien Prieto,**
Guanajuato (MX)

(**) Term: **15 Years**

(21) Appl. No.: **29/708,380**

(22) Filed: **Oct. 4, 2019**

(30) **Foreign Application Priority Data**

Jul. 11, 2019 (MX) MX/f/2019001856

(51) **LOC (13) Cl.** **30-03**

(52) **U.S. Cl.**
USPC **D30/121; D30/131**

(58) **Field of Classification Search**
USPC D30/130-132, 199, 121-124; 119/72,
119/72.5, 75, 78, 53, 74, 76, 79, 80, 81,
119/51.01, 51.04, 52.1, 54, 57.4, 58, 61.1,
119/61.5, 52.4; 137/592, 408, 614.2;
239/28; 4/377; D7/553.4, 553.8, 552.2,
D7/549, 555, 557, 554.2, 359, 586, 551.1,
D7/553.7, 553.6, 546, 547, 672, 570, 544,
D7/564, 587, 584; D9/428, 432;
D27/134; 220/630, 575, 574, 506;
D11/149, 152; 99/442, 428, DIG. 15;
131/232; 249/169

CPC A01K 5/0114; A01K 5/01; A01K 5/0135;
A01K 7/005; A01K 7/00; A01K 7/02;
A01K 5/0142; A01K 5/0121; A01K
5/0128; A01K 27/004; A01K 39/014;
A01K 39/00; A01K 39/02; A01K
39/0113; A01K 5/00; A01K 5/0107;
A01K 5/0225; A47J 43/0727; A01M
29/34; B29C 65/48; B65D 81/36; B65D
1/00; B65D 85/505; B65D 85/52; Y10T
29/4998; A45C 3/04; A45C 13/26; E04B
2/74; A47H 27/00

See application file for complete search history.

(56) **References Cited**

U.S. PATENT DOCUMENTS

6,655,317 B1 * 12/2003 Steudler, Jr. A01K 39/0125
119/53
8,347,816 B2 * 1/2013 Keirse A01K 39/0125
119/52.1

(Continued)

Primary Examiner — Susan Moon Lee

(74) *Attorney, Agent, or Firm* — Loza & Loza, LLP;
Heidi Eisenhut

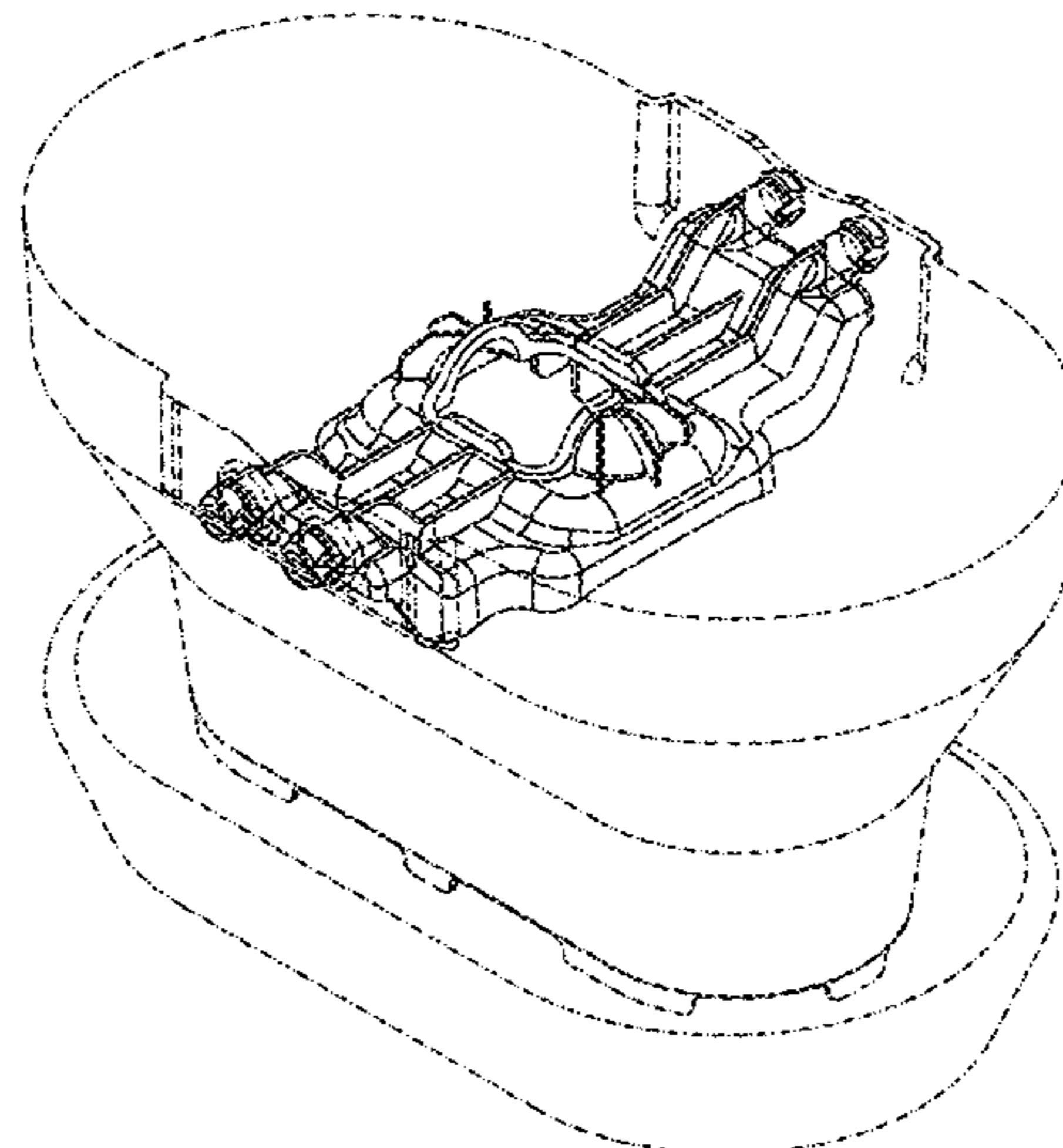
(57) **CLAIM**

The ornamental design for an industrial model attachment for animal feeding, as shown and described.

DESCRIPTION

FIG. 1 is a top right perspective view of an industrial model attachment for animal feeding of my invention;
FIG. 2 is a right side view of the industrial model attachment for animal feeding of FIG. 1;
FIG. 3 is a left side view of the industrial model attachment for animal feeding of FIG. 1;
FIG. 4 is a front view of the industrial model attachment for animal feeding of FIG. 1;
FIG. 5 is a rear view of the industrial model attachment for animal feeding of FIG. 1;
FIG. 6 is a top view of the industrial model attachment for animal feeding of FIG. 1;
FIG. 7 is a bottom view of the industrial model attachment for animal feeding of FIG. 1; and,
FIG. 8 is the top right perspective view of the industrial model attachment for animal feeding shown in an environmental view.
The portions shown in broken lines form no part of the claimed design.

1 Claim, 6 Drawing Sheets



(56)

References Cited

U.S. PATENT DOCUMENTS

D710,059 S * 7/2014 Risser D30/121
D720,098 S * 12/2014 Septien Prieto D30/121
D730,588 S * 5/2015 Risser D30/121
D750,848 S * 3/2016 Risser D30/131
9,392,772 B2 * 7/2016 Steudler, Jr. A01K 39/01
D775,435 S * 12/2016 Risser D30/121
9,591,833 B1 * 3/2017 McGregor A01K 39/0125
9,713,320 B2 * 7/2017 Septien Prieto ... A01K 39/0125
D804,109 S * 11/2017 Anguiano-Duran D30/124
10,750,725 B2 * 8/2020 McGregor A01K 39/01
2016/0021853 A1 * 1/2016 Septien Prieto ... A01K 39/0125
119/52.1
2017/0181410 A1 * 6/2017 McGregor A01K 39/0125
2018/0263221 A1 * 9/2018 Mark A01K 39/0113
2020/0323176 A1 * 10/2020 Andersen A01K 39/0125

* cited by examiner

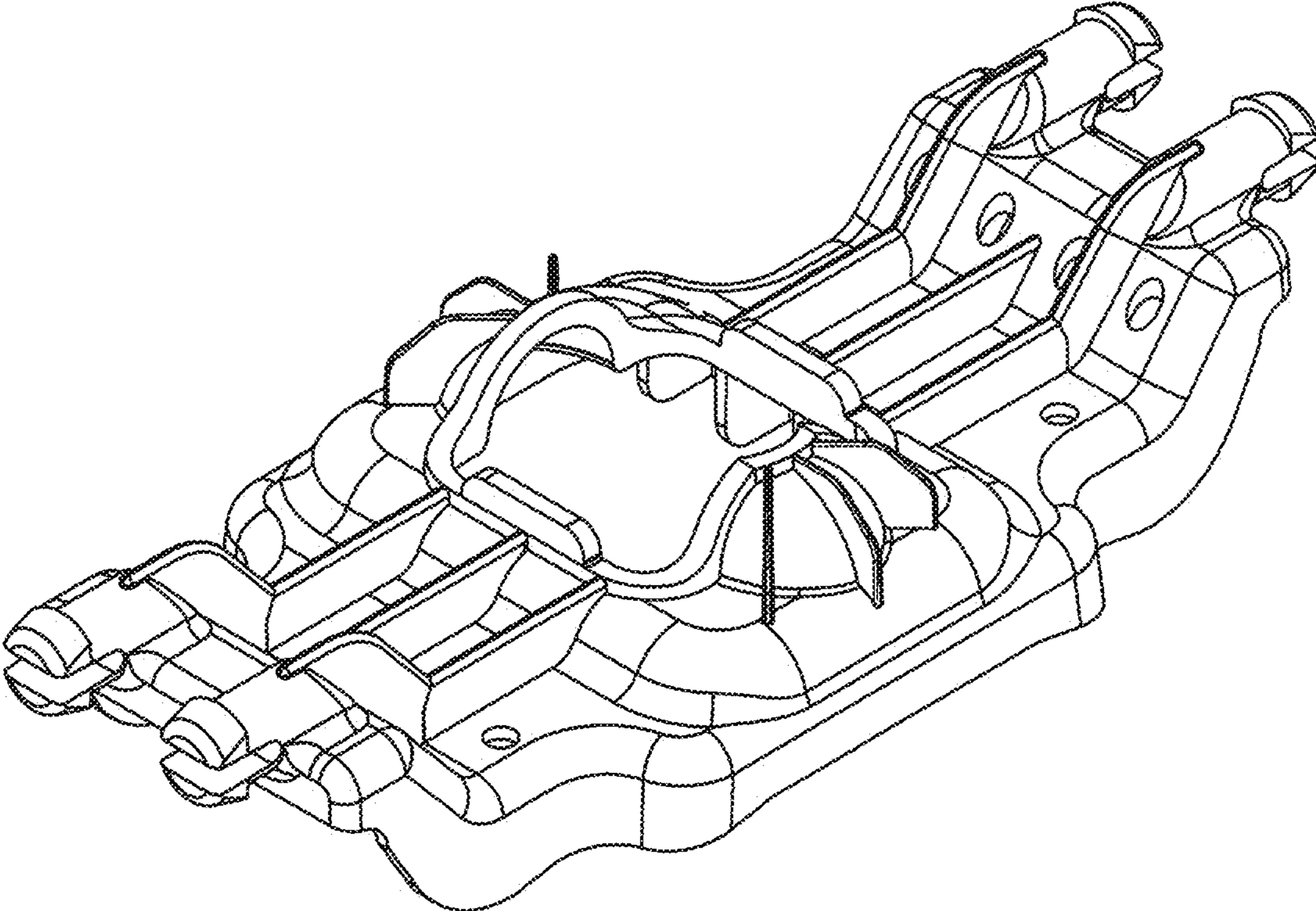


Fig. 1

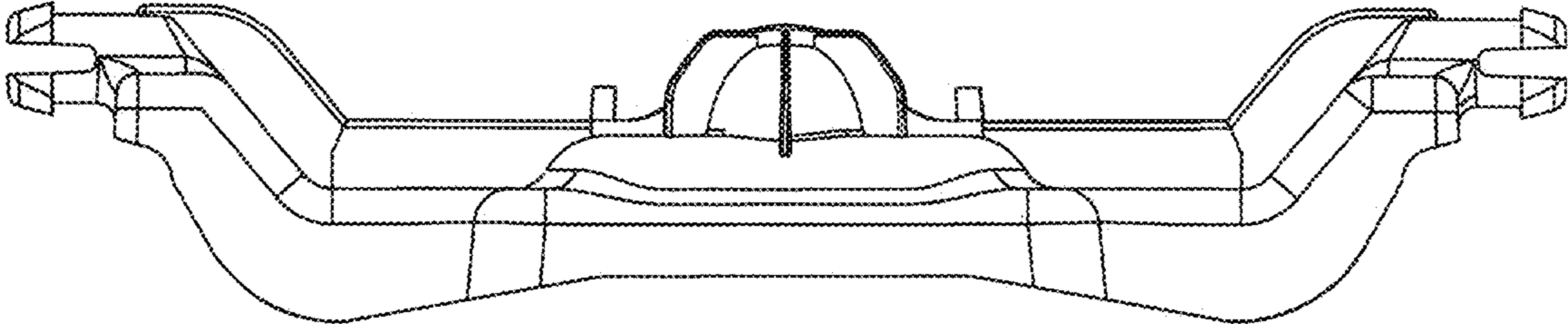


Fig. 2

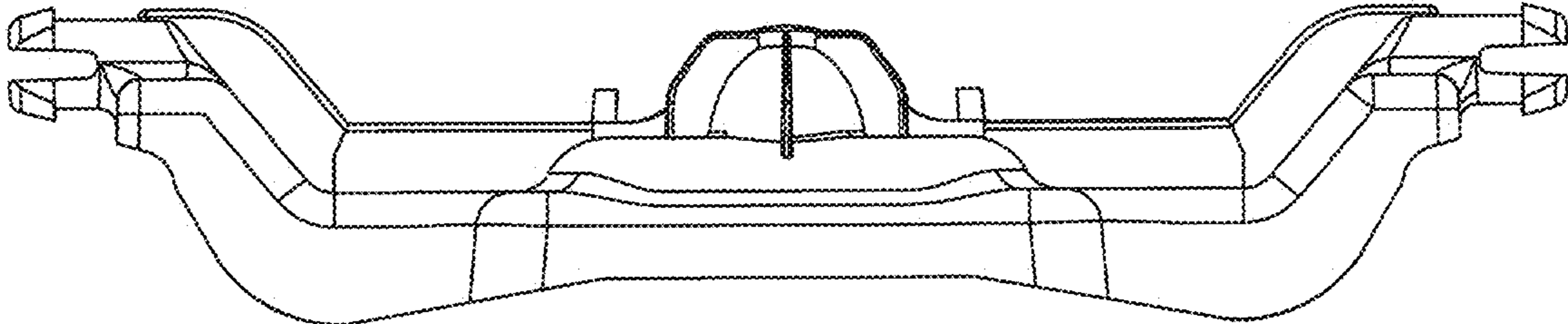


Fig. 3

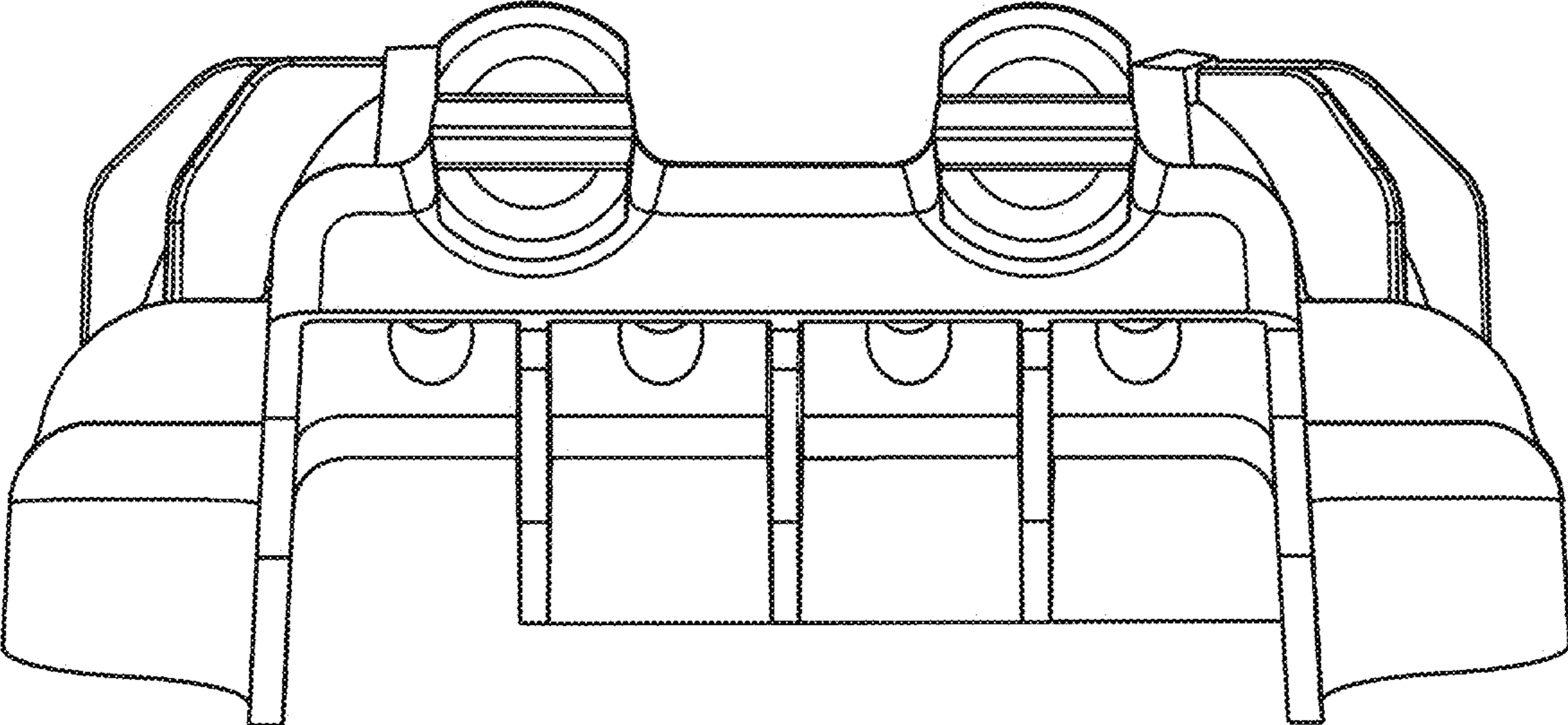


Fig.4

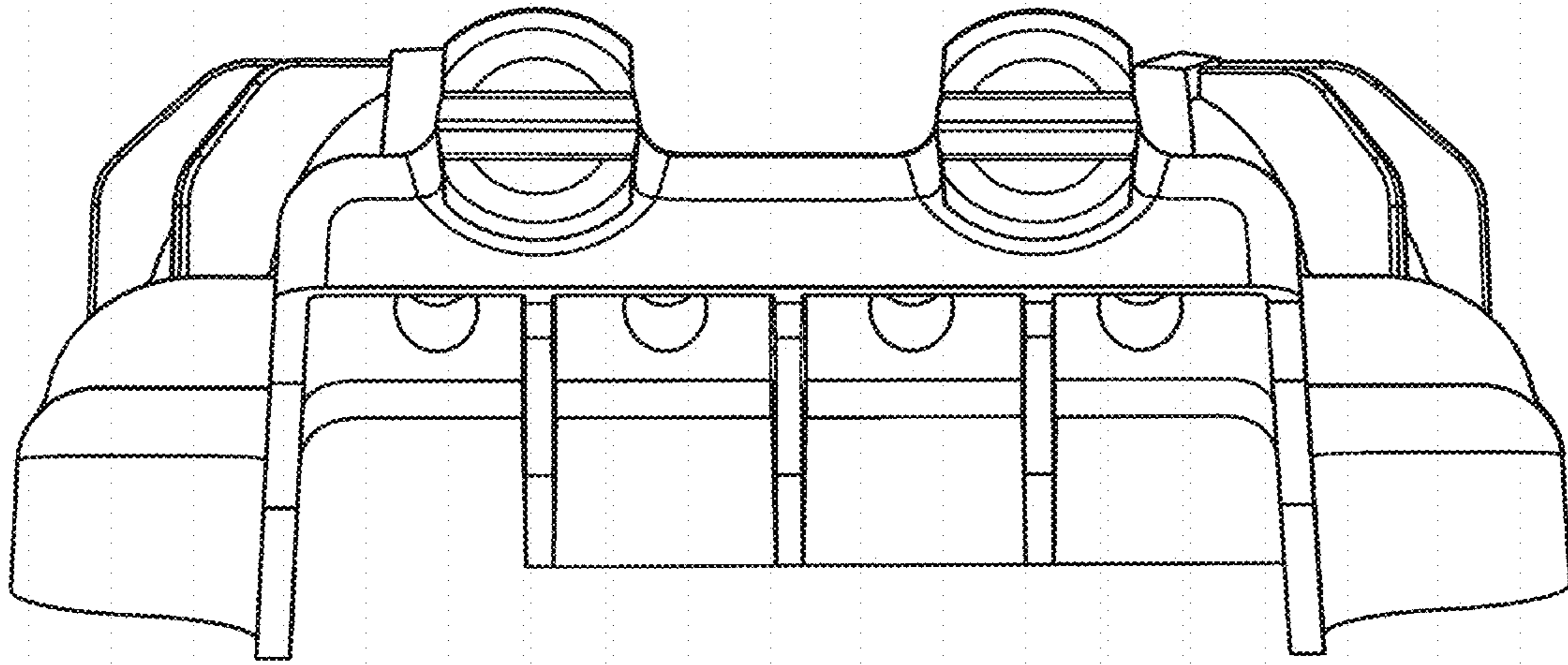


Fig. 5

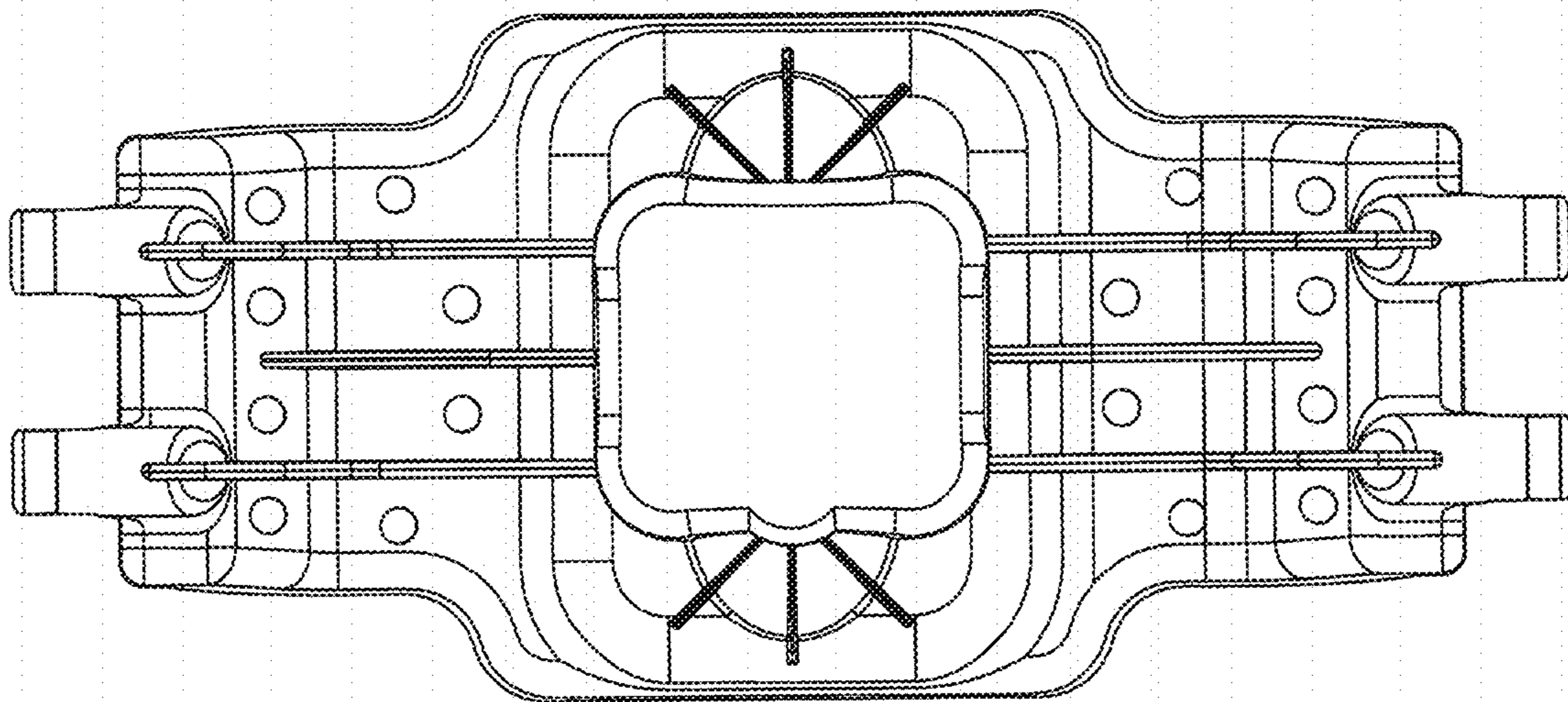


Fig. 6

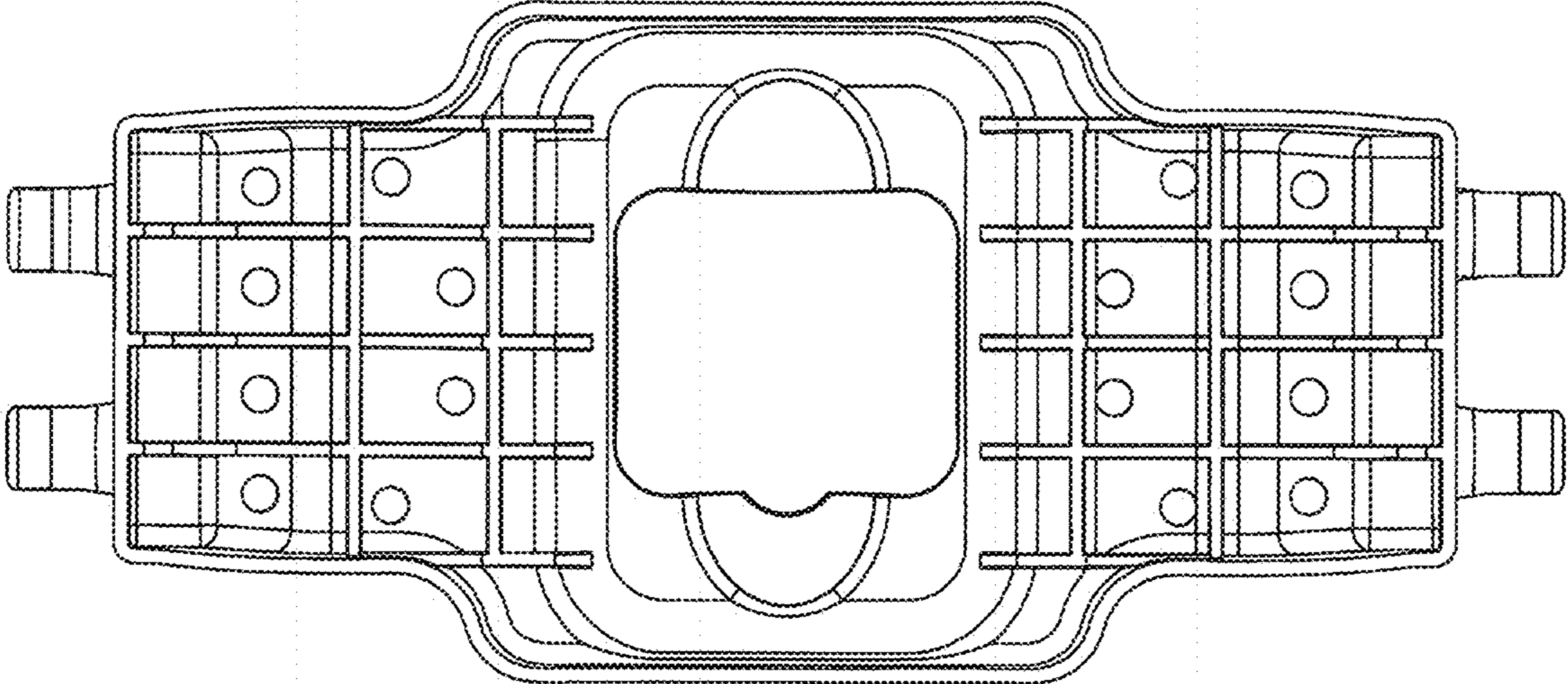


Fig. 7

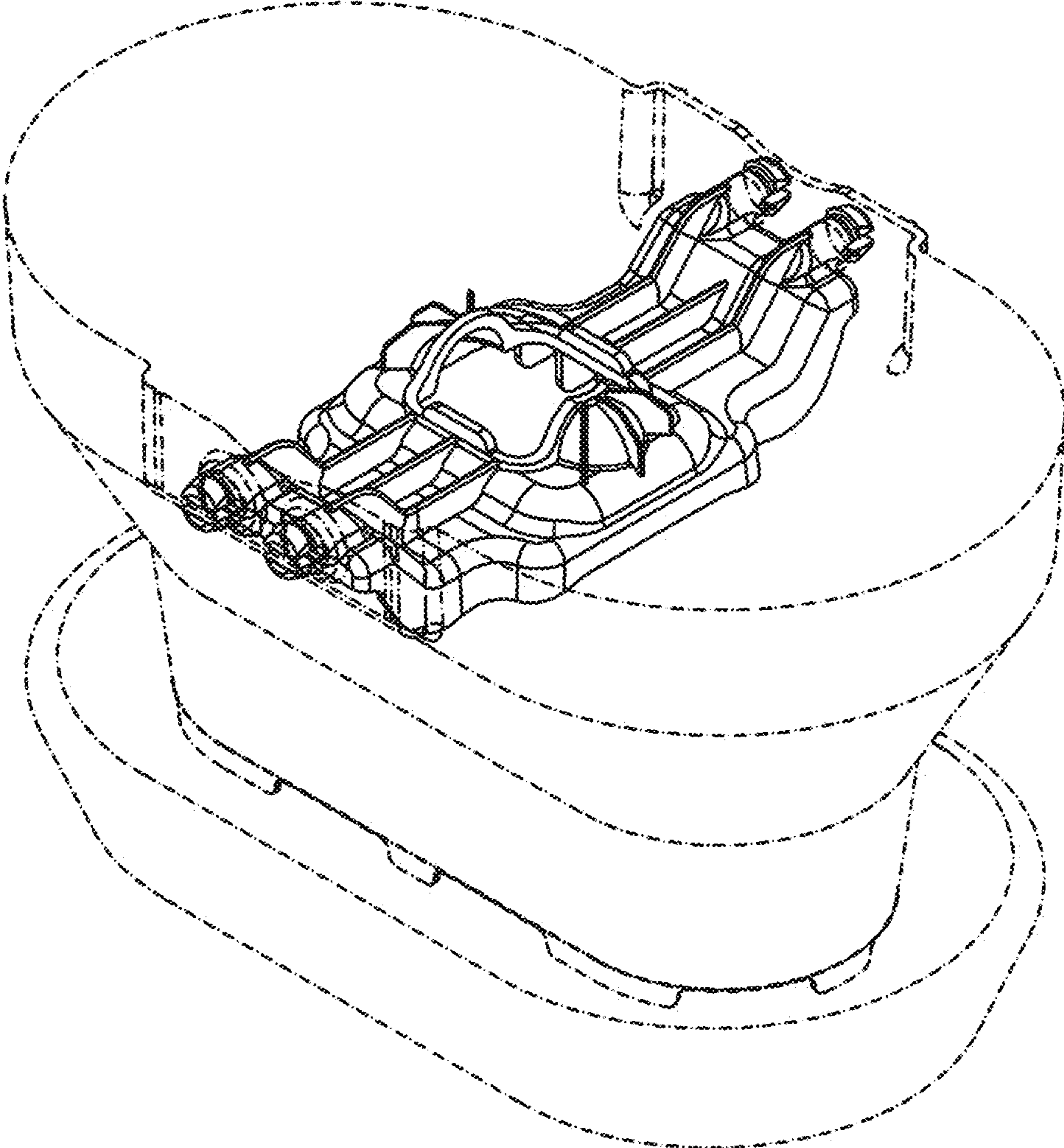


Fig. 8