



US00D952263S

(12) **United States Design Patent** (10) **Patent No.:** **US D952,263 S**  
**Mihlbauer et al.** (45) **Date of Patent:** **\*\* May 17, 2022**

(54) **ANIMAL HABITAT**  
(71) Applicant: **CENTRAL GARDEN & PET COMPANY**, Walnut Creek, CA (US)

D894,496 S \* 8/2020 Hutchinson ..... D30/108  
D927,090 S \* 8/2021 Hobbs, Jr. .... D30/119  
D928,421 S \* 8/2021 Jakubowski ..... D30/119  
D930,277 S \* 9/2021 Huthmaker ..... D30/119

(72) Inventors: **Brad L. Mihlbauer**, Mukwonago, WI (US); **Ryan T. McVeigh**, Wheeling, IL (US); **Alexander S. Chirban**, Wauwatosa, WI (US)

**OTHER PUBLICATIONS**

33 Gallon Terrarium, posted at wayfair.com, earliest date reviewed on Dec. 30, 2020, [online], acquired on Sep. 11, 2021, Available on internet. Url:https://www.wayfair.com/pet/pdp/reptizoo-33-gallons-terrarium-rptz1030.html (Year: 2020).\*

(73) Assignee: **CENTRAL GARDEN & PET COMPANY**, Walnut Creek, CA (US)

64 Gallon Terrarium, posted at wayfair.com, earliest date reviewed on Dec. 30, 2020, [online], acquired on Sep. 11, 2021, Available on internet. Url:https://www.wayfair.com/pet/pdp/reptizoo-64-gallon-terrarium-rptz1004.html (Year: 2020).\*

(\*\*) Term: **15 Years**

\* cited by examiner

(21) Appl. No.: **29/726,040**

*Primary Examiner* — Sheryl Lane

(22) Filed: **Feb. 28, 2020**

*Assistant Examiner* — Aula Soroush

(51) **LOC (13) Cl.** ..... **30-02**

(74) *Attorney, Agent, or Firm* — Grossman, Tucker, Perreault & Pfeleger, PLLC

(52) **U.S. Cl.**  
USPC ..... **D30/108**

(58) **Field of Classification Search**  
USPC ..... D30/108–120, 160, 101–107  
CPC ..... A01K 1/00; A01K 1/0272; A01K 1/03;  
A01K 63/00; A01K 63/003  
See application file for complete search history.

(57) **CLAIM**

The ornamental design for an animal habitat, as shown and described.

**DESCRIPTION**

(56) **References Cited**

**U.S. PATENT DOCUMENTS**

3,149,608 A \* 9/1964 Murphy ..... A01K 63/045  
119/253  
D233,938 S \* 12/1974 Shalom ..... D30/101  
5,000,118 A \* 3/1991 Merritt ..... A01K 63/003  
119/246  
6,054,146 A \* 4/2000 Ballard ..... A01K 61/85  
426/2  
D424,249 S \* 5/2000 Banzaca ..... D30/119  
D683,080 S \* 5/2013 Snow ..... D30/108  
D704,382 S \* 5/2014 Wu ..... D30/101  
D879,386 S \* 3/2020 Lin ..... D30/101  
D889,047 S \* 6/2020 Kapaun ..... D30/101

FIG. 1 is a perspective view of an animal habitat of the present invention;

FIG. 2 is a is a close up view of the latching mechanism circled in FIG. 1;

FIG. 3 is a front view thereof;

FIG. 4 is a rear view thereof;

FIG. 5 is a side view thereof;

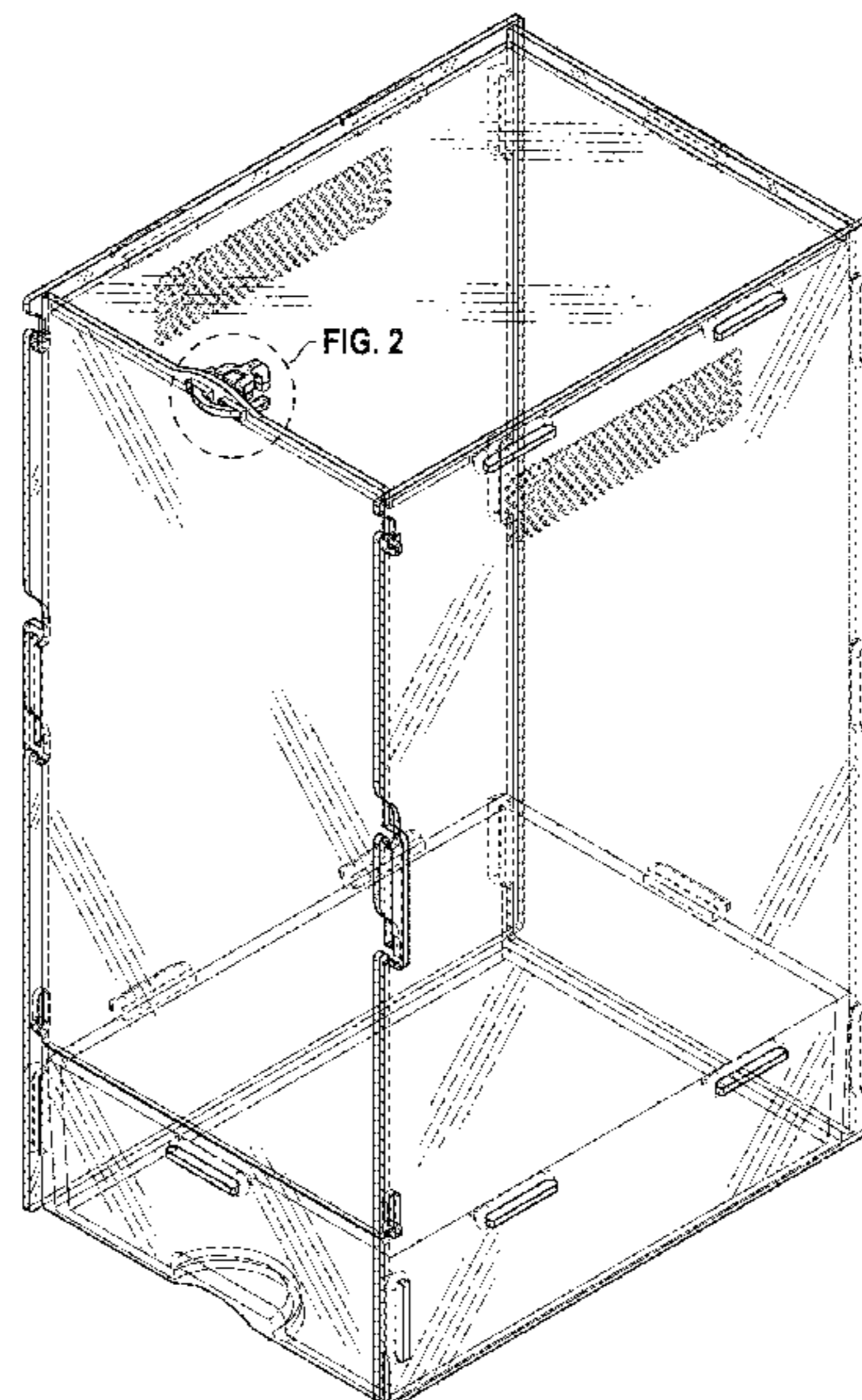
FIG. 6 is a side view thereof;

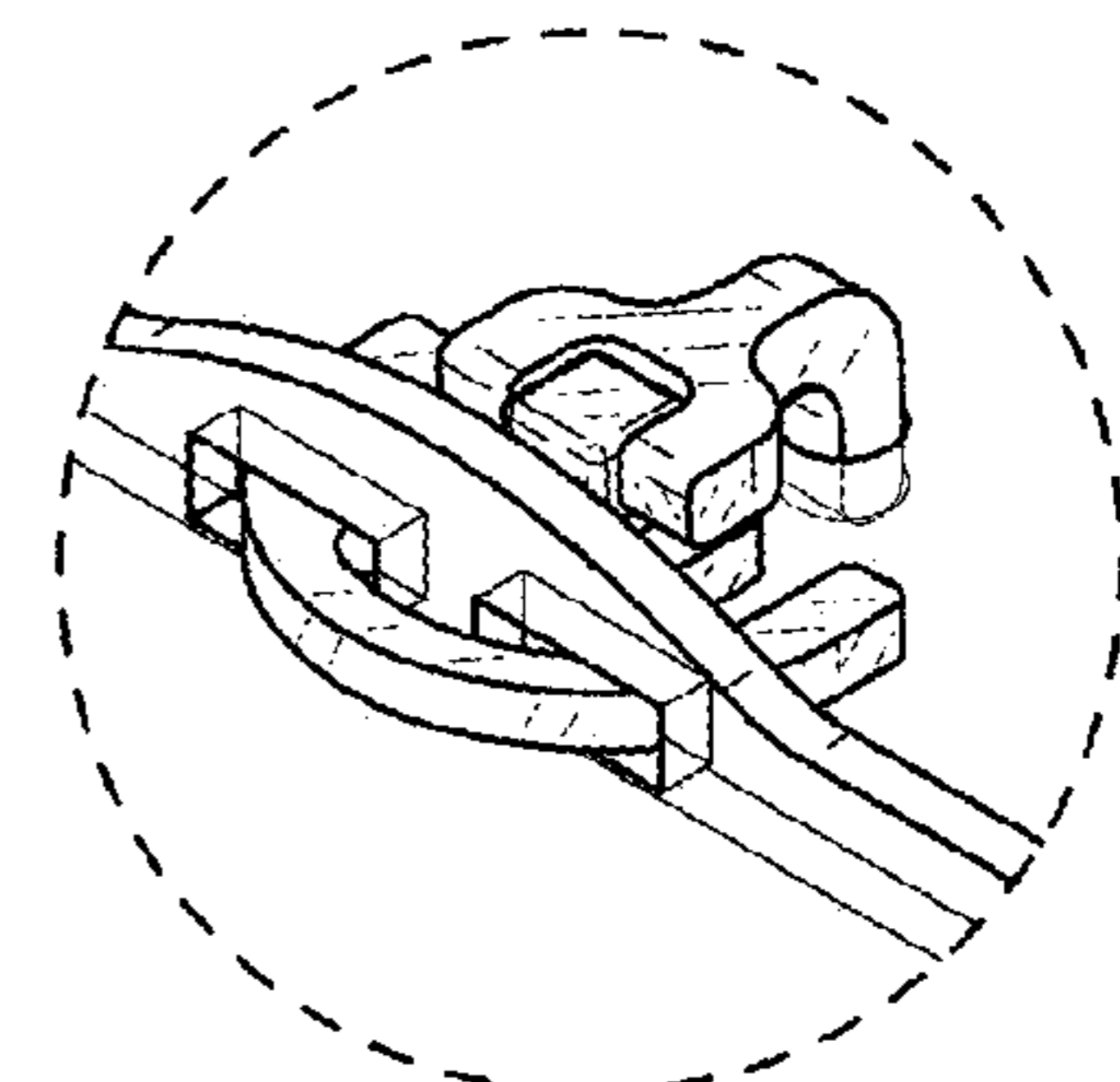
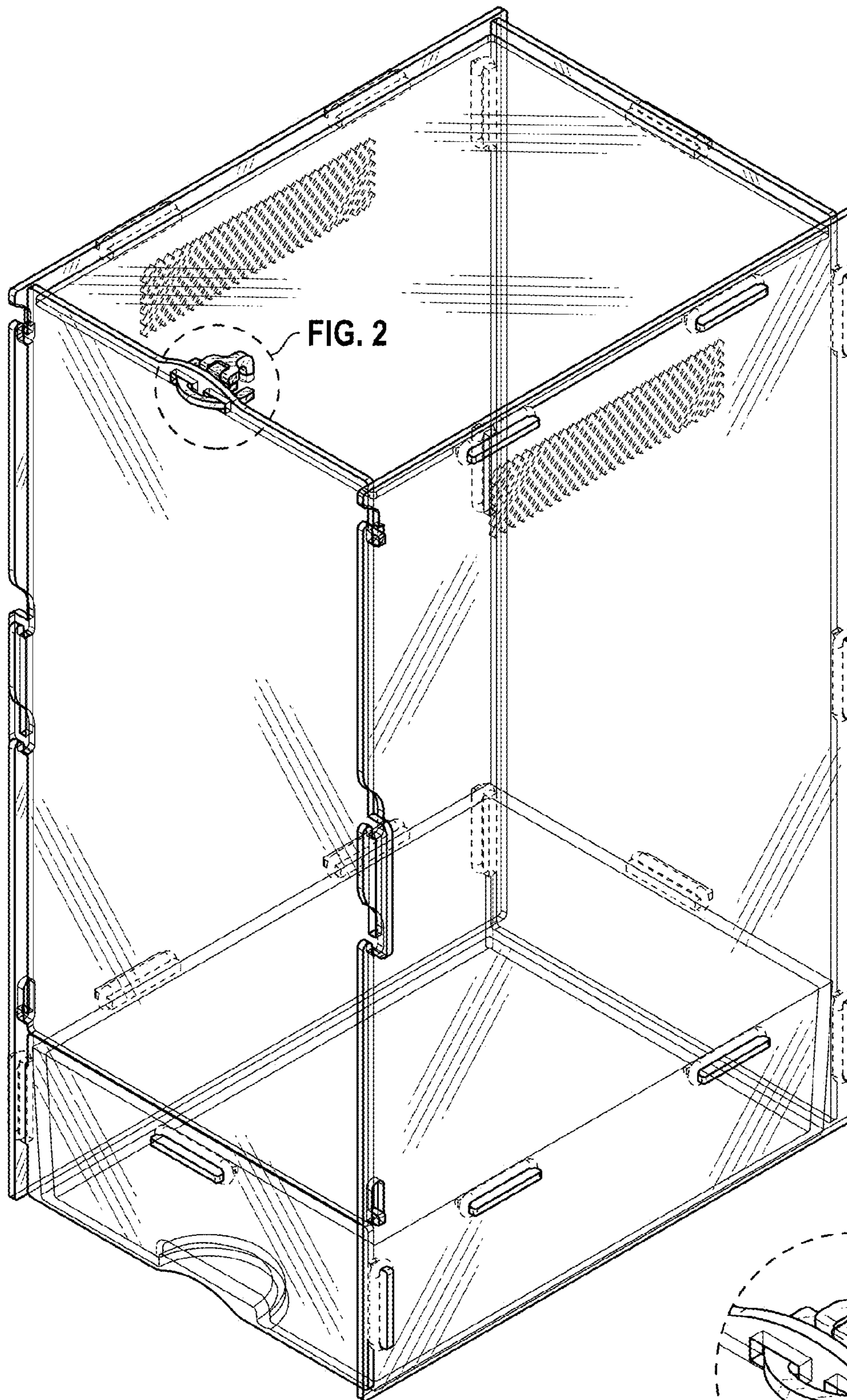
FIG. 7 is a top view thereof; and,

FIG. 8 is a bottom view thereof.

Portions of the animal habitat shown in broken lines in FIGS. 1-8 form no part of the claimed design.

**1 Claim, 7 Drawing Sheets**





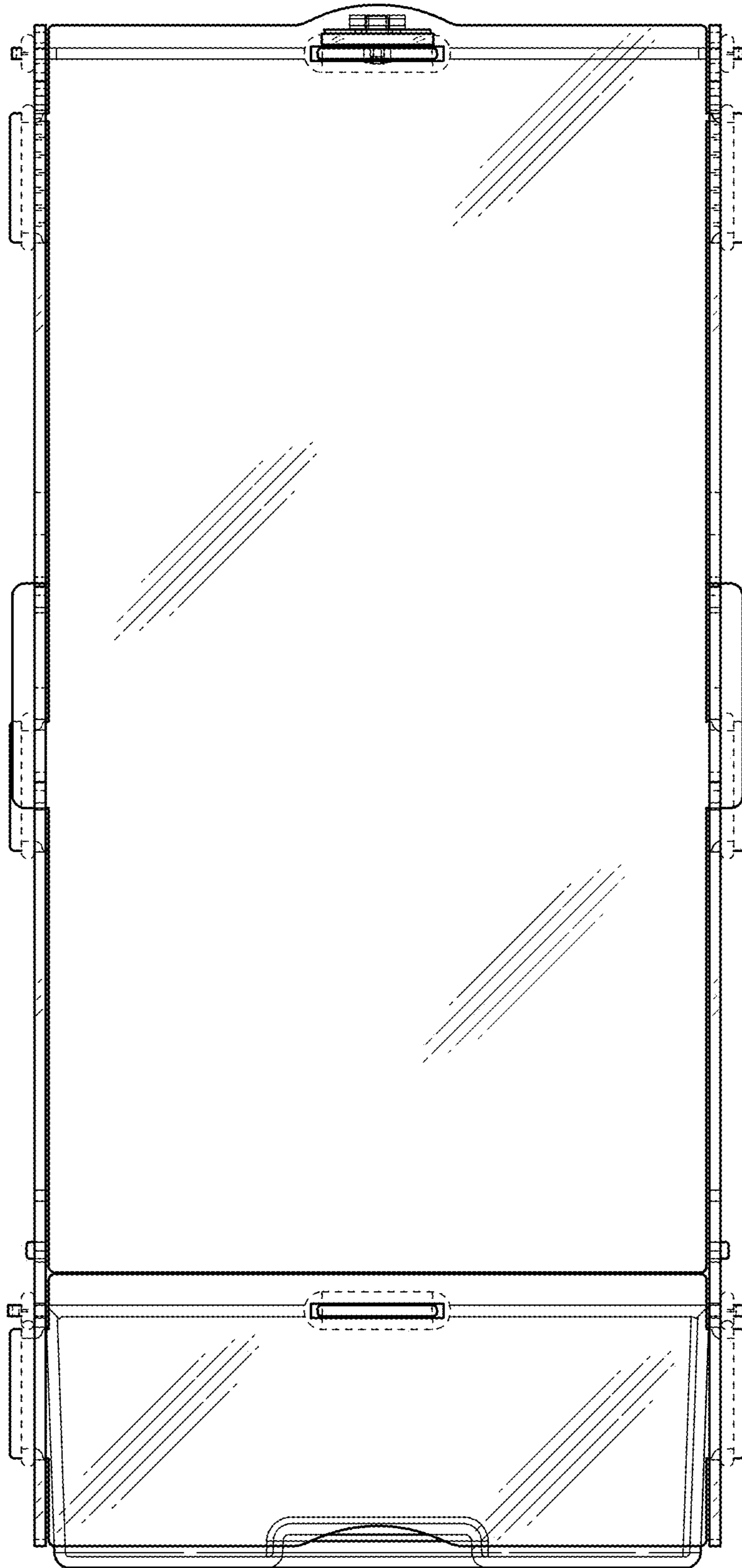


FIG. 3

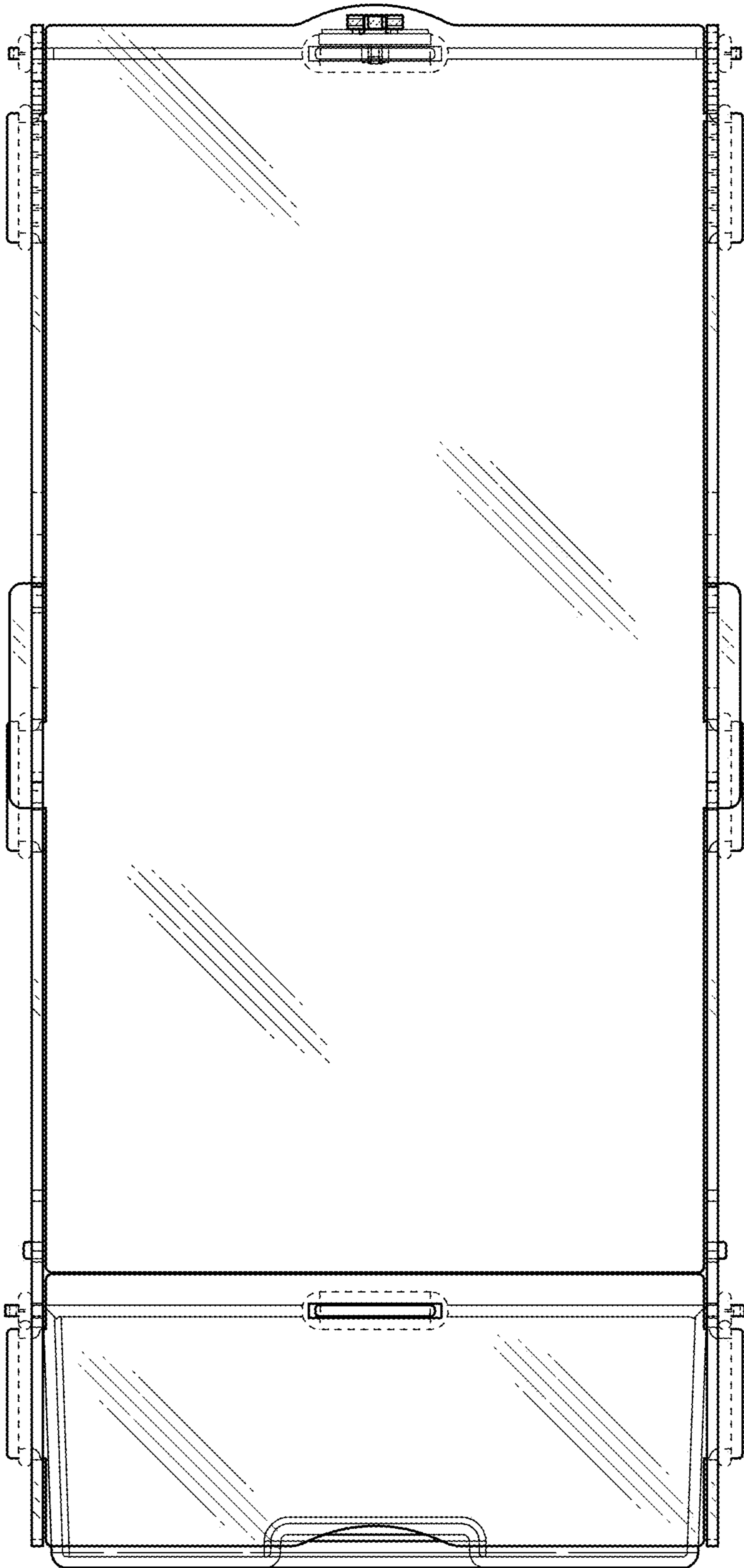


FIG. 4

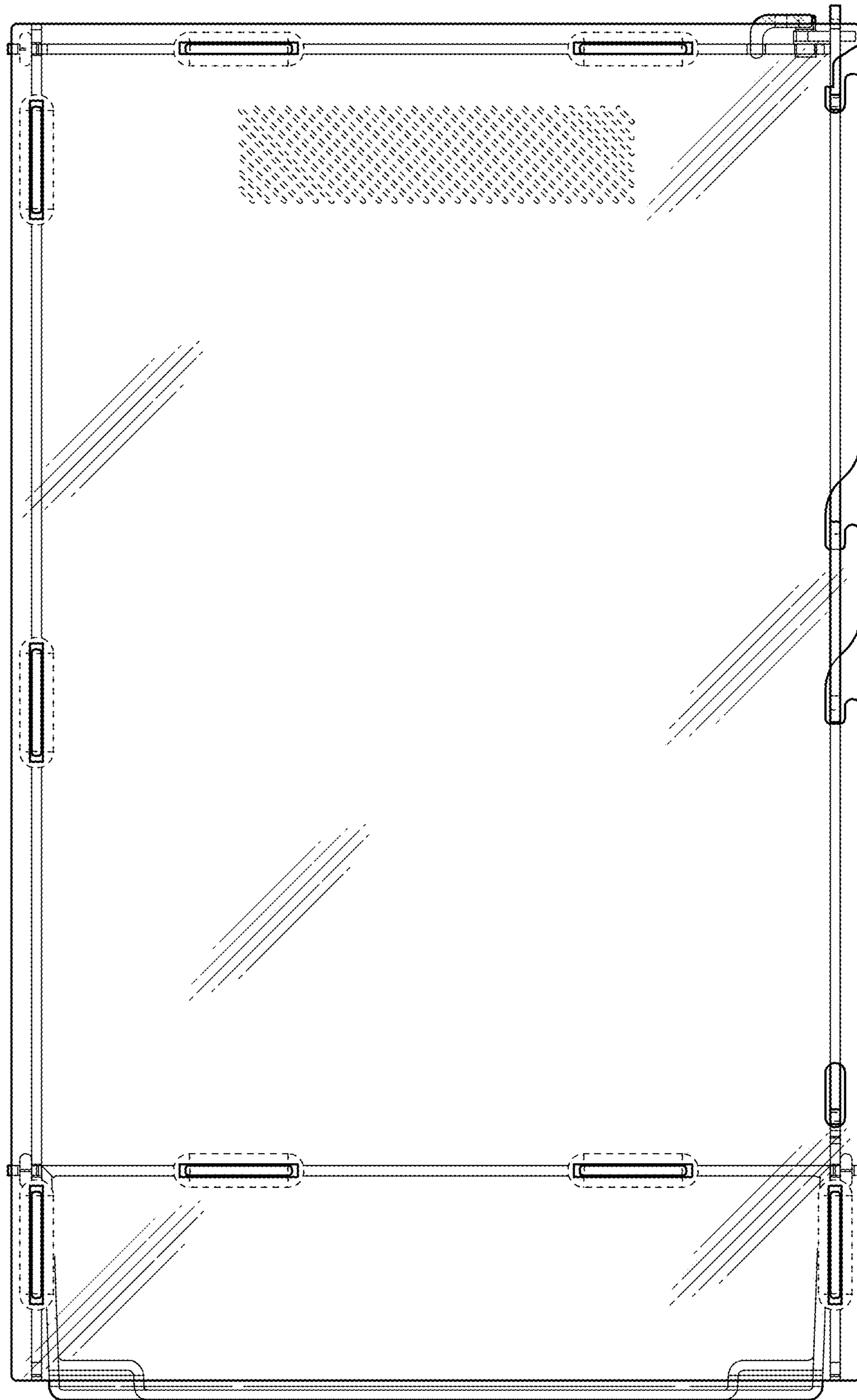


FIG. 5

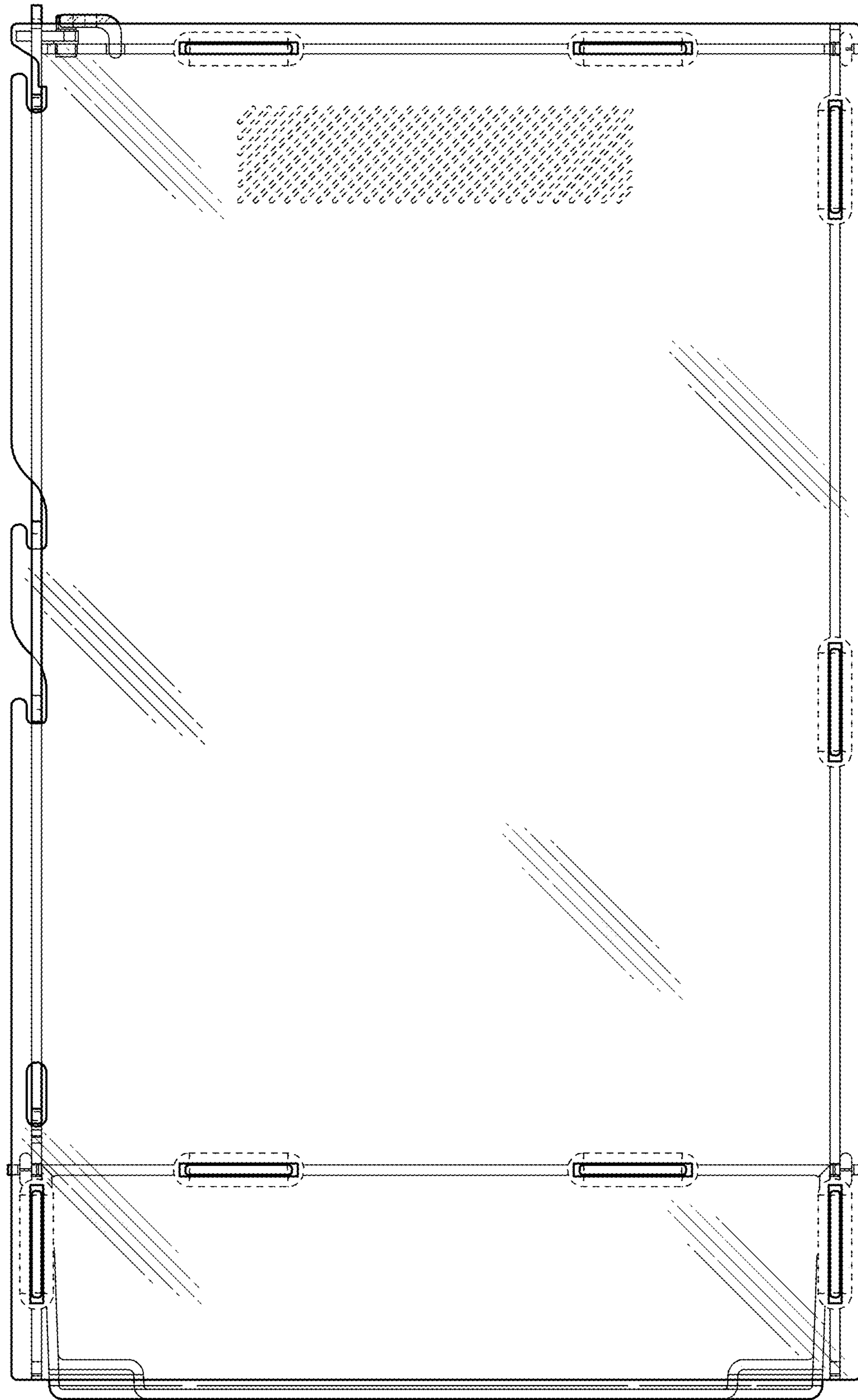


FIG. 6

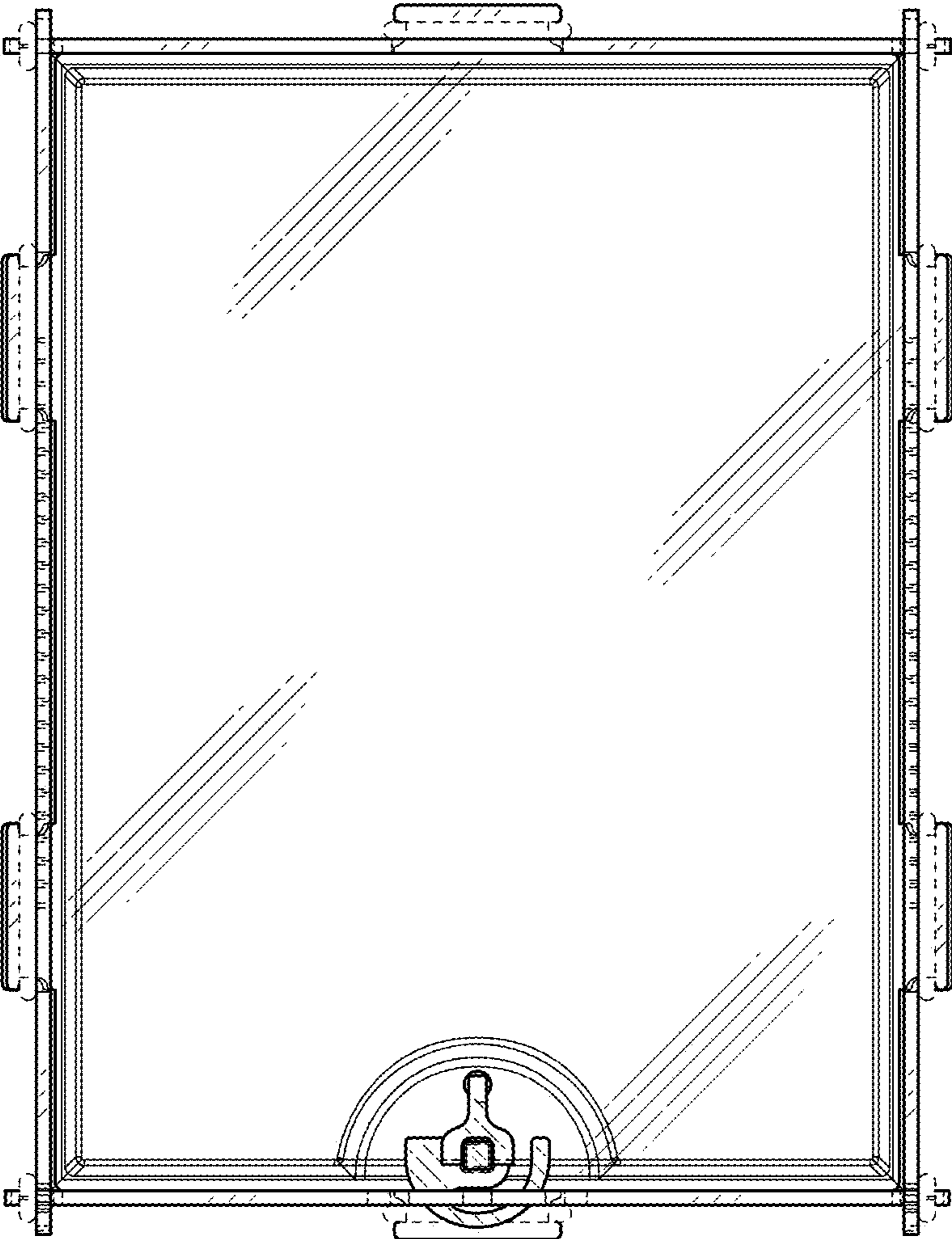


FIG. 7

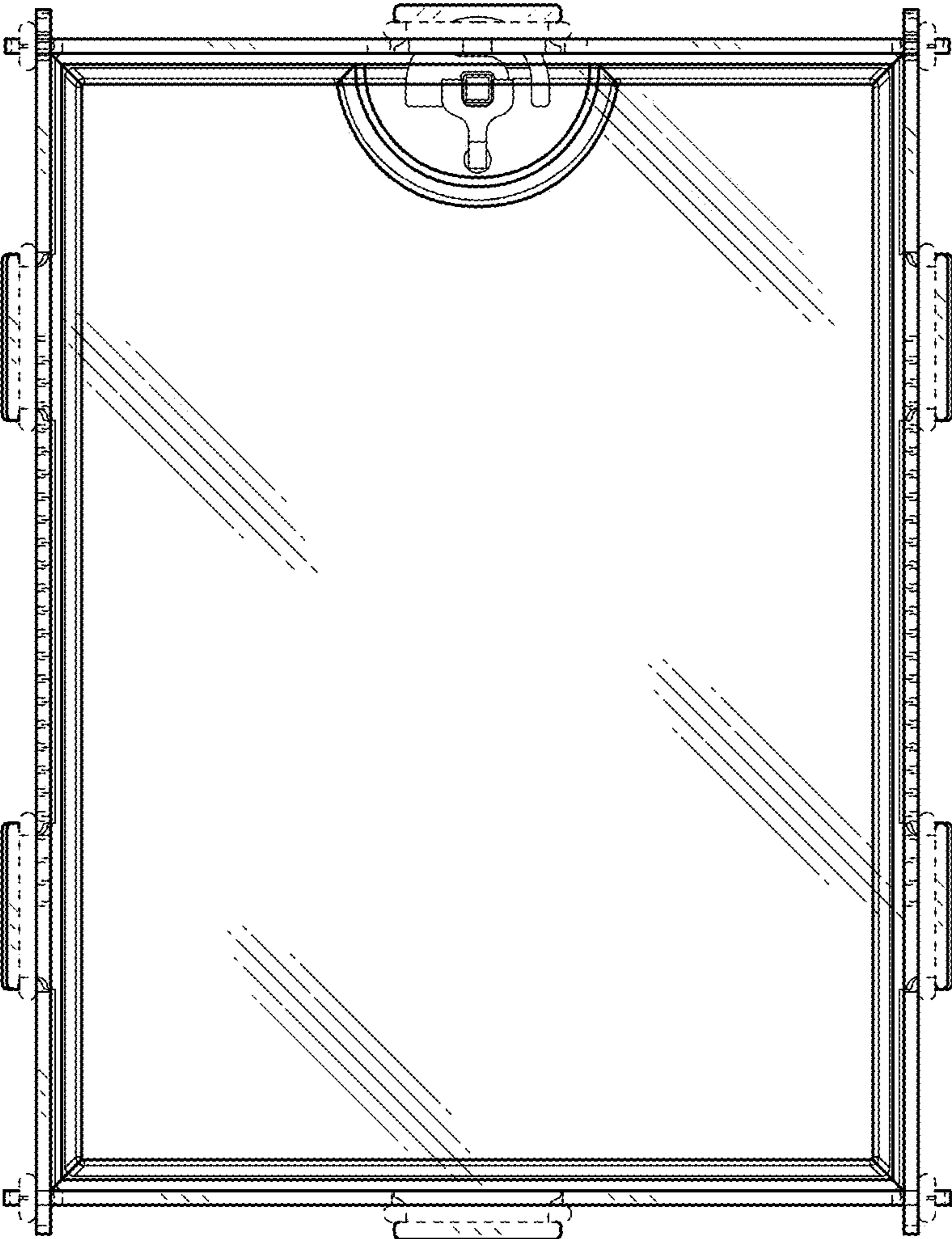


FIG. 8