



US00D952259S

(12) **United States Design Patent**
Mizuno

(10) **Patent No.:** **US D952,259 S**
(45) **Date of Patent:** **** May 17, 2022**

- (54) **DENTAL FLOSS HOLDER**
- (71) Applicant: **GC Corporation**, Shizuoka (JP)
- (72) Inventor: **Natsumi Mizuno**, Tokyo (JP)
- (73) Assignee: **GC Corporation**, Shizuoka (JP)
- (**) Term: **15 Years**
- (21) Appl. No.: **29/705,307**
- (22) Filed: **Sep. 11, 2019**
- (30) **Foreign Application Priority Data**

Mar. 28, 2019 (JP) 2019-006700

(51) **LOC (13) Cl.** **28-03**

(52) **U.S. Cl.**
USPC **D28/66**

(58) **Field of Classification Search**
USPC D28/65-68; D7/672; D1/106, 117, 126,
D1/127, 128
CPC A61C 15/00; A61C 15/04; A61C 15/046;
A61C 15/047; A61C 15/048
See application file for complete search history.

(56) **References Cited**

U.S. PATENT DOCUMENTS

- D214,928 S * 8/1969 Baldwin D21/470
- D222,999 S * 2/1972 Fujisawa D21/470
- 4,008,526 A * 2/1977 Swett A63F 9/06
434/259
- D268,274 S * 3/1983 Greenberg D19/59
- D269,289 S * 6/1983 Nakao D21/470
- D296,451 S * 6/1988 Ming D21/470
- D319,082 S * 8/1991 Harris D21/470
- D380,240 S * 6/1997 Johnson, Jr. D21/470

- 5,941,589 A * 8/1999 Perlman B60R 11/00
296/37.6
- 5,947,786 A * 9/1999 Glick G09B 23/04
446/85
- D482,080 S * 11/2003 Godin D21/470

OTHER PUBLICATIONS

Tupperware Shape-O Toy, National Museum of American History, americanhistory.si.edu (Year: 1969).*

* cited by examiner

Primary Examiner — Zenia I Bennett

(74) Attorney, Agent, or Firm — IPUSA, PLLC

(57) **CLAIM**

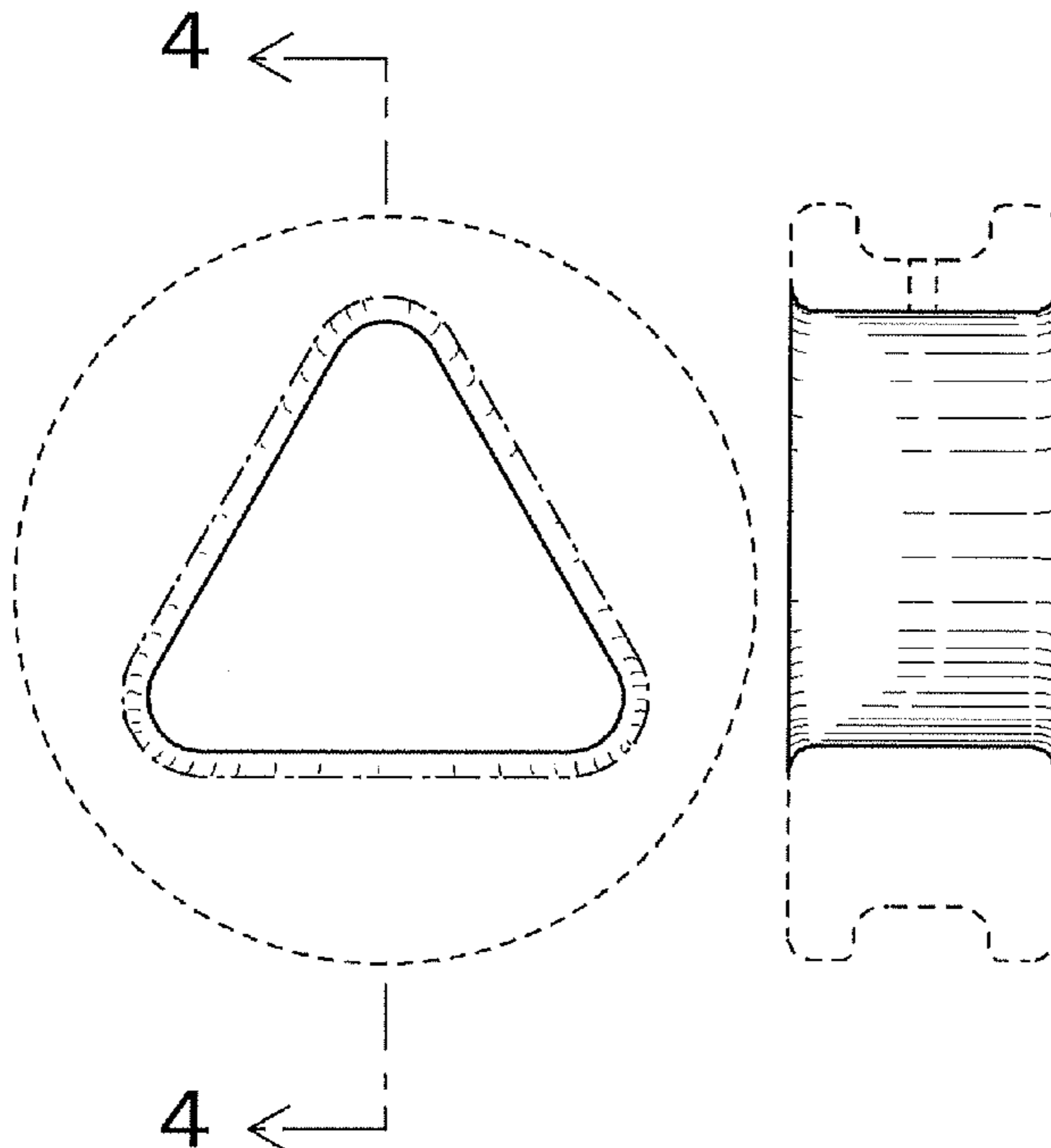
The ornamental design for a dental floss holder, as shown and described.

DESCRIPTION

FIG. 1 is a front view of a dental floss holder, showing our new design;
FIG. 2 is a right side view thereof;
FIG. 3 is a top plan view thereof; and,
FIG. 4 is a sectional view thereof, taken along line 4-4 of FIG. 1.

In the drawings, the broken lines shown represent portions of the dental floss holder that form no part of the claimed design. The dot-dash lines represent only the boundary between the claimed portion and unclaimed portions. The rear view is omitted, because it is a mirror image of the front view. All sides not shown except for the rear view form no part of the claimed design.

1 Claim, 2 Drawing Sheets



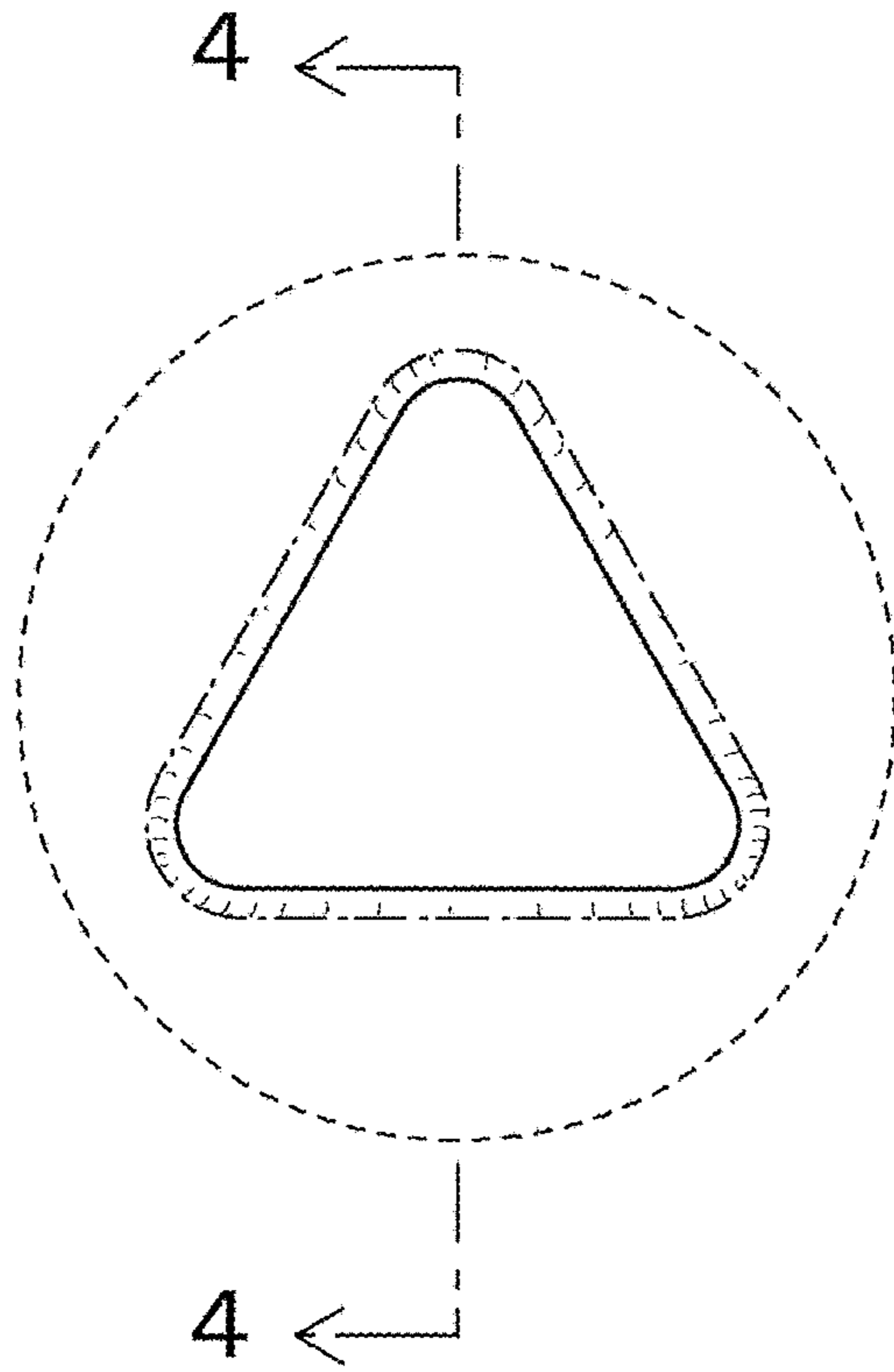


Fig. 1

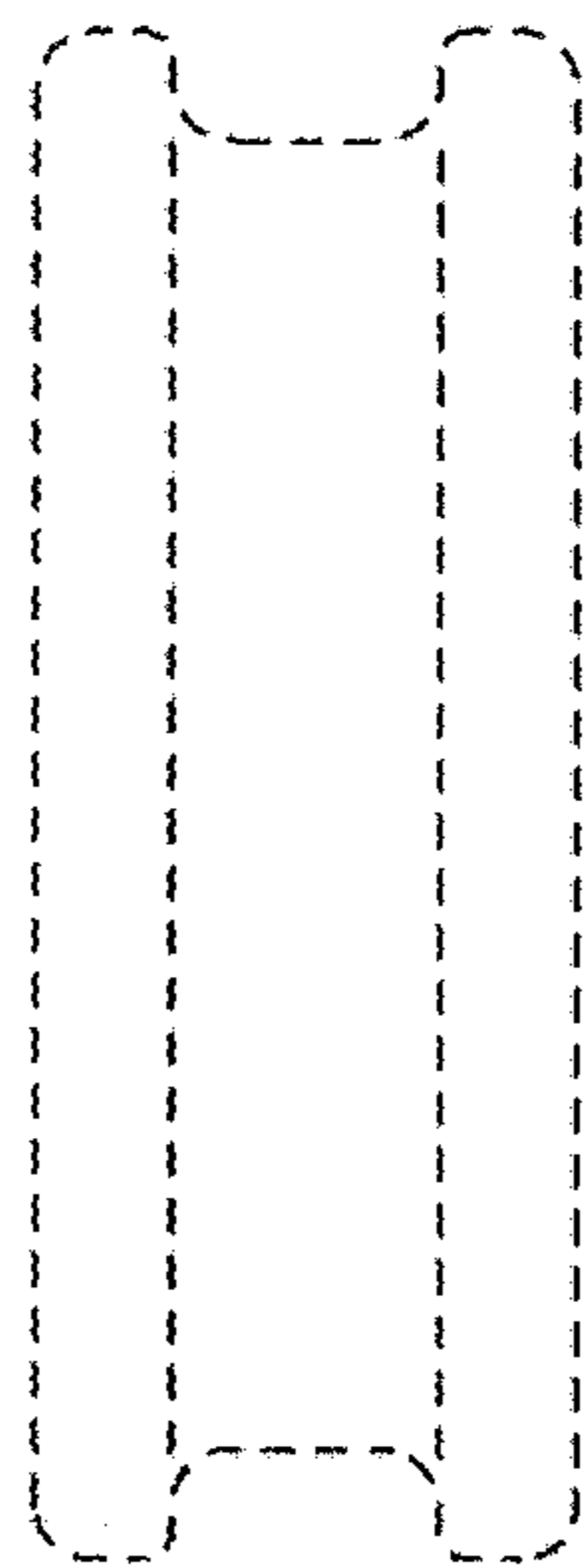


Fig. 2

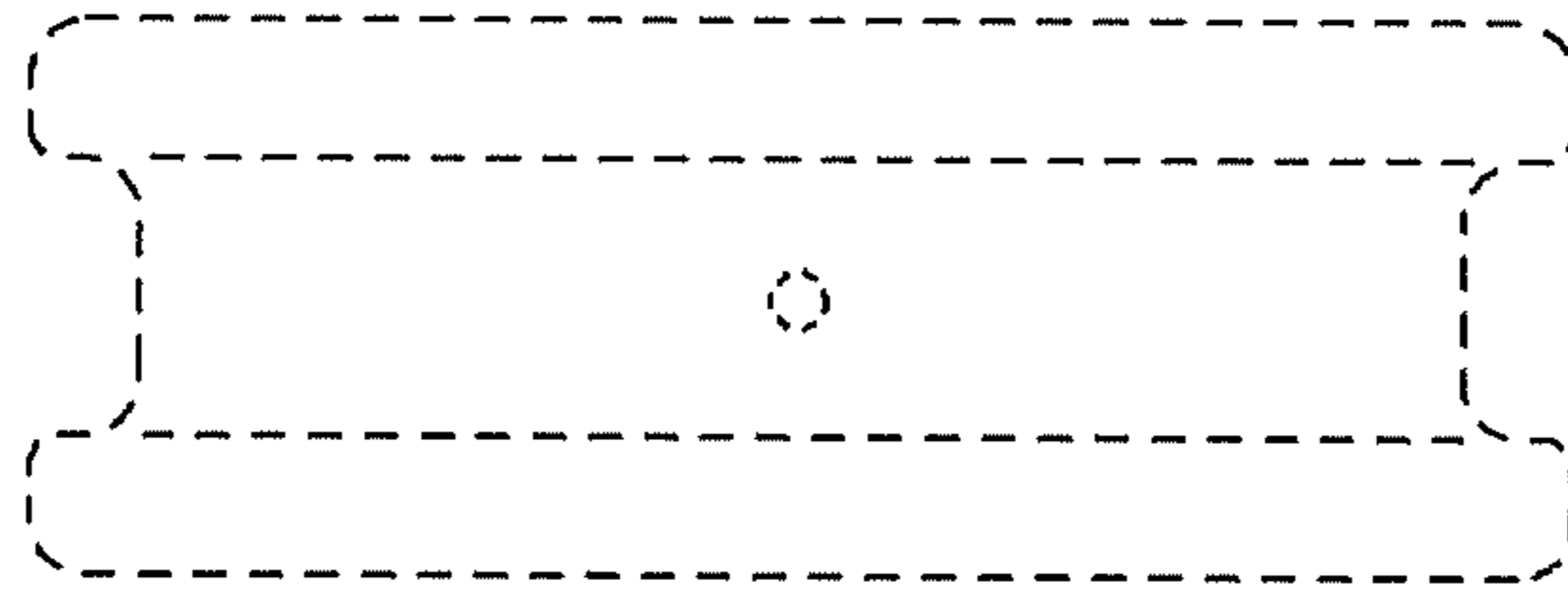


Fig. 3

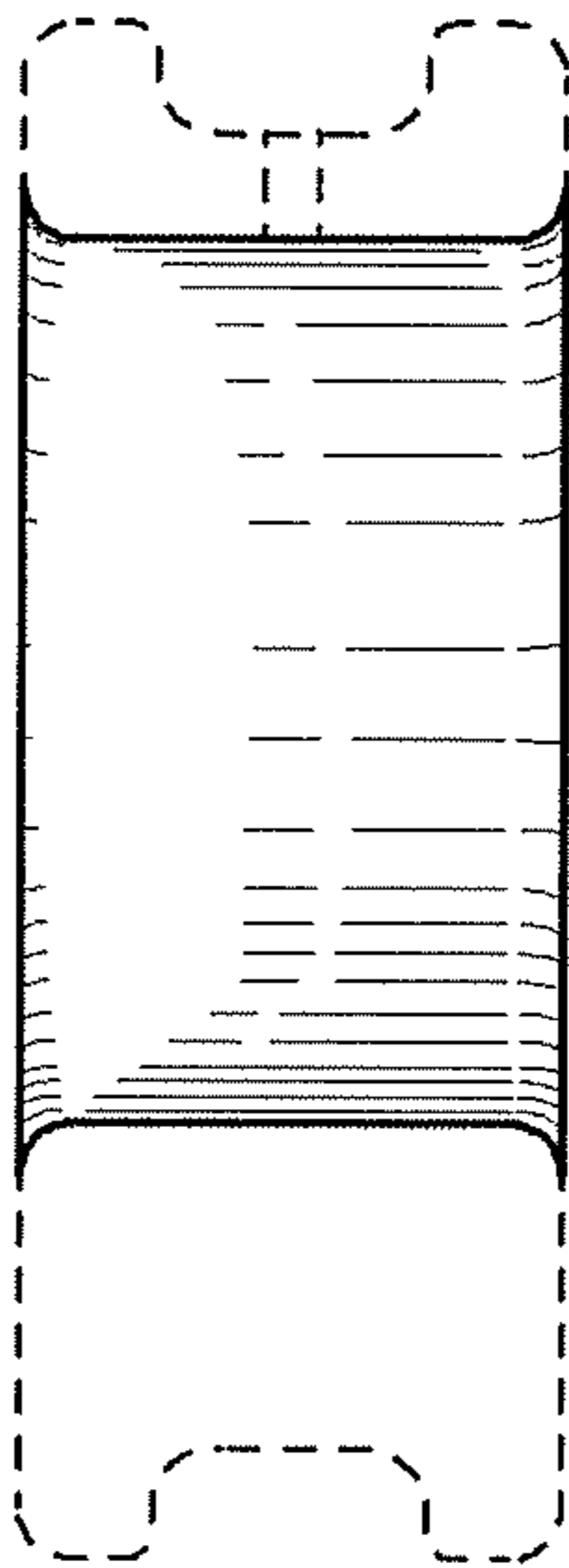


Fig. 4