

US00D952257S

(12) **United States Design Patent**  
**Jiang**

(10) **Patent No.:** **US D952,257 S**

(45) **Date of Patent:** **\*\* May 17, 2022**

(54) **ELECTRIC HAIR CLIPPER**  
(71) Applicant: **NINGBO ICLIPPER ELECTRIC APPLIANCE CO., LTD.**, Ningbo (CN)

(72) Inventor: **Qi Jiang**, Ningbo (CN)

(73) Assignee: **NINGBO ICLIPPER ELECTRIC APPLIANCE CO., LTD.**, Ningbo (CN)

(\*\*) Term: **15 Years**

(21) Appl. No.: **29/780,961**

(22) Filed: **Apr. 27, 2021**

(51) **LOC (13) Cl.** ..... **28-03**

(52) **U.S. Cl.**  
USPC ..... **D28/53**

(58) **Field of Classification Search**  
USPC ..... D28/49-54; D30/159  
CPC ..... B26B 19/00; B26B 19/04; B26B 19/06;  
B26B 19/10; B26B 19/18; B26B 19/38  
See application file for complete search history.

(56) **References Cited**

**U.S. PATENT DOCUMENTS**

D534,689 S	1/2007	Gross et al.
D682,471 S	5/2013	Yde et al.
D696,459 S	12/2013	Chan
D787,746 S	5/2017	Werner
D800,386 S	10/2017	Fleming et al.
D800,965 S	10/2017	Aulwes et al.
D814,702 S	4/2018	Aulwes et al.
D815,355 S	4/2018	Fleming et al.

D847,432 S	4/2019	Aulwes et al.	
D851,834 S	6/2019	Peterson, Jr. et al.	
D865,292 S	10/2019	Peterson, Jr.	
D867,663 S *	11/2019	Boulanger	D28/53
D880,067 S	3/2020	Hu	
D910,918 S *	2/2021	Jiang	D28/53
D910,919 S *	2/2021	Jiang	D28/53
D910,920 S *	2/2021	Jiang	D28/53
D917,797 S *	4/2021	Fancelli	D30/158
D922,685 S *	6/2021	Jiang	D28/54
D922,686 S *	6/2021	Jiang	D28/54
D923,247 S *	6/2021	Jiang	D28/53
D923,248 S *	6/2021	Jiang	D28/53
D930,244 S *	9/2021	Cai	D28/53
2020/0376694 A1 *	12/2020	Carlucci	B26B 19/063

\* cited by examiner

*Primary Examiner* — Alison M Ofstun

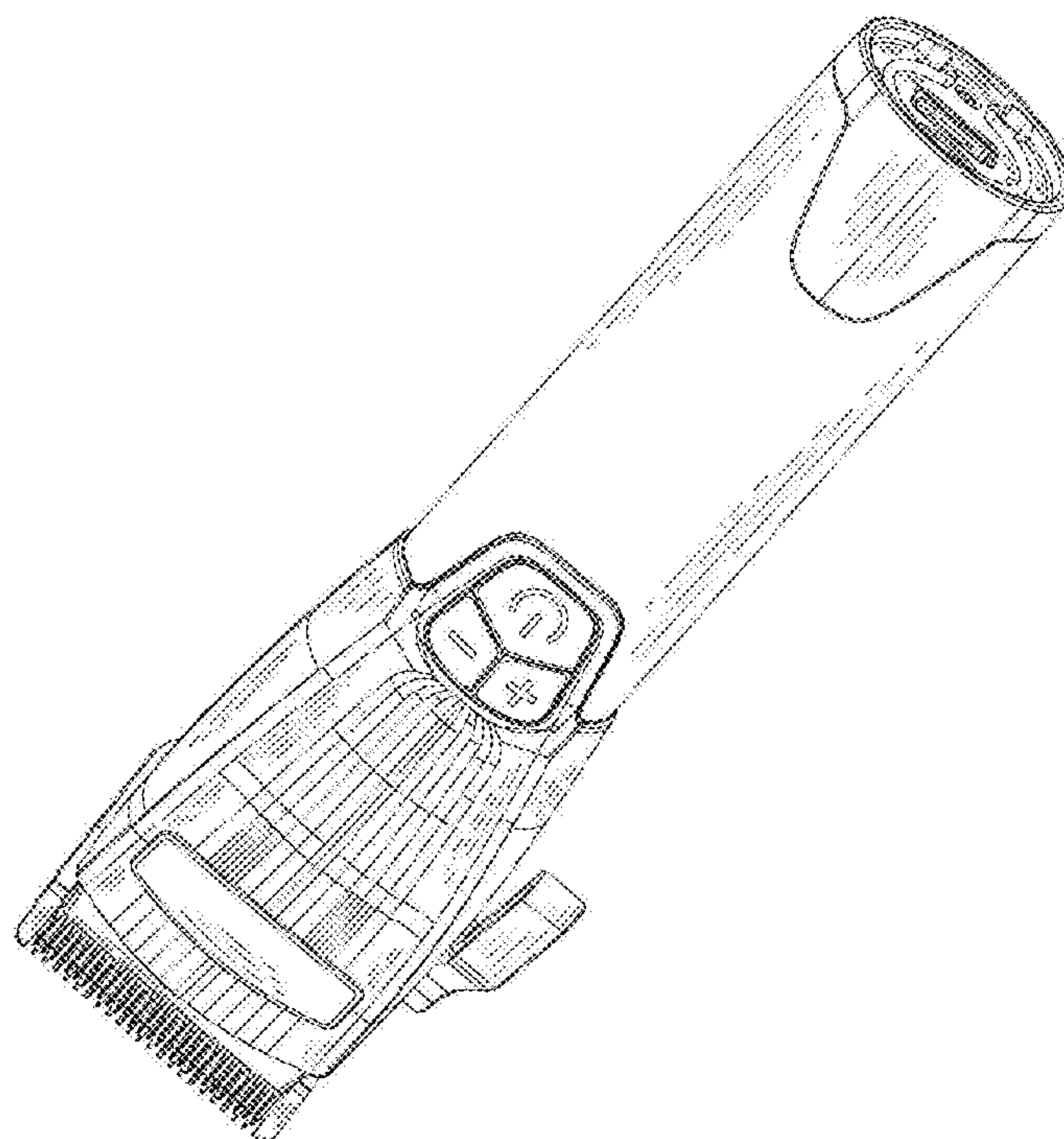
(57) **CLAIM**

The ornamental design for an electric hair clipper, as shown and described.

**DESCRIPTION**

FIG. 1 is a front elevation view of an electric hair clipper showing my new design;  
FIG. 2 is a back elevation view thereof;  
FIG. 3 is a right-side view thereof;  
FIG. 4 is a left-side view thereof;  
FIG. 5 is a top plan view thereof;  
FIG. 6 is a bottom plan view thereof;  
FIG. 7 is a top right perspective view thereof; and,  
FIG. 8 is a bottom left perspective view thereof.  
The broken lines depict portions of the article that form no part of the claimed design.

**1 Claim, 8 Drawing Sheets**



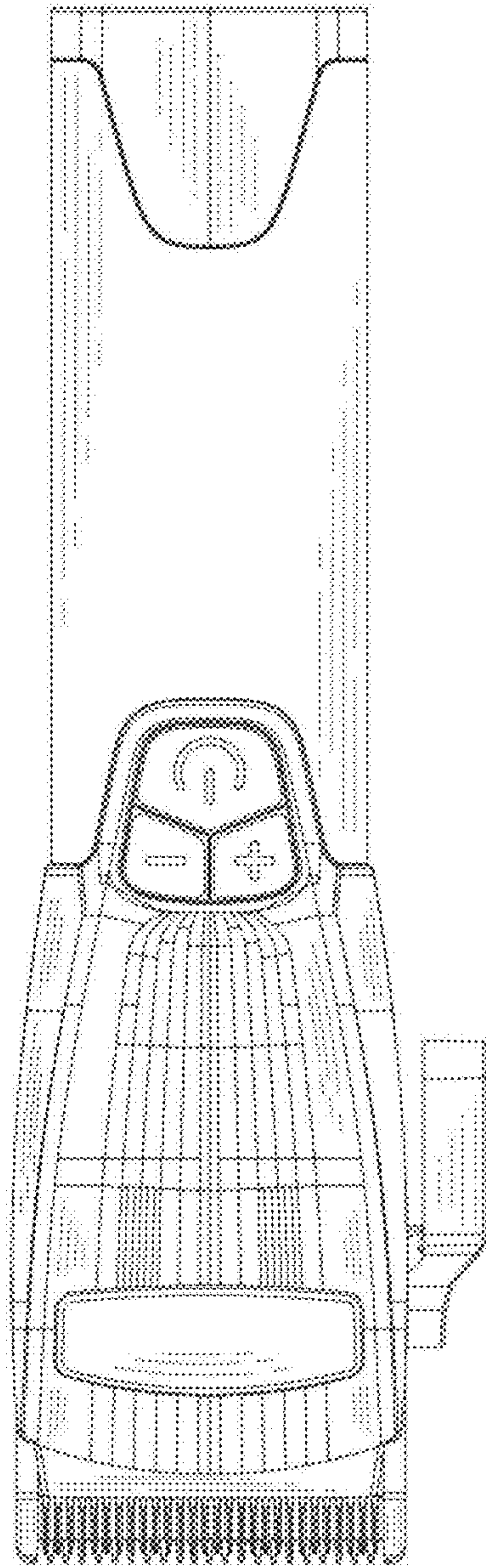


FIG. 1

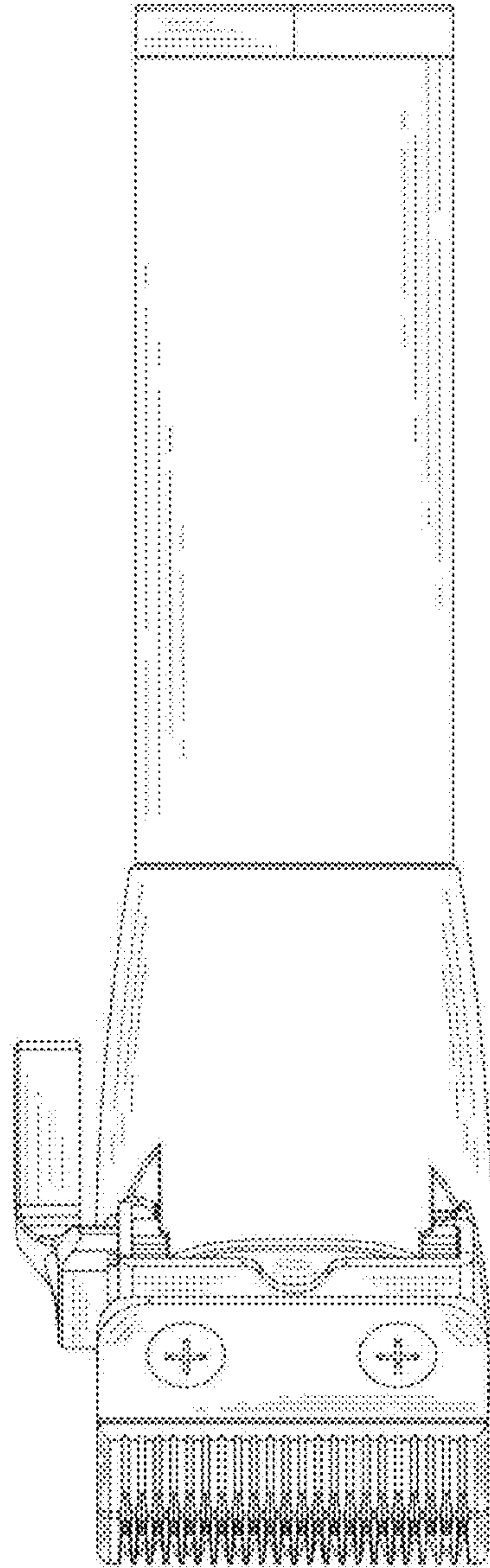


FIG. 2

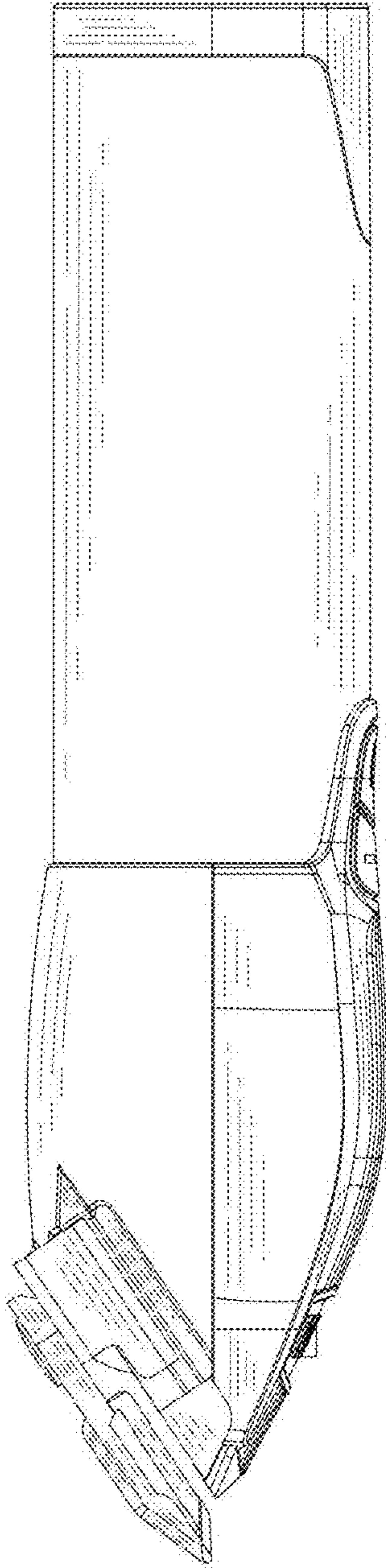


FIG. 3



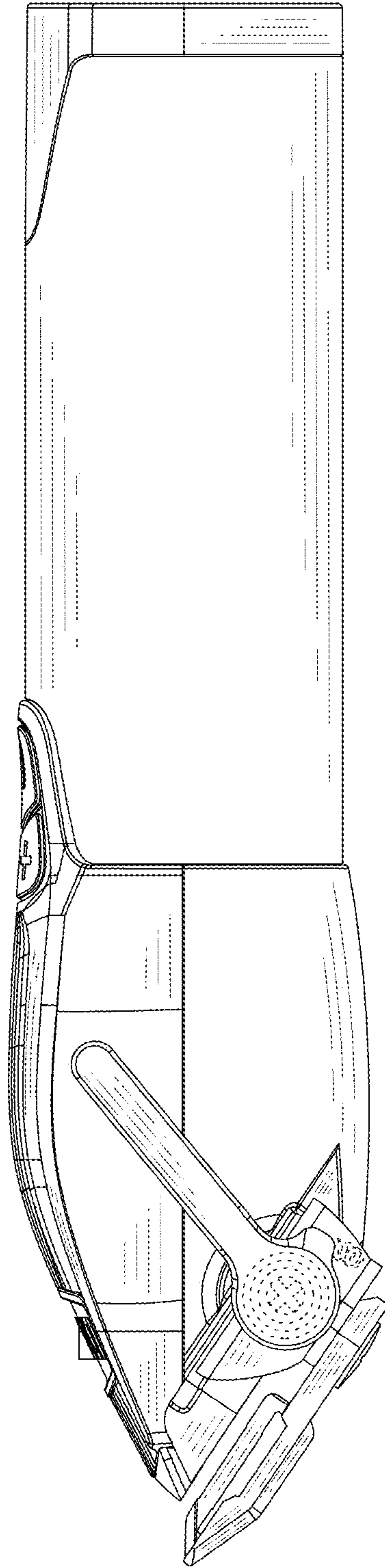


FIG. 4

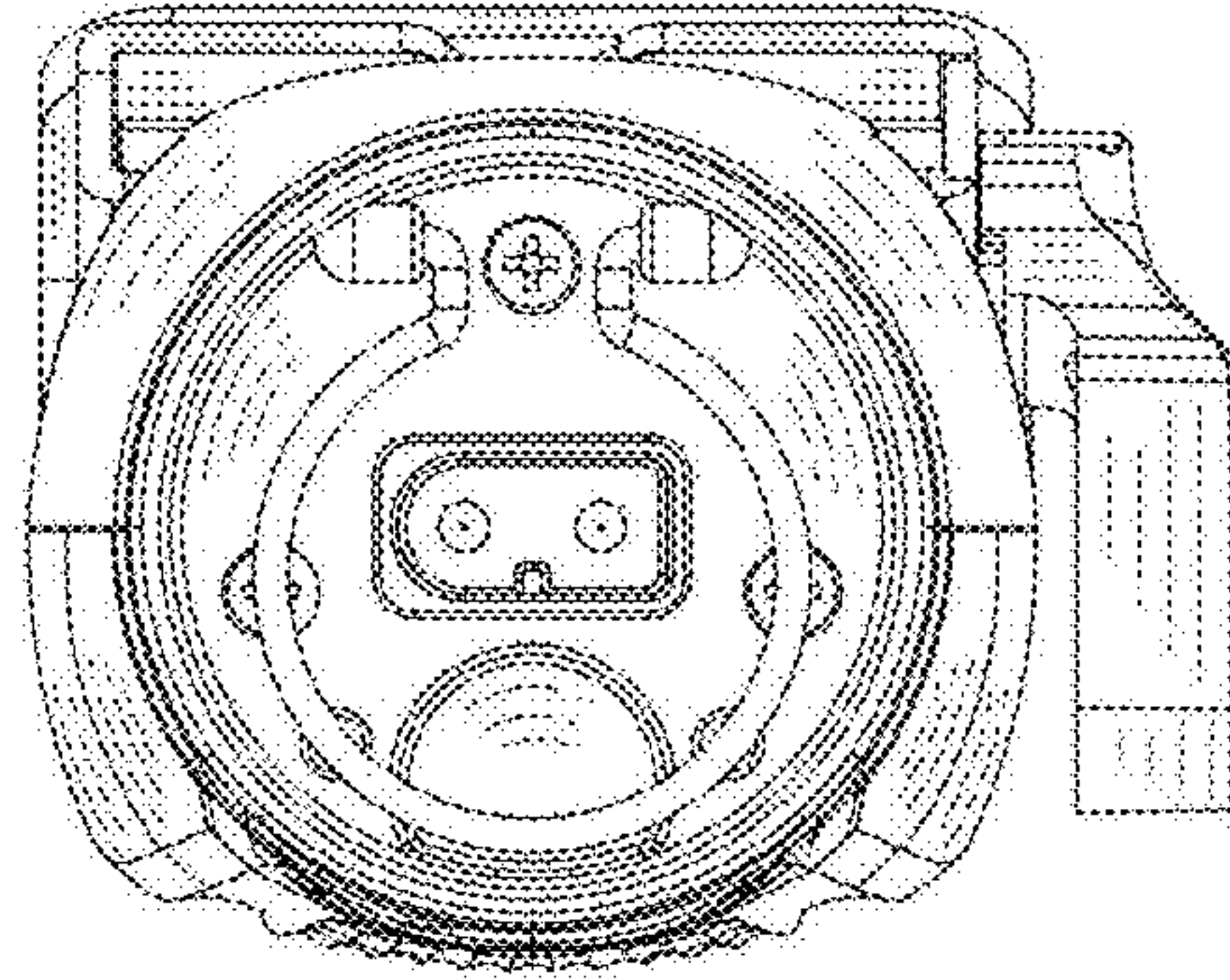


FIG. 5

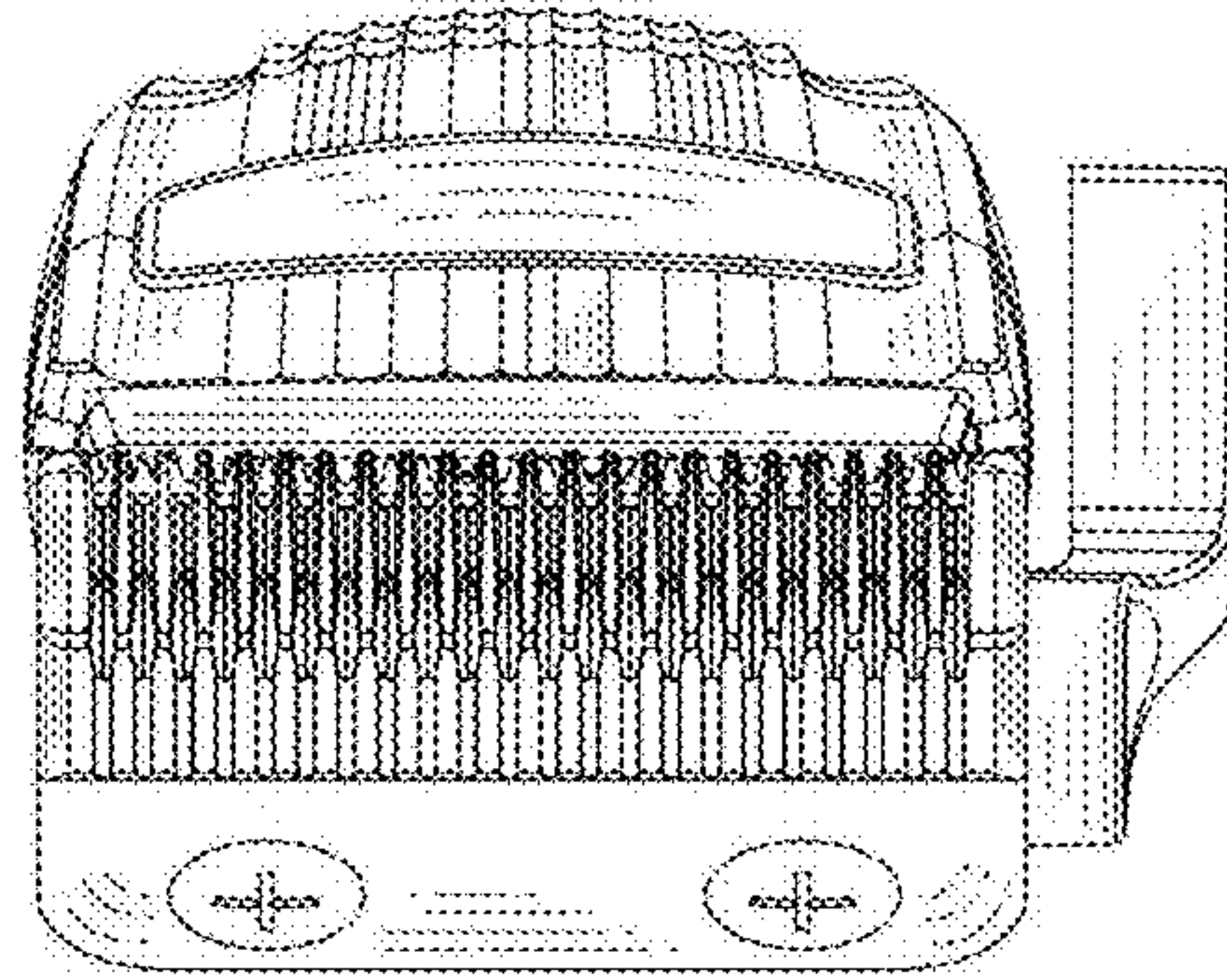


FIG. 6

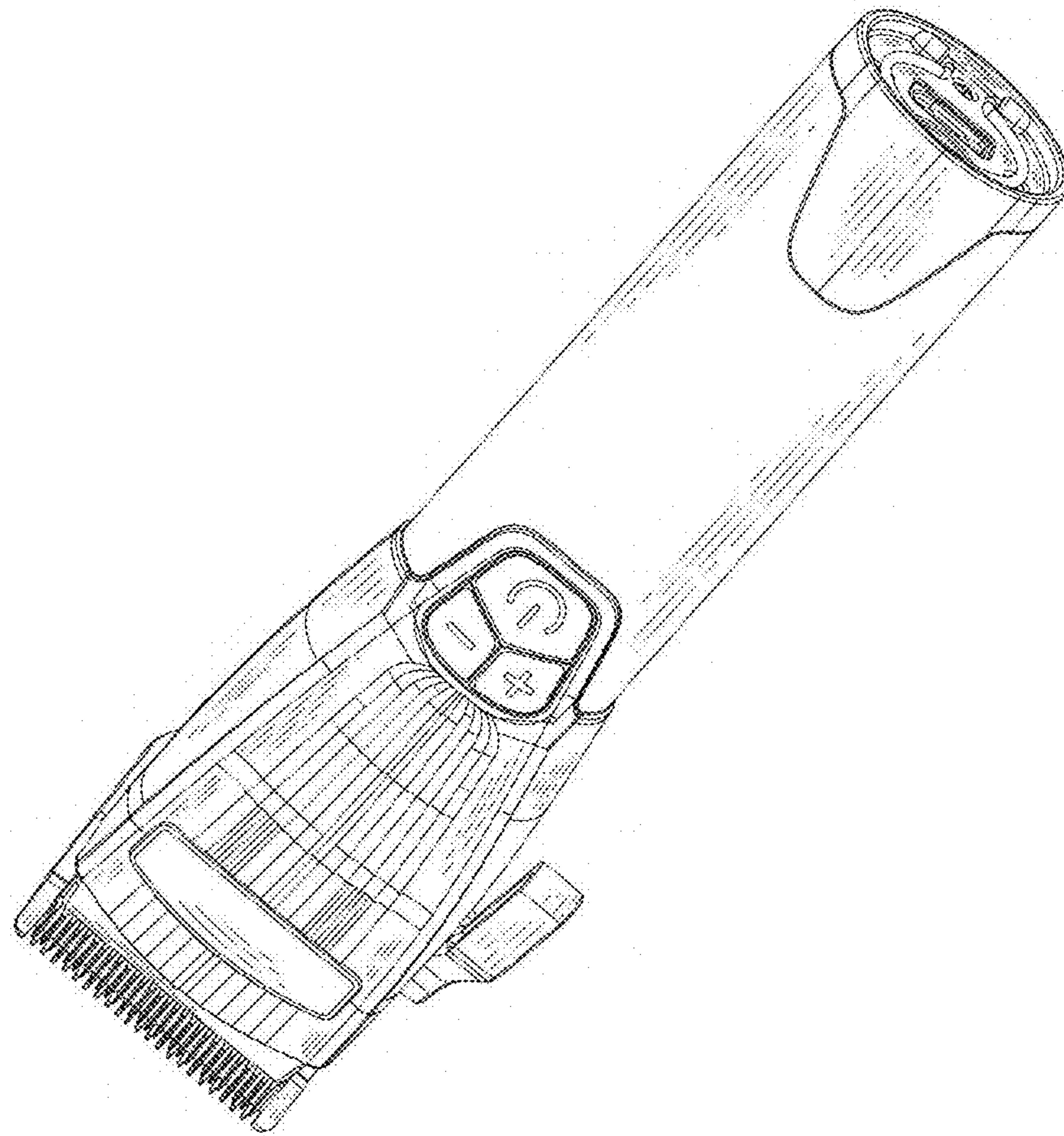


FIG. 7



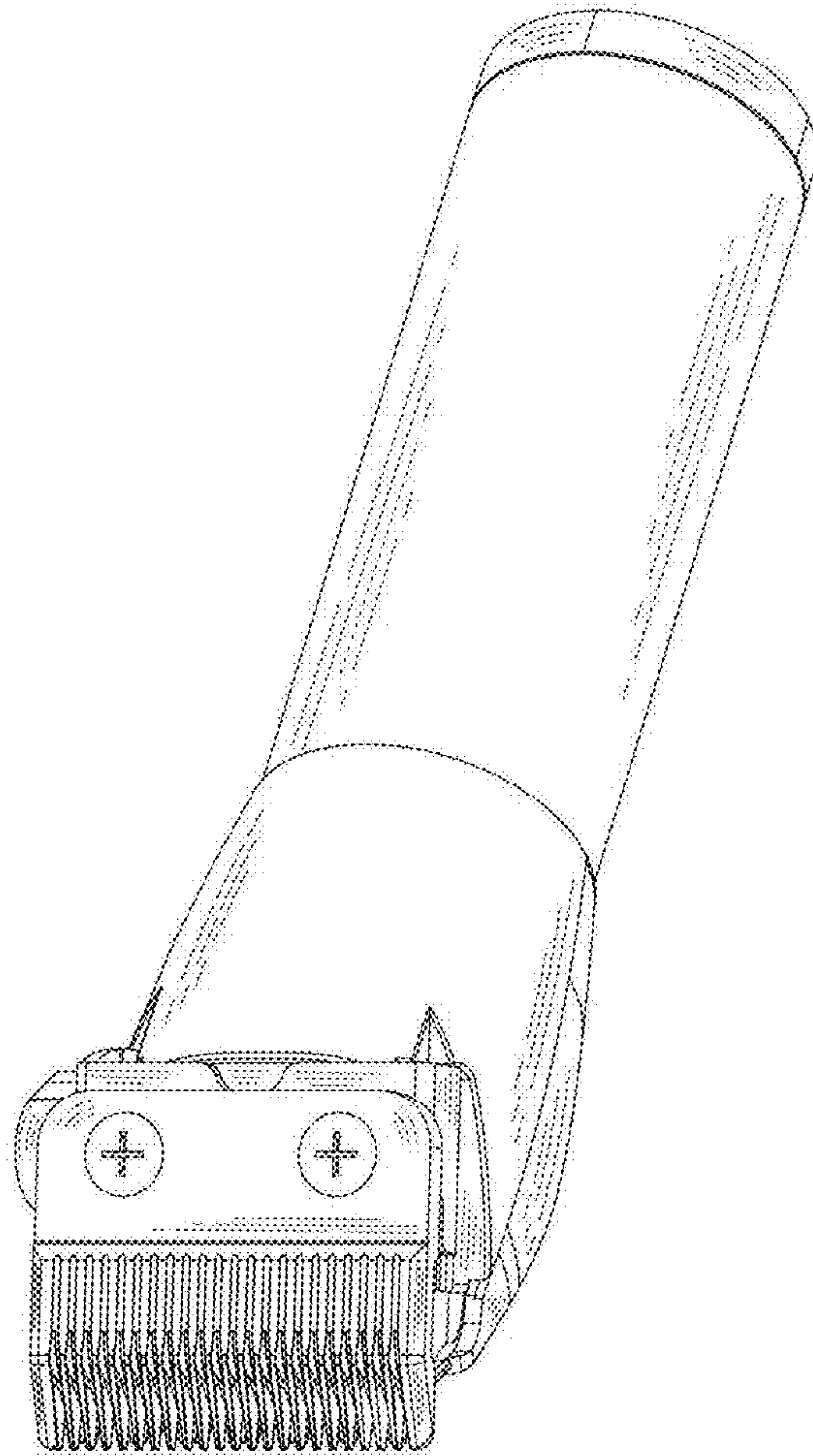


FIG. 8