



US00D952254S

(12) **United States Design Patent** (10) **Patent No.:** **US D952,254 S**
Hurtado et al. (45) **Date of Patent:** **** May 17, 2022**

(54) **RAZOR**

(71) Applicant: **The Gillette Company LLC**, Boston, MA (US)

(72) Inventors: **Armando Miguel Hurtado**, Boston, MA (US); **Christopher Andrew Emanuel**, Dedham, MA (US); **Jonathon Albert Riehle**, Brighton, MA (US); **Jahdiel Fyfield**, Roslindale, MA (US)

(73) Assignee: **The Gillette Company LLC**, Boston, MA (US)

(**) Term: **15 Years**

(21) Appl. No.: **29/741,906**

(22) Filed: **Jul. 16, 2020**

(51) **LOC (13) Cl.** **28-03**

(52) **U.S. Cl.**
USPC **D28/46**

(58) **Field of Classification Search**
USPC D28/46-48
CPC B26B 21/52-528; B26B 21/22-38; B26B 21/08; B26B 21/14
See application file for complete search history.

(56) **References Cited**

U.S. PATENT DOCUMENTS

D550,401 S *	9/2007	Rhoad	D28/48
D602,634 S *	10/2009	Cataudella	D28/46
D613,456 S *	4/2010	Cataudella	D28/46
8,186,062 B2 *	5/2012	Fischer	B26B 21/4018 30/34.2
8,448,339 B2 *	5/2013	Walker, Jr.	B26B 21/4031 30/47
D843,058 S *	3/2019	Fyfield	D28/46
D843,060 S *	3/2019	Fyfield	D28/48
D843,659 S *	3/2019	Go	D28/48

D874,725 S *	2/2020	Riehle	D28/46
D882,175 S *	4/2020	Riehle	D28/48
D939,773 S *	12/2021	Kim	D28/48
D945,068 S *	3/2022	Lee	D28/48
2011/0203124 A1 *	8/2011	Bridges	B26B 21/4037 30/539
2019/0299465 A1 *	10/2019	Gester	B26B 21/48
2020/0070374 A1 *	3/2020	Long	B26B 21/521
2020/0070375 A1 *	3/2020	Hurtado	B25G 3/38

(Continued)

FOREIGN PATENT DOCUMENTS

CN	305475418	12/2019
WO	200832	8/2019

OTHER PUBLICATIONS

All Office Actions, U.S. Appl. No. 29/717,365.

(Continued)

Primary Examiner — Jennifer Rivard

(74) *Attorney, Agent, or Firm* — Joanne N. Pappas; Kevin C. Johnson

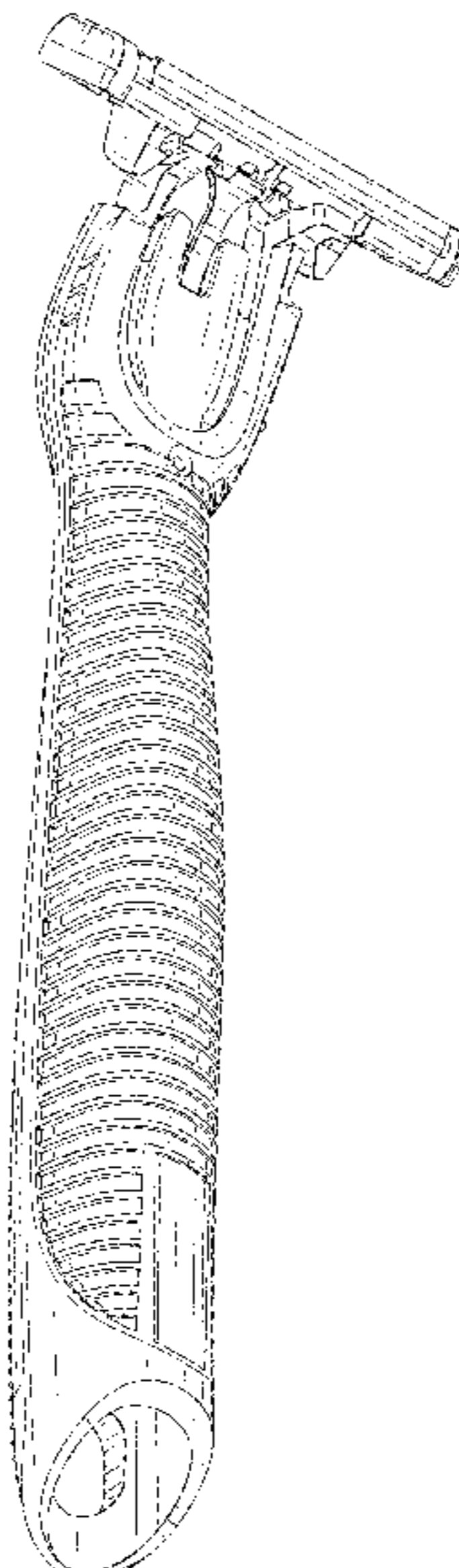
(57) **CLAIM**

The ornamental design for a razor, as shown and described.

DESCRIPTION

FIG. 1 is a front perspective view of a design of a razor of the present invention;
FIG. 2 is a front view thereof;
FIG. 3 is a back view thereof;
FIG. 4 is a right side view thereof;
FIG. 5 is a left side view thereof;
FIG. 6 is a top view thereof;
FIG. 7 is a bottom view thereof; and,
FIG. 8 is rear perspective view thereof.
The broken lines illustrate portions of the razor and form no part of the claimed design.

1 Claim, 6 Drawing Sheets



(56)

References Cited

U.S. PATENT DOCUMENTS

2022/0001559 A1* 1/2022 Hiller B26B 21/4056

OTHER PUBLICATIONS

All Office Actions, U.S. Appl. No. 29/741,900.
All Office Actions, U.S. Appl. No. 29/741,901.
U.S. Appl. No. 29/741,900, filed Jul. 16, 2020, Jonathon Albert Riehle et al.
U.S. Appl. No. 29/741,901, filed Jul. 16, 2020, Armando Miguel Hurtado et al.
U.S. Appl. No. 29/717,365, filed Dec. 17, 2019, Christopher Ramm et al.

* cited by examiner

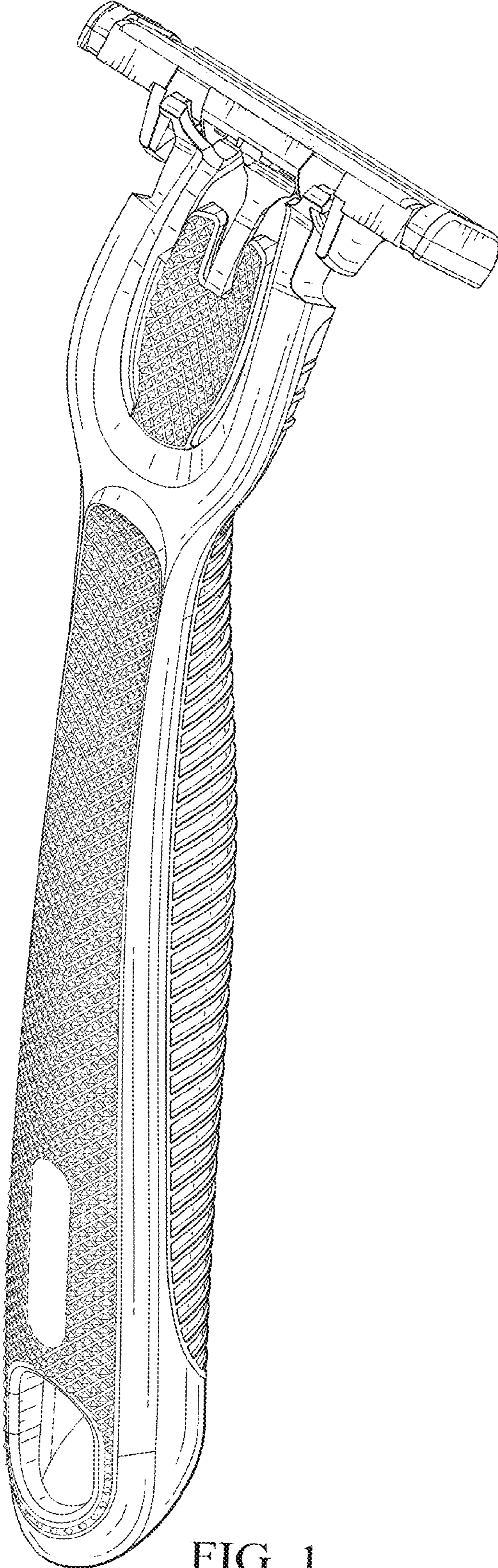


FIG. 1

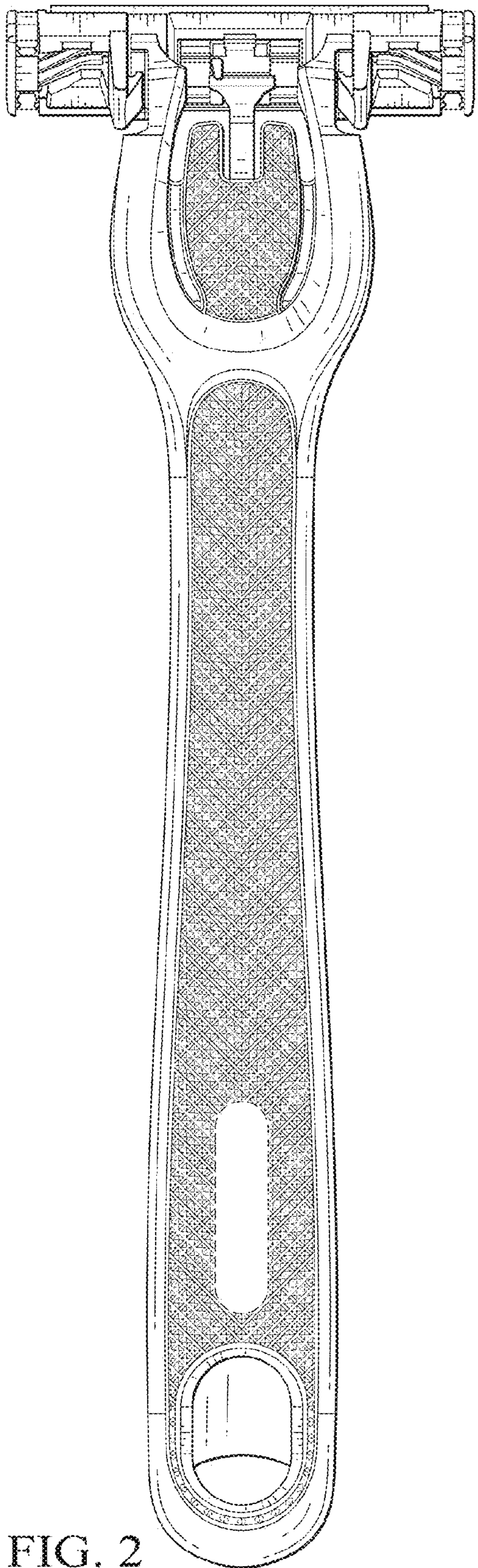


FIG. 2

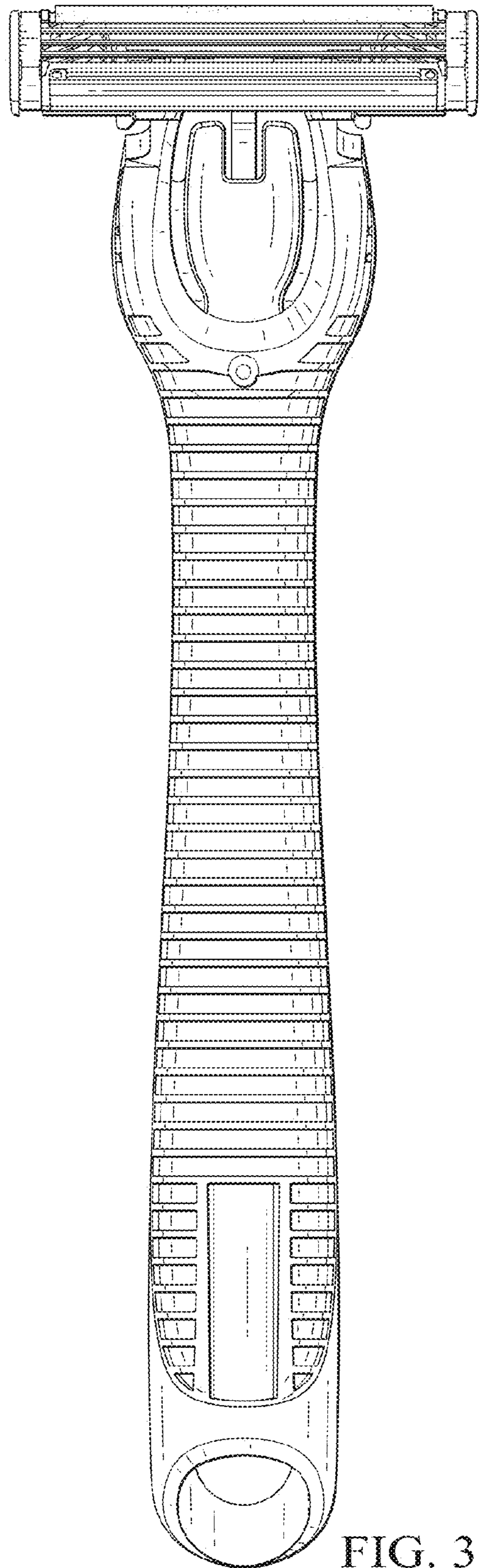


FIG. 3

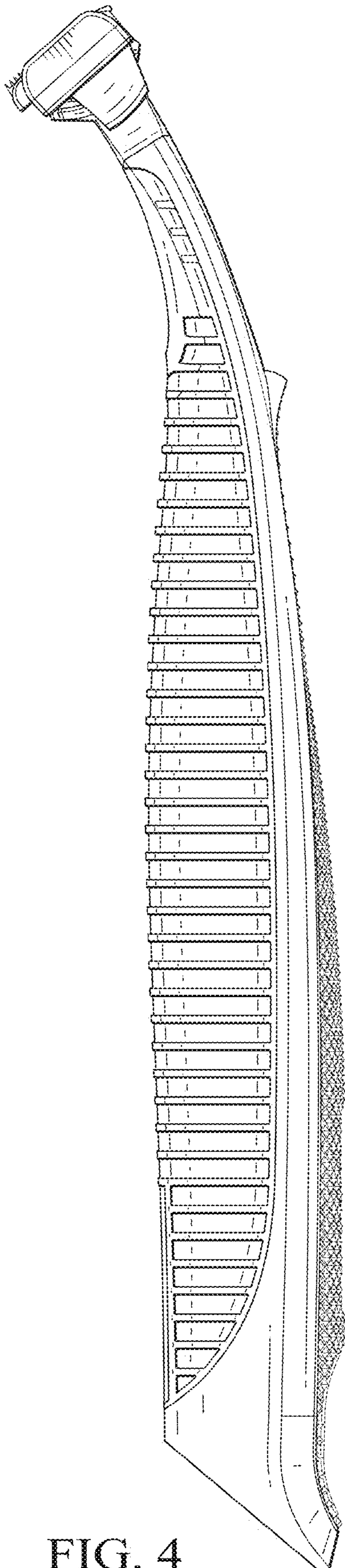


FIG. 4

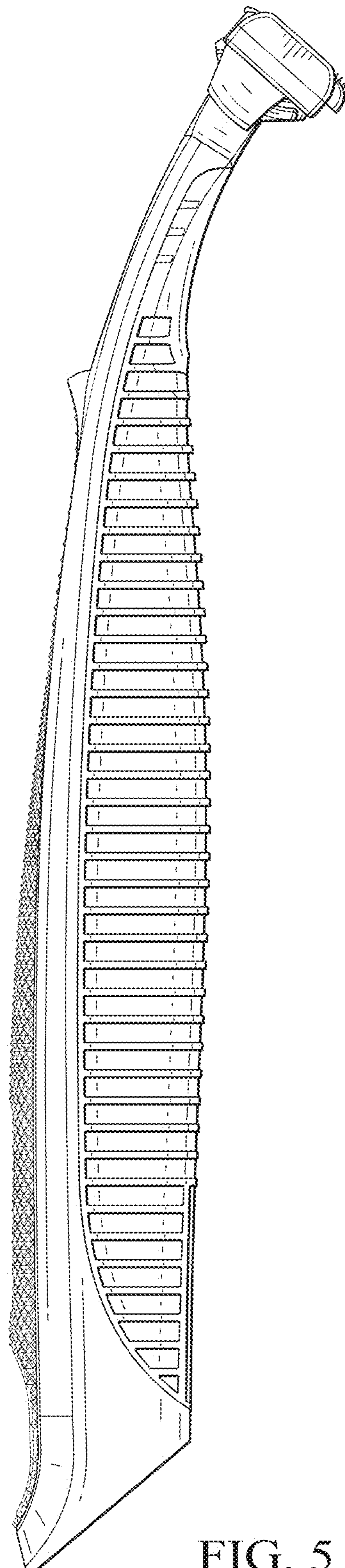


FIG. 5

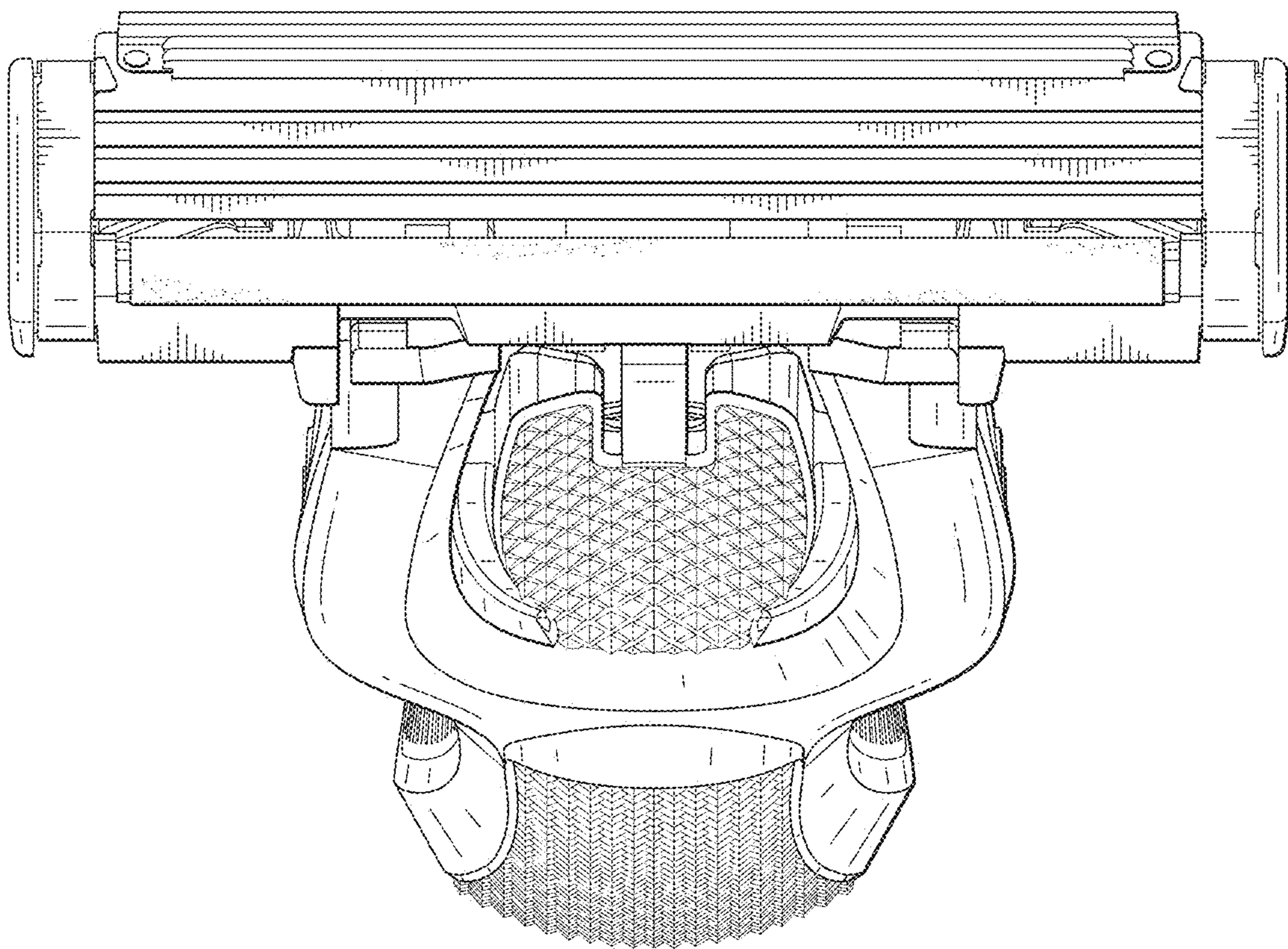


FIG. 6

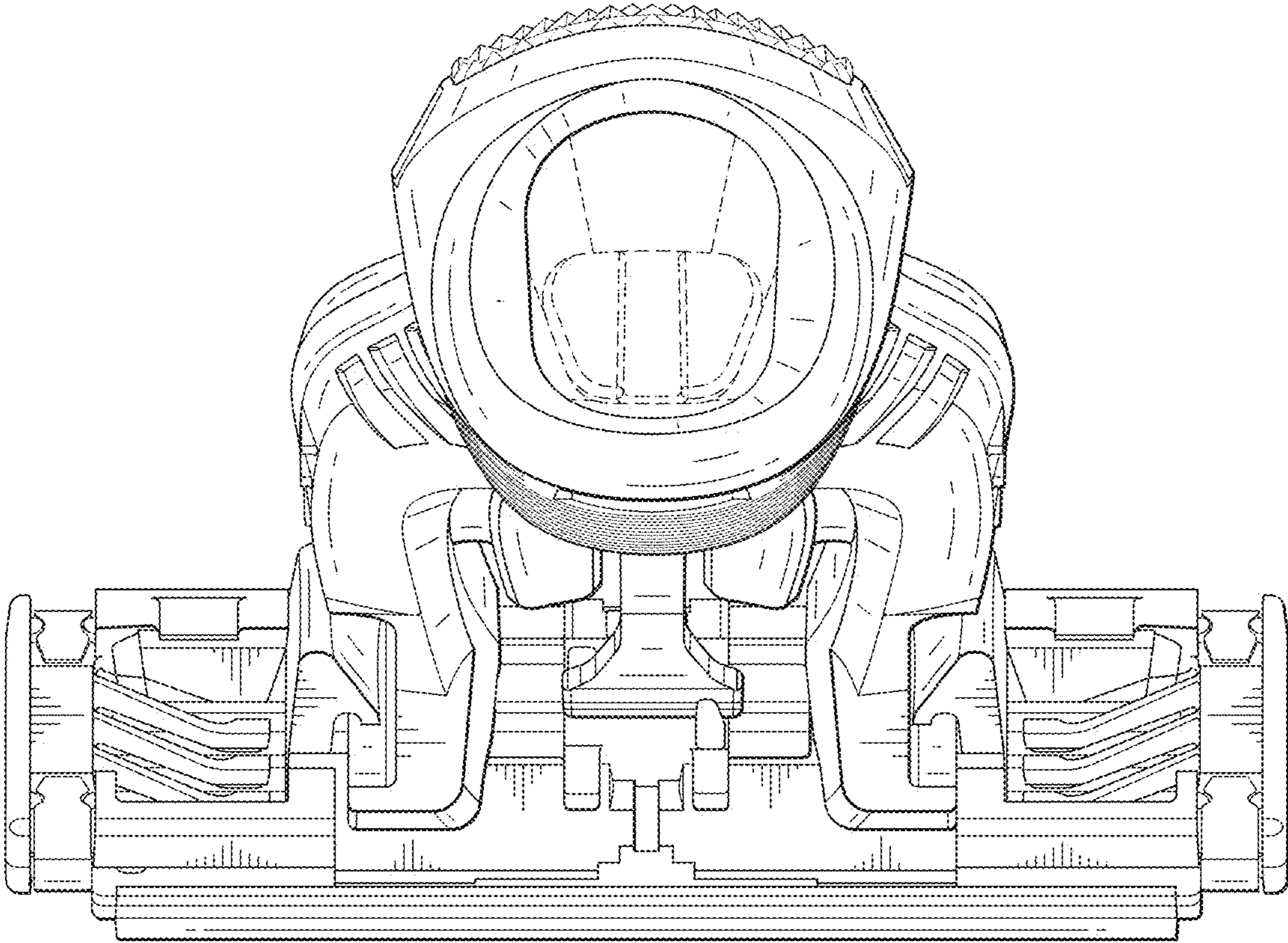


FIG. 7

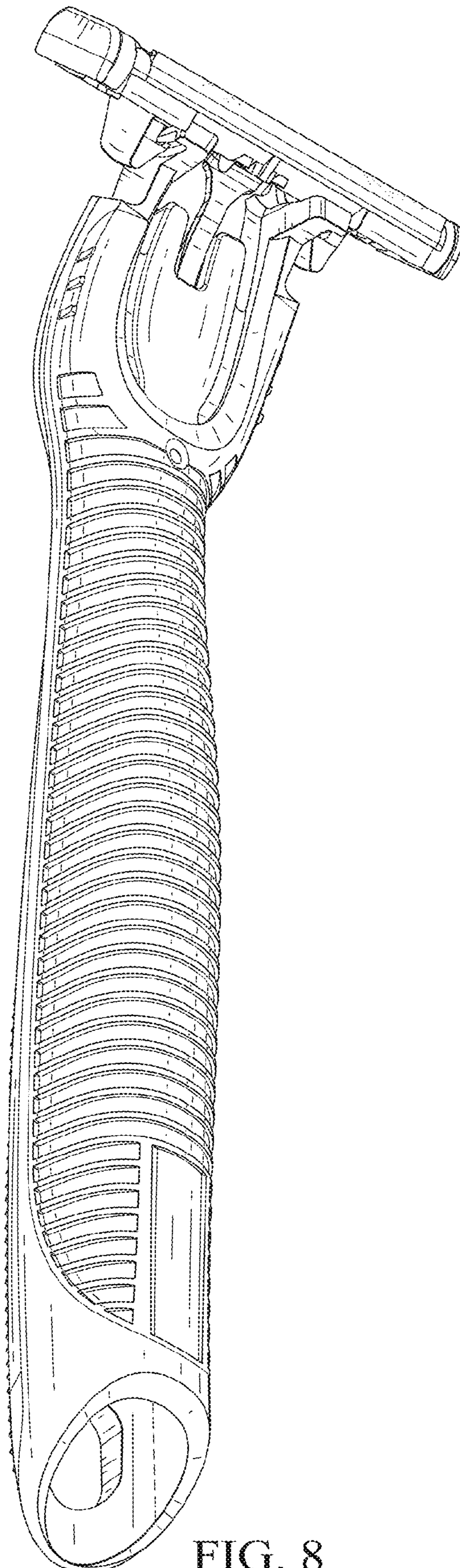


FIG. 8