



US00D952252S

(12) **United States Design Patent**
Yuan

(10) **Patent No.:** **US D952,252 S**
(45) **Date of Patent:** **** May 17, 2022**

(54) **HOT COMB HAIR STRAIGHTENER**

(71) Applicant: **Yufei Yuan**, Dongguan (CN)

(72) Inventor: **Yufei Yuan**, Dongguan (CN)

(**) Term: **15 Years**

(21) Appl. No.: **29/744,378**

(22) Filed: **Jul. 29, 2020**

(51) **LOC (13) Cl.** **28-03**

(52) **U.S. Cl.**
USPC **D28/24; D28/35**

(58) **Field of Classification Search**
USPC D28/35, 24, 18, 37; D4/100
CPC .. A45D 24/007; A45D 2/00-002; A45D 1/00;
A45D 1/04; A45D 1/06-14; A45D
2/38-40; A45D 2001/004-008
See application file for complete search history.

(56) **References Cited**

U.S. PATENT DOCUMENTS

1,527,718	A *	2/1925	Wagner	A45D 2/002
					132/139
D231,144	S *	4/1974	Wolff	D28/24
D253,849	S *	1/1980	Schroeder	D28/24
D324,586	S *	3/1992	Montagnino	D28/24
D765,911	S *	9/2016	Hollinger	D28/35
D771,310	S *	11/2016	He	D28/35
D901,899	S *	11/2020	Zhanye	D28/35
D904,032	S *	12/2020	Zeng	D28/35
D919,885	S *	5/2021	Liang	D28/35
2008/0302378	A1 *	12/2008	Rizzieri	A45D 1/06
					132/229
2015/0122286	A1 *	5/2015	Valle	A45D 2/002
					132/229

FOREIGN PATENT DOCUMENTS

CN 305512369 S 12/2019

* cited by examiner

Primary Examiner — Jennifer Rivard

(57) **CLAIM**

The ornamental design for a hot comb hair straightener, as shown and described.

DESCRIPTION

FIG. 1 is a front and top perspective view of a hot comb hair straightener showing my design according to a first embodiment;

FIG. 2 is a rear and bottom perspective view thereof;

FIG. 3 is a front elevation view thereof;

FIG. 4 is a rear elevation view thereof;

FIG. 5 is a left side elevation view thereof;

FIG. 6 is a right side elevation view thereof;

FIG. 7 is a top plan the view thereof;

FIG. 8 is a bottom plan the view thereof;

FIG. 9 is a front perspective view thereof, showing the hot comb straightener with an accessory attachment;

FIG. 10 is a front and top perspective view of a hot comb hair straightener showing my design according to a second embodiment;

FIG. 11 is a rear and bottom perspective view thereof;

FIG. 12 is a front elevation view thereof;

FIG. 13 is a rear elevation view thereof;

FIG. 14 is a left side elevation view thereof;

FIG. 15 is a right side elevation view thereof;

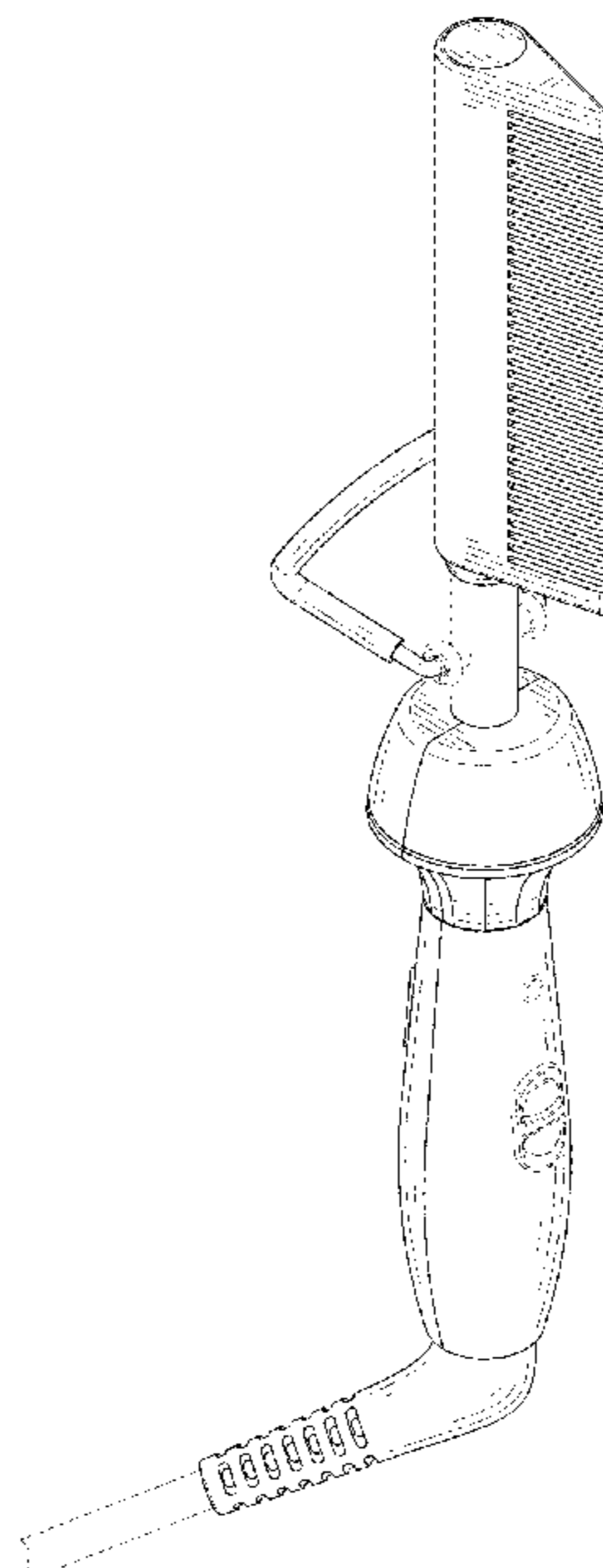
FIG. 16 is a top plan the view thereof;

FIG. 17 is a bottom plan the view thereof; and,

FIG. 18 is a front perspective view thereof, showing the hot comb straightener with an accessory attachment.

The broken line accessory attachments illustrate the environment of the hair comb hair straightener and the remaining broken lines illustrate portions of the hair comb hair straightener. The broken line disclosures form no part of the claimed design.

1 Claim, 18 Drawing Sheets



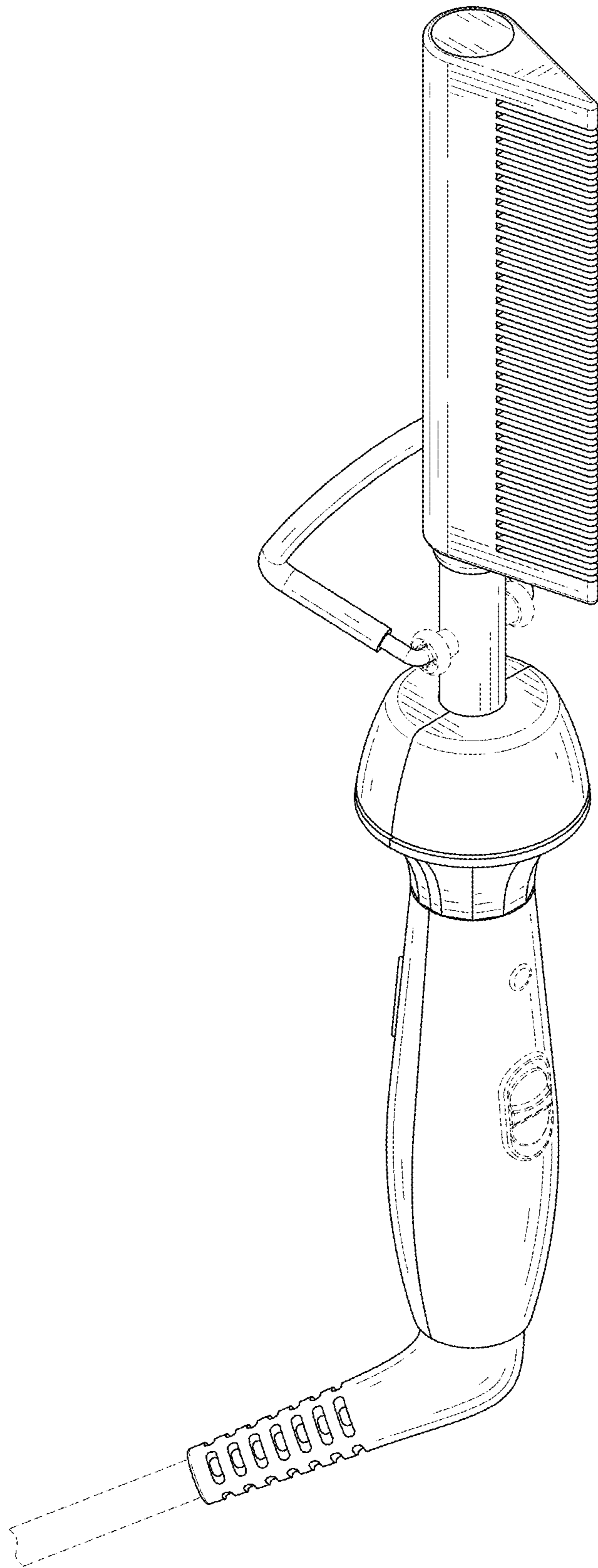


FIG. 1

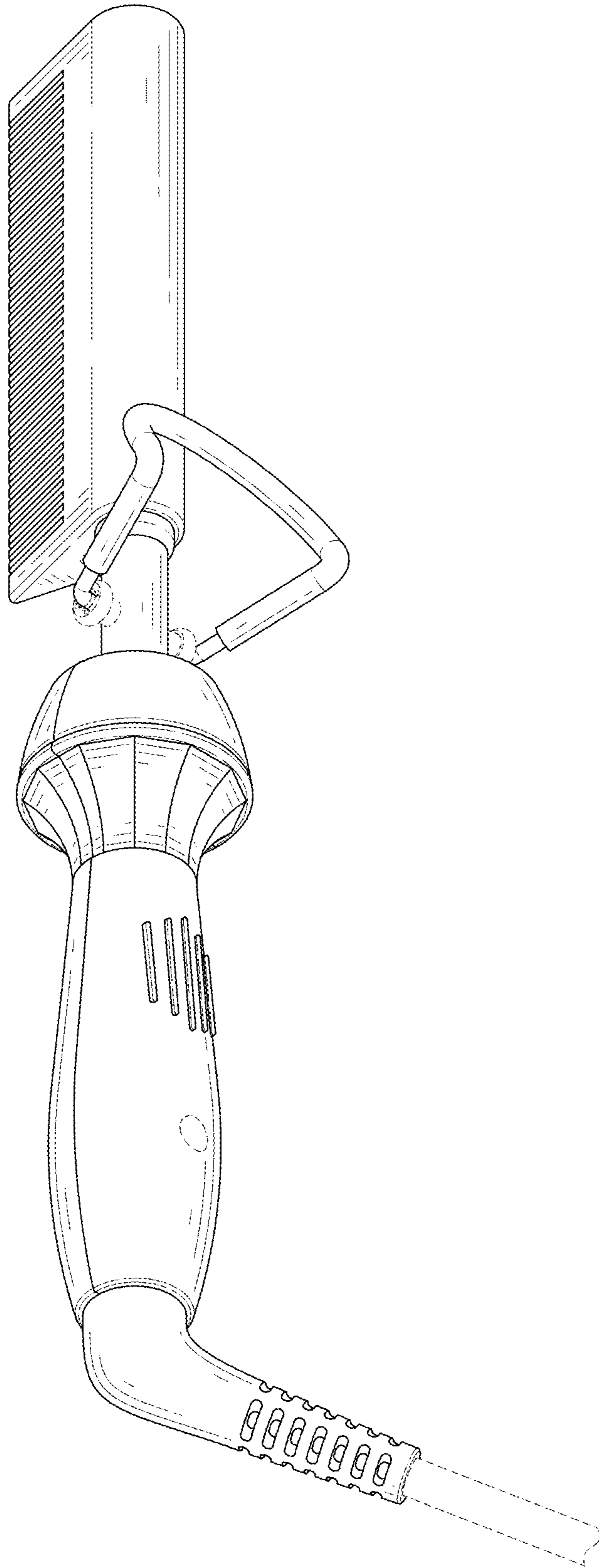


FIG. 2

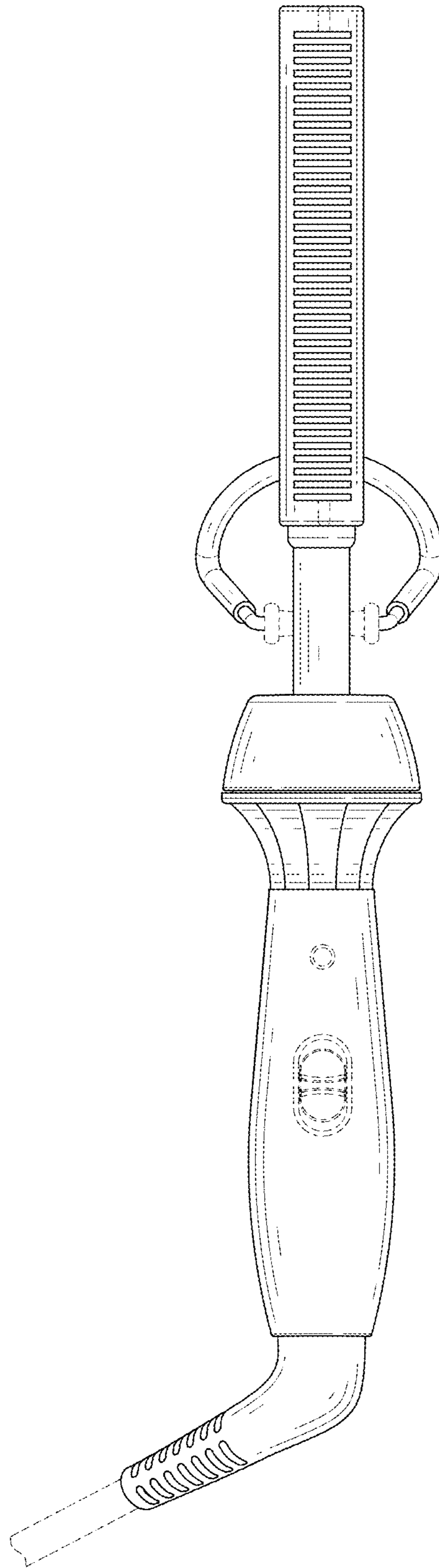


FIG. 3

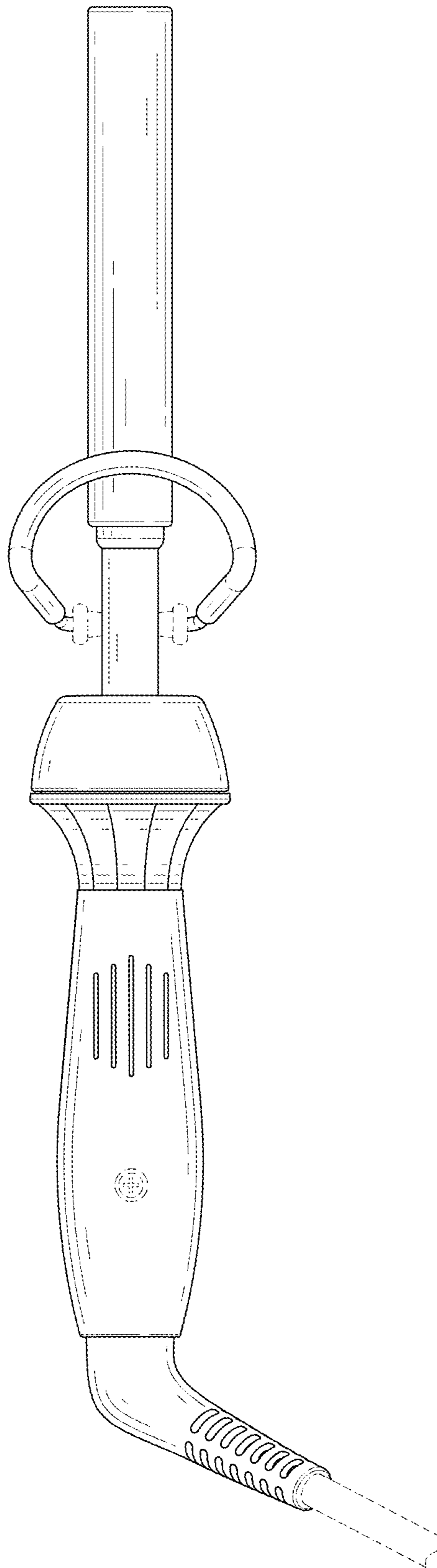


FIG. 4

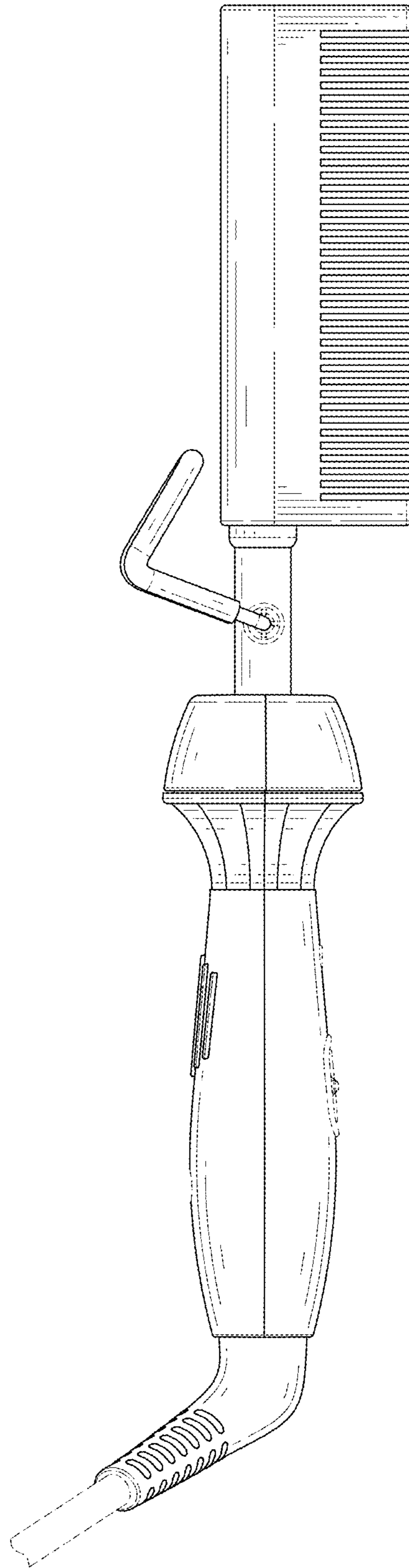


FIG. 5

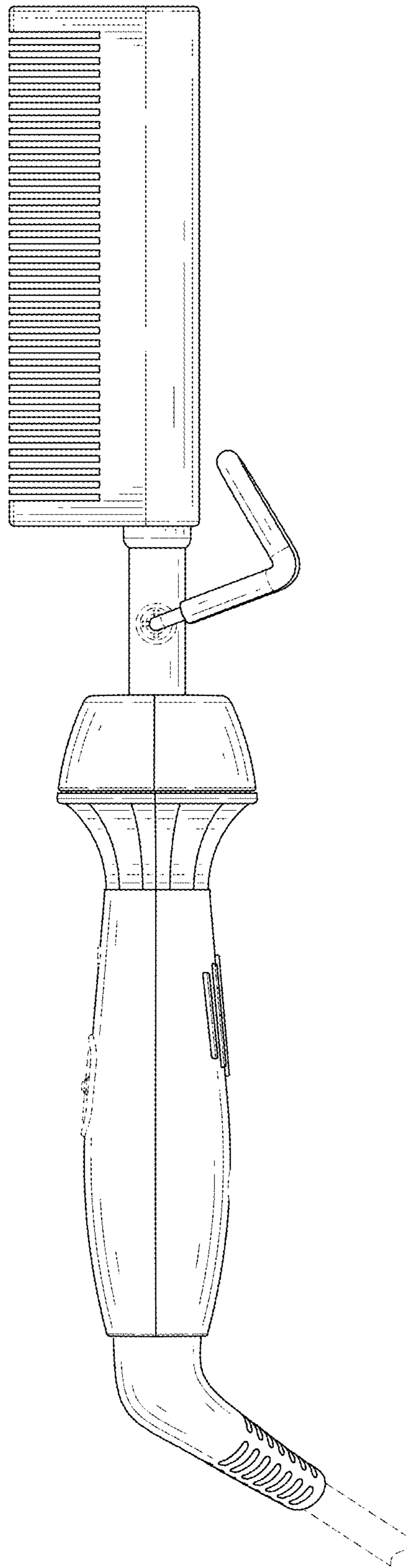


FIG. 6

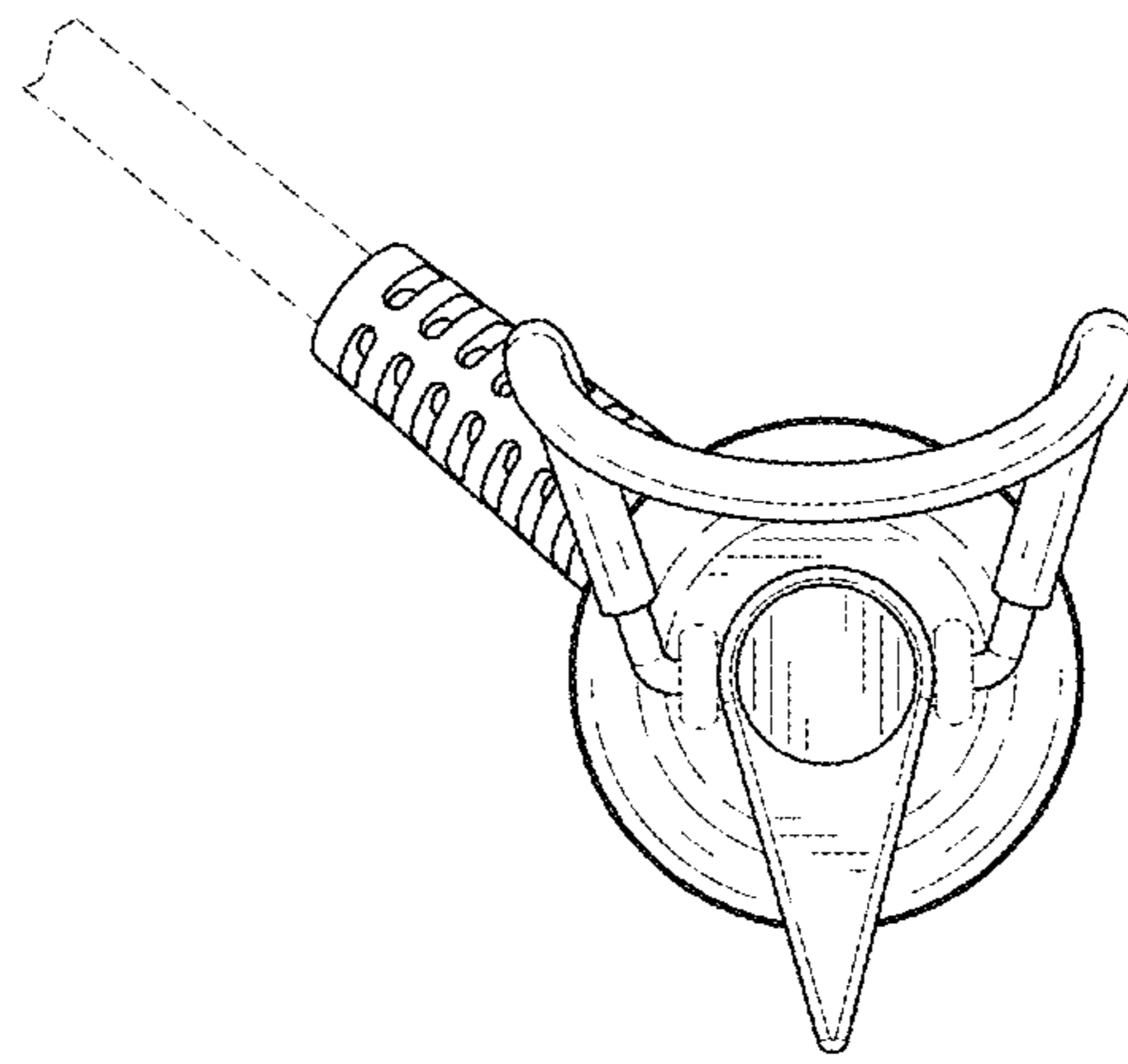


FIG. 7

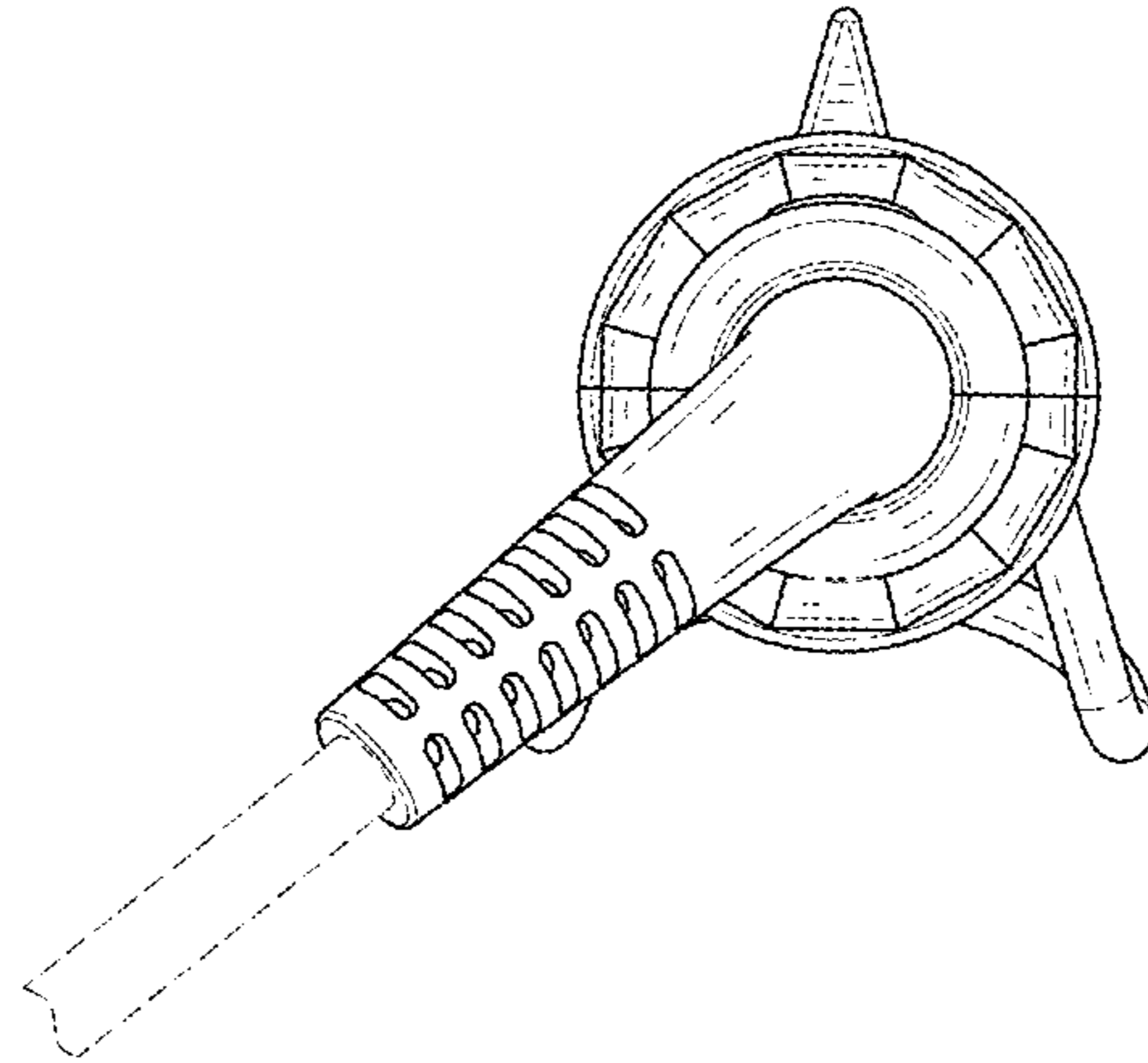


FIG. 8

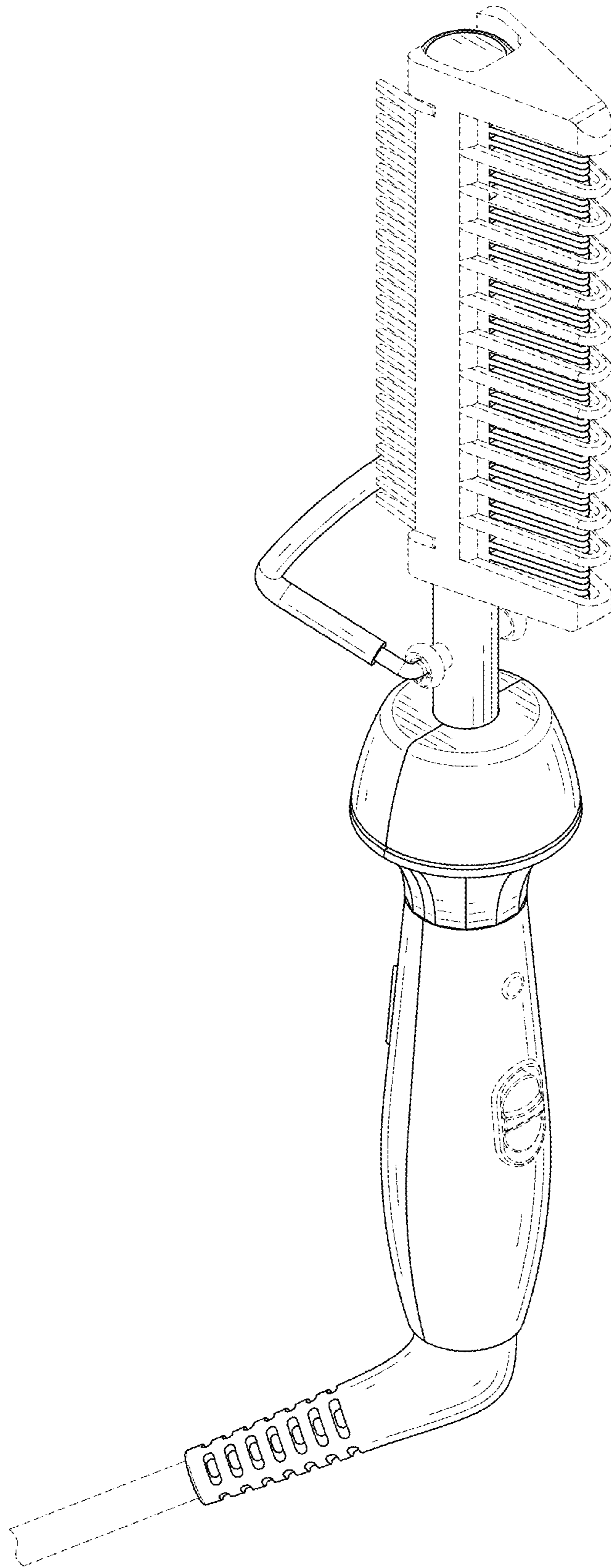


FIG. 9

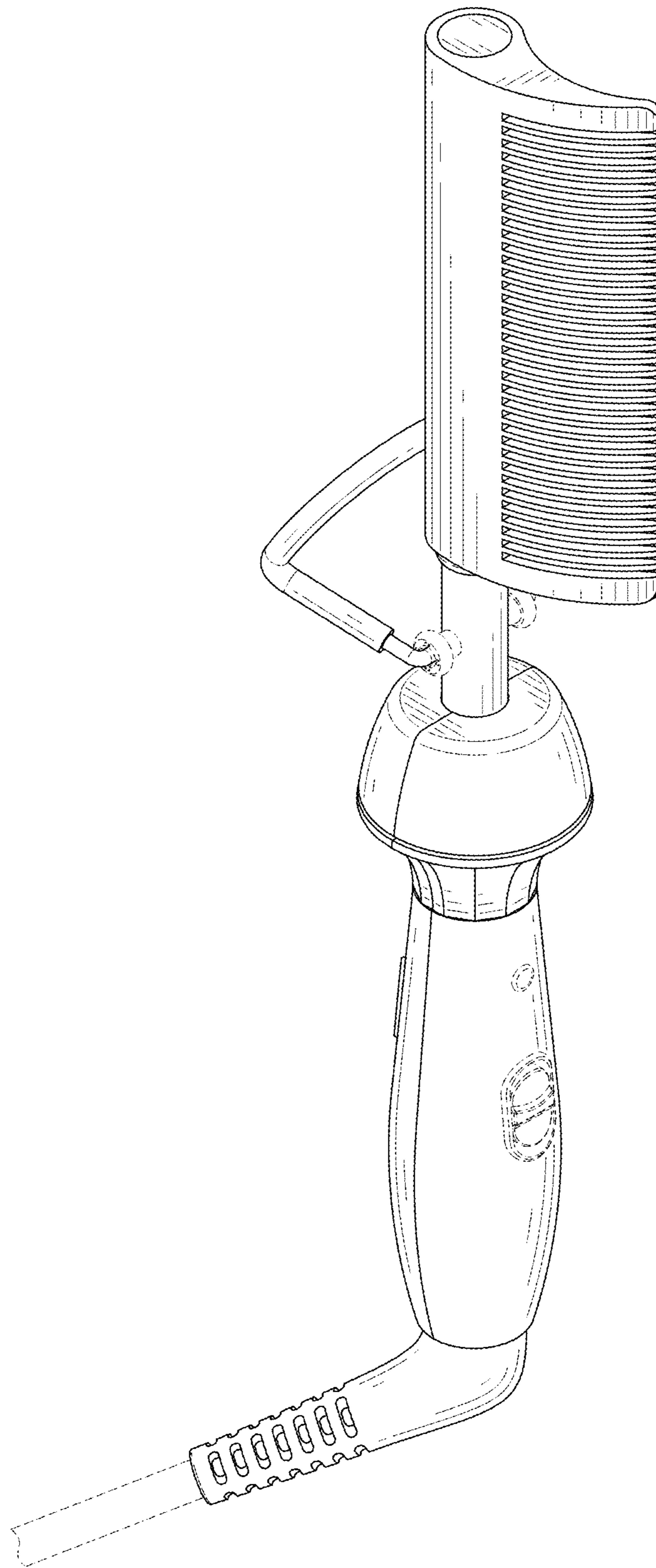


FIG. 10

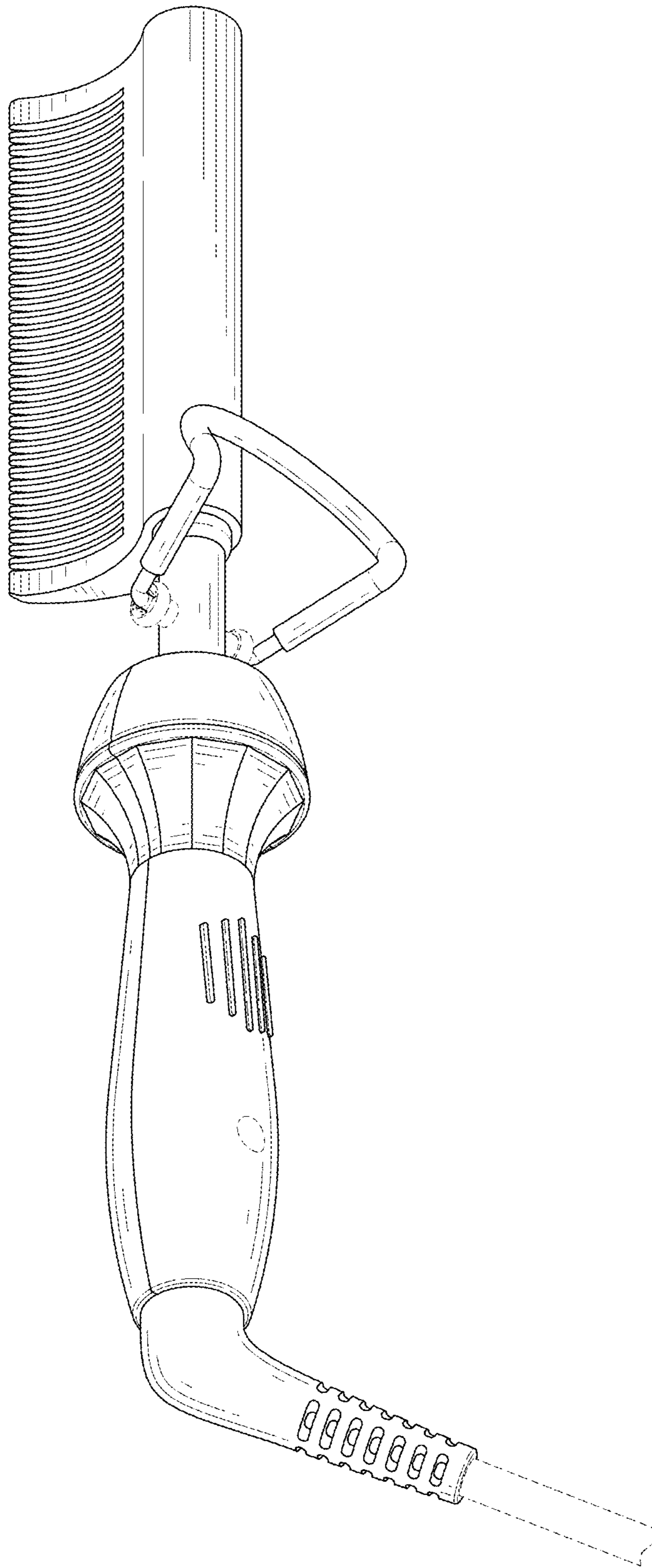


FIG. 11

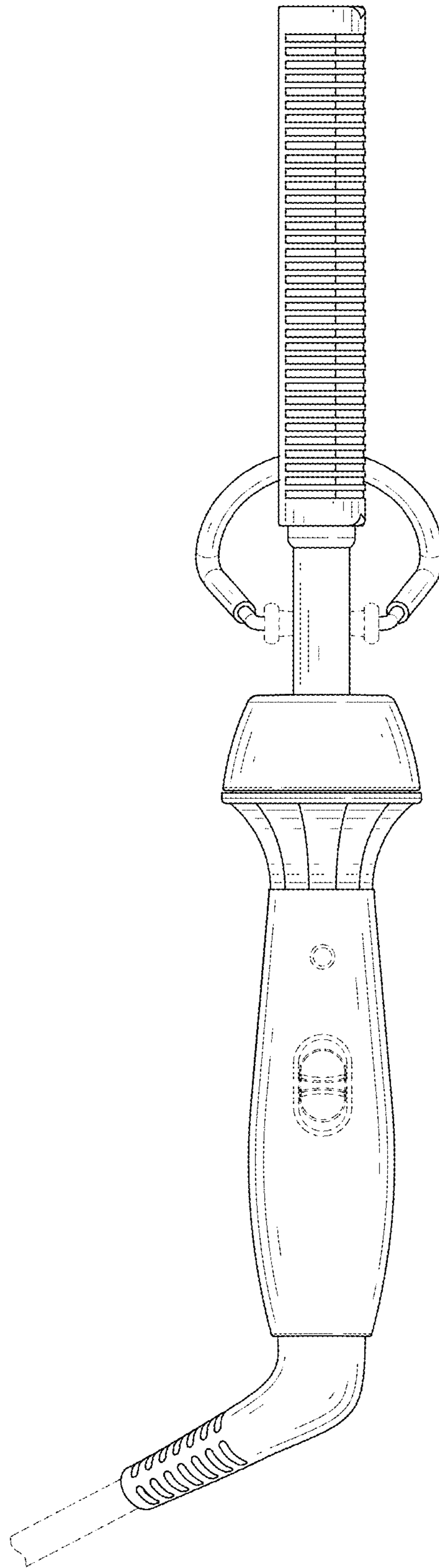


FIG. 12

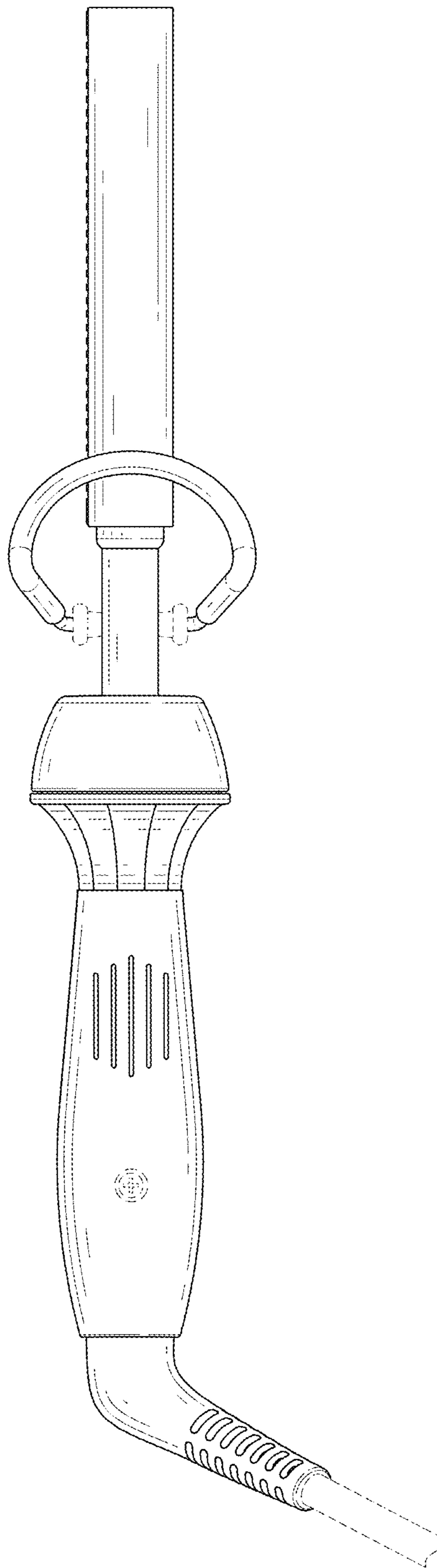


FIG. 13

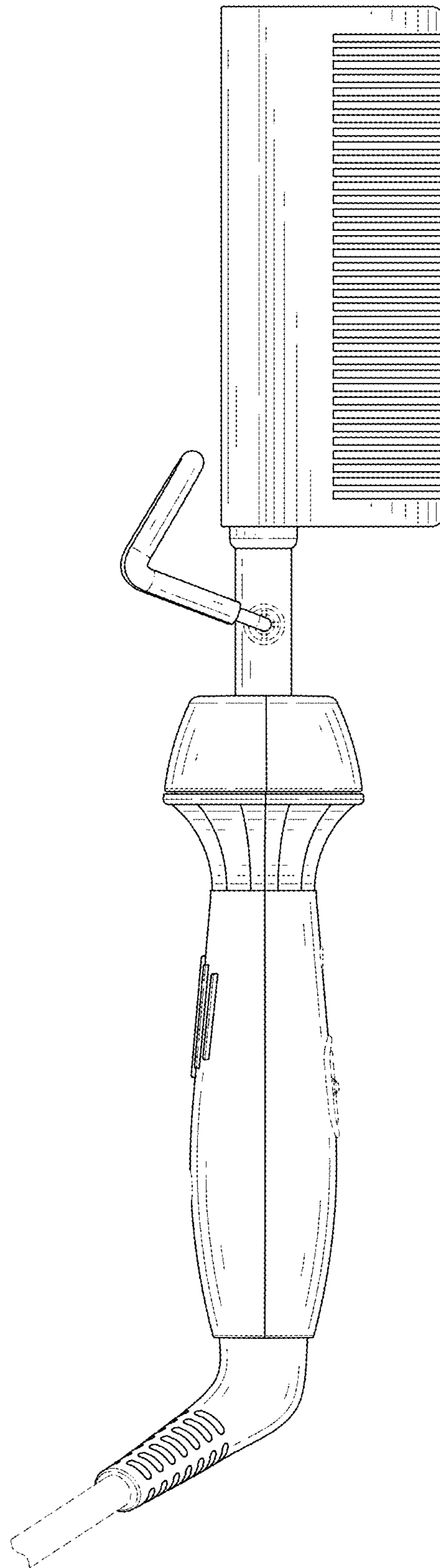


FIG. 14

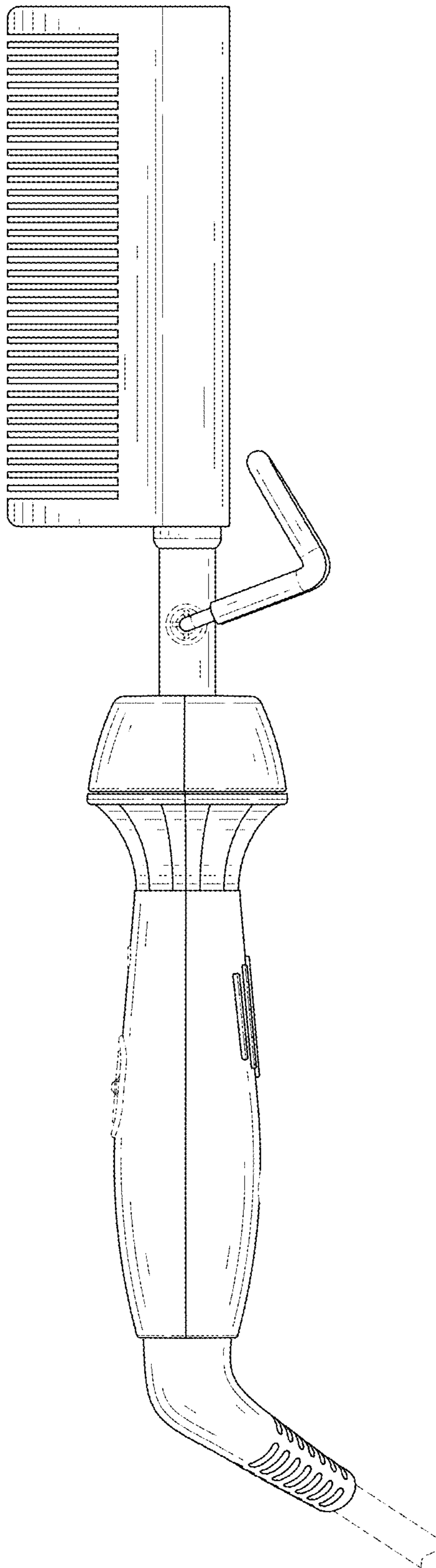


FIG. 15

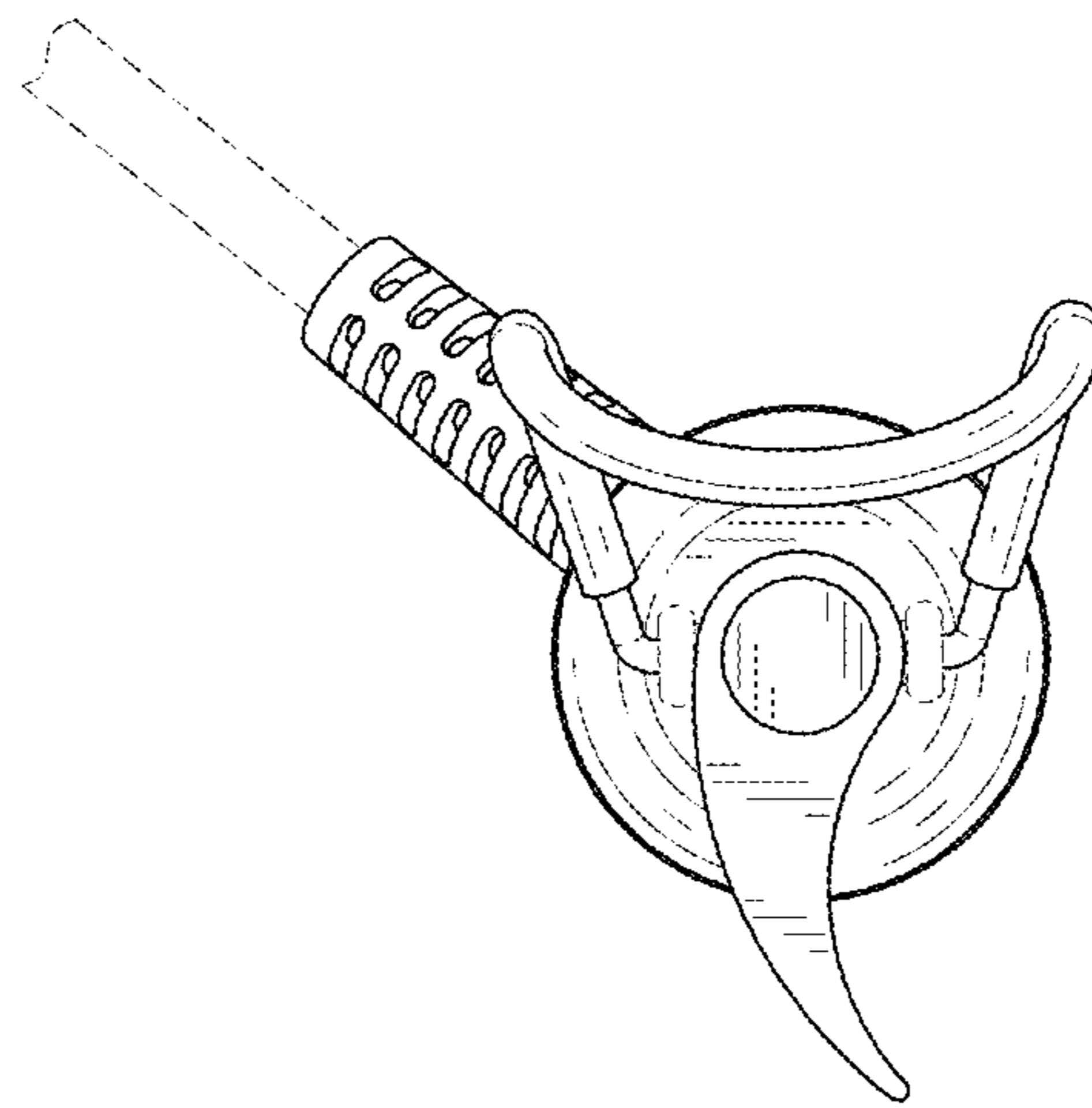


FIG. 16

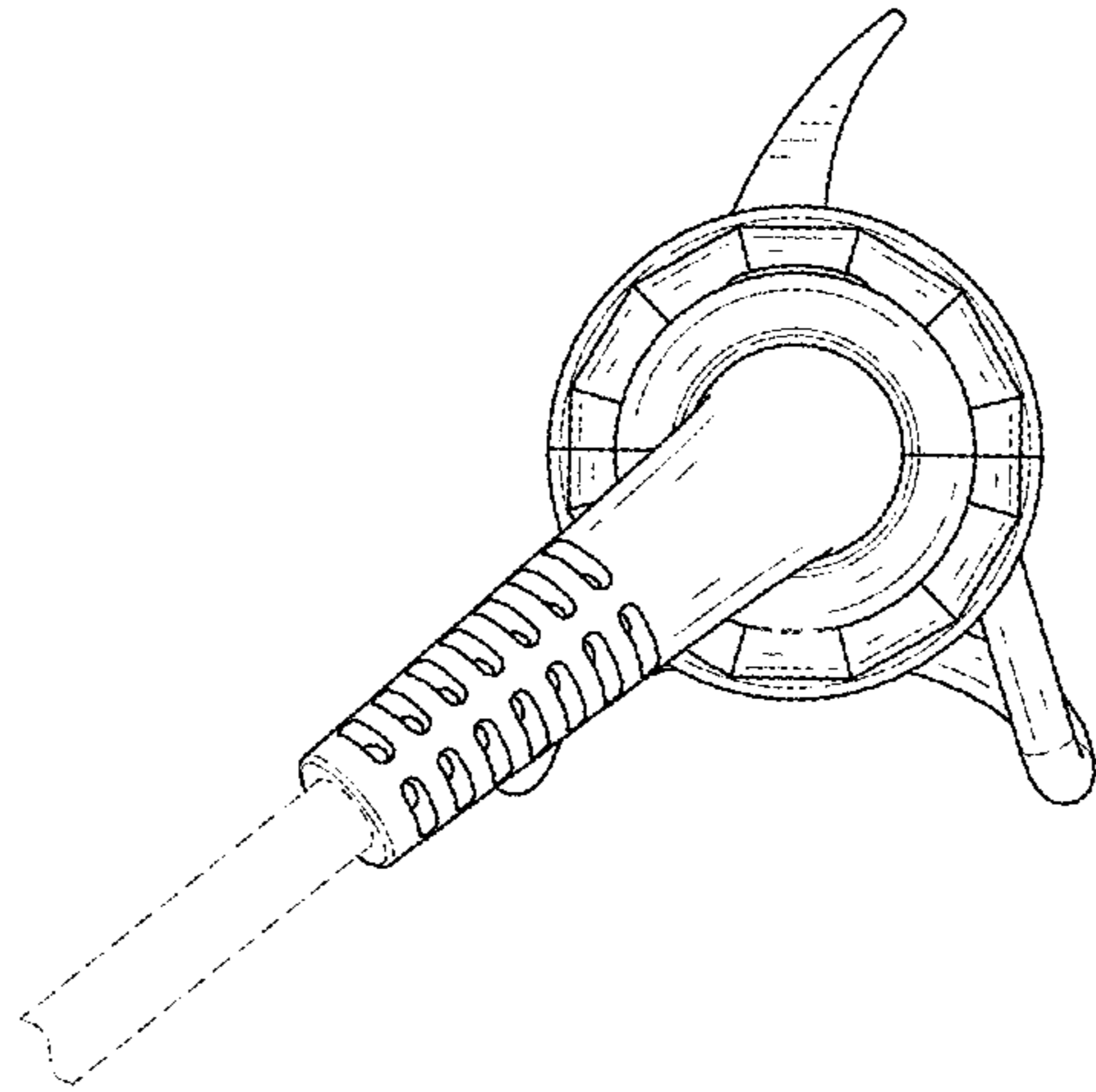


FIG. 17

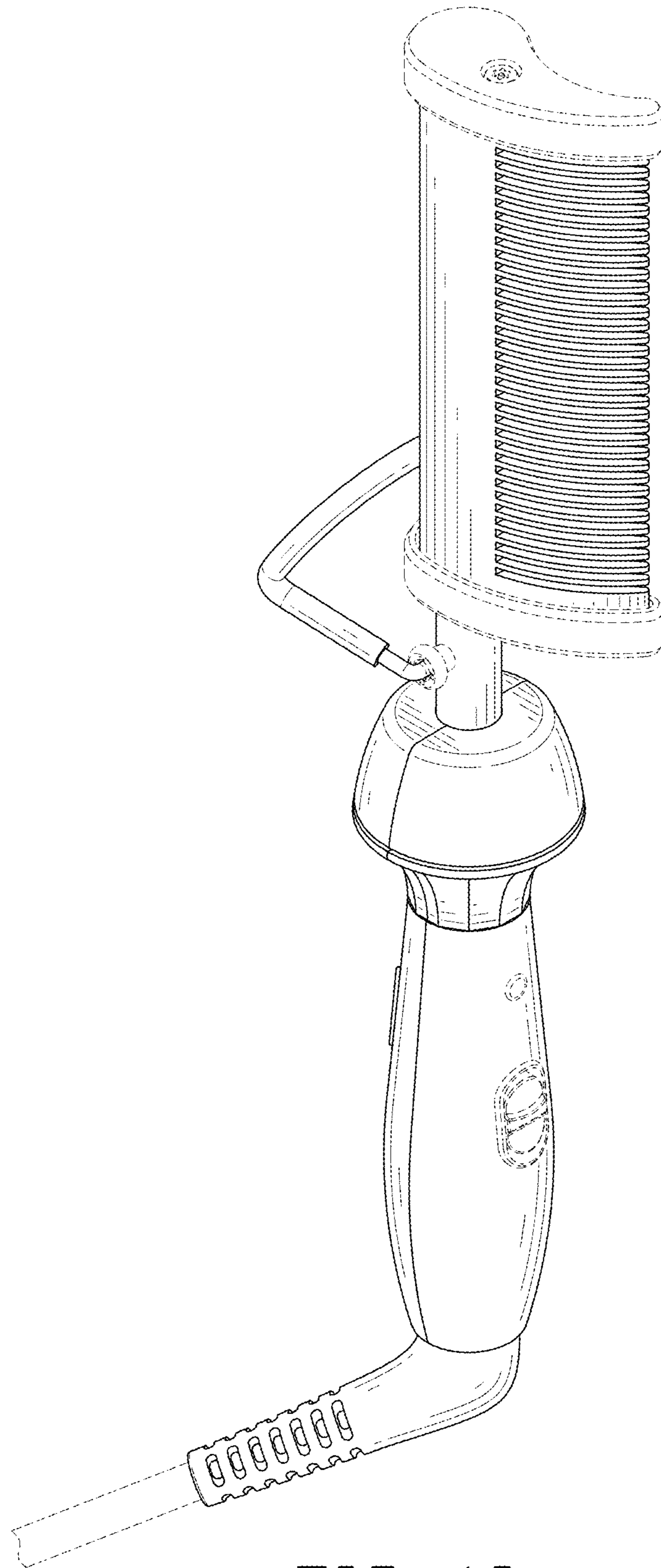


FIG. 18