



US00D952249S

(12) **United States Design Patent**
Luo

(10) **Patent No.:** **US D952,249 S**

(45) **Date of Patent:** **** May 17, 2022**

(54) **HAIR DRIER**

(71) Applicant: **Dongguan MeStar Electric CO., Ltd,**
Guangdong (CN)

(72) Inventor: **Lingzhi Luo,** Guangdong (CN)

(**) Term: **15 Years**

(21) Appl. No.: **29/767,186**

(22) Filed: **Jan. 21, 2021**

(51) **LOC (13) Cl.** **28-03**

(52) **U.S. Cl.**
USPC **D28/13**

(58) **Field of Classification Search**
USPC D28/12-19; D8/29.1
CPC A45D 20/00; A45D 20/04; A45D 20/08;
A45D 20/10; A45D 20/12; A45D
2020/128
See application file for complete search history.

(56) **References Cited**

U.S. PATENT DOCUMENTS

D290,174 S *	6/1987	Tsuji	D28/13
D299,874 S *	2/1989	Yamagami	D28/16
D561,392 S *	2/2008	Ceva	D28/13
D637,347 S *	5/2011	Schmitz	D28/13
D782,731 S *	3/2017	Smith	D28/13
D782,733 S *	3/2017	Smith	D28/13

D861,246 S *	9/2019	Hsu	D28/13
D903,194 S *	11/2020	Huang	D28/13
D911,603 S *	2/2021	Wang	D28/13
D914,972 S *	3/2021	Huang	D28/13
D914,973 S *	3/2021	Huang	D28/13
D925,826 S *	7/2021	Grienay	D28/13
D926,370 S *	7/2021	Sun	D28/13

* cited by examiner

Primary Examiner — Zenia I Bennett

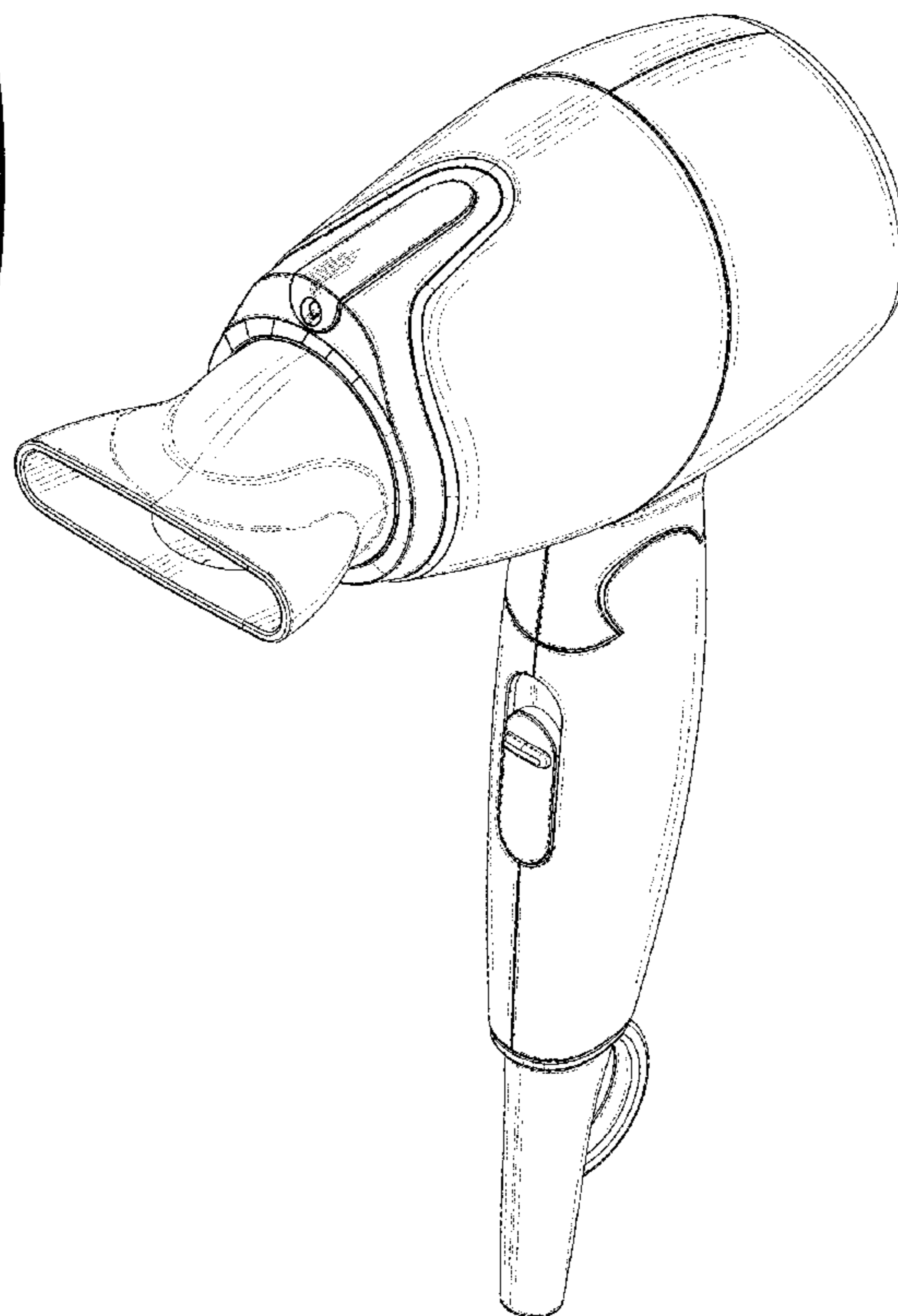
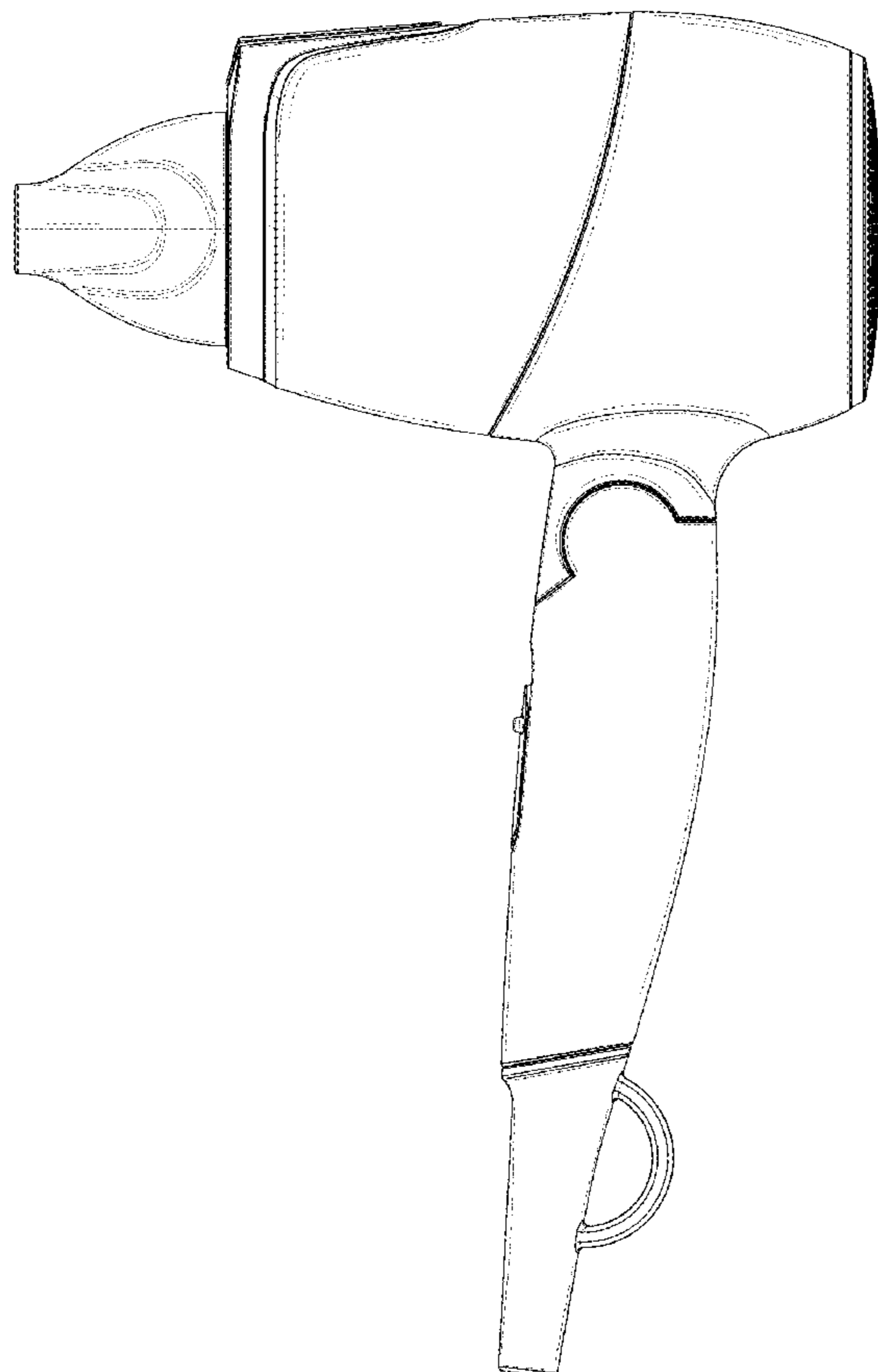
(57) **CLAIM**

I claim the ornamental design for the hair drier, as shown and described.

DESCRIPTION

FIG. 1 is a front elevational view of the design showing my new design;
FIG. 2 is a rear elevational view of FIG. 1;
FIG. 3 is a left side elevational view of FIG. 1;
FIG. 4 is a right side elevational view of FIG. 1.
FIG. 5 is a top plan view of FIG. 1;
FIG. 6 is a bottom plan view of FIG. 1;
FIG. 7 is a perspective view of FIG. 1; and,
FIG. 8 is the other perspective view of FIG. 1.
The broken lines shown in the drawings illustrate portions of the hair drier that form no part of the claimed design.

1 Claim, 7 Drawing Sheets



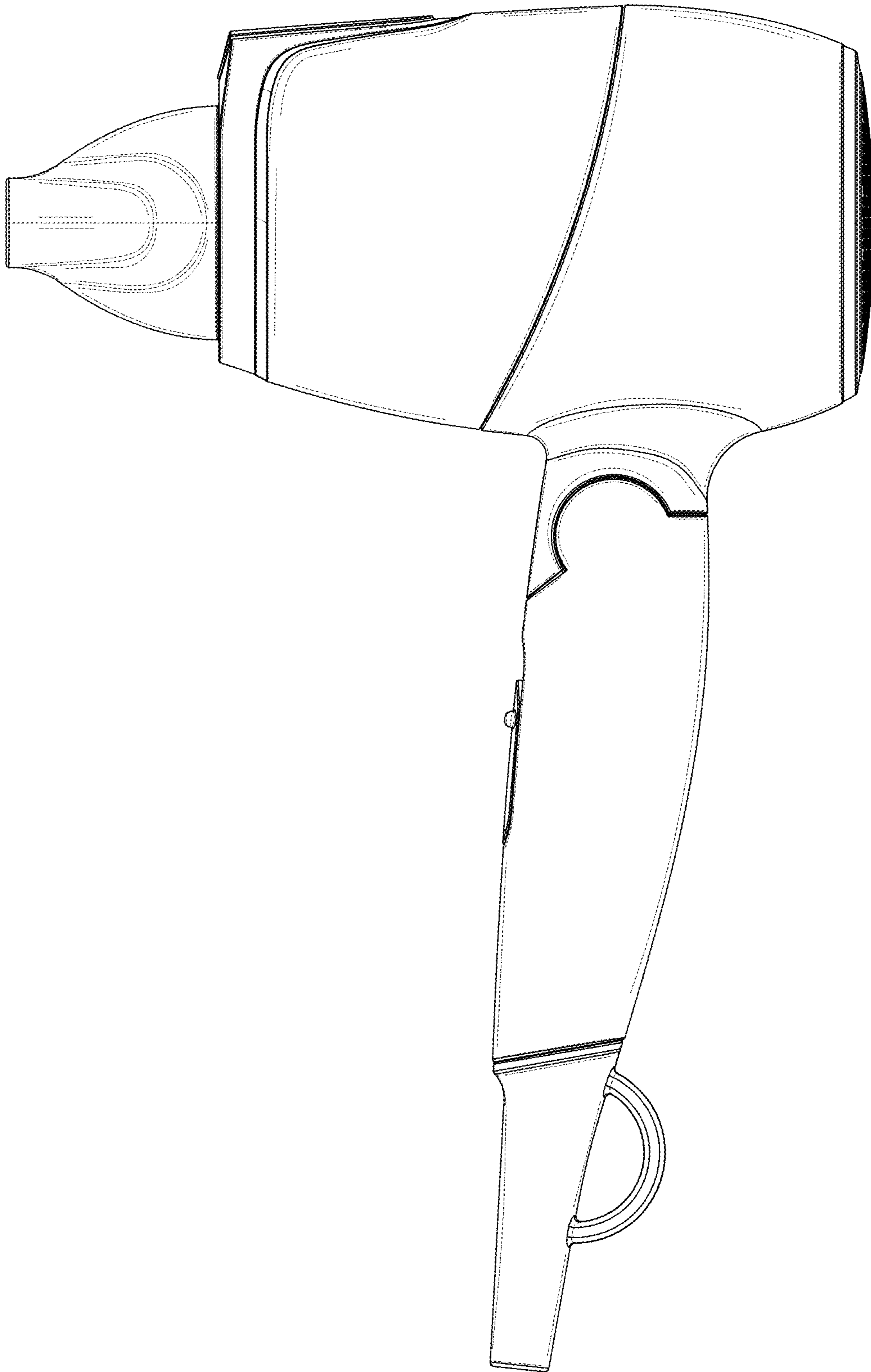


Fig. 1

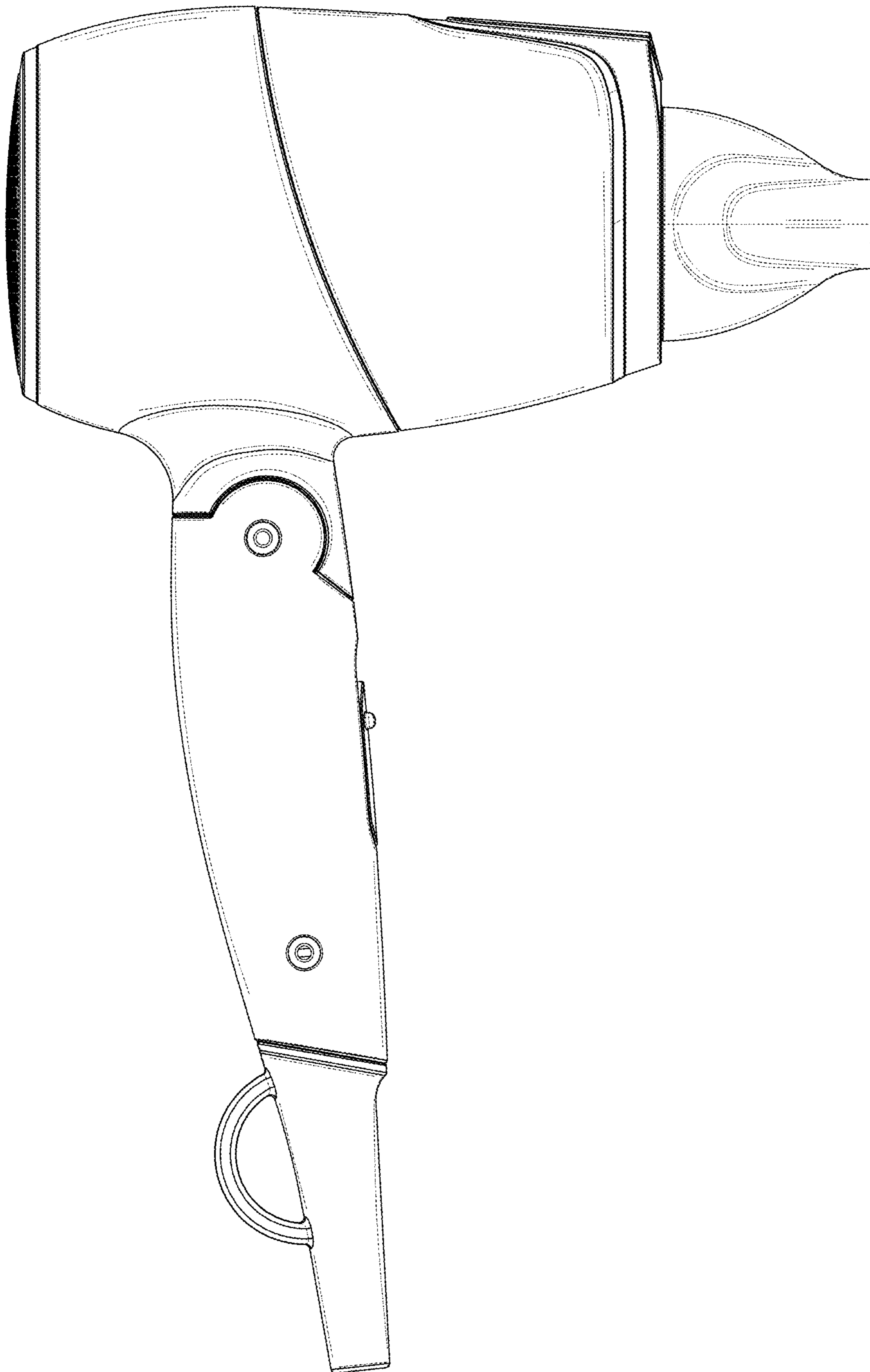


Fig. 2

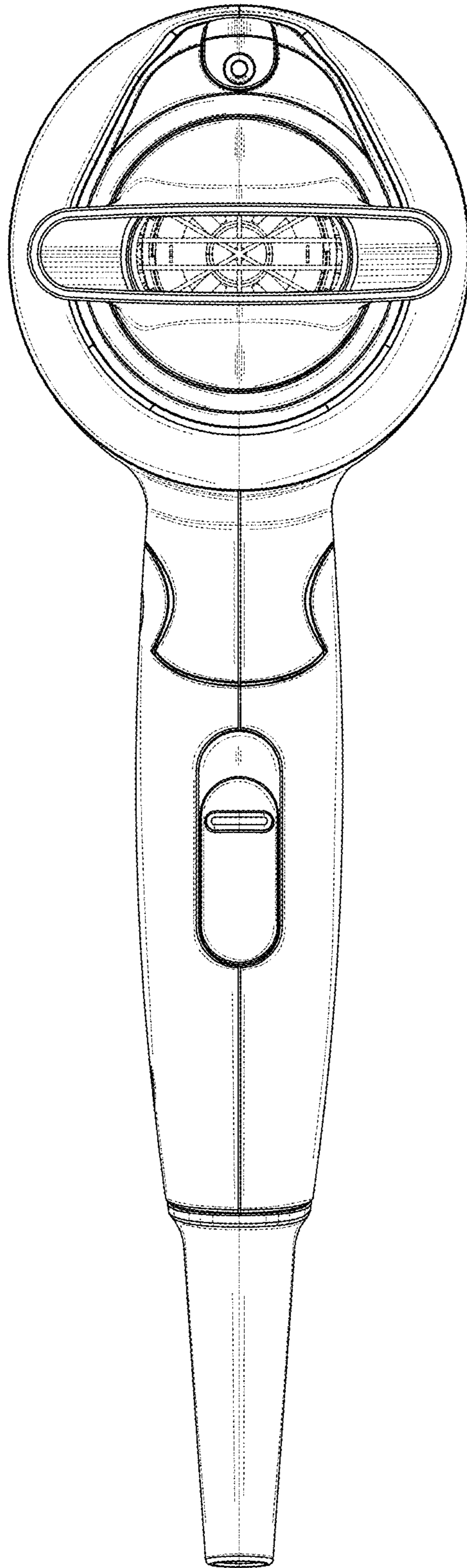


Fig. 3

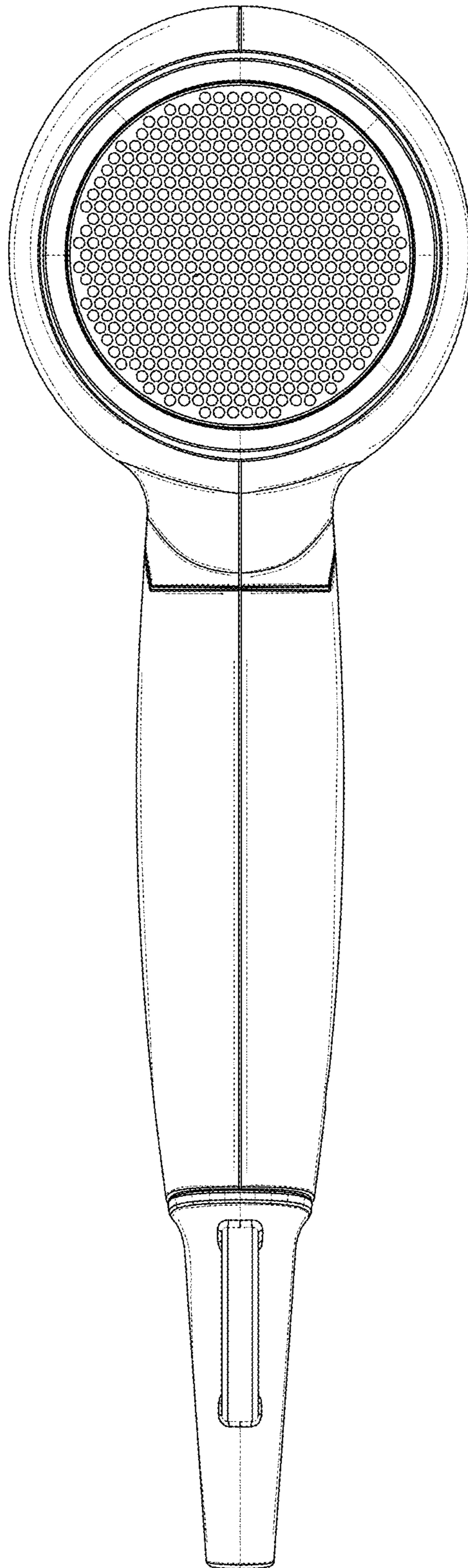


Fig. 4

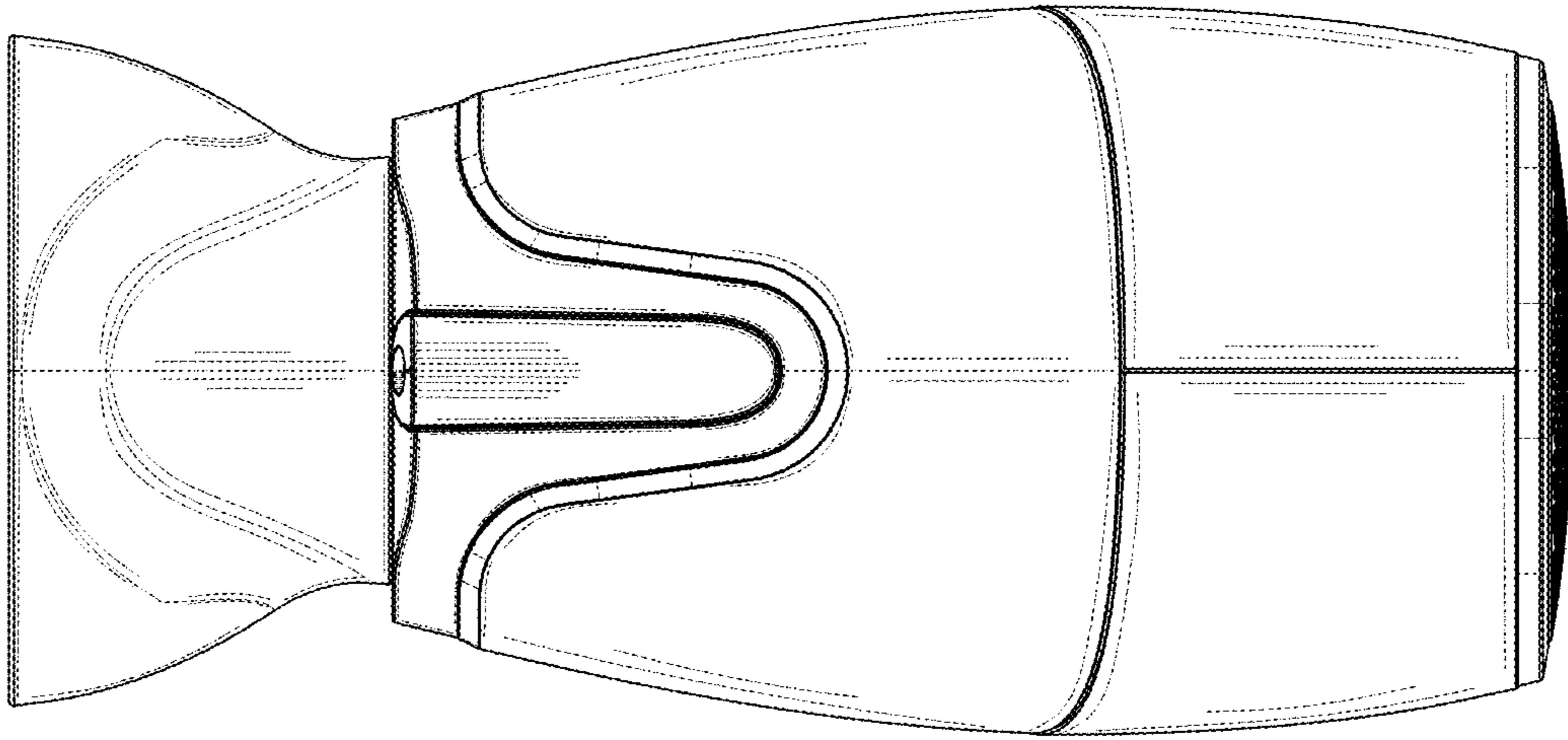


Fig. 5

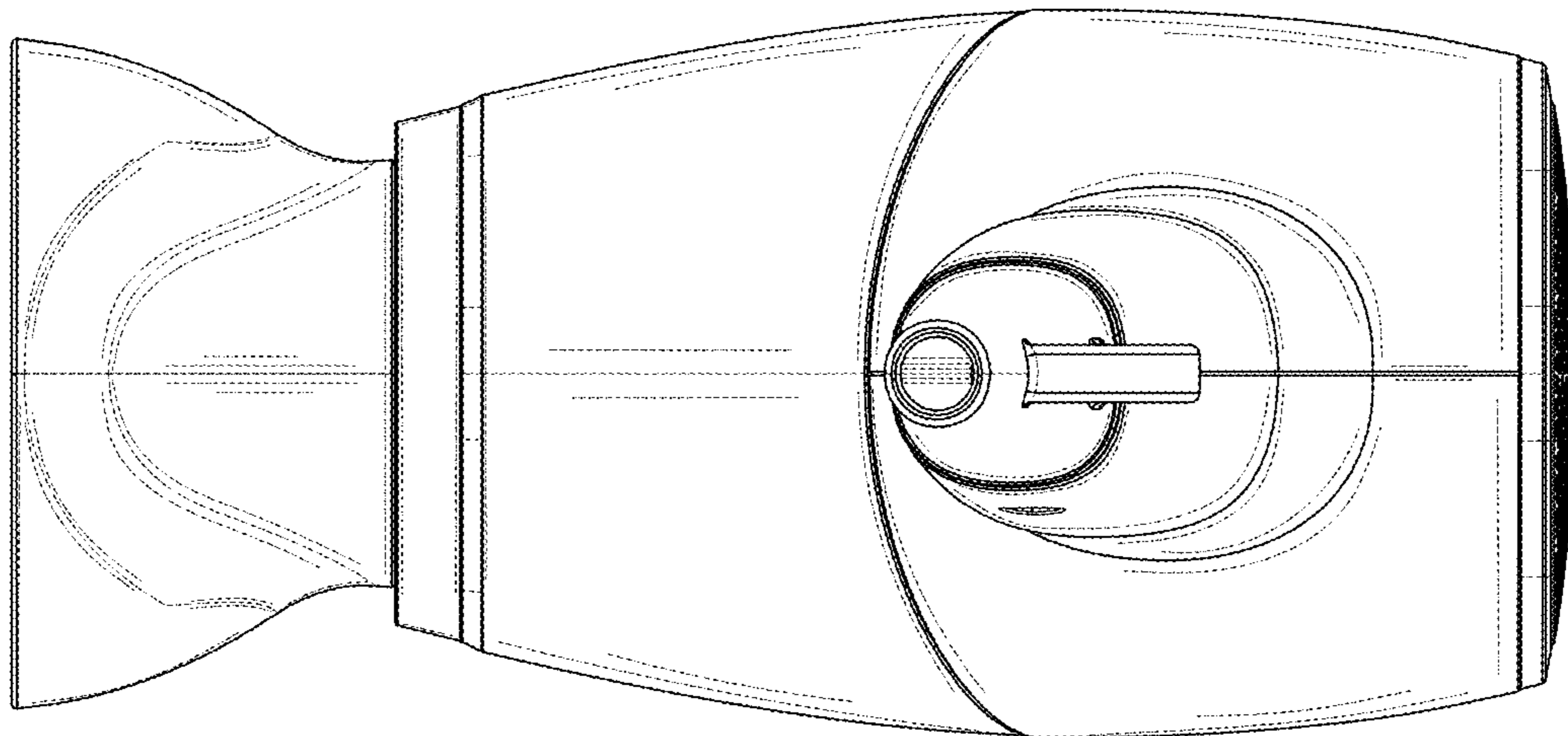


Fig. 6

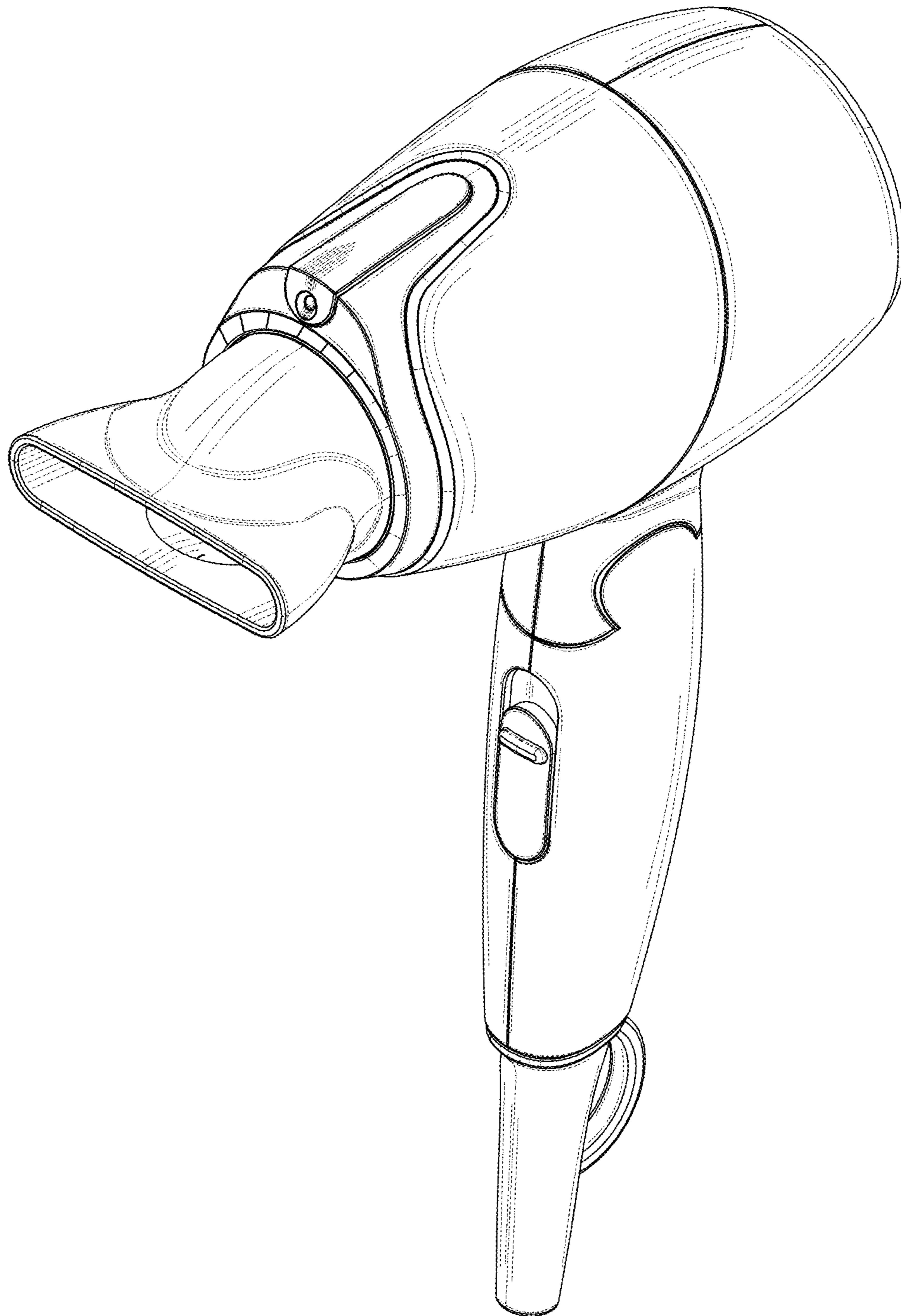


Fig. 7

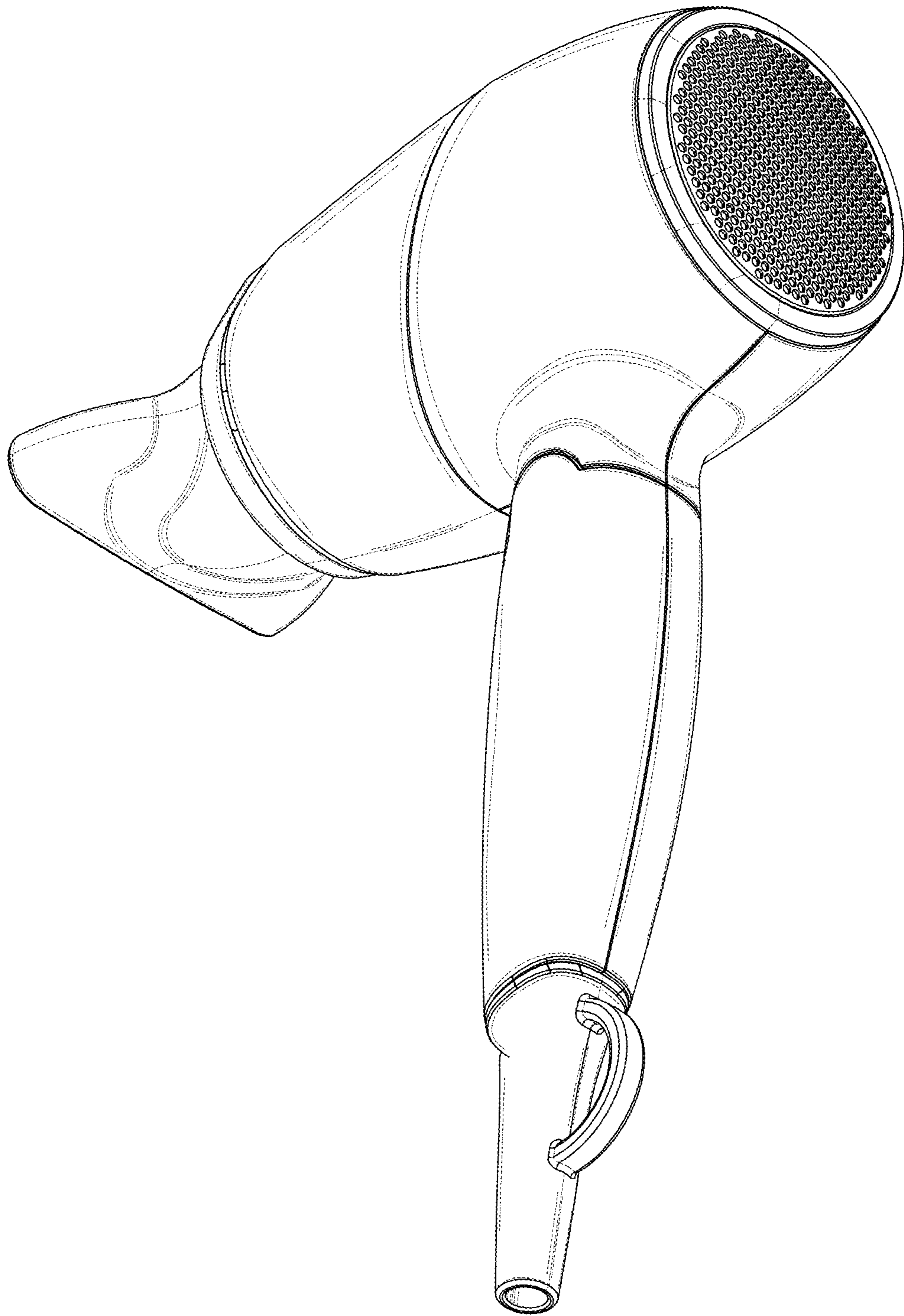


Fig. 8