



US00D952248S

(12) **United States Design Patent**
Lei et al.

(10) **Patent No.:** **US D952,248 S**
(45) **Date of Patent:** **** May 17, 2022**

(54) **HAIR DRYER**

(71) Applicant: **SHENZHEN CAR KU TECHNOLOGY CO., LIMITED,**
Guangdong (CN)

(72) Inventors: **Yun Lei,** Guangdong (CN); **Qun Wang,**
Guangdong (CN)

(73) Assignee: **SHENZHEN CAR KU TECHNOLOGY CO., LIMITED,**
Shenzhen (CN)

(**) Term: **15 Years**

(21) Appl. No.: **29/766,480**

(22) Filed: **Jan. 15, 2021**

(30) **Foreign Application Priority Data**

Oct. 20, 2020 (CN) 202030625716.7

(51) **LOC (13) Cl.** **28-03**

(52) **U.S. Cl.**
USPC **D28/13**

(58) **Field of Classification Search**
USPC D28/12-19; D8/29.1
CPC A45D 20/00; A45D 20/04; A45D 20/08;
A45D 20/10; A45D 20/12; A45D
2020/128
See application file for complete search history.

(56) **References Cited**

U.S. PATENT DOCUMENTS

D715,995 S * 10/2014 Dyson A45D 20/12
D28/13
D715,996 S * 10/2014 Dyson A45D 20/12
D28/13

D716,492 S * 10/2014 Dyson A45D 20/12
D28/13
D782,731 S * 3/2017 Smith D28/13
D782,733 S * 3/2017 Smith D28/13
D791,407 S * 7/2017 Smith D28/13
D898,281 S * 10/2020 Yang D28/13
D899,684 S * 10/2020 Chen D28/13
D911,603 S * 2/2021 Wang D28/13
D915,668 S * 4/2021 Zhou D28/13
D919,175 S * 5/2021 Yu D28/13
D925,825 S * 7/2021 Lo D28/13
D926,370 S * 7/2021 Sun D28/13
D933,292 S * 10/2021 Yang D28/13
D934,496 S * 10/2021 Huang D28/13

* cited by examiner

Primary Examiner — Zenia I Bennett

(74) *Attorney, Agent, or Firm* — Hauptman Ham, LLP

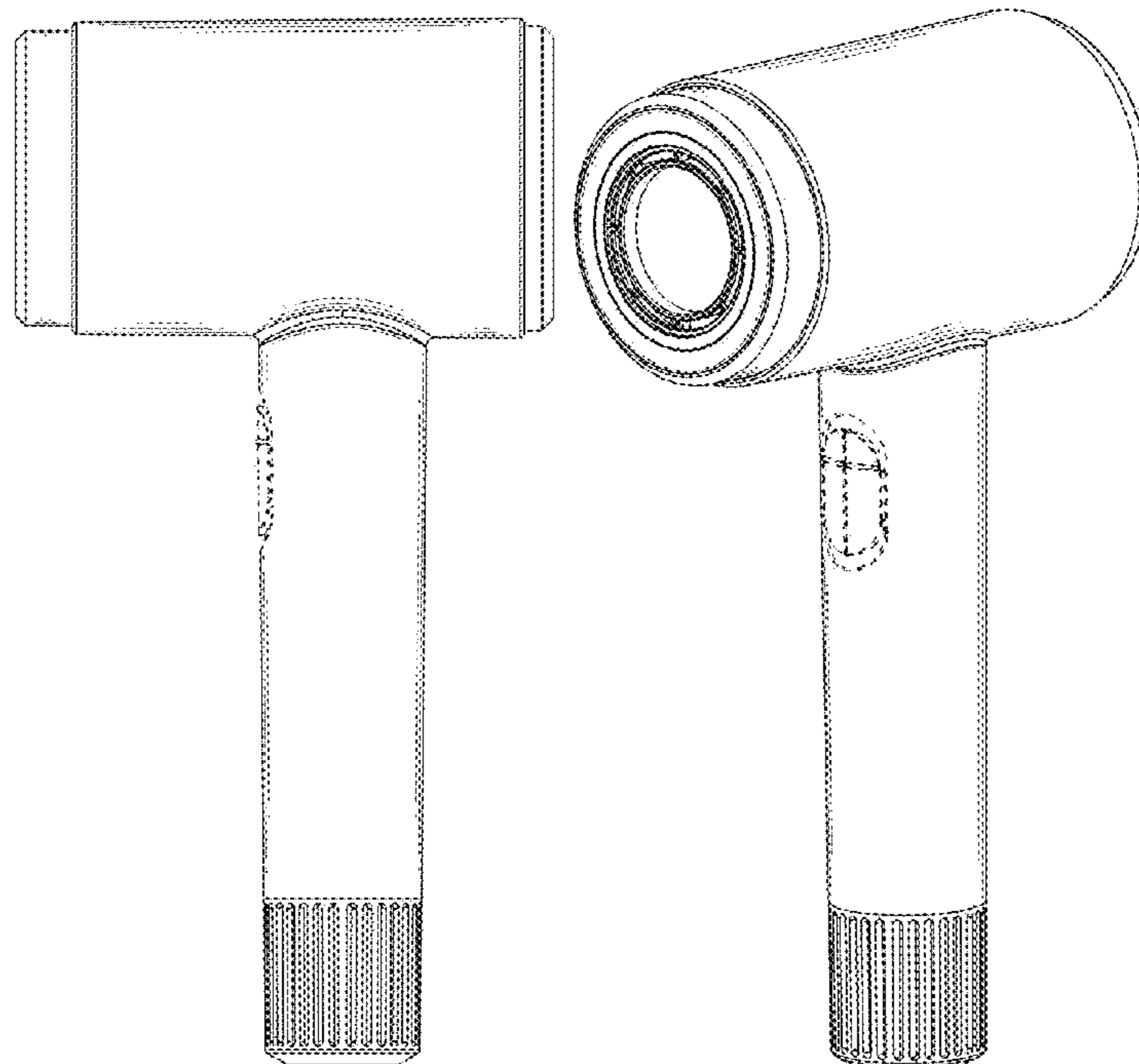
(57) **CLAIM**

The ornamental design for a hair dryer, as shown and described.

DESCRIPTION

FIG. 1 is a front view of a hair dryer showing our new design;
FIG. 2 is a rear view thereof;
FIG. 3 is a left side view thereof;
FIG. 4 is a right side view thereof;
FIG. 5 is a top view thereof;
FIG. 6 is a bottom view thereof; and,
FIG. 7 is a top-right-front perspective view thereof.
The broken lines showing a portion of the hair dryer form no part of the claimed design.

1 Claim, 7 Drawing Sheets



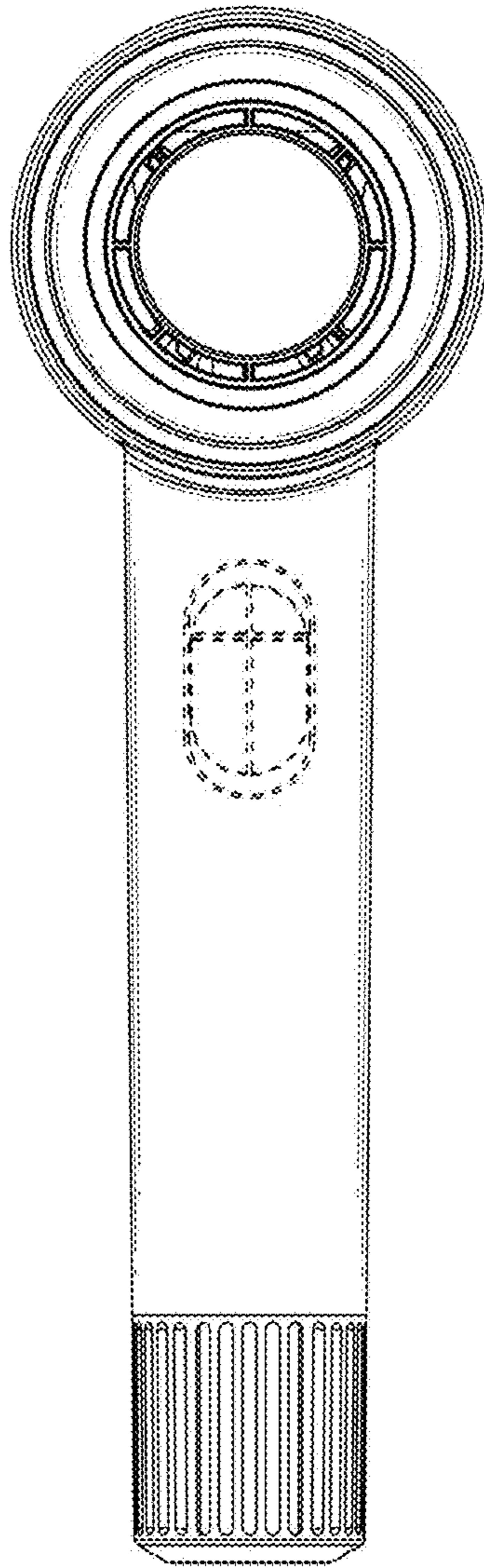


FIG. 1

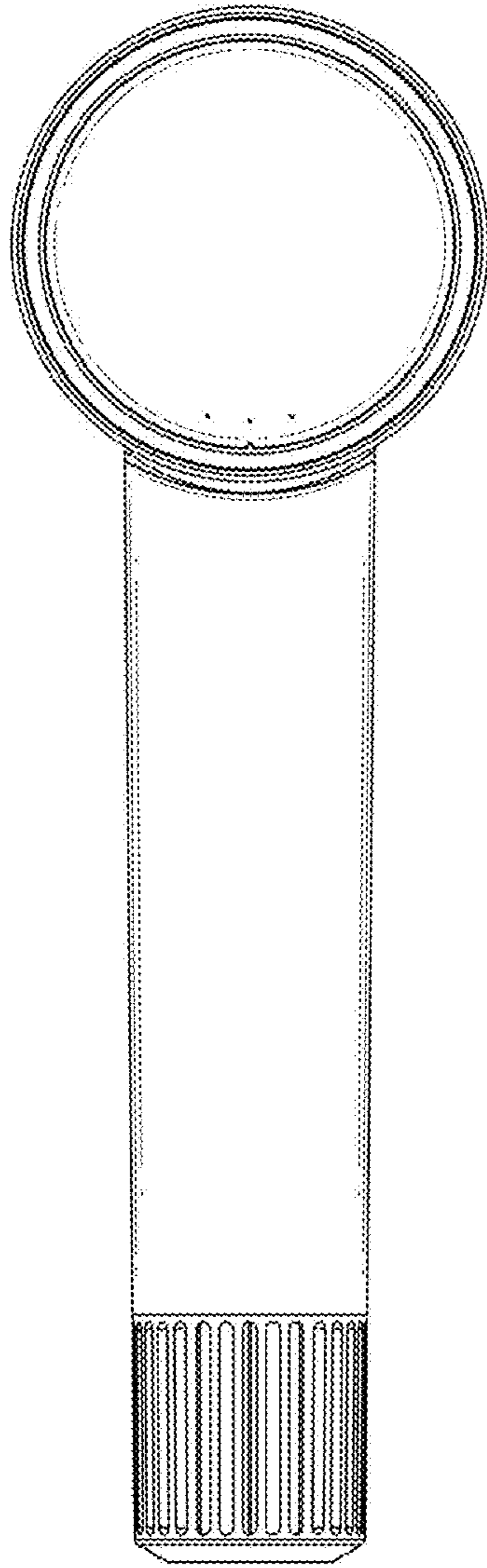


FIG. 2

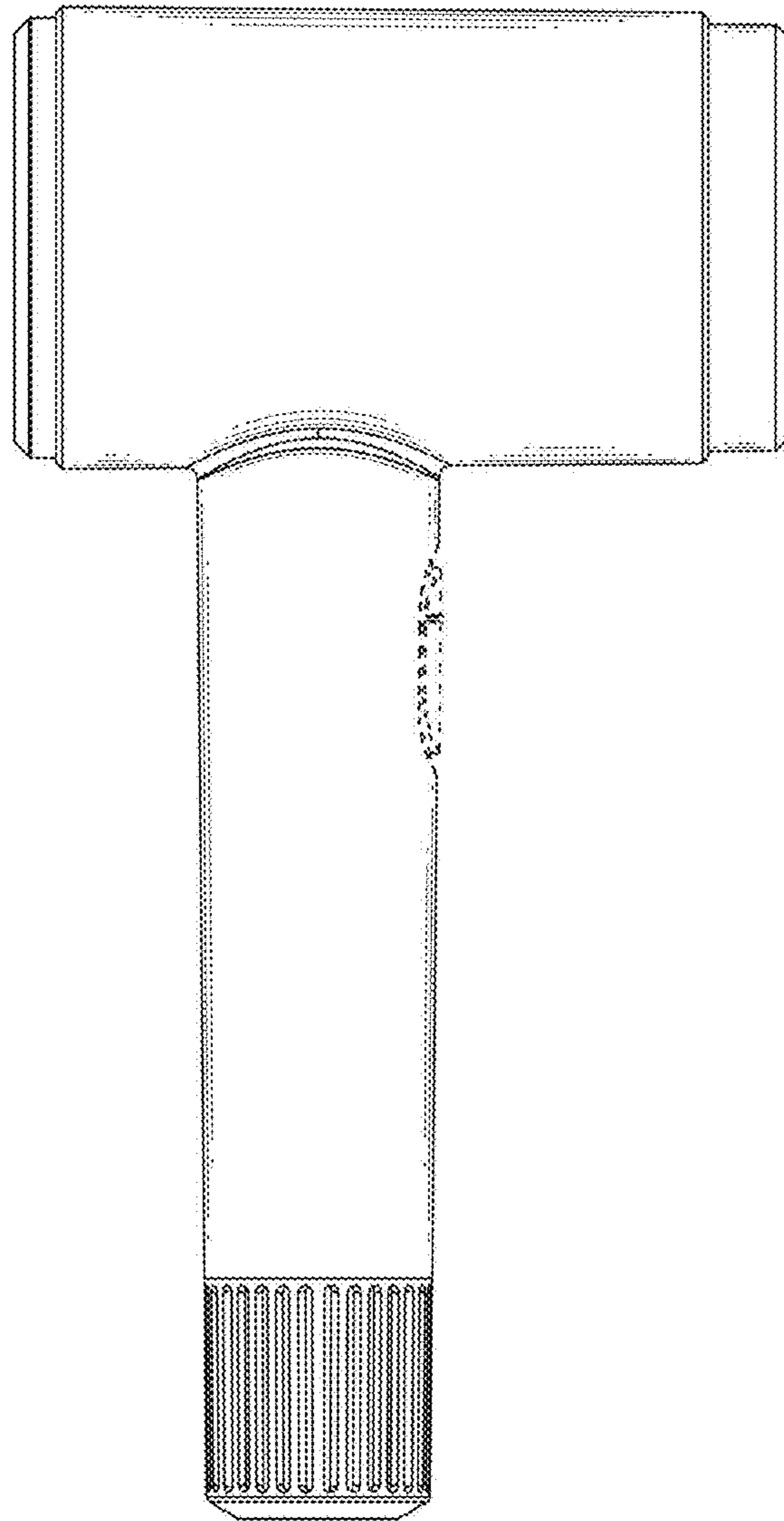


FIG. 3

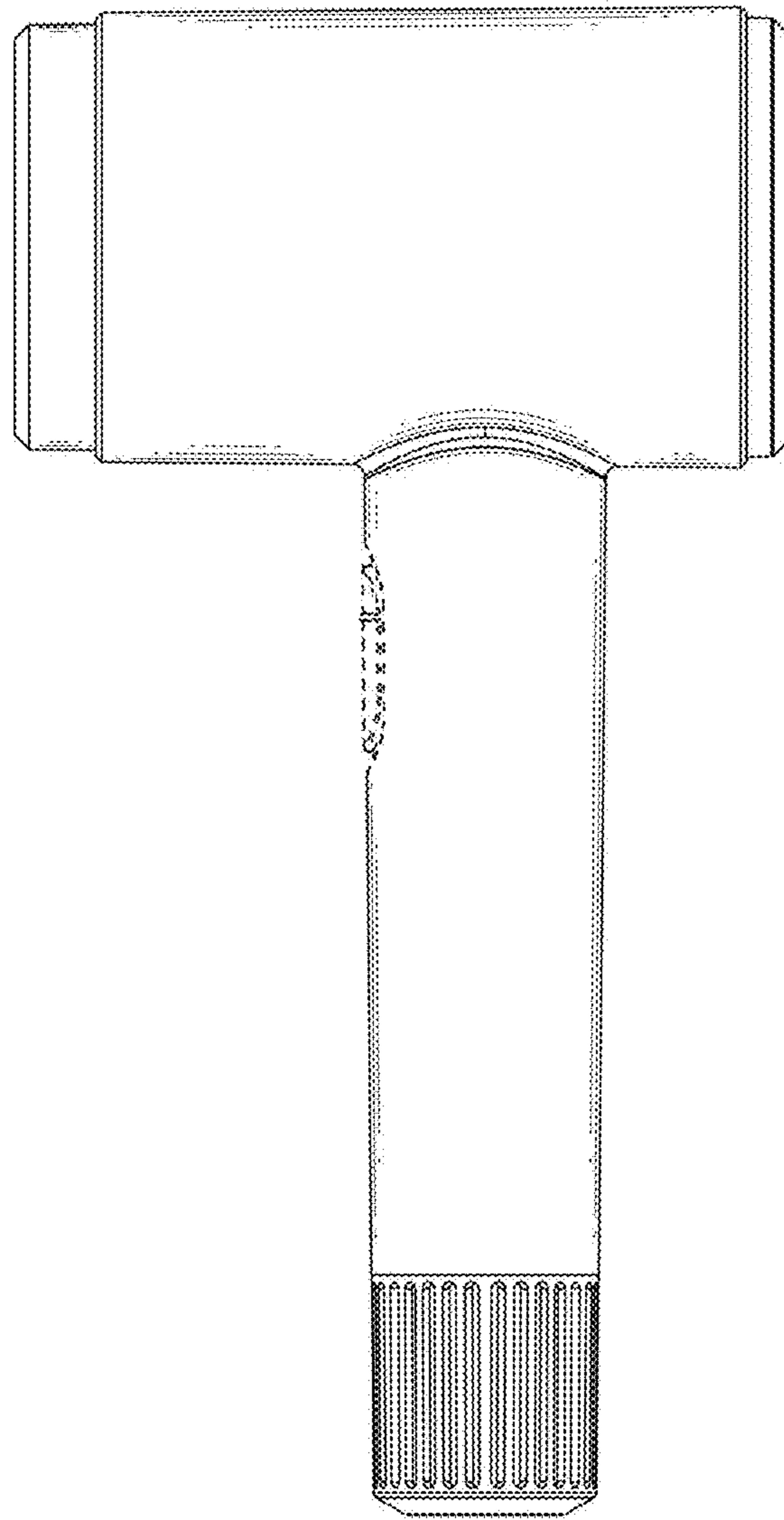


FIG. 4

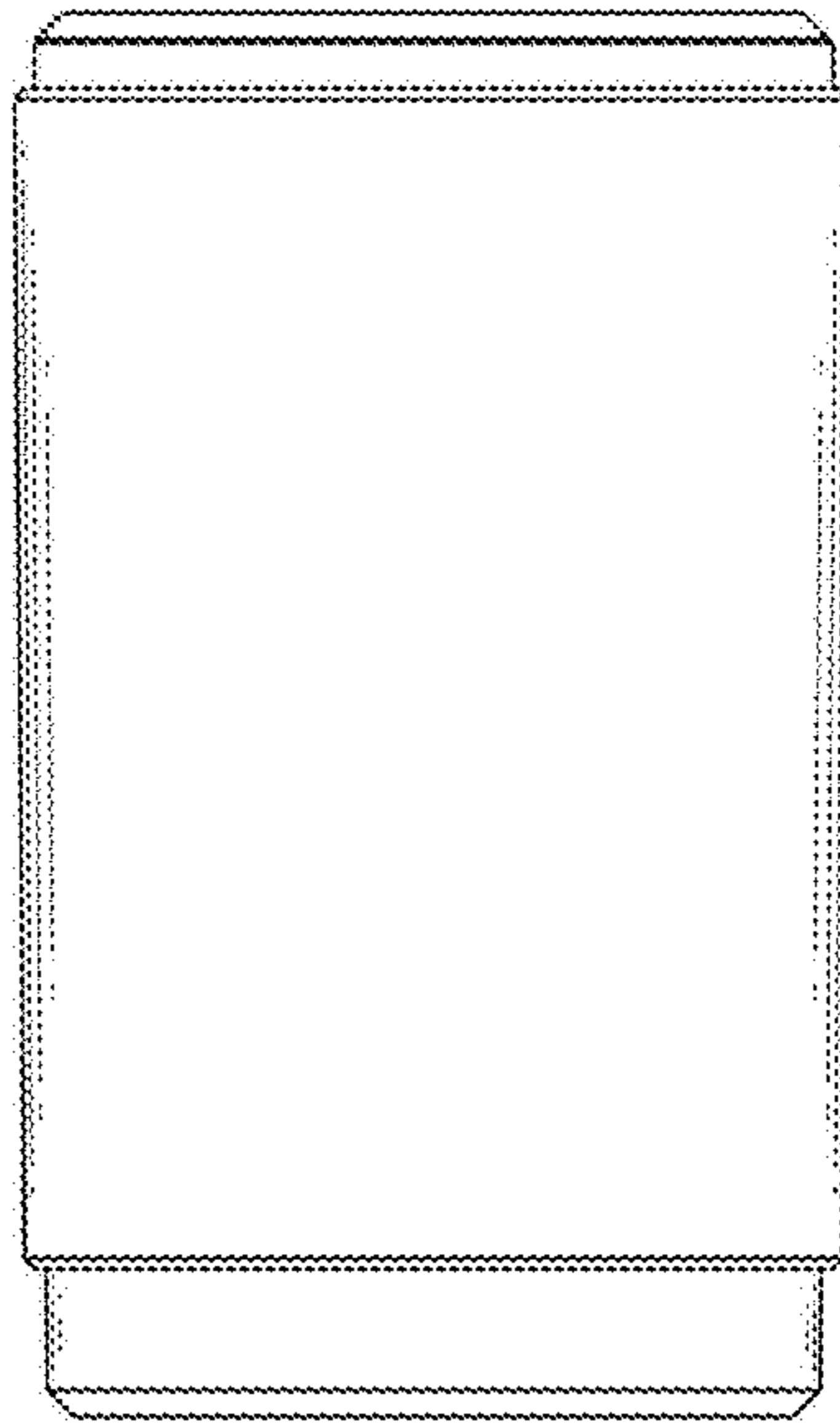


FIG. 5

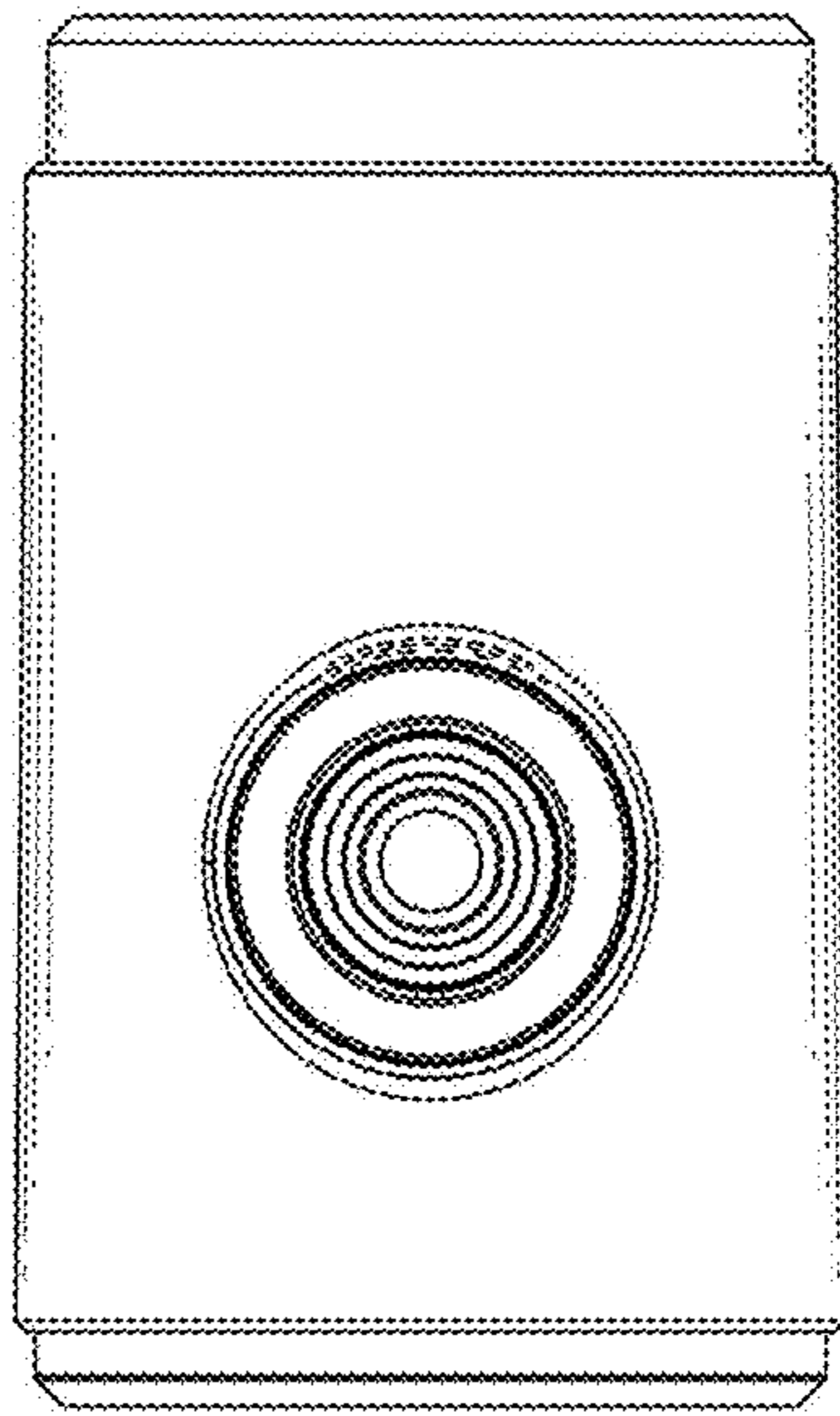


FIG. 6

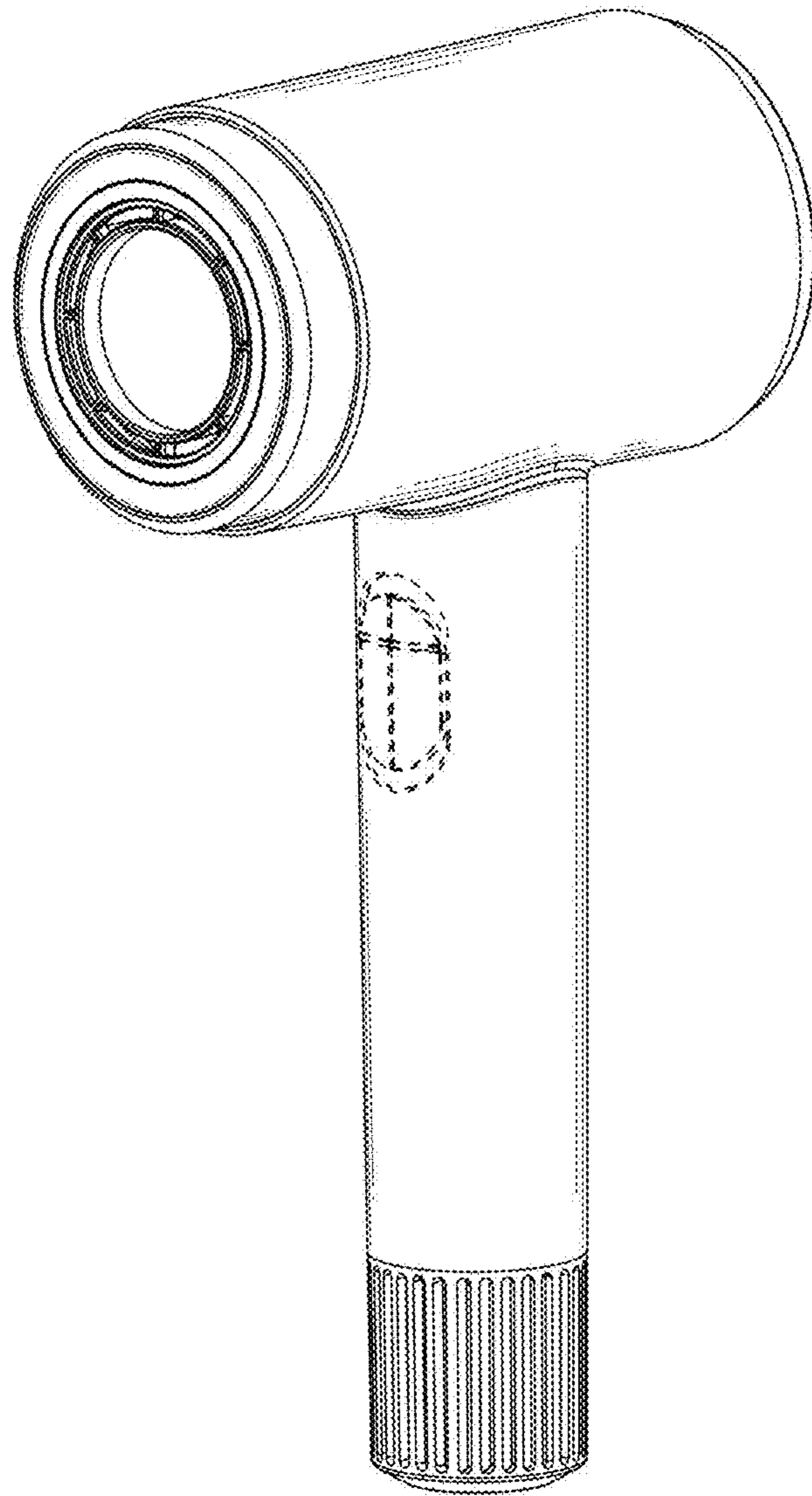


FIG. 7