



US00D952246S

(12) **United States Design Patent** (10) **Patent No.:** **US D952,246 S**  
**Jack** (45) **Date of Patent:** **\*\* May 17, 2022**

(54) **CANISTER BLOCK**

(71) Applicant: **Ryan Jack**, Sacramento, CA (US)

(72) Inventor: **Ryan Jack**, Sacramento, CA (US)

(\*\*) Term: **15 Years**

(21) Appl. No.: **29/752,234**

(22) Filed: **Sep. 25, 2020**

(51) **LOC (13) Cl.** ..... **27-06**

(52) **U.S. Cl.**  
USPC ..... **D27/172**

(58) **Field of Classification Search**

USPC ..... D13/107, 108, 110, 112, 118, 119, 120,  
D13/122, 133, 145, 146, 147, 154, 155,  
D13/156, 183, 184, 199; D27/101, 162,  
D27/167, 172, 183, 190, 193, 194;  
D9/737; D8/71  
CPC ..... H01R 13/02; H01R 13/62; H01R 13/64;  
H01L 21/67271

See application file for complete search history.

(56) **References Cited**

**U.S. PATENT DOCUMENTS**

2,256,637 A *	9/1941	Anderson	.....	H01R 43/058
				439/877
D260,472 S *	9/1981	Turcotte, Jr.	.....	D7/708
D374,429 S *	10/1996	Blais	.....	D13/156
D712,091 S *	8/2014	Liu	.....	D27/193
D790,797 S *	6/2017	Buell	.....	D34/35
D868,367 S *	11/2019	Franzone	.....	D27/167
D894,841 S *	9/2020	Mickler	.....	D13/146

**OTHER PUBLICATIONS**

<https://www.pinterest.com/pin/381820874665701562/>From etsy.com—Oil Cartridge Stand Nov. 2, 2019 (Year: 2019).\*

\* cited by examiner

*Primary Examiner* — Derrick E Holland

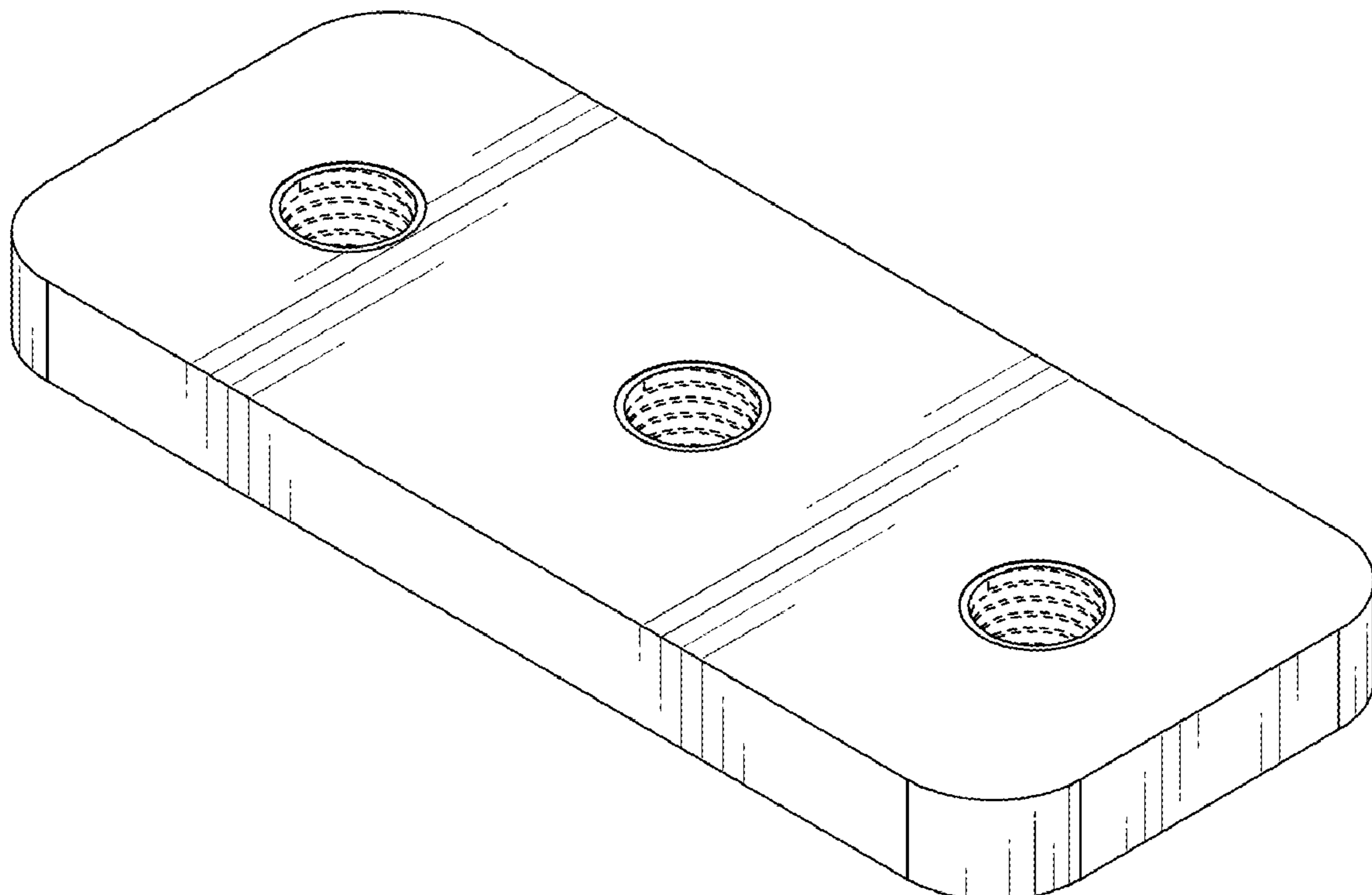
(57) **CLAIM**

The ornamental design for a canister block, as shown and described.

**DESCRIPTION**

FIG. 1 is a front-top perspective view of a canister block showing my new design;  
FIG. 2 is a front-bottom perspective view thereof;  
FIG. 3 is a front elevational view thereof where the rear elevational view is identical thereto;  
FIG. 4 is a left elevational view where the right elevational view is mirrored thereto;  
FIG. 5 is a top plan view thereof;  
FIG. 6 is a bottom plan view thereof;  
FIG. 7 is a cross sectional view taken along cutting lines 7-7 in FIG. 5; and,  
FIG. 8 is a magnified view taken along circle 8 in FIG. 7. The evenly dashed broken lines shown represent the portions of the canister block that form no part of the claimed design.

**1 Claim, 8 Drawing Sheets**



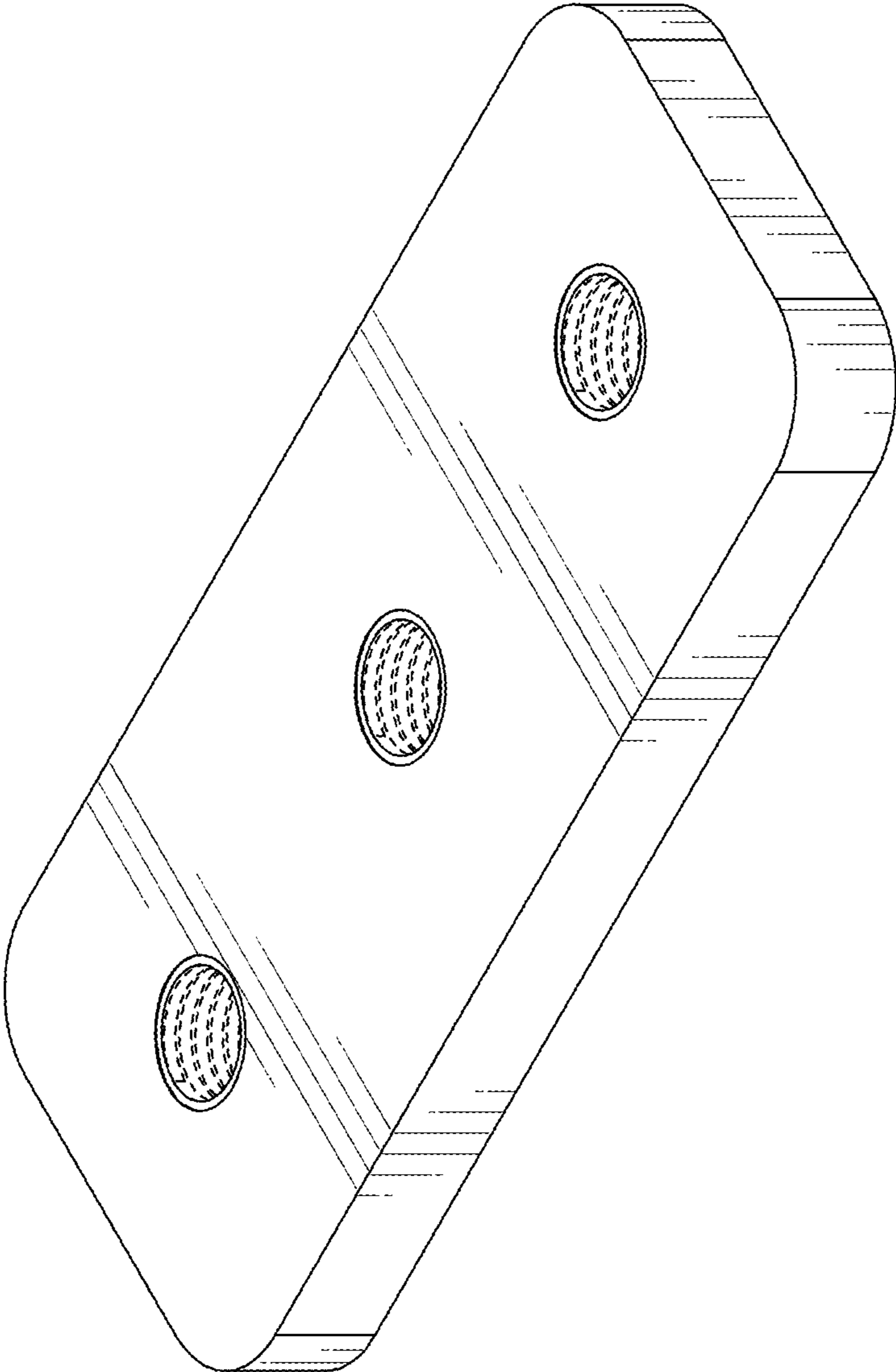


FIG. 1

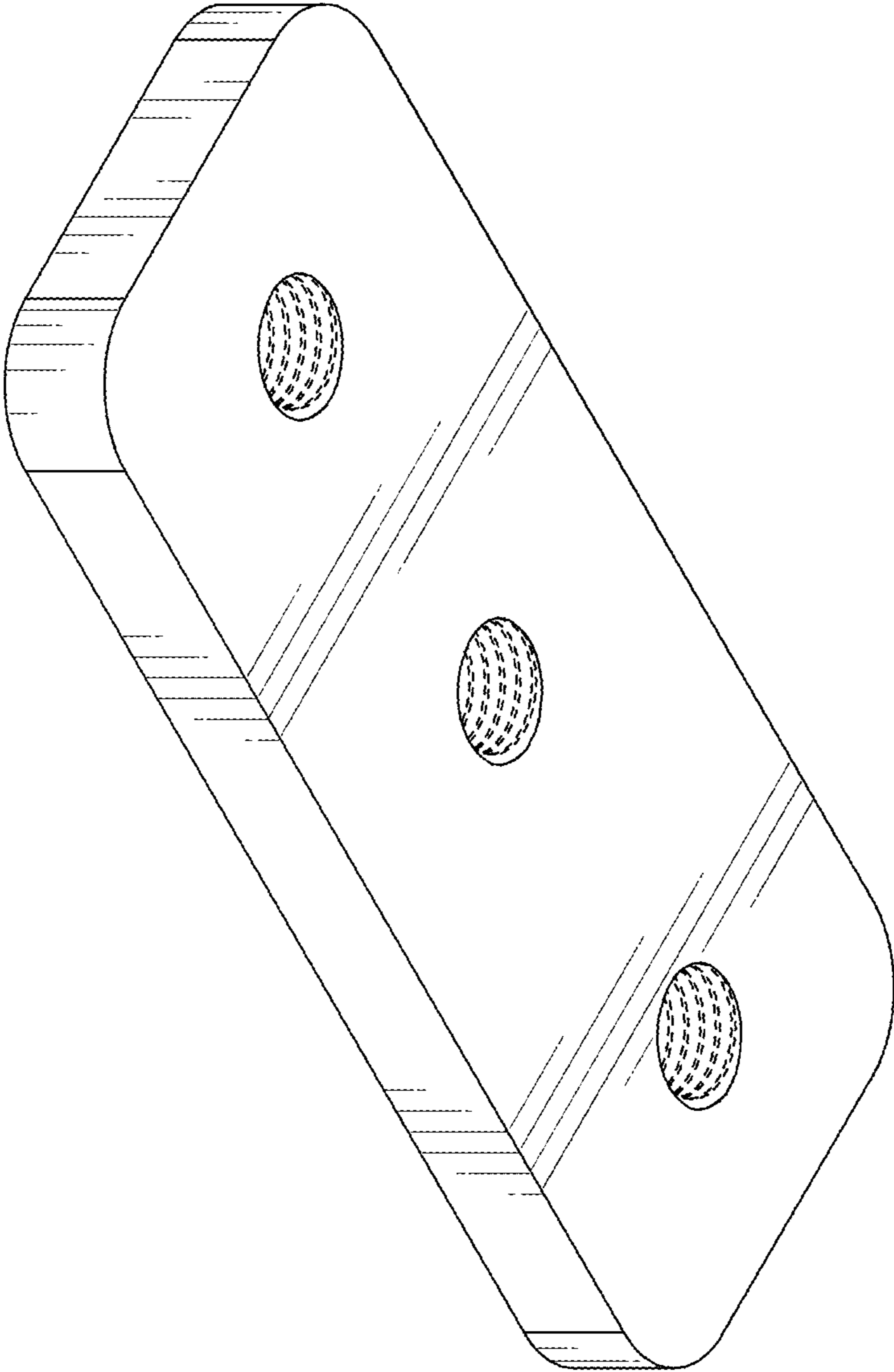


FIG. 2

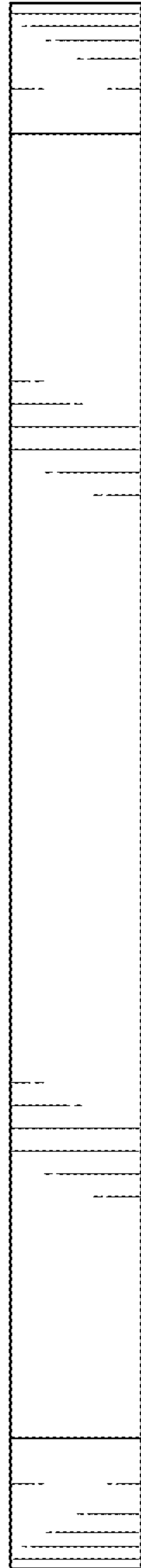


FIG. 3

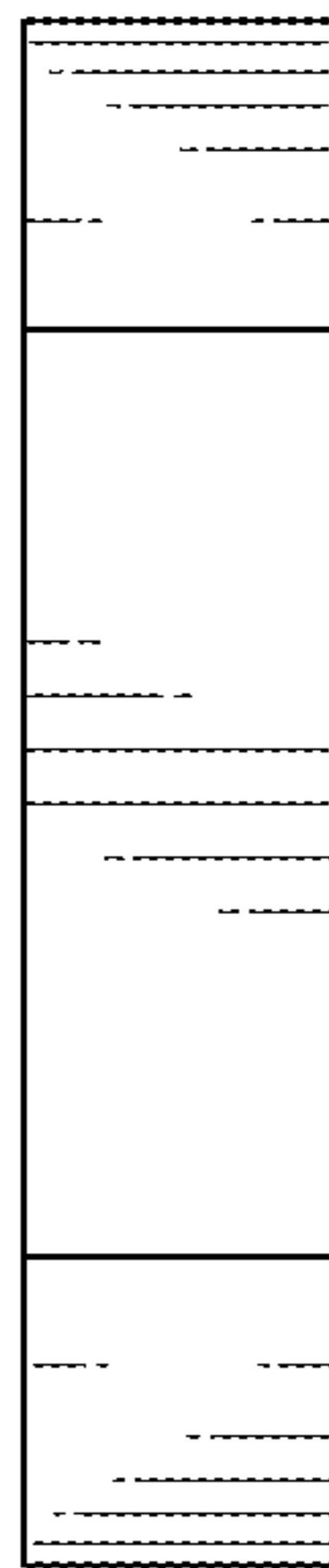


FIG. 4

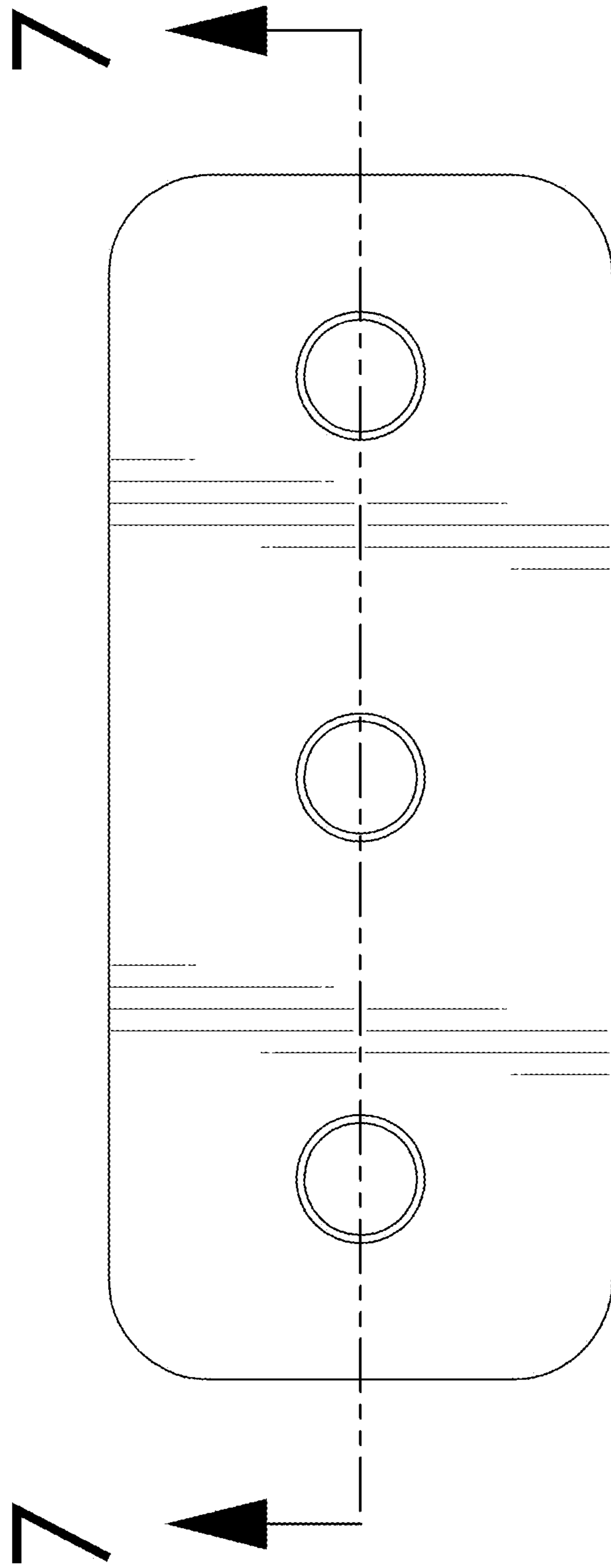


FIG. 5

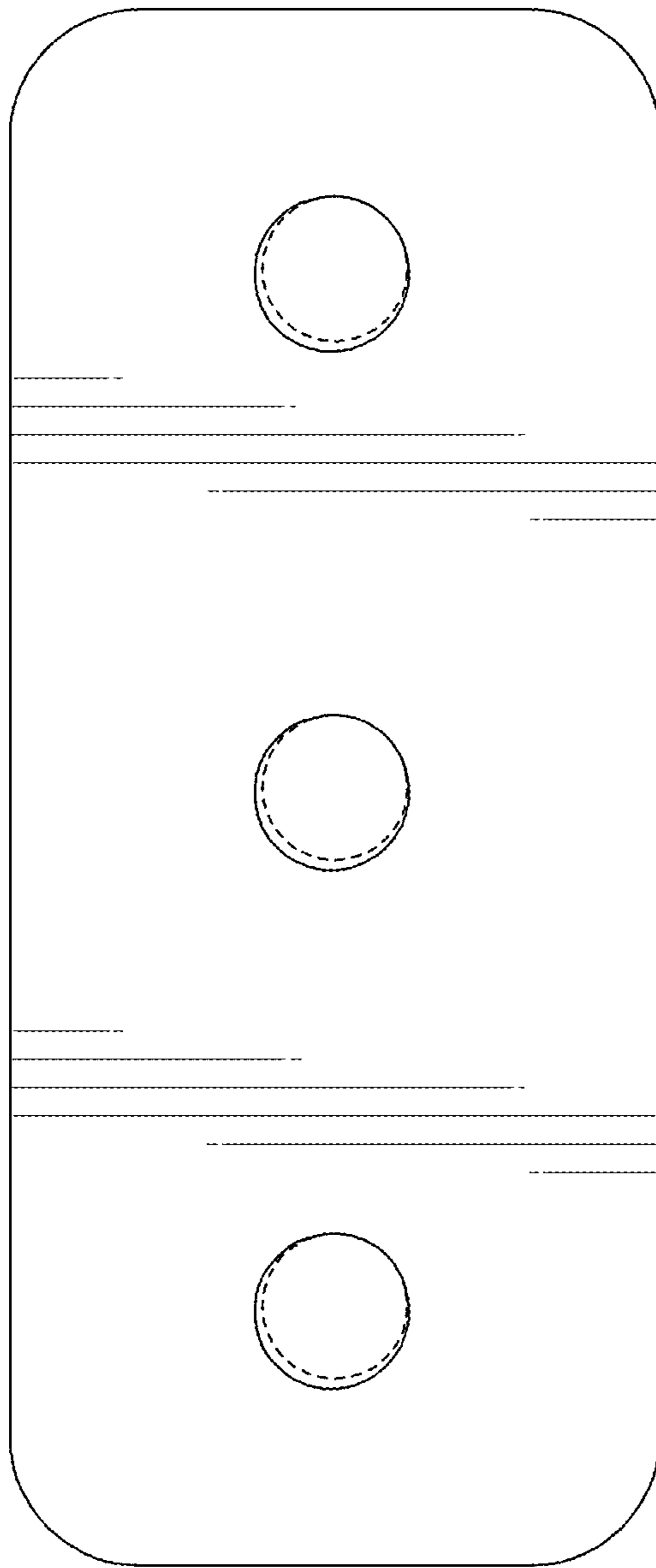


FIG. 6

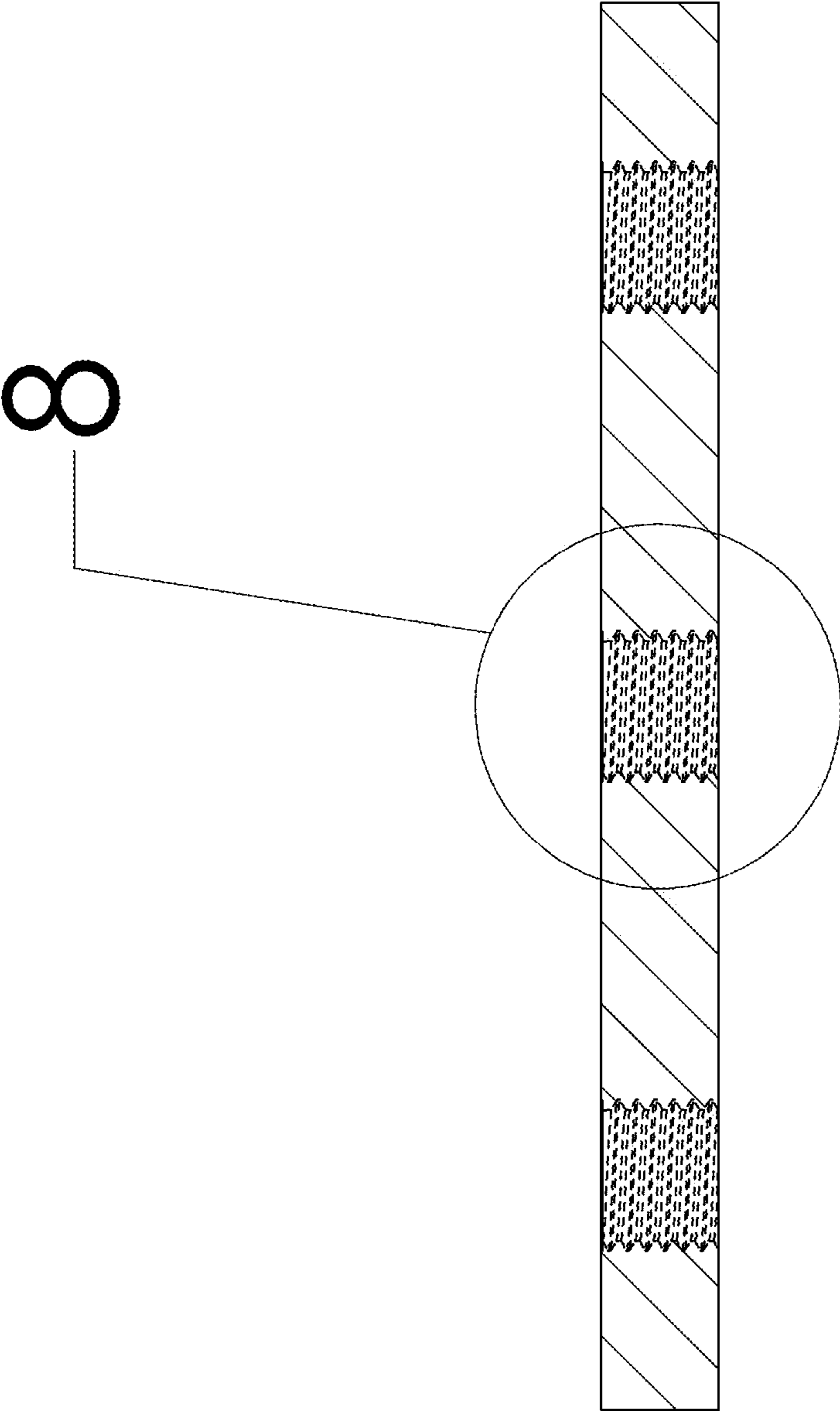


FIG. 7



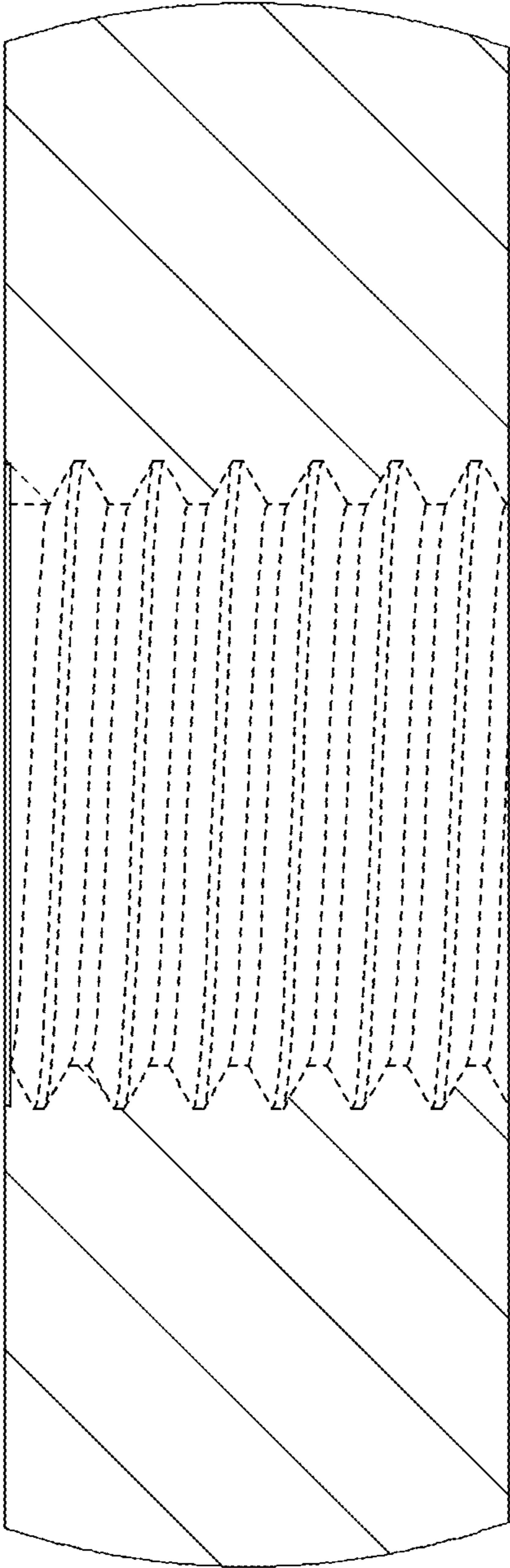


FIG. 8