



US00D952242S

(12) **United States Design Patent** (10) **Patent No.:** **US D952,242 S**
Jorgensen et al. (45) **Date of Patent:** **** May 17, 2022**

(54) **VAPORIZER DEVICE**

(71) Applicant: **Pax Labs, Inc.**, San Francisco, CA (US)

(72) Inventors: **Erik Thomas Jorgensen**, San Francisco, CA (US); **Andy Church**, Poway, CA (US); **Mary Jean Morse**, Poway, CA (US); **Romeo Dumpit**, Poway, CA (US); **John Hwang**, San Francisco, CA (US)

(73) Assignee: **PAX Labs, Inc.**, San Francisco, CA (US)

(**) Term: **15 Years**

(21) Appl. No.: **29/723,144**

(22) Filed: **Feb. 4, 2020**

(51) **LOC (13) Cl.** **27-02**

(52) **U.S. Cl.**
USPC **D27/162**

(58) **Field of Classification Search**
USPC D27/100, 101, 139, 141, 162, 163, 164, D27/165, 166, 167, 168, 169, 170, 171, D27/172, 173, 174, 175, 176, 177, 178, D27/179, 180, 181, 182, 183, 184, 185, D27/186, 187, 188, 189, 190, 191, 192, D27/193, 194, 196; D23/360, 362; D24/110, 110.4, 110.5, 110.6, 113
CPC A24F 40/10; A24F 40/40; A24F 40/46; A24F 40/44; A24F 40/50; A24F 40/485; A24F 40/60; A24F 40/90; A24F 40/53; A24F 40/70; A24F 40/51; A24F 40/05; A24F 40/48; A24F 40/57; A24F 40/65; A24F 40/20; A24F 47/002; A24F 40/30; A24F 40/95; A24F 47/004; A24F 13/14; A24F 1/32; A24F 40/00; A24F 40/49; A24F 42/60; A24F 7/04; A24F 9/16; A24F 47/008; A24F 40/42; A24F 47/00; A24F 15/015; A24F 1/02; A24F 2700/03; A24F 40/465; A24F 47/006; A24F 7/02;

A24F 13/00; A24F 15/01; A24F 15/12; A24F 15/14; A24F 15/18; A24F 40/85; A24F 42/00; A24F 42/10; A24F 42/20; A24F 7/00; A61M 11/005; A61M 11/042; A61M 11/041; A61M 15/06; A61M 2205/8206; A61M 15/025; A61M 11/001; A61M 11/02; A61M 2016/0021; A61M 2202/064; A61M 11/00; A61M 15/0085; A61M 15/009; A61M 15/00; A61M 15/0086; A61M 11/06;

(Continued)

(56) **References Cited**

U.S. PATENT DOCUMENTS

D558,060 S * 12/2007 Šir D9/687
D571,556 S * 6/2008 Raile D3/265

(Continued)

Primary Examiner — Marissa J Cash

Assistant Examiner — William B Melliar

(74) *Attorney, Agent, or Firm* — Mintz Levin Cohn Ferris Glovsky and Popeo, P.C.

(57) **CLAIM**

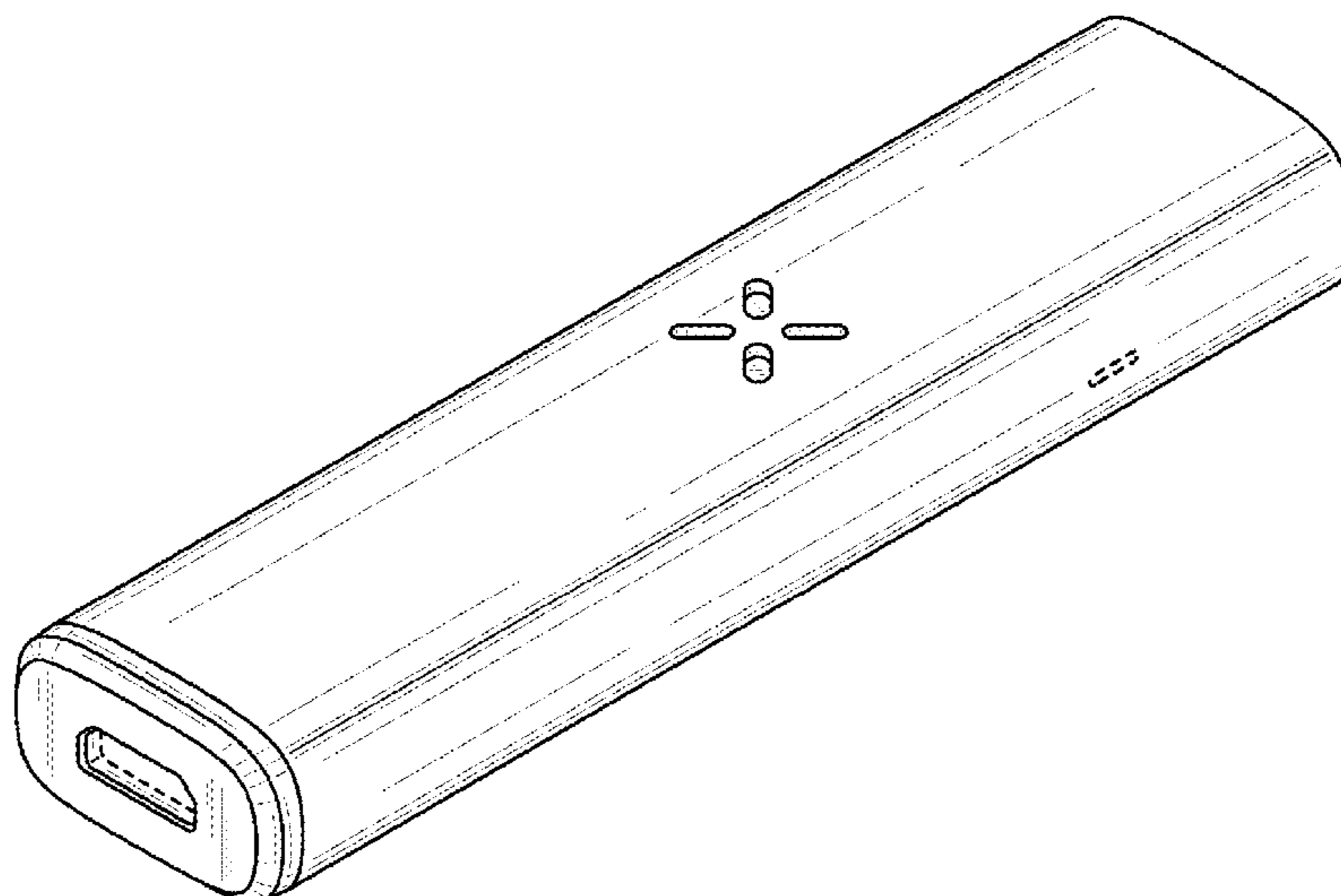
The ornamental design for a vaporizer device, as shown and described.

DESCRIPTION

FIG. 1 is a bottom, front, and right side perspective view of a vaporizer device of our design;
FIG. 2 is a top, rear, and right side perspective view thereof;
FIG. 3 is a front view thereof;
FIG. 4 is a rear view thereof;
FIG. 5 is a right side view thereof;
FIG. 6 is a left side view thereof;
FIG. 7 is a top view thereof; and,
FIG. 8 is a bottom view thereof.

The dash-dash broken lines illustrate portions of the vaporizer device that form no part of the claimed design.

1 Claim, 4 Drawing Sheets



(58) **Field of Classification Search**

CPC A61M 15/0018; A61M 2205/3569; A61M 2205/52; A61M 2205/6045; A61M 2205/6054; A61M 2205/6072; A61M 2205/70; A61M 2205/8262; A61M 2206/14; A61M 2206/16; A61M 2206/18; A61M 2207/00; A61M 2209/082; A61M 11/04; A61M 11/044; A61M 15/0001; A61M 15/0008; A61M 15/0016; A61M 15/0036; A61M 15/0041; A61M 15/0043; A61M 15/0045; A61M 15/0048; A61M 15/0066; A61M 15/02; A61M 16/0066; A61M 16/0627; A61M 16/147; A61M 16/201; A61M 2016/0015; A61M 2202/062; A61M 2205/075; A61M 2205/123; A61M 2205/128; A61M 2205/21; A61M 2205/273; A61M 2205/276; A61M 2205/3306; A61M 2205/3372; A61M 2205/583; A61M 2205/75; A61M 2205/7545; A61M 2205/8237; A61M 2205/8268; A61M 2205/84; A61M 2209/06; A61M 2209/10; A61M 2210/0612; A61M 2210/0618; A61M 2210/1039; A61M 2250/00; A61M 15/0021

See application file for complete search history.

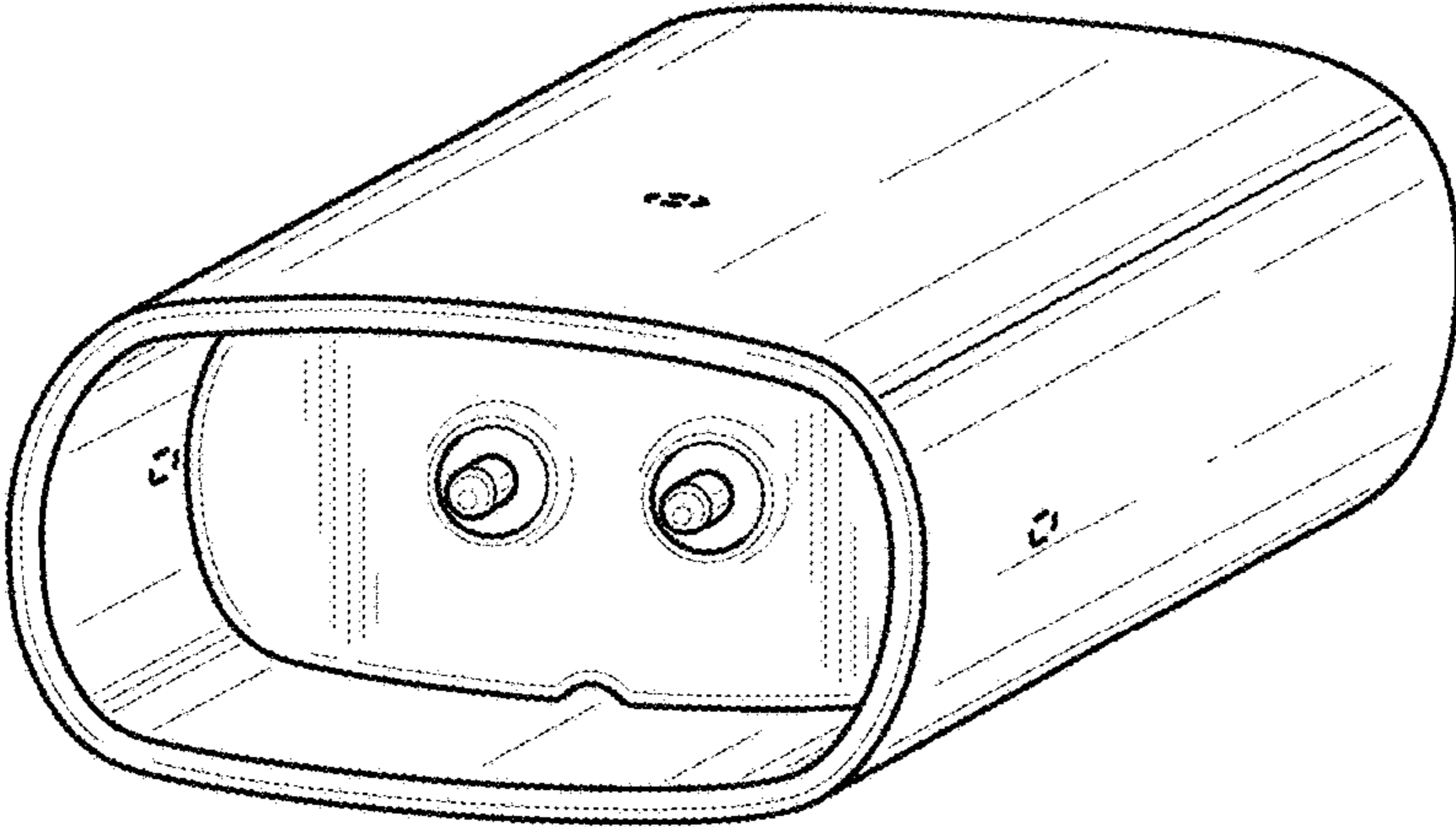
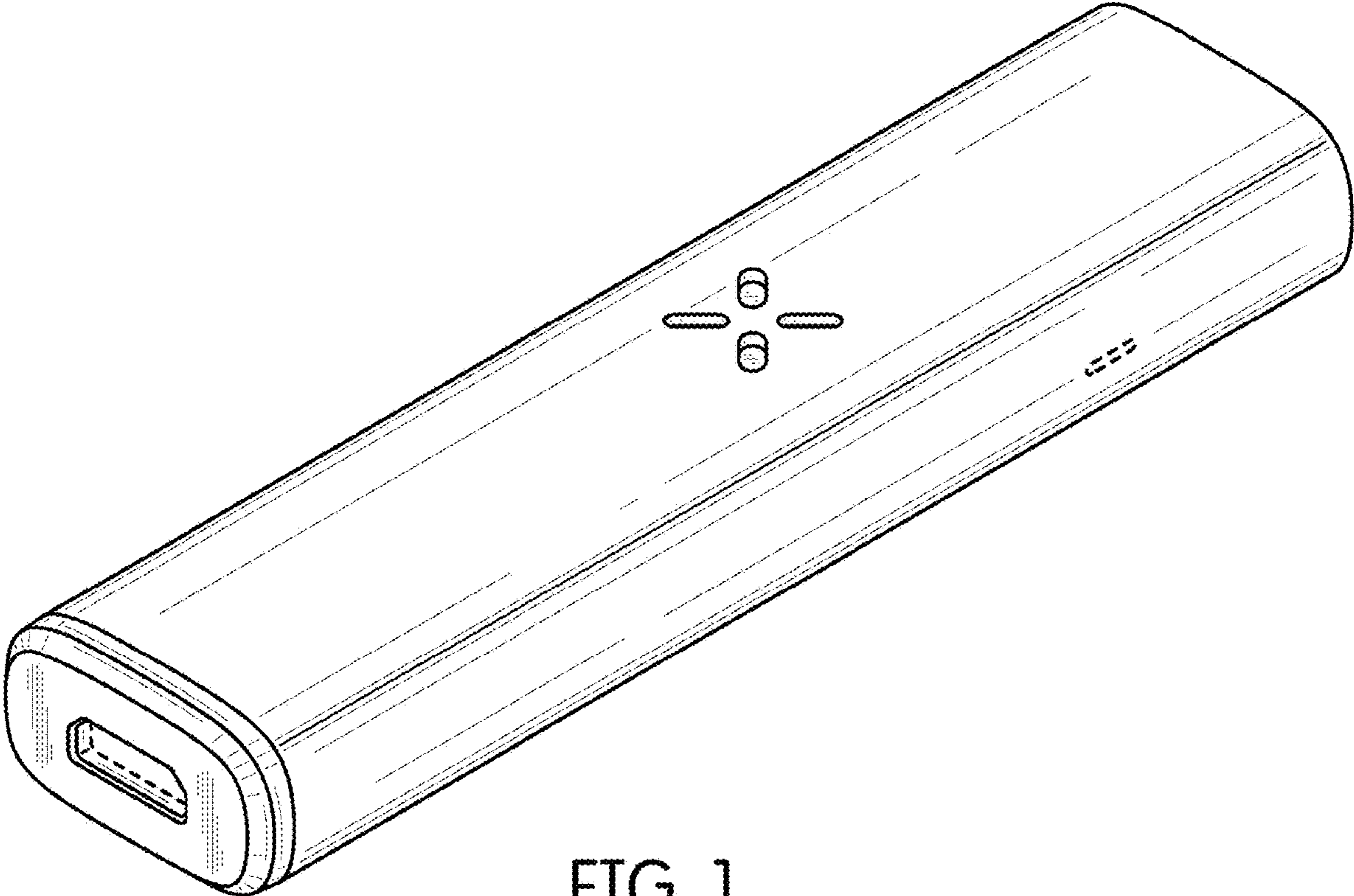
(56) **References Cited**

U.S. PATENT DOCUMENTS

D585,077 S * 1/2009 Sheba D14/434
 D645,817 S * 9/2011 Sasada D13/108

D656,496 S * 3/2012 Andre D14/341
 D751,984 S * 3/2016 Lin D13/103
 D762,003 S * 7/2016 Lomeli D27/163
 D776,338 S * 1/2017 Lomeli D27/163
 D819,881 S * 6/2018 Qiu D27/101
 D821,867 S * 7/2018 Oligschlaeger D9/422
 D825,102 S 8/2018 Bowen et al.
 D831,885 S * 10/2018 Wang D27/101
 D866,558 S * 11/2019 Shim D14/435
 D870,959 S * 12/2019 Leon Duque D27/162
 D875,306 S * 2/2020 Pan D27/167
 D898,278 S * 10/2020 Carlberg D27/162
 D898,991 S * 10/2020 Pan D27/162
 D909,667 S * 2/2021 Chen D27/162
 D913,583 S * 3/2021 Leon Duque D27/194
 D914,279 S * 3/2021 Jones D27/162
 D919,881 S * 5/2021 Carlberg D27/162
 D929,036 S * 8/2021 Leon Duque D27/194
 2013/0042865 A1 * 2/2013 Monsees A61M 11/048
 128/203.27
 2017/0231282 A1 * 8/2017 Bowen H05B 1/0227
 131/329
 2017/0258142 A1 * 9/2017 Hatton A24F 40/51
 2017/0259170 A1 * 9/2017 Bowen A24F 40/50
 2018/0000160 A1 * 1/2018 Taschner A24F 40/46
 2018/0077967 A1 * 3/2018 Hatton A61M 11/042
 2019/0373679 A1 * 12/2019 Fu A24F 7/00
 2019/0380388 A1 * 12/2019 Amorde A24F 40/65
 2019/0387795 A1 * 12/2019 Fisher H05B 1/0244
 2020/0245680 A1 * 8/2020 Williams A24F 40/51
 2020/0352249 A1 * 11/2020 Achtien A24F 40/65
 2021/0007407 A1 * 1/2021 Czapar A24F 40/65

* cited by examiner



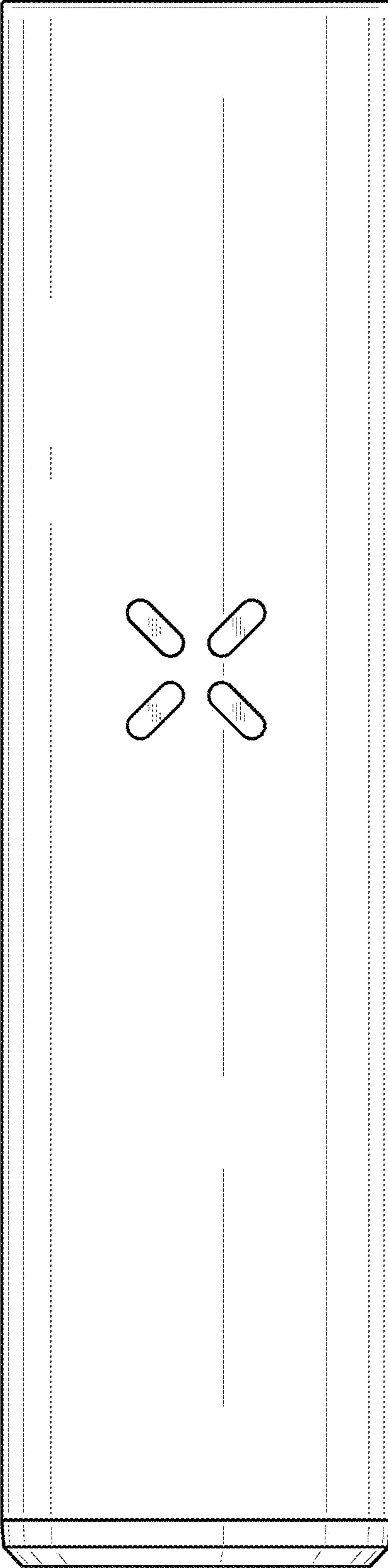


FIG. 3

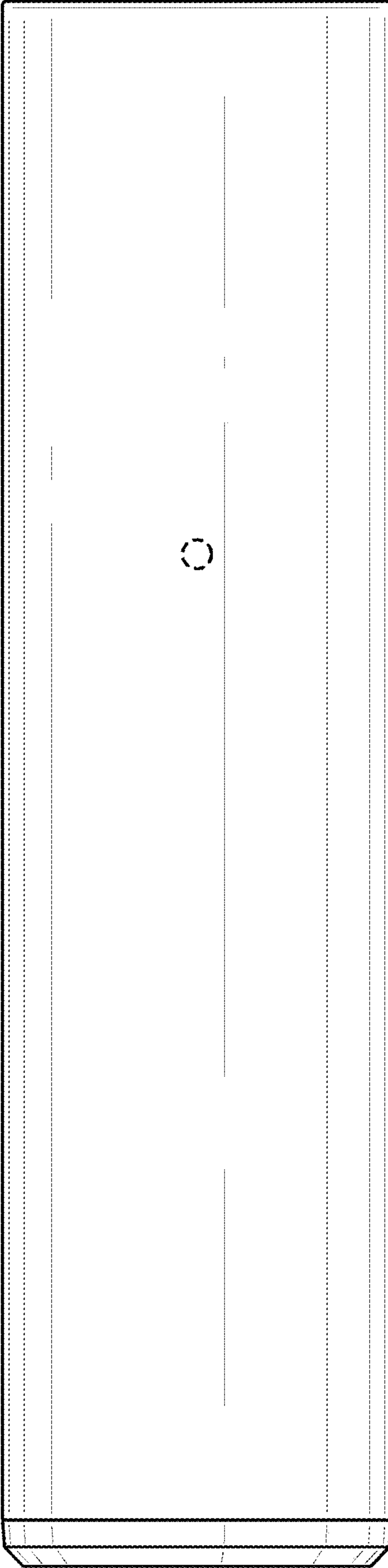


FIG. 4

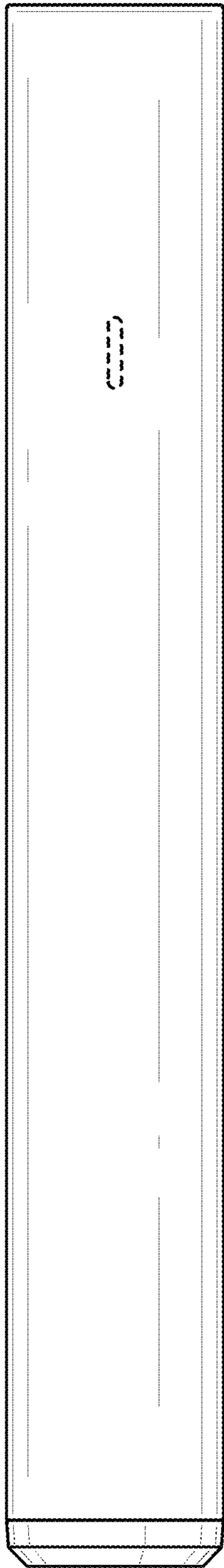


FIG. 5

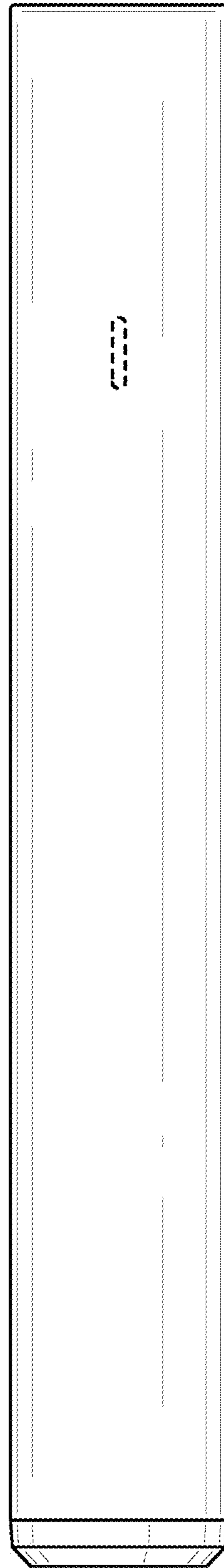


FIG. 6

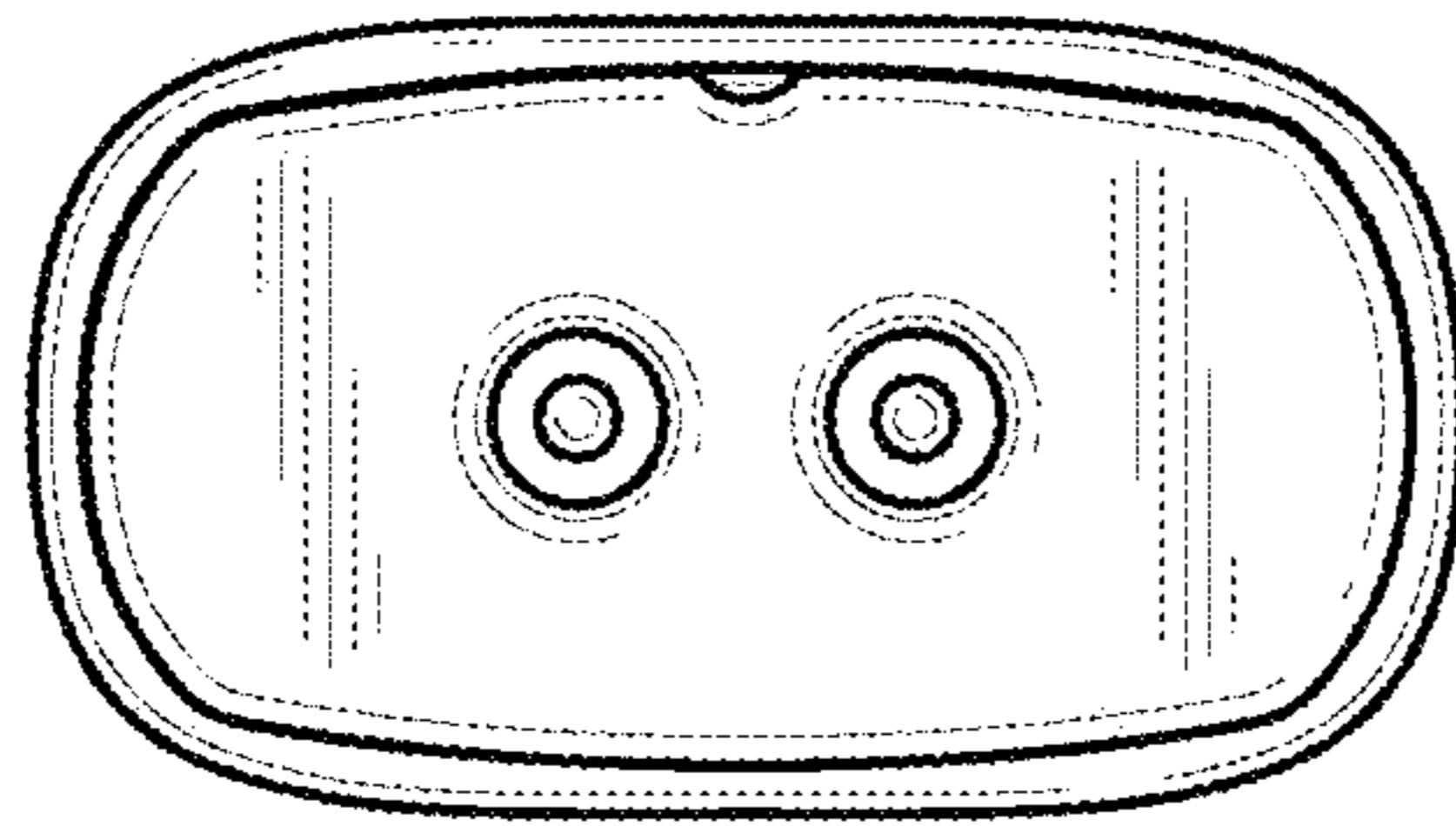


FIG. 7

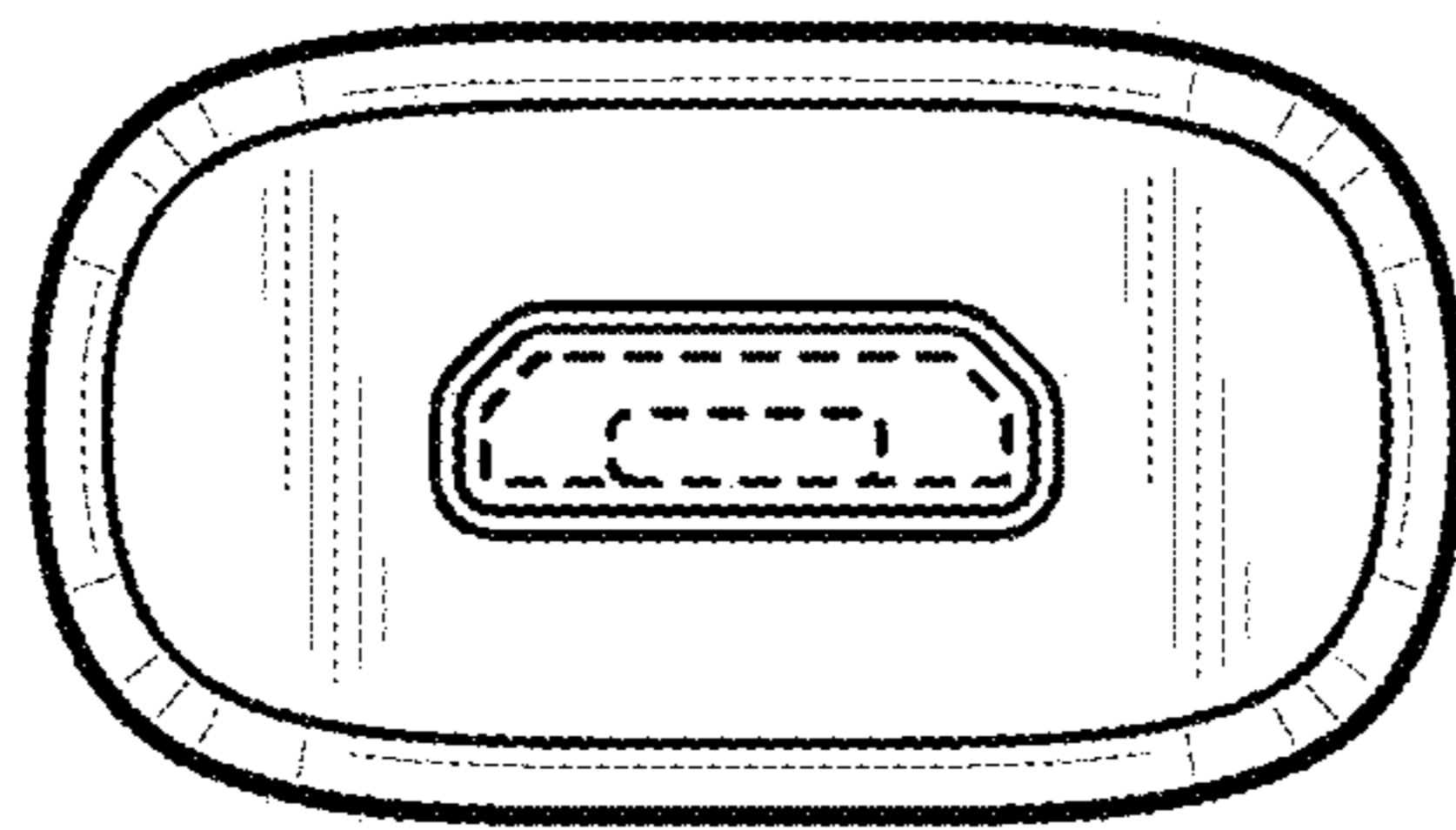


FIG. 8