



US00D952240S

(12) **United States Design Patent** (10) **Patent No.:** **US D952,240 S**
Ferrie et al. (45) **Date of Patent:** **** *May 17, 2022**

(54) **ELECTRONIC CIGARETTE**

(56) **References Cited**

(71) Applicant: **Nerudia Limited**, Liverpool (GB)

U.S. PATENT DOCUMENTS

(72) Inventors: **Kate Ferrie**, Liverpool (GB); **Edward Ross Shenton**, Liverpool (GB); **Jonathan Marchbank**, Liverpool (GB); **Thomas Sudlow**, Liverpool (GB); **Pete Lomas**, Liverpool (GB); **Nikhil Aggarwal**, Liverpool (GB); **Med Benyezzar**, Liverpool (GB); **Samantha Murray**, Liverpool (GB)

1,611,937 A * 12/1926 Nelson A45D 40/02
401/82
D242,152 S * 11/1976 Oto D27/159
(Continued)

(73) Assignee: **NERUDIA LIMITED**, Liverpool (GB)

OTHER PUBLICATIONS

(*) Notice: This patent is subject to a terminal disclaimer.

Pulze, published Jan. 22, 2019 [online] [retrieved Oct. 14, 2020], Available from Internet, URL <https://seekingalpha.com/article/4234783-imperial-brands-why-i-continue-to-buy-shares>.*

(**) Term: **15 Years**

Primary Examiner — Kevin K Rudzinski

(21) Appl. No.: **29/684,964**

(74) *Attorney, Agent, or Firm* — Brandon V. Zuniga; James R. Gourley; Carstens & Cahoon, LLP

(22) Filed: **Mar. 25, 2019**

(57) **CLAIM**

The ornamental design for an electronic cigarette, as shown and described.

(30) **Foreign Application Priority Data**

DESCRIPTION

Sep. 24, 2018 (EM) 005655776-0001
Sep. 24, 2018 (EM) 005655776-0002
Sep. 24, 2018 (EM) 005655776-0003
Sep. 24, 2018 (EM) 005655776-0004
Sep. 24, 2018 (EM) 005655776-0005
Sep. 24, 2018 (EM) 005655776-0006
Sep. 24, 2018 (EM) 005655776-0007
Sep. 24, 2018 (EM) 005655776-0008

FIG. 1 is a perspective view of an electronic cigarette showing the new design;
FIG. 2 is a front elevation view thereof;
FIG. 3 is a rear elevation view thereof;
FIG. 4 is a left side elevation view thereof;
FIG. 5 is an enlarged top plan view thereof;
FIG. 6 is an enlarged bottom plan view thereof;
FIG. 7 is a perspective view of the electronic cigarette shown in an open position; and,
FIG. 8 is a right side elevation view of the electronic cigarette.

(Continued)

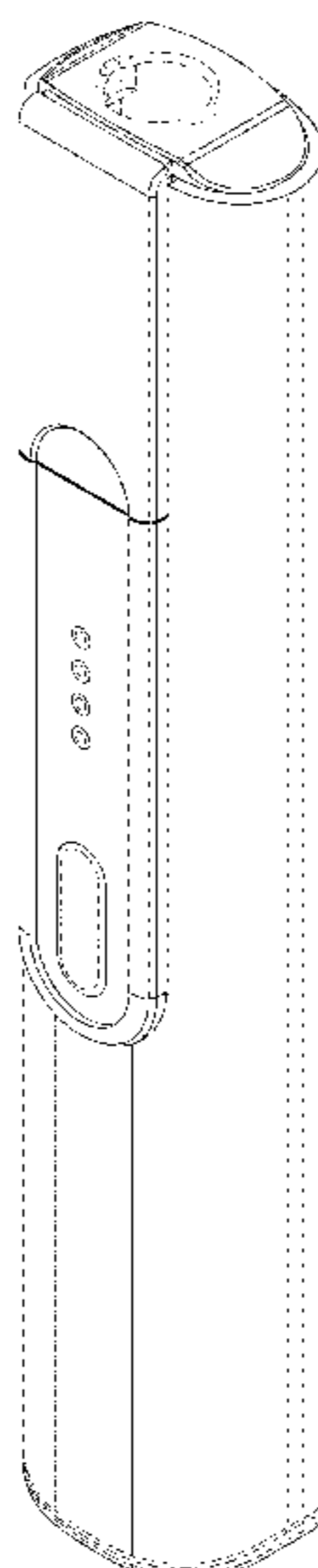
(51) **LOC (13) Cl.** **27-02**

(52) **U.S. Cl.**
USPC **D27/162**

(58) **Field of Classification Search**
USPC D27/100, 101, 139, 141, 148, 161–171,
D27/183, 185–193, 194, 154; D24/110,
(Continued)

In the Figures the portions of the electronic cigarette shown in broken lines form no part of the claimed design. Additionally, in FIGS. 1, 2, 5, 6 and 7, the regions that are depicted in any single Figure as completely enclosed by broken lines form no part of the claimed design.

1 Claim, 8 Drawing Sheets



(30) Foreign Application Priority Data

Sep. 24, 2018 (EM) 005655776-0009
 Sep. 24, 2018 (EM) 005655776-0010
 Sep. 24, 2018 (EM) 005655776-0011
 Sep. 24, 2018 (EM) 005655776-0012
 Mar. 12, 2019 (EM) 006305116-0001

(58) Field of Classification Search

USPC D24/110.5, 129, 113, 112; D13/108, 144,
 D13/103, 119, 146, 168; D23/360,
 D23/364-366, 202, 262, 209, 207;
 D19/66, 73, 115, 123, 173, 177, 923,
 D19/925-929, 934, 161-166, 194-196;
 D14/480.5, 480.1, 480.3, 483, 484.1, 420,
 D14/426, 250, 137, 203.1, 203.3, 203.7,
 D14/218, 254, 411, 433-435, 435.1;
 D4/121; D9/500, 503, 504, 516, 517,
 D9/522, 523, 530, 531, 560, 444;
 D11/143, 156, 146, 54, 152, 149, 144;
 D28/85, 4, 7, 88, 90, 73-76, 77; D3/201,
 D3/11, 13, 17, 273, 274, 300
 CPC A24F 40/00; A24F 40/40; A24F 40/42;
 A24F 40/05; A24F 40/46; A24F 47/002;
 A24F 47/008; A24D 1/14; A24D 1/042;
 A24D 1/02; G06F 3/03545

See application file for complete search history.

(56) References Cited

U.S. PATENT DOCUMENTS

D248,047 S * 5/1978 Rappoport D27/154
 D251,072 S * 2/1979 Stuetzer D27/154
 D259,062 S * 4/1981 Stutzer D27/154

D260,690 S * 9/1981 Stutzer D27/154
 D260,941 S * 9/1981 Figur D27/154
 D295,537 S * 5/1988 Davidson D19/117
 D301,643 S * 6/1989 Bakic D28/85
 D352,638 S * 11/1994 Hsu D27/154
 D447,598 S * 9/2001 Afrouz D27/154
 D552,791 S * 10/2007 Toffler D27/161
 D645,816 S * 9/2011 Sasada D13/108
 D721,202 S * 1/2015 Liu D27/101
 D722,166 S * 2/2015 Buehl D24/174
 D750,320 S * 2/2016 Verleur H05B 3/06
 D27/163
 D770,676 S * 11/2016 Bennett D27/101
 D780,909 S * 3/2017 Burkett D24/113
 D781,293 S * 3/2017 Mitchell D14/411
 D790,126 S * 6/2017 Bennett D27/101
 D827,127 S * 8/2018 Donnelly D24/113
 D832,255 S * 10/2018 Jung D14/411
 D857,192 S * 8/2019 Burkett D24/112
 D860,516 S * 9/2019 Qiu D27/101
 D861,240 S * 9/2019 Qiu D27/101
 D870,375 S * 12/2019 Patil D27/194
 D870,959 S * 12/2019 Leon Duque D27/162
 D883,382 S * 5/2020 King D19/163
 D889,034 S * 6/2020 Stewart D27/162
 D892,800 S * 8/2020 Xu D14/411
 D894,479 S * 8/2020 Cheung D27/162
 D899,676 S * 10/2020 Liu D27/162
 D913,583 S * 3/2021 Leon Duque D27/194
 D919,881 S * 5/2021 Carlberg D27/162
 D926,355 S * 7/2021 Liu D27/162
 D929,036 S * 8/2021 Leon Duque D27/194
 2011/0221712 A1 * 9/2011 Liang G06F 3/03545
 345/179
 2017/0064997 A1 * 3/2017 Murison B67D 7/62
 2017/0099878 A1 * 4/2017 Murison H02J 7/0044
 2020/0237007 A1 * 7/2020 Qiu H01M 10/4257
 2021/0204614 A1 * 7/2021 Ferrie A24F 40/60

* cited by examiner

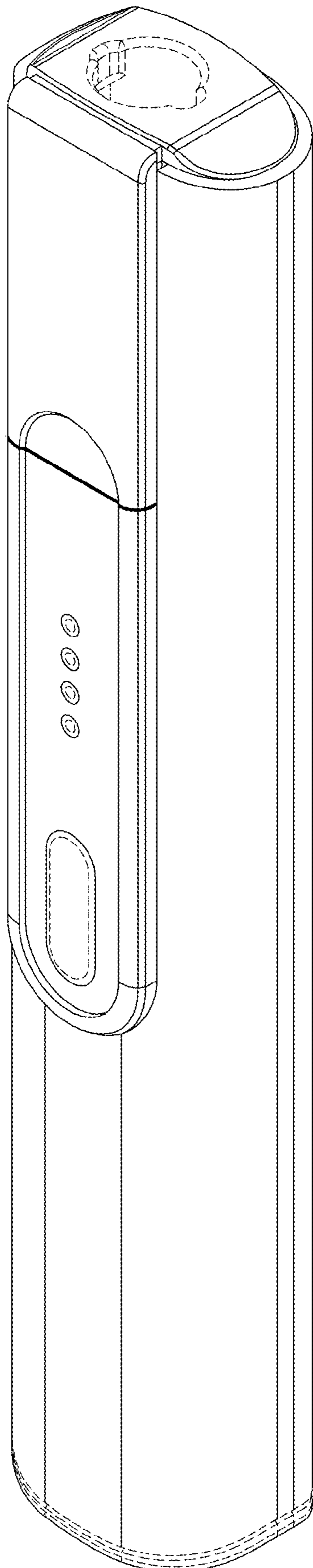


FIG. 1

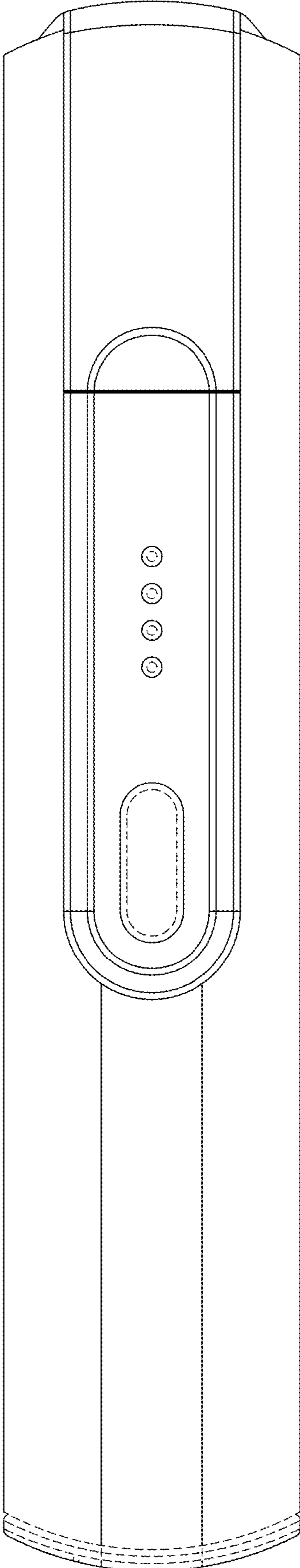


FIG. 2

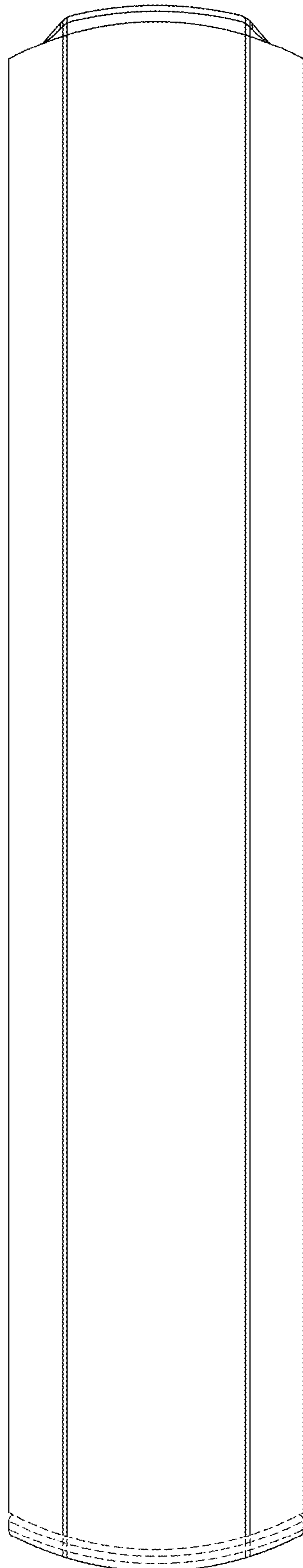


FIG. 3

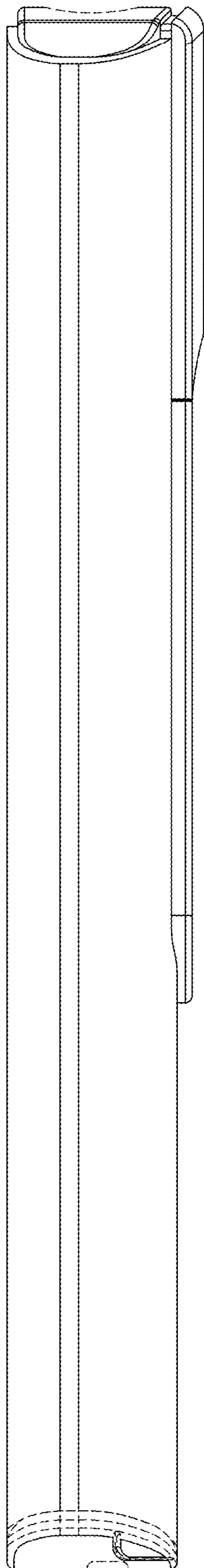


FIG. 4

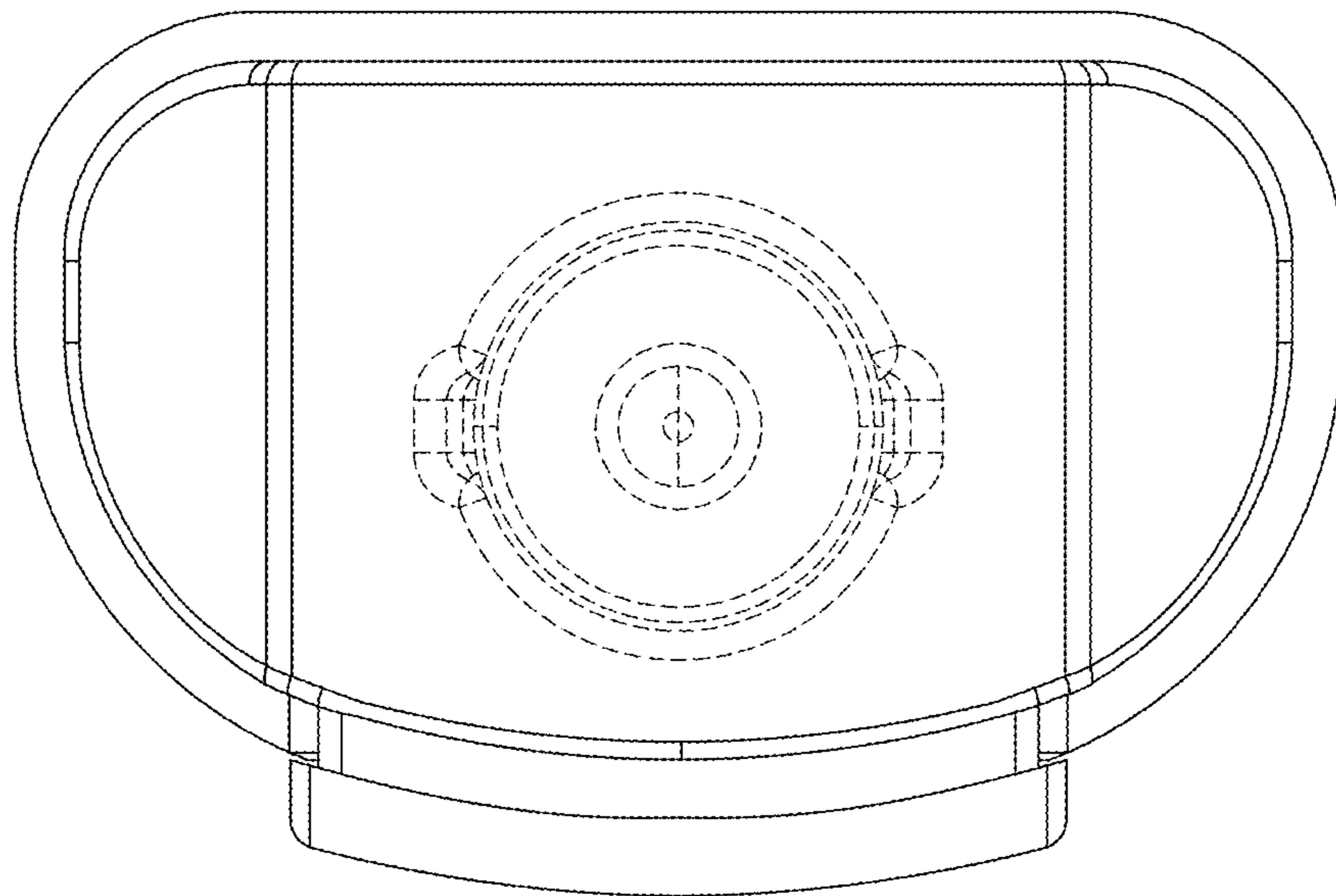


FIG. 5

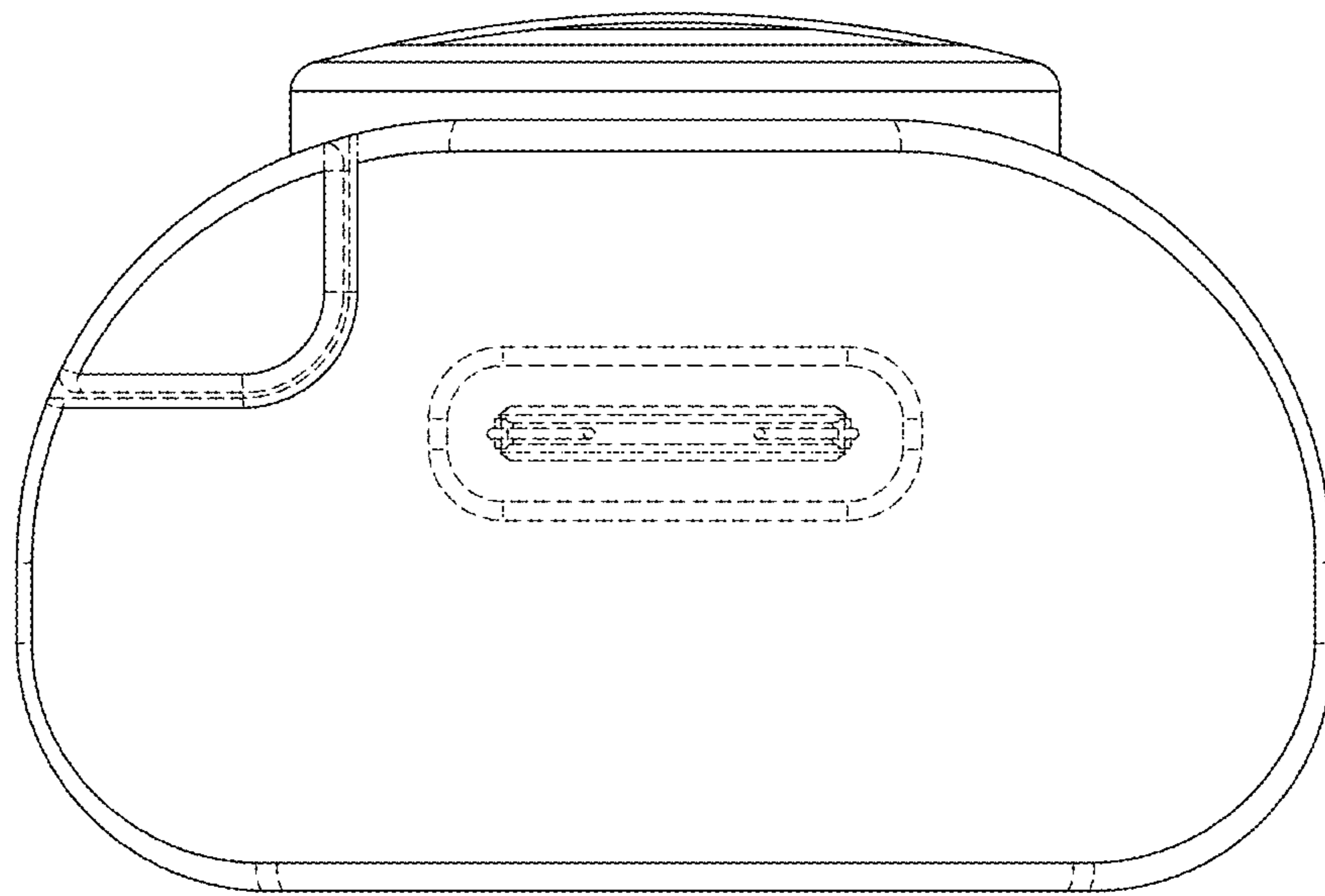


FIG. 6

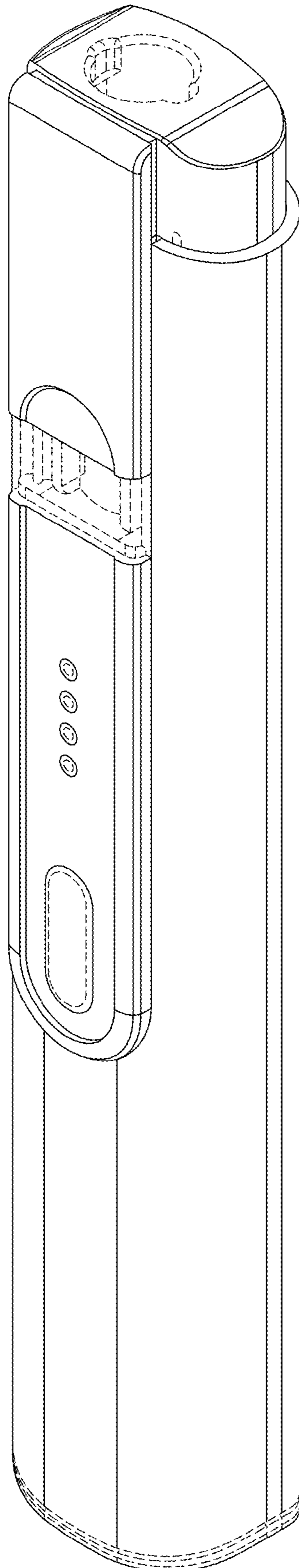


FIG. 7

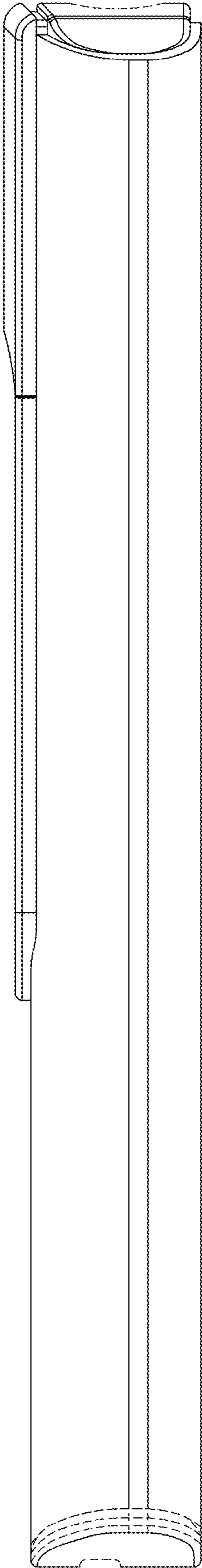


FIG. 8